

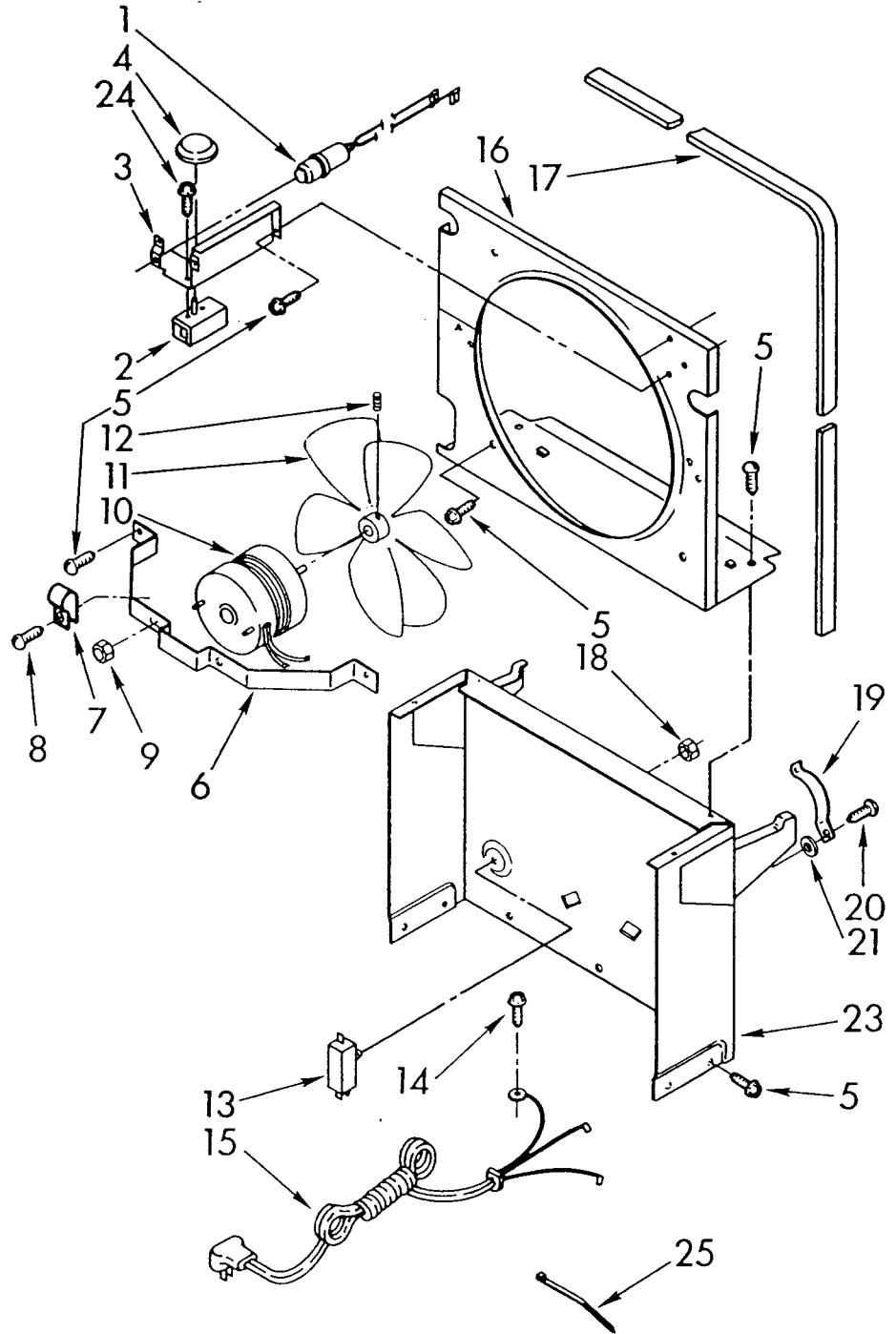
PARTS
LIST
FOR



DEHUMIDIFIER

MODEL
AD0202XM2

AIR FLOW AND CONTROL PARTS



11-88 Litho in U.S.A.

Whirlpool CORPORATION
Benton Harbor, Michigan.
© 1988 WHIRLPOOL CORPORATION



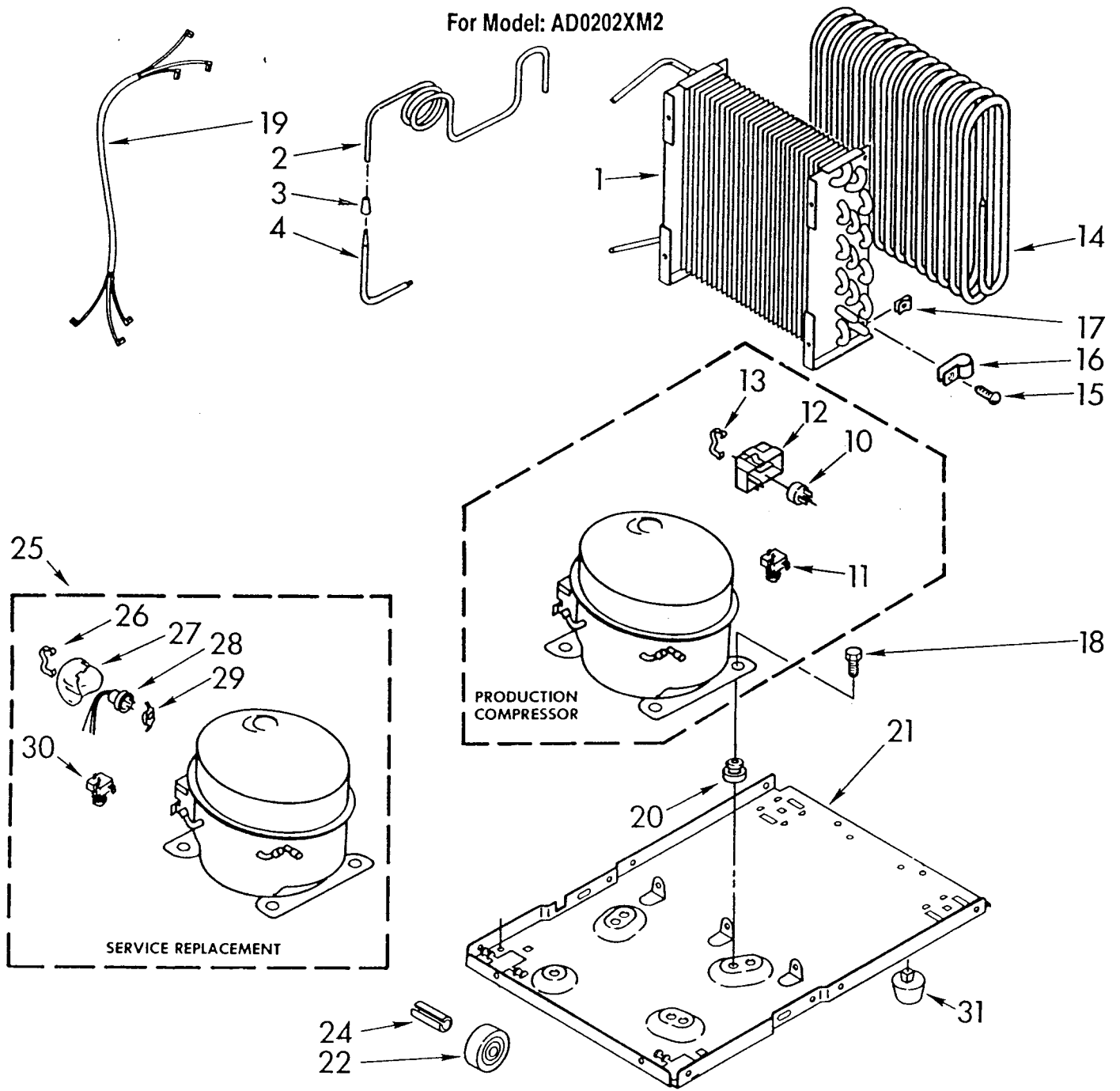
Part No. 884600

765-F-12

1	1155666	Light, Control
2	1155848	Humidistat, Control
3	951285	Bracket, Control
4	998859	Knob, Humidistat Control
5	488624	Screw, Sm #8 x 3/8A
6	998777	Bracket, Fan Motor Mounting
7	488946	Clamp, Tube
8	487910	Screw, 8 x 1/2A
9	488130	Nut, Fan Motor 8-32 (2)
10	1156859	Motor, Fan
11	949645	Blade, Fan
12	488035	Screw, Set 1/4-28 x 5/16
13	998783	Switch, Water Level Control
14	487871	Screw, 8-32 x 3/8
15	1155670	Cord, Appliance
16	998779	Plate, Orifice
17	998802	Seal
18	489001	Palnut, 3/8-32
19	998730	Spring, Water Level
20	488480	Screw, SM8 x 1/2A
21		Washer (Repair)
	489083	.030 Thickness
	489091	.045 Thickness
	489029	.060 Thickness
23	998744	Support
24	145450	Screw, 8 x 1/4 (2)
25	602851	Tie, Cable

UNIT PARTS

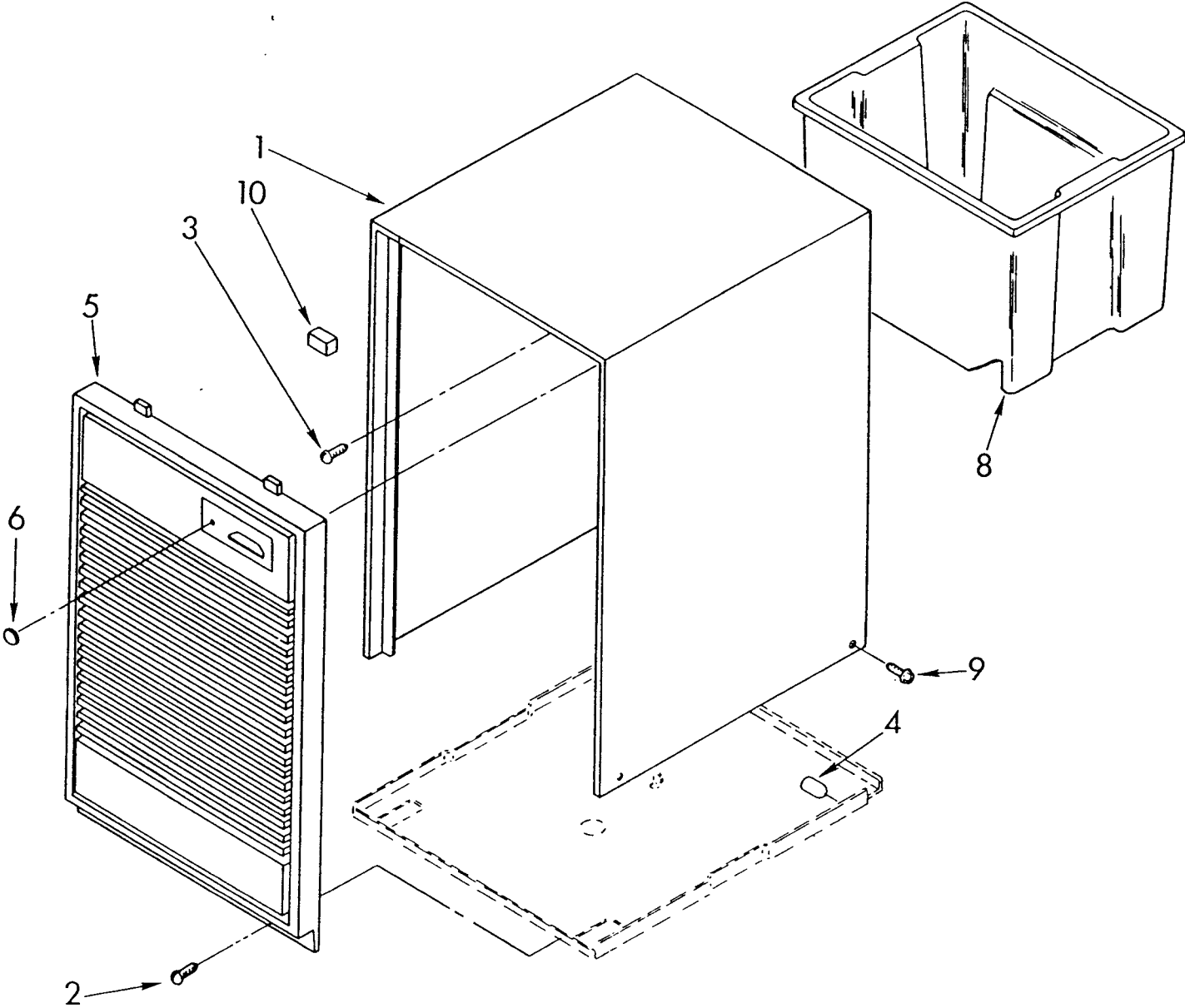
For Model: AD0202XM2



1	949921	Condenser
2	1157397	Tube, Restrictor (Length 28.0")
3	474013	Strainer, Outlet Tube
4	949896	Tube, Outlet (Includes Item 3)
10	1156818	Overload, Protector
11	1156814	Relay, Start
12	1157852	Cover, Terminal
13	938384	Retainer, Cover
14	1157554	Evaporator
15	487910	Screw, SM#8 x 1/2 (4)
16	488946	Clamp, Tube (4)
17	486197	Nut, Speed (4)
18	488400	Screw, 1/4-28 x 1" (4)
19	484136	Harness, Wire
20	1156749	Grommet (4)
21	950359	Base
22	998726	Roller (2)
24	489015	Roll Pin (2)
25	485781	Compressor, Service (Complete Assembly)
26	549342	Retainer, Cover
27	549336	Cover, Terminal
28	649842	Overload, Protector
29	549086	Spring, Overload
30	549500	Relay
31	951886	Glide (2)

CABINET PARTS

For Model: AD0202XM2



FOR ORDERING INFORMATION REFER TO PARTS PRICE LIST

1	998821	Cabinet
2	489120	Screw, 8-32 x 1/2 (2)
3	489073	Screw, SM #8 x 3/8 (2)
4	998869	Thread Cap
5	950269	Grille, Front
6	998846	Light Lens
8	951901	Pan, Condensate
9	489016	Screw, TC 8-32 x 3/8 (4)
10	948584	Spacer, Block

Following Parts Not Illustrated And Optional Parts Not Included

646753	Cup, Condensate Pan
647338	Washer, Condensate Pan
485426	Paint, Touch-Up Gray Lacquer (1/2 Pint)
212643	Sealer, Permagum (4 - 12" Strips)
799833	Epoxy, Tube (Aluminum Repair)
505168	Tape, No Drip (30') Valve, Access
978025	1/4" Tube O.D.
978026	5/16" Tube O.D.
978027	3/8" Tube O.D.
978028	1/2" Tube O.D.
978029	5/8" Tube O.D.
978029	3/4" Tube O.D.
978865	Seal, Ring Access Valve (20 - Pack)

Literature Parts

LIT1157391	Sheet, Tech And Wiring Diagram
LIT1156849	Guide, Use And Care
LIT884600	List, Repair Parts