

This Owner's Manual is provided and hosted by [Appliance Factory Parts](#).



# WHIRLPOOL AD0202XV0 Owner's Manual

[Shop genuine replacement parts for WHIRLPOOL  
AD0202XV0](#)



[Find Your WHIRLPOOL Dehumidifier Parts - Select From 309 Models](#)

----- Manual continues below -----

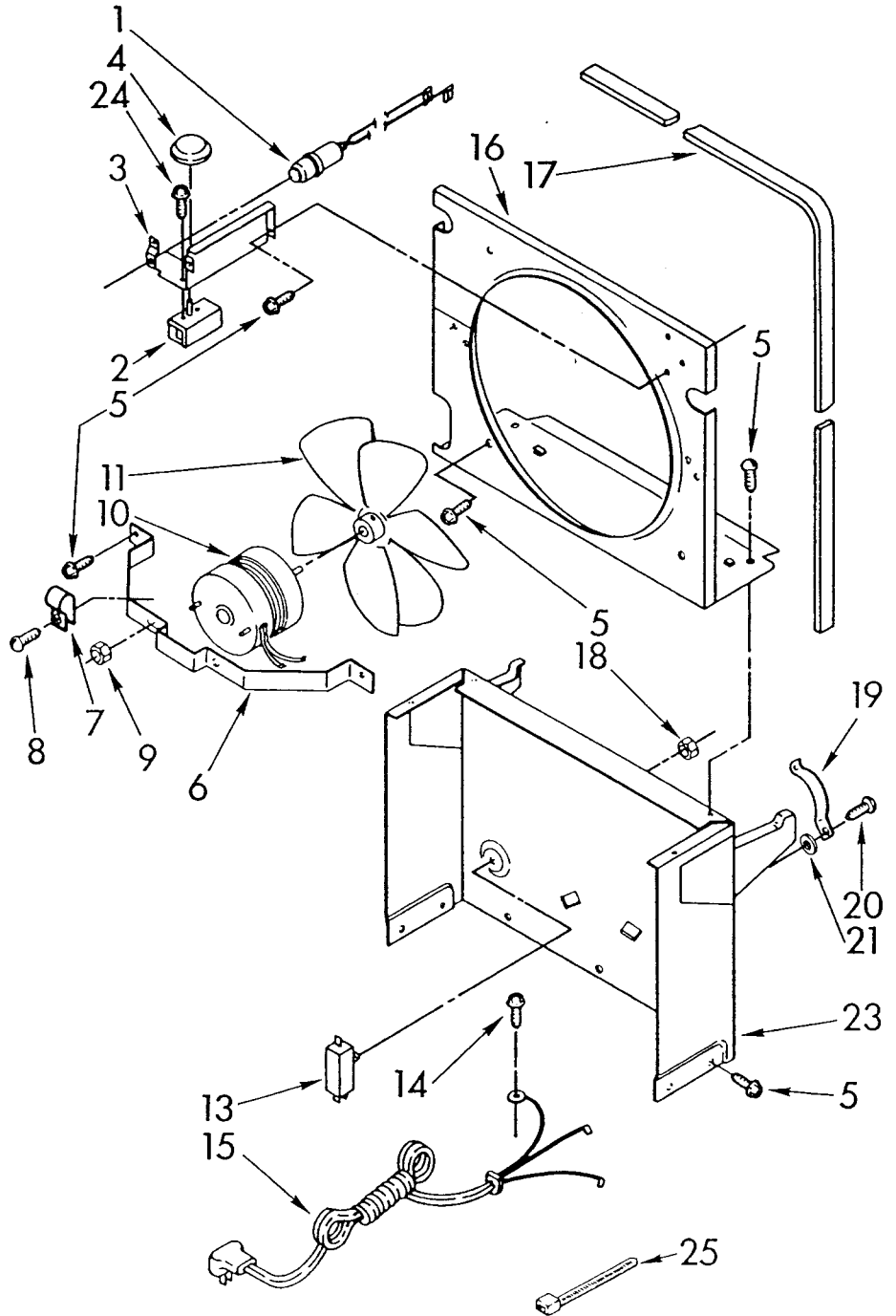
**PARTS  
LIST  
FOR**



**DEHUMIDIFIER**

**MODEL**  
**AD0202XV0**

**AIR FLOW AND CONTROL PARTS**



7-88 Litho in U.S.A.

**Whirlpool CORPORATION**  
Benton Harbor, Michigan.  
© 1988 WHIRLPOOL CORPORATION

748-C-12

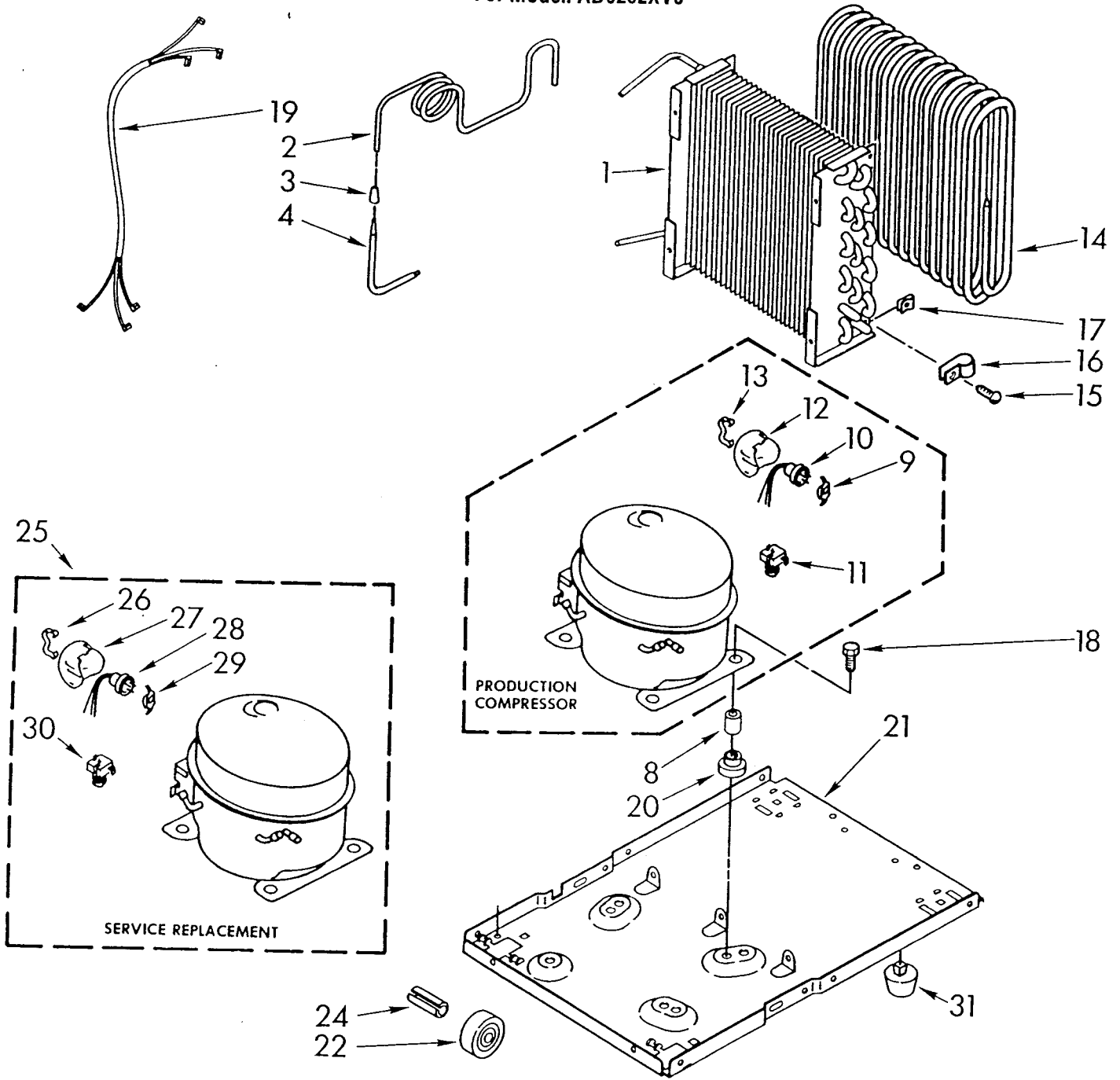


Part No. 879856

1	1155666	Light, Control
2	1155848	Humidistat, Control
3	951285	Bracket, Control
4	998859	Knob, Control
5	488624	Screw, 8 x 3/8
6	998777	Bracket, Motor
7	488946	Clamp, Tube
8	487910	Screw, 8 x 1/2
9	488130	Nut, 8-32 (2)
10	1156859	Motor, Fan
11	949645	Blade, Fan
13	998783	Switch, Water Level Control
14	487871	Screw, 8-32 x 3/8
15	1155670	Cord, Appliance
16	998779	Plate, Orifice
17	998802	Seal
18	489001	Palnut, 3/8-32
19	998730	Spring, Water Level
20	488480	Screw, SM8 x 1/2A
21		Washer (Repair)
	489083	.030 Thickness
	489091	.045 Thickness
	489029	.060 Thickness
23	998744	Support
24	145450	Screw, 8 x 1/4 (2)
25	602851	Tie, Cable

# UNIT PARTS

For Model: AD0202XV0

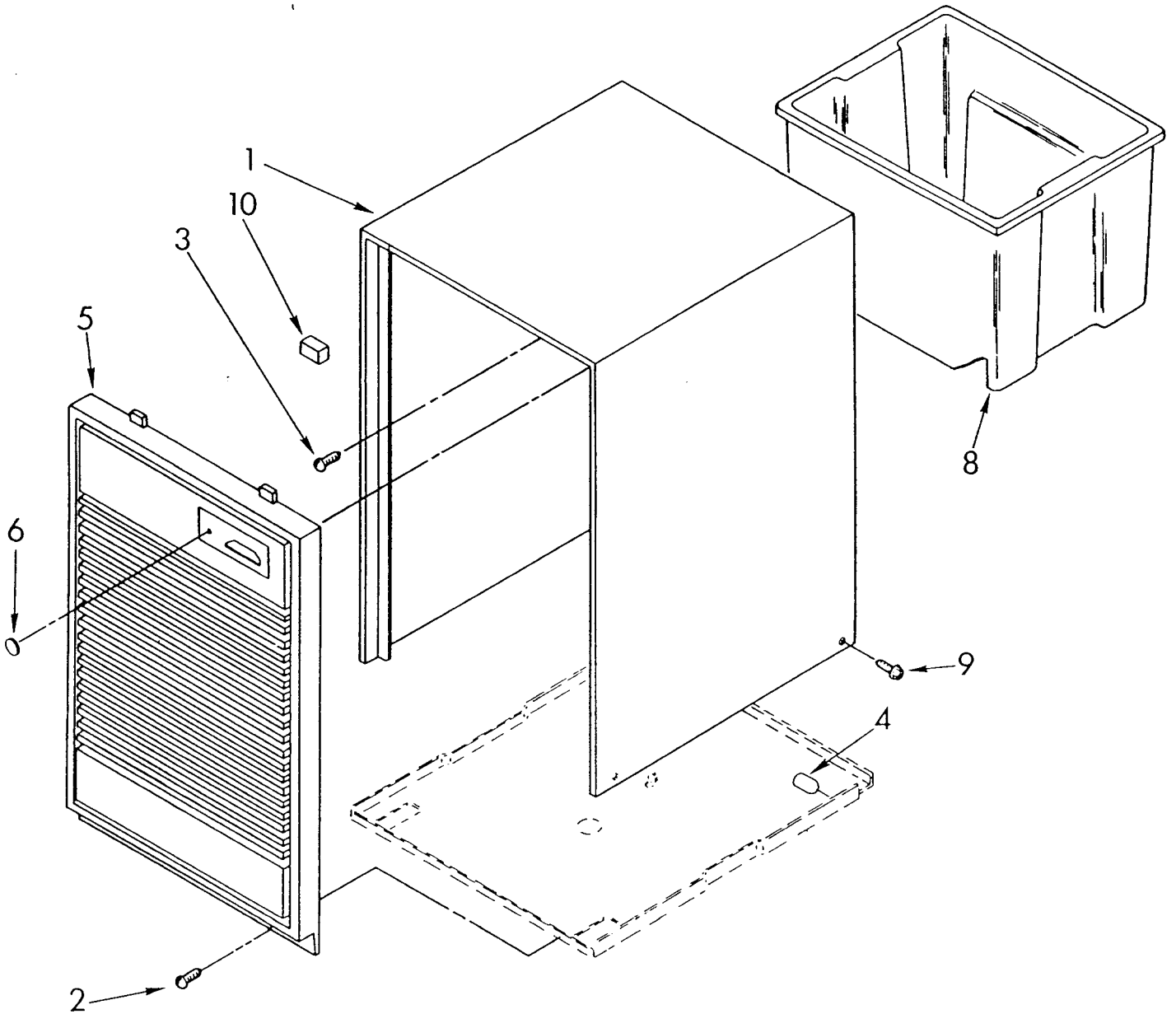


FOR ORDERING INFORMATION REFER TO PARTS PRICE LIST

1	949921	Condenser
2	948793	Tube, Restrictor (Length 35.0")
3	474013	Strainer, Outlet Tube
4	949896	Tube, Outlet (Includes Item 3)
8	646498	Sleeve (4)
9	950061	Spring, Overload
10	950234	Overload, Protector
11	950235	Relay, Start
12	950055	Cover, Terminal
13	950056	Retainer, Cover
14	996604	Evaporator
15	487910	Screw, SM#8 x 1/2 (4)
16	488946	Clamp, Tube (4)
17	486197	Nut, Speed (4)
18	488400	Screw, 1/4-28 x 1" (4)
19	484136	Harness, Wire
20	646499	Grommet (4)
21	950359	Base
22	998726	Roller (2)
24	489015	Roll Pin (2)
25	485781	Compressor, Service (Complete Assembly)
26	549342	Retainer, Cover
27	549336	Cover, Terminal
28	649842	Overload, Protector
29	549086	Spring, Overload
30	549500	Relay
31	951886	Glide (2)

# CABINET PARTS

For Model: AD0202XV0



FOR ORDERING INFORMATION REFER TO PARTS PRICE LIST

1	998821	Cabinet
2	489120	Screw, 8-32 x 1/2 (2)
3	489073	Screw, SM #8 x 3/8 (2)
4	998869	Thread Cap
5	950269	Grille, Front
6	998846	Light Lens
8	951901	Pan, Condensate
9	489016	Screw, TC 8-32 x 3/8 (4)
10	948584	Spacer, Block

Following Parts Not Illustrated And Optional Parts Not Included

646753	Cup, Condensate Pan
647338	Washer, Condensate Pan
485426	Paint, Touch-Up Gray Lacquer (1/2 Pint)
212643	Sealer, Permagum (4 - 12" Strips)
799833	Epoxy, Tube (Aluminum Repair)
505168	Tape, No Drip (30') Valve, Access
978025	1/4" Tube O.D.
978026	5/16" Tube O.D.
978027	3/8" Tube O.D.
978028	1/2" Tube O.D.
978029	5/8" Tube O.D.
978029	3/4" Tube O.D.
978865	Seal, Ring Access Valve (20 - Pack)

Literature Parts

LIT1155689	Sheet, Tech And Wiring Diagram
LIT1155876	Guide, Use And Care
LIT879856	List, Repair Parts