

This Owner's Manual is provided and hosted by [Appliance Factory Parts](#).



# WHIRLPOOL AD0252XA0 Owner's Manual

[Shop genuine replacement parts for WHIRLPOOL  
AD0252XA0](#)



[Find Your WHIRLPOOL Dehumidifier Parts - Select From 309 Models](#)

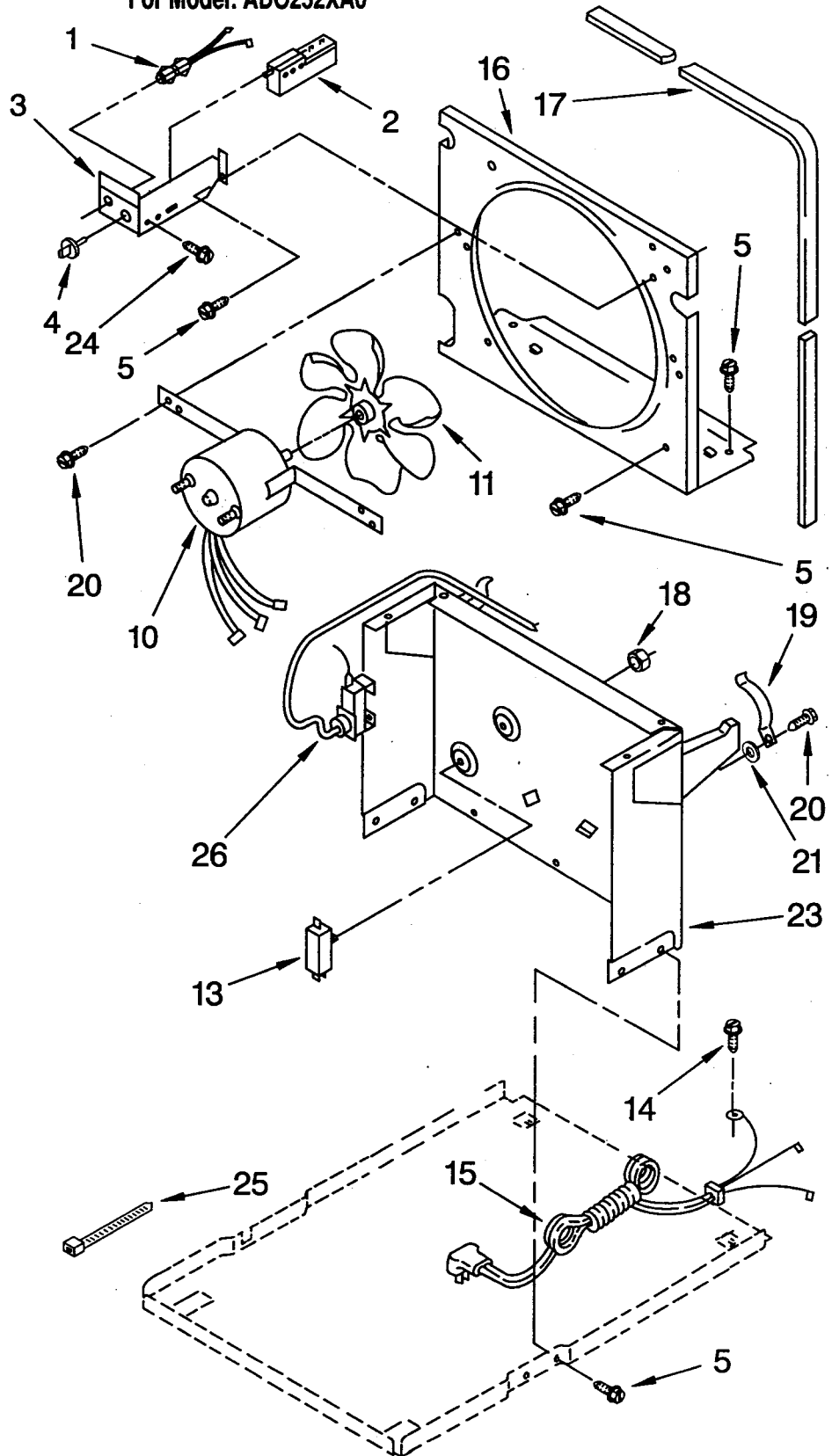
----- Manual continues below -----



# AIR FLOW AND CONTROL PARTS

DEHUMIDIFIER

For Model: ADO252XA0

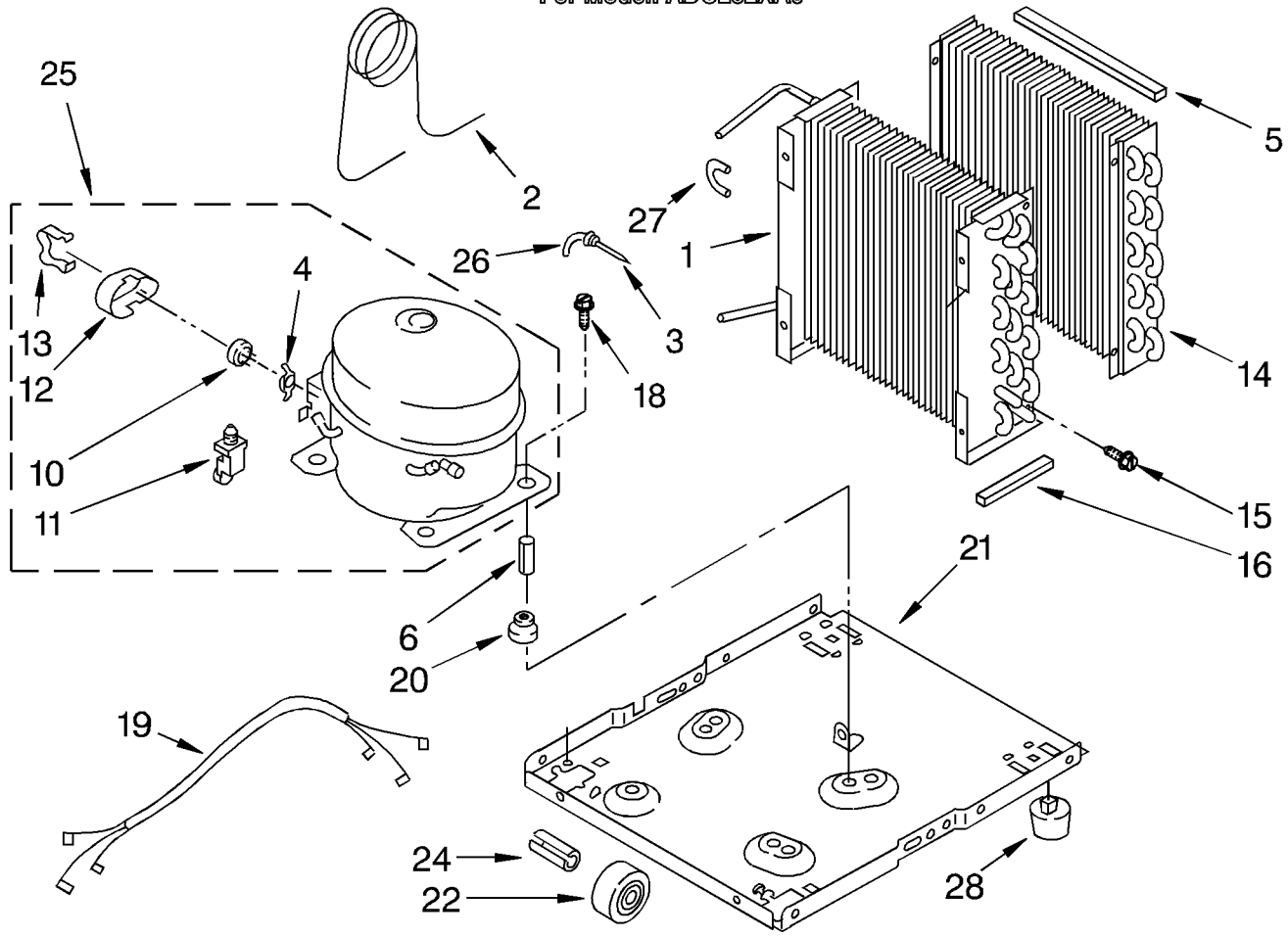


294

	1158419	Indicator, Light
2	1162578	Humidistat, Control
3	951284	Bracket, Humidistat
4	1162670	Knob, Humidistat Control
5	488624	Screw, Sm #8 x 3/8
10	1164208	Motor, Fan
11	949645	Blade, Fan
13	999747	Switch, Water Level Control
14	487871	Screw, 8-32 x 3/8
15	1155670	Cord, Appliance
16	998779	Plate, Orifice
17	1162704	Seal
18	489001	Palnut, 3/8-32
19	1161718	Spring, Water Level
20	488248	Screw, S.M.#8 x 3/4
21		Washer, Repair
	489083	.045 Thickness
	489029	.062 Thickness
23	1163800	Support
24	1162513	Screw, 8 - 18 x 1/4
25	602851	Tie, Cable
26	1163280	Thermostat, De-icer

# UNIT PARTS

For Model: ADO252XA0



FOR ORDERING INFORMATION REFER TO PARTS PRICE LIST

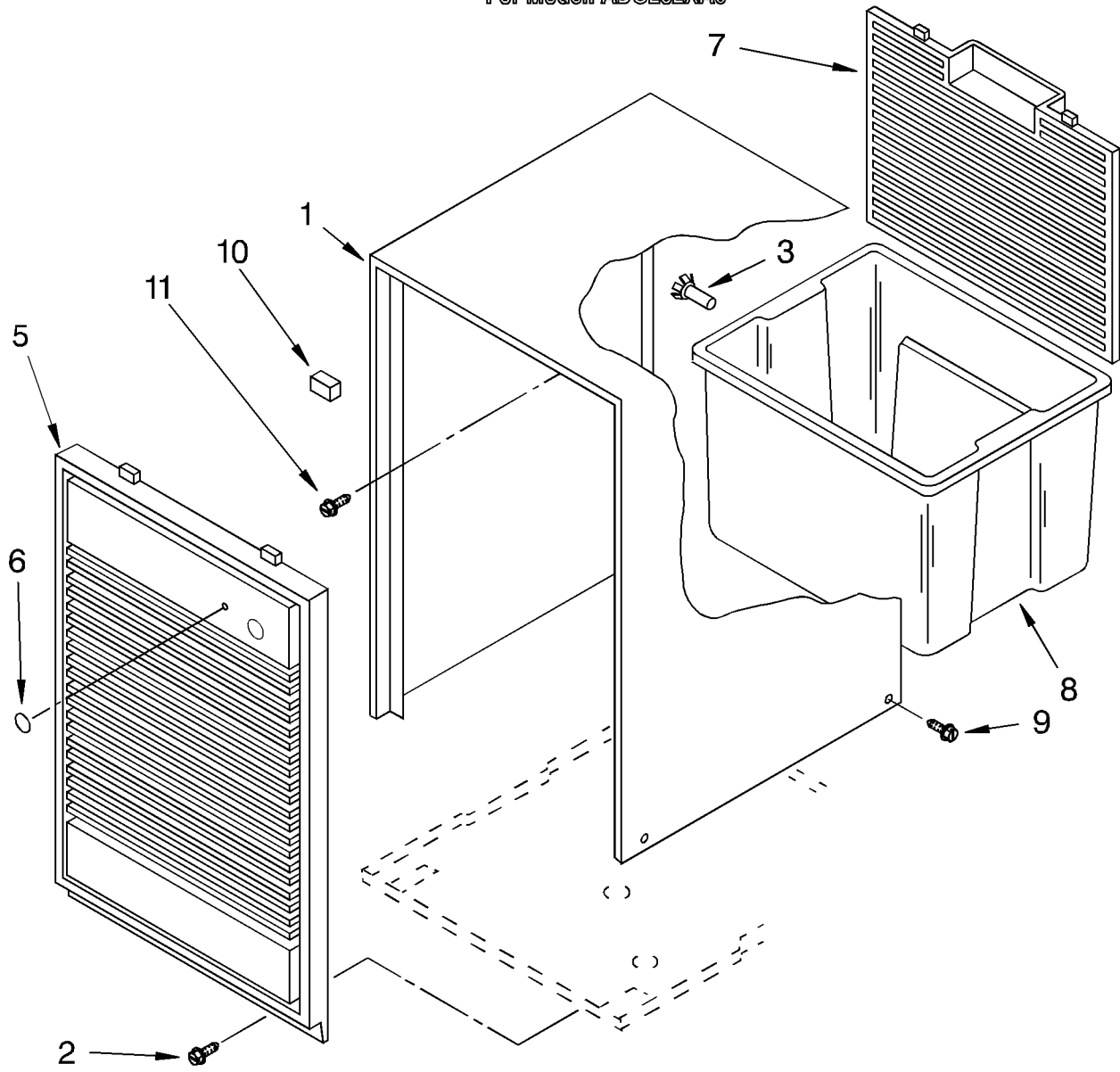
1	1164219	Condenser
2	1164204	Tube, Restrictor (Length 24.00")
3	1162037	Strainer
4		Spring Overload
	950061	Production
	549086	Service Overload
5	1162348	Seal Evaporator Top
6	646498	Sleeve (4)
10		Overload, Protector
	1163837	Production
	4318051	Service
11		Relay, Start
	1163838	Production
	4318052	Service
12		Cover, Terminal
	950055	Production
	4318053	Service
13		Retainer, Cover
	950056	Production
	549342	Service
14	1161199	Evaporator
15	488480	Screw, 8 x 1/2 (4)
16	1162372	Seal
18	1163835	Bolt, 1/4-28 x 1" (4)
19	484136	Harness, Wire
20	646499	Grommet (4)
21	1157584	Base
22	998726	Roller (2)
24	489015	Pin, Roller (2)
25	1163836	Compressor, (Complete Assembly)
26	854624	Bend, Return
27	855199	Bend, Return (17)
28	951886	Glide (2)

REFRIGERANT CHARGE 9 OZ. (Production R-500) (Service R-12)

Production Compressor Requires Production Electrical Components. Service Compressor Requires Service Electrical Components. For Further Information, Refer to Filmcard 19.1. Production Compressor Requires Production Electrical Components. Service Compressor Requires Service Electrical Components. For Further Information, Refer to Filmcard 19.1.

# CABINET PARTS

For Model: ADO252XA0



1	1164265	Cabinet
2	1164763	Screw, 8-32 x 1/2 (2)
3	998813	Retainer Pin (Rear Grille)
5	1164263	Grille, Front (Includes, Illus. No.4 )
6	998846	Lens, Light
7	1164264	Grille, Rear
8	1164771	Pan, Condensate
9	1158781	Screw
10	948584	Spacer, Grille
11	489073	Screw, 8 x 3/8 (2)

LITERATURE PARTS

LIT1163818	Tech Sheet
LIT1157768	Wiring Diagram
LIT1164267	Guide, Use And Care

Following Parts Not Illustrated and Optional Parts Not Included

646753	Cap, Condensate Pan
647338	Washer, Cap (Condensate Pan)
485426	Lacquer, Starlight Gray (1/2 Pt. Uncut)
484310	Epoxy, Tube (Aluminum Repair)
505168	Tape, No Drip Valve, Access
978025	1/4" Tube O.D.
978026	5/16" Tube O.D.
978027	3/8" Tube O.D.
978028	1/2" Tube O.D.
978029	5/8" Tube O.D.
978030	3/4" Tube O.D.
978865	Seal, Ring Access Valve (20 Pack)