

This Owner's Manual is provided and hosted by [Appliance Factory Parts](#).



WHIRLPOOL AD0252XZ0 Owner's Manual

[Shop genuine replacement parts for WHIRLPOOL
AD0252XZ0](#)



[Find Your WHIRLPOOL Dehumidifier Parts - Select From 309 Models](#)

----- Manual continues below -----

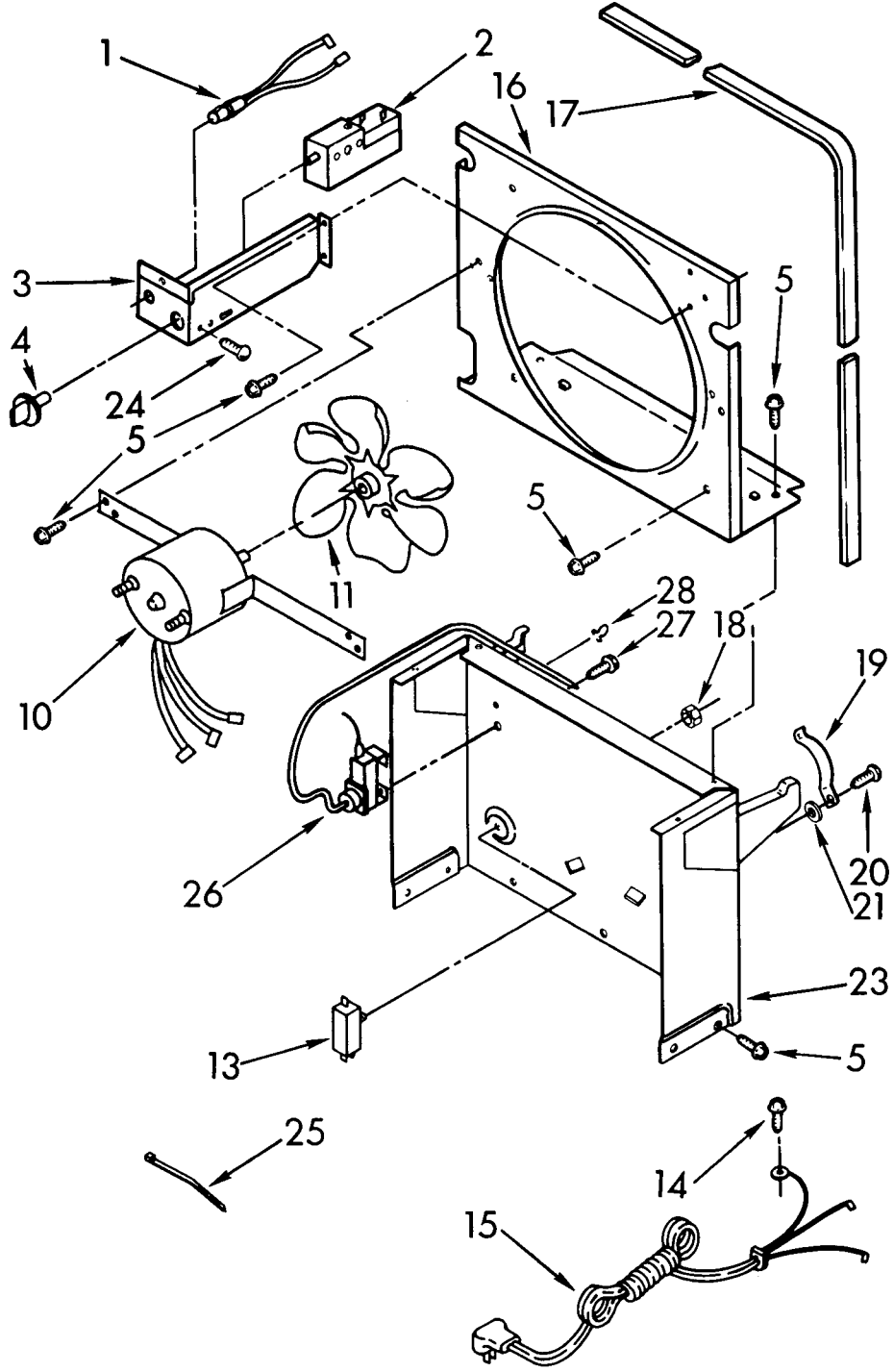
**PARTS
LIST
FOR**



DEHUMIDIFIER

**MODEL
AD0252XZ0**

AIR FLOW AND CONTROL PARTS



Whirlpool CORPORATION
Benton Harbor, Michigan.



8-92 Litho in U.S.A.

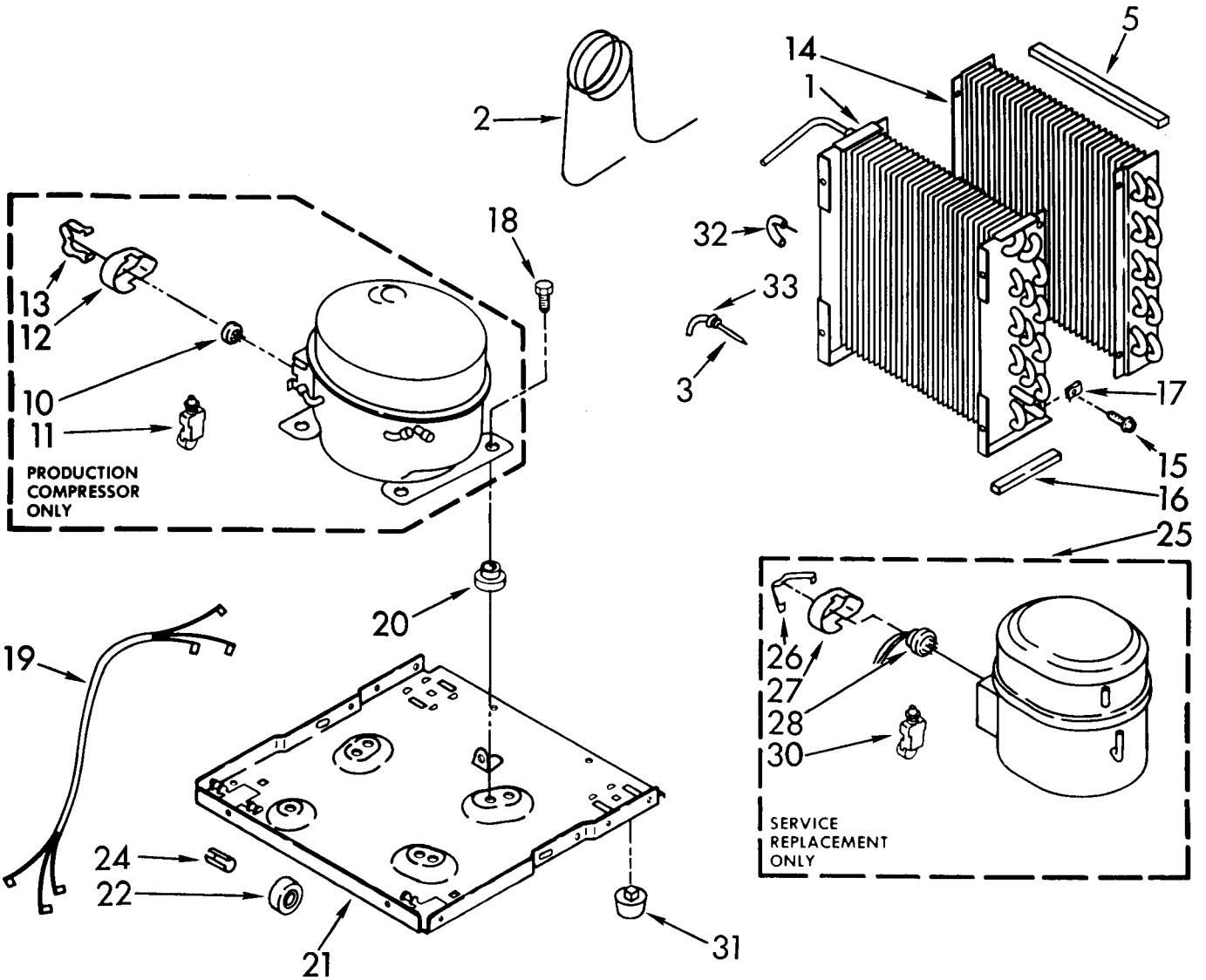
Part No. 4316352

9192

| | | |
|----|---------|-----------------------------|
| 1 | 1158419 | Indicator, Light |
| 2 | 1162578 | Humidistat, Control |
| 3 | 951284 | Bracket, Humidistat |
| 4 | 1162670 | Knob, Humidistat Control |
| 5 | 488624 | Screw, Sm #8 x 3/8 |
| 10 | 1162030 | Motor, Fan |
| 11 | 949645 | Blade, Fan |
| 13 | 999747 | Switch, Water Level Control |
| 14 | 487871 | Screw, 8-32 x 3/8 |
| 15 | 1155670 | Cord, Appliance |
| 16 | 998779 | Plate, Orifice |
| 17 | 1162704 | Seal |
| 18 | 489001 | Palnut, 3/8-32 |
| 19 | 1161718 | Spring, Water Level |
| 20 | 488248 | Screw, S.M.#8 x 3/4 |
| 21 | | Washer, Repair |
| | 489083 | .045 Thickness |
| | 489029 | .062 Thickness |
| 23 | 998744 | Support |
| 24 | 1162513 | Screw, 8 - 18 x 1/4 |
| 25 | 602851 | Tie, Cable |
| 26 | 1155109 | Thermostat, De-icer |
| 27 | 488234 | Screw, 8-32 x 1/4 (2) |
| 28 | 471363 | Clamp, Tube (2) |

UNIT PARTS

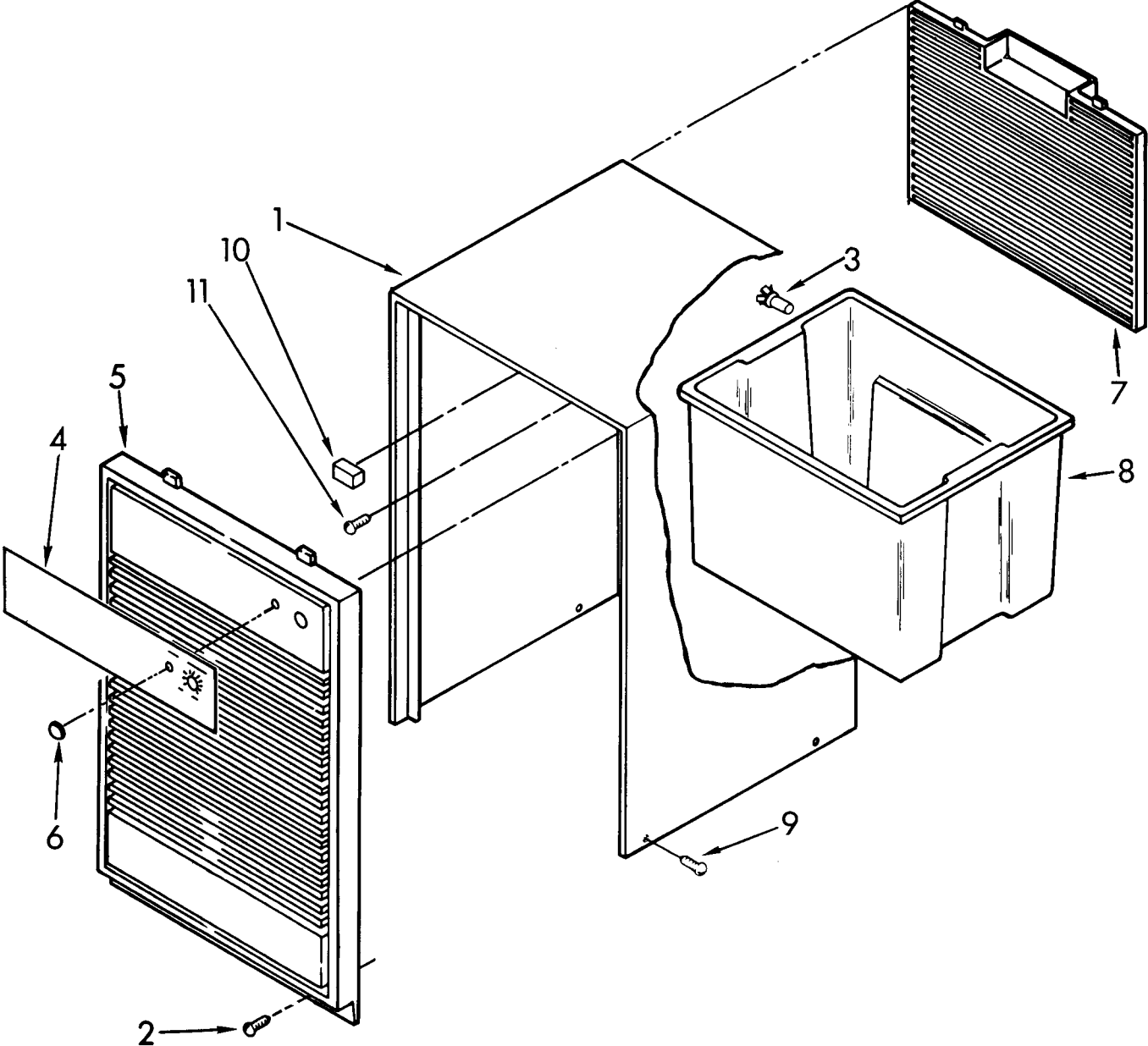
For Model: AD0252XZ0



| | | |
|----|---------|---|
| 1 | 1162152 | Condenser |
| 2 | 1162154 | Tube, Restrictor (Length 24.00") |
| 3 | 1162037 | Strainer |
| 5 | 1162348 | Seal Evaporator Top |
| 10 | 1158790 | Overload, Protector |
| 11 | 1156815 | Relay, Start |
| 12 | 1157582 | Cover, Terminal |
| 13 | 938384 | Retainer, Cover |
| 14 | 1162153 | Evaporator |
| 15 | 488624 | Screw, 8 x 3/8 (4) |
| 16 | 1162372 | Seal |
| 17 | 486197 | Nut, Speed (4) |
| 18 | 488400 | Screw, 1/4-28 x 1" (4) |
| 19 | 484136 | Harness, Wire |
| 20 | 1156748 | Grommet (4) |
| 21 | 1157584 | Base |
| 22 | 998726 | Roller (2) |
| 24 | 489015 | Pin, Roller (2) |
| 25 | 4317832 | Compressor, Service (Complete Assembly) |
| 26 | 938384 | Retainer, Cover |
| 27 | 1157582 | Cover, Terminal |
| 28 | 1158790 | Overload |
| 30 | 1158608 | Relay |
| 31 | 951886 | Glide (2) |
| 32 | 855199 | Bend, Return (17) |
| 33 | 854624 | Bend, Return |

CABINET PARTS

For Model: ADO252XZ0



| | | |
|----|---------|--|
| 1 | 998821 | Cabinet |
| 2 | 489120 | Screw, #8 x 1/2 (2) |
| 3 | 998813 | Retainer Pin (Rear Grille) |
| 4 | 1162674 | Escutcheon |
| 5 | 1162663 | Grille, Front (Includes, Illus. No.4) |
| 6 | 998846 | Lens, Light |
| 7 | 998832 | Grille, Rear |
| 8 | 951901 | Pan, Condensate |
| 9 | 1158781 | Screw |
| 10 | 948584 | Spacer, Grille |
| 11 | 489073 | Screw, 8 x 3/8 (2) |

Following Parts Not Illustrated and Optional Parts Not Included

| | |
|------------|---|
| 646753 | Cap, Condensate Pan |
| 647338 | Washer, Cap (Condensate Pan) |
| 485426 | Lacquer, Starlight Gray (1/2 Pt. Uncut) |
| 484310 | Epoxy, Tube (Aluminum Repair) |
| 505168 | Tape, No Drip Valve, Access |
| 978025 | 1/4" Tube O.D. |
| 978026 | 5/16" Tube O.D. |
| 978027 | 3/8" Tube O.D. |
| 978028 | 1/2" Tube O.D. |
| 978029 | 5/8" Tube O.D. |
| 978030 | 3/4" Tube O.D. |
| 978865 | Seal, Ring Access Valve (20 Pack) |
| LIT1162524 | Tech Sheet And Wiring Diagram |
| LIT1162830 | Guide, Use And Care |
| LIT4316352 | List, Repair Parts |