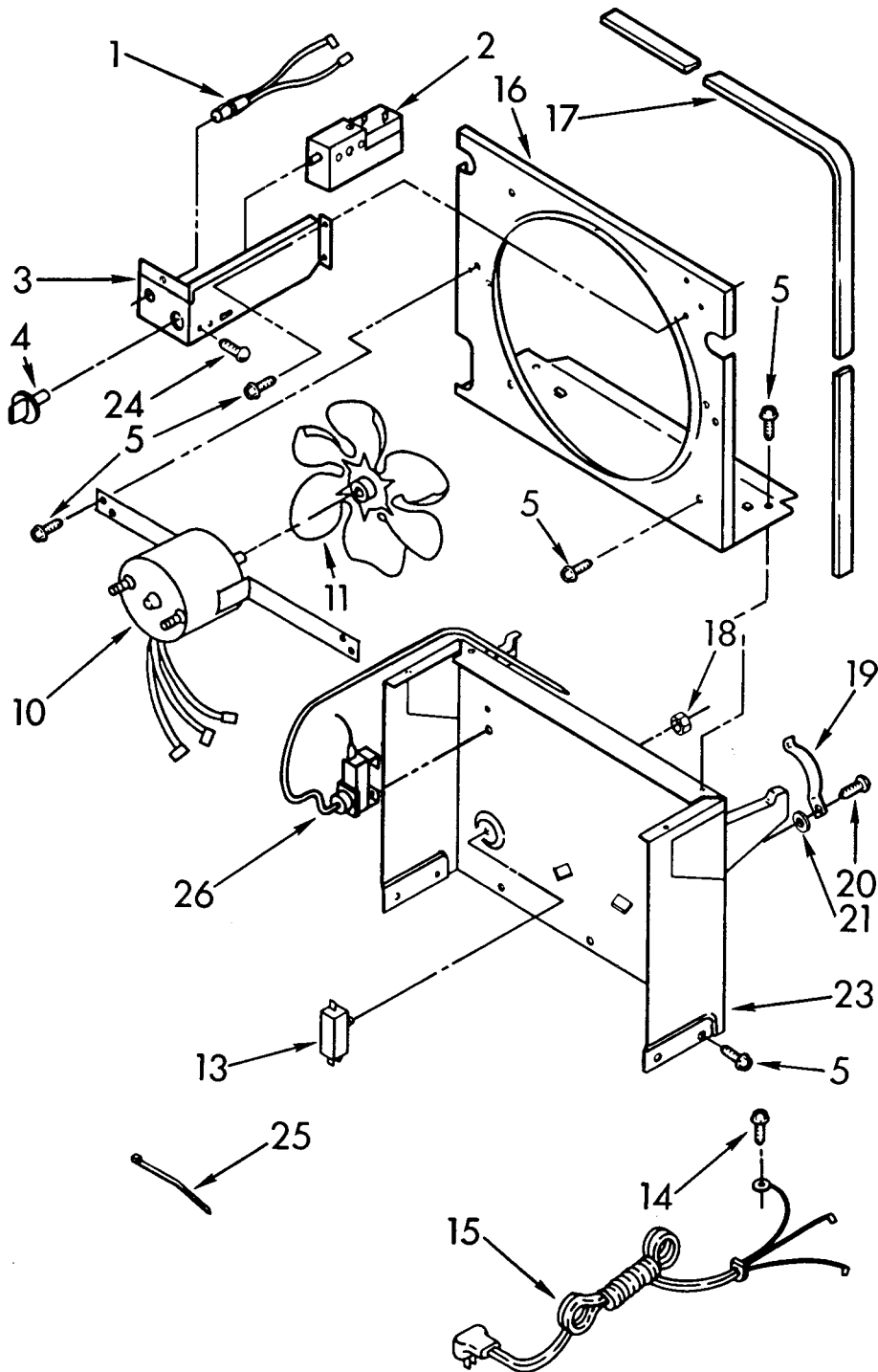




AIR FLOW AND CONTROL PARTS

For Model: ADO252XZ1

DEHUMIDIFIER

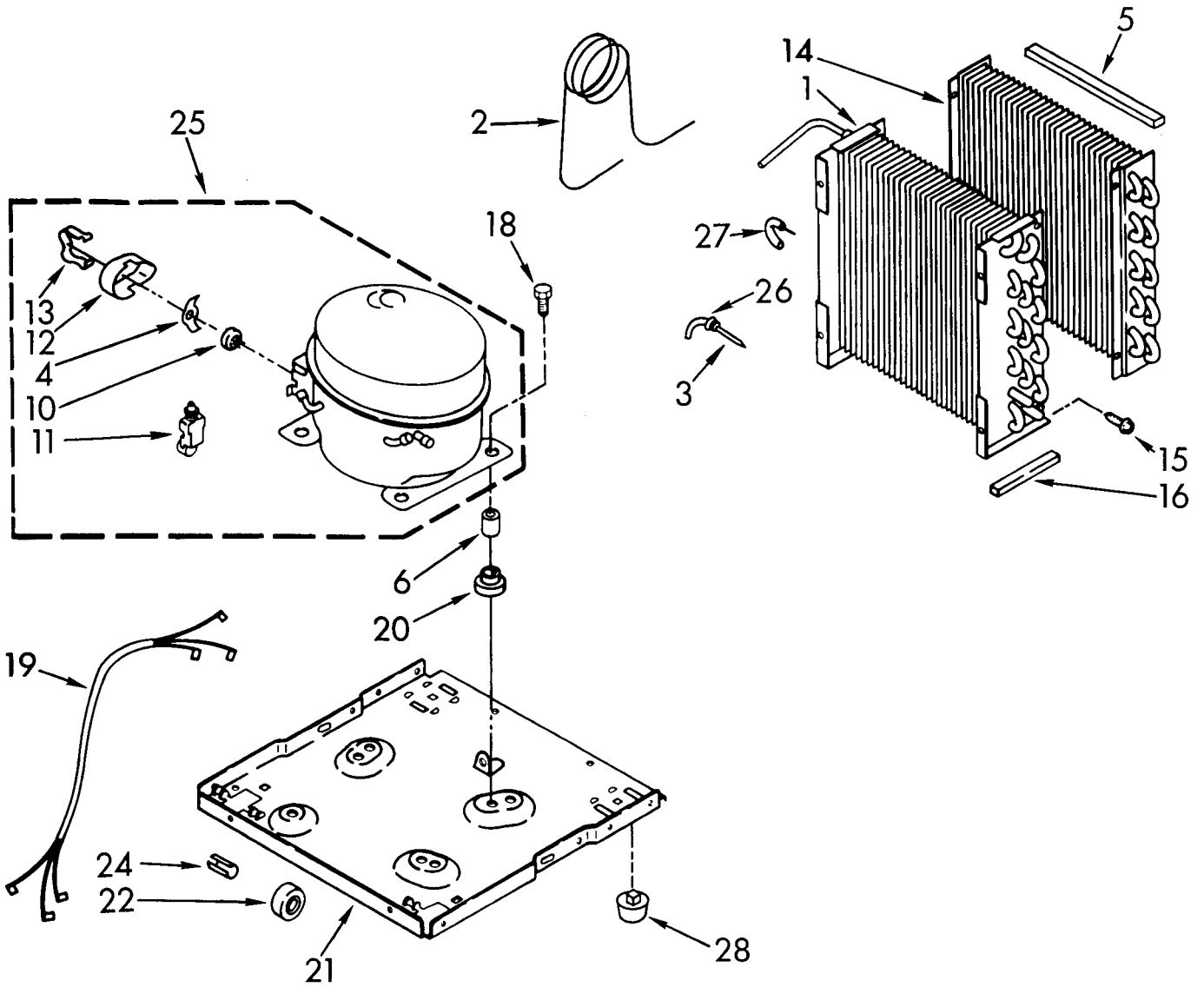


2/94

| | | |
|----|---------|-----------------------------|
| 1 | 1158419 | Indicator, Light |
| 2 | 1162578 | Humidistat, Control |
| 3 | 951284 | Bracket, Humidistat |
| 4 | 1162670 | Knob, Humidistat Control |
| 5 | 488624 | Screw, Sm #8 x 3/8 |
| 10 | 1164208 | Motor, Fan |
| 11 | 949645 | Blade, Fan |
| 13 | 999747 | Switch, Water Level Control |
| 14 | 487871 | Screw, 8-32 x 3/8 |
| 15 | 1155670 | Cord, Appliance |
| 16 | 998779 | Plate, Orifice |
| 17 | 1162704 | Seal |
| 18 | 489001 | Palnut, 3/8-32 |
| 19 | 1161718 | Spring, Water Level |
| 20 | 488248 | Screw, S.M.#8 x 3/4 |
| 21 | | Washer, Repair |
| | 489083 | .045 Thickness |
| | 489029 | .062 Thickness |
| 23 | 1163800 | Support |
| 24 | 1162513 | Screw, 8 - 18 x 1/4 |
| 25 | 602851 | Tie, Cable |
| 26 | 1163280 | Thermostat, De-icer |

UNIT PARTS

For Model: ADO252XZ1

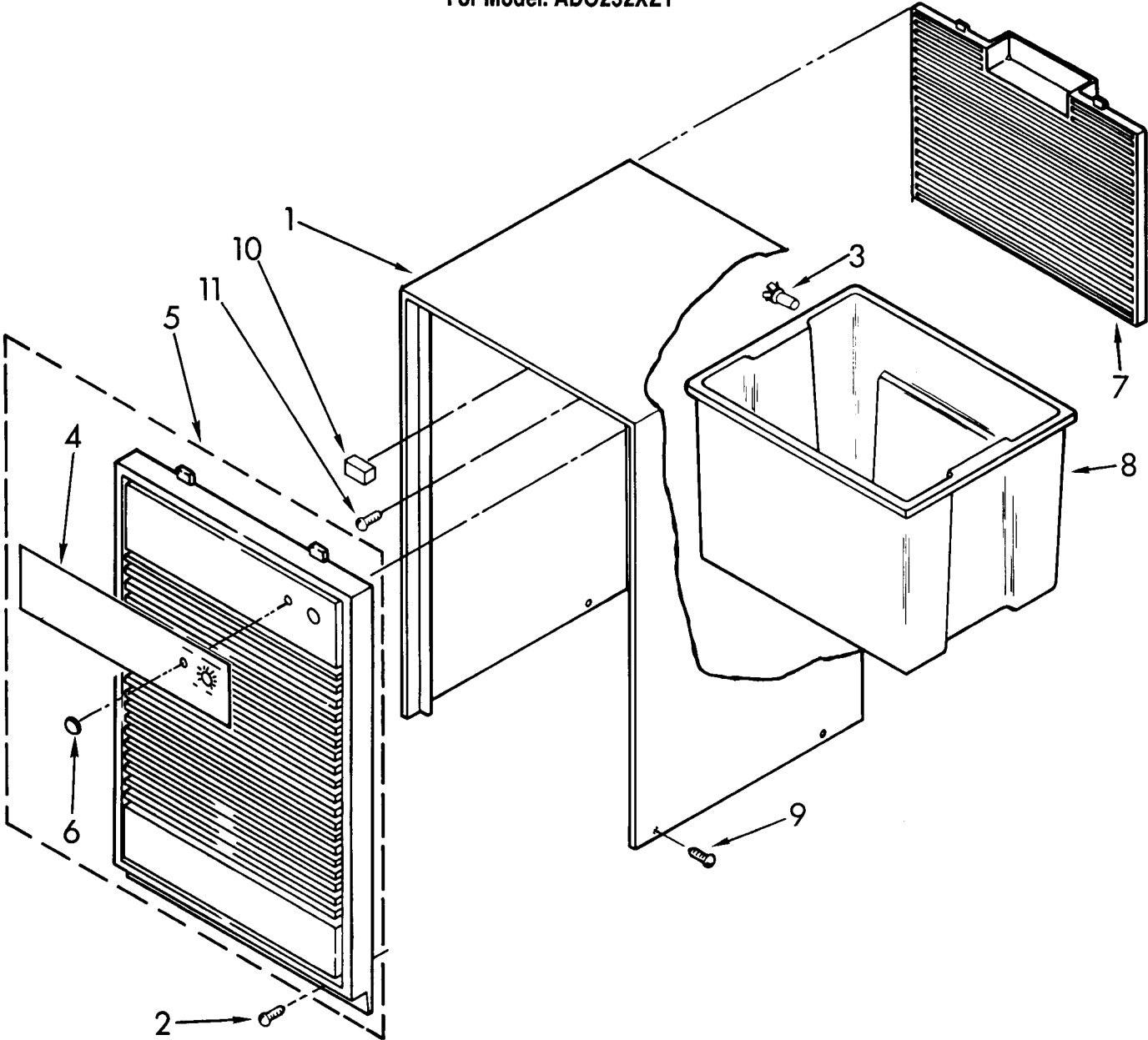


| | | |
|----|---------|----------------------------------|
| 1 | 1164219 | Condenser |
| 2 | 1164204 | Tube, Restrictor (Length 24.00") |
| 3 | 1162037 | Strainer |
| 4 | | Spring Overload |
| | 950061 | Production |
| | 549086 | Service Overload |
| 5 | 1162348 | Seal Evaporator Top |
| 6 | 646498 | Sleeve (4) |
| 10 | | Overload, Protector |
| | 1163837 | Production |
| | 2154760 | Service |
| 11 | | Relay, Start |
| | 1163838 | Production |
| | 1108143 | Service |
| 12 | | Cover, Terminal |
| | 950055 | Production |
| | 1108115 | Service |
| 13 | | Retainer, Cover |
| | 950056 | Production |
| | 549342 | Service |
| 14 | 1161199 | Evaporator |
| 15 | 488480 | Screw, 8 x 1/2 (4) |
| 16 | 1162372 | Seal |
| 18 | 1163835 | Bolt, 1/4-28 x 1" (4) |
| 19 | 484136 | Harness, Wire |
| 20 | 646499 | Grommet (4) |
| 21 | 1157584 | Base |
| 22 | 998726 | Roller (2) |
| 24 | 489015 | Pin, Roller (2) |
| 25 | 1163836 | Compressor, (Complete Assembly) |
| 26 | 854624 | Bend, Return |
| 27 | 855199 | Bend, Return (17) |
| 28 | 951886 | Glide (2) |

Production Compressor Requires Production Electrical Components. Service Compressor Requires Service Electrical Components. For Further Information, Refer to Filmcard 19.1.

CABINET PARTS

For Model: ADO252XZ1



| | | |
|----|---------|--|
| 1 | 998821 | Cabinet |
| 2 | 489120 | Screw, #8 x 1/2 (2) |
| 3 | 998813 | Retainer Pin (Rear Grille) |
| 4 | 1162674 | Escutcheon |
| 5 | 1162673 | Grille, Front (Includes, Illus. No.4) |
| 6 | 998846 | Lens, Light |
| 7 | 998832 | Grille, Rear |
| 8 | 951901 | Pan, Condensate |
| 9 | 1158781 | Screw |
| 10 | 948584 | Spacer, Grille |
| 11 | 489073 | Screw, 8 x 3/8 (2) |

Following Parts Not Illustrated and Optional Parts Not Included

| | |
|--------|---|
| 646753 | Cap, Condensate Pan |
| 647338 | Washer, Cap (Condensate Pan) |
| 485426 | Lacquer, Starlight Gray (1/2 Pt. Uncut) |
| 484310 | Epoxy, Tube (Aluminum Repair) |
| 505168 | Tape, No Drip Valve, Access |
| 978025 | 1/4" Tube O.D. |
| 978026 | 5/16" Tube O.D. |
| 978027 | 3/8" Tube O.D. |
| 978028 | 1/2" Tube O.D. |
| 978029 | 5/8" Tube O.D. |
| 978030 | 3/4" Tube O.D. |
| 978865 | Seal, Ring Access Valve (20 Pack) |

LITERATURE PARTS

| | |
|------------|---------------------|
| LIT1164210 | Tech Sheet |
| LIT1164212 | Wiring Diagram |
| LIT1162830 | Guide, Use And Care |
| LIT884636 | List, Repair Parts |