

This Owner's Manual is provided and hosted by [Appliance Factory Parts](#).



WHIRLPOOL AD0302XA1 Owner's Manual

[Shop genuine replacement parts for WHIRLPOOL
AD0302XA1](#)



[Find Your WHIRLPOOL Dehumidifier Parts - Select From 309 Models](#)

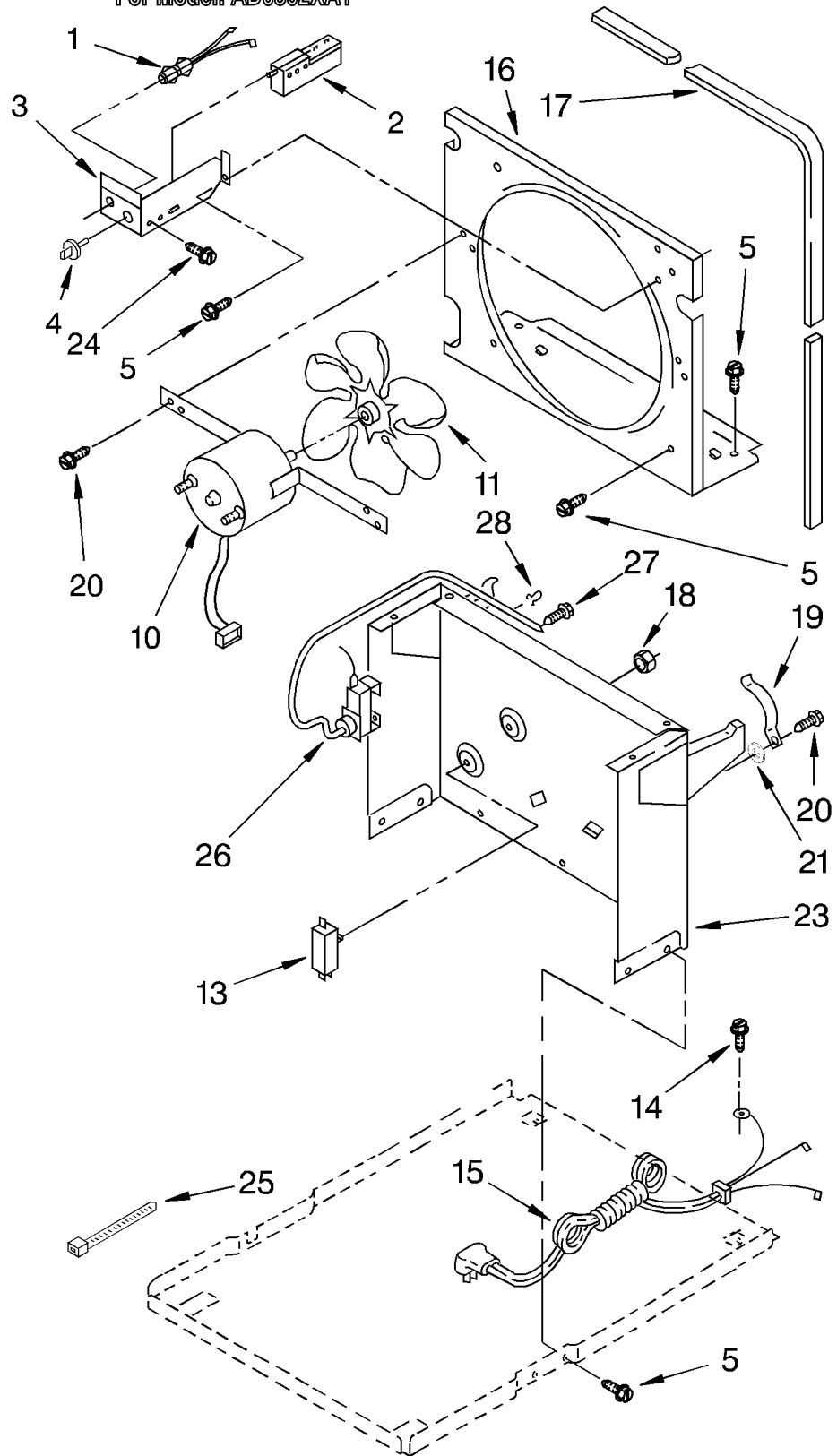
----- Manual continues below -----



AIR FLOW AND CONTROL PARTS

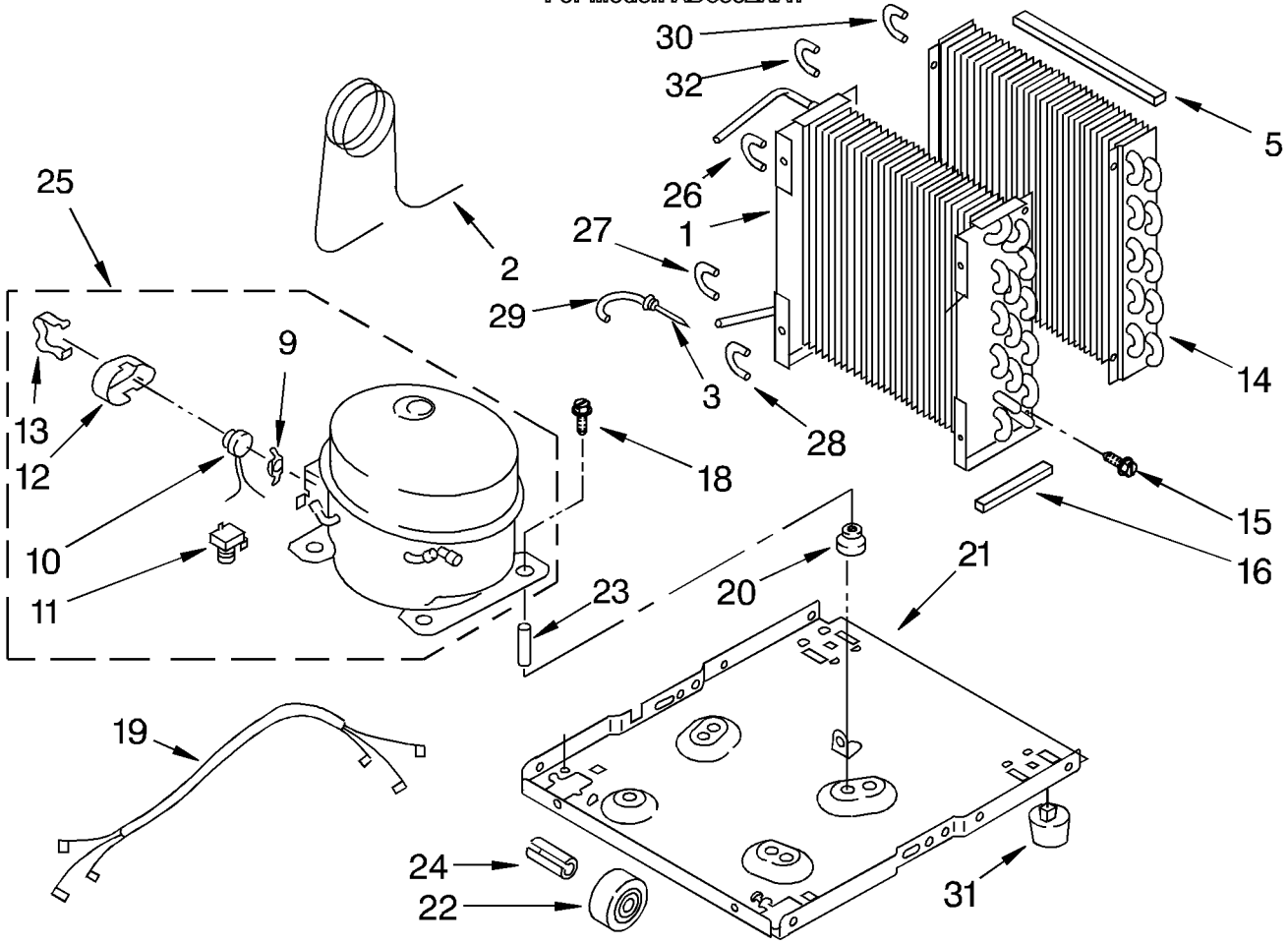
For Model: AD0302XA1

DEHUMIDIFIER



1	1164804	Light, Indicator
2	1162578	Humidistat, Control
3	951284	Bracket, Humidistat
4	1162670	Knob, Humidistat Control
5	488480	Screw, Sm #8 x 1/2
10	1164813	Motor, Fan
11	949645	Blade, Fan
13	999747	Switch, Water Level Control
14	487871	Screw, 8-32 x 3/8
15	1166038	Cord, Appliance
16	998779	Plate, Orifice
17	1162704	Seal
18	489001	Palnut, 3/8-32
19	1161718	Spring, Water Level
20	488248	Screw, S.M.#8 x 3/4
21		Washer, Repair
	489083	.045 Thickness
	489029	.062 Thickness
23	1163800	Support
24	1162513	Screw, 8 1 18 x 1/4 (2)
25	602851	Tie, Cable
26	1164779	Thermostat, De-icer
27	488234	Screw, 8-32 x 1/4 (2)
28	471363	Clamp, Tube (2)

UNIT PARTS
For Model: AD0302XA1



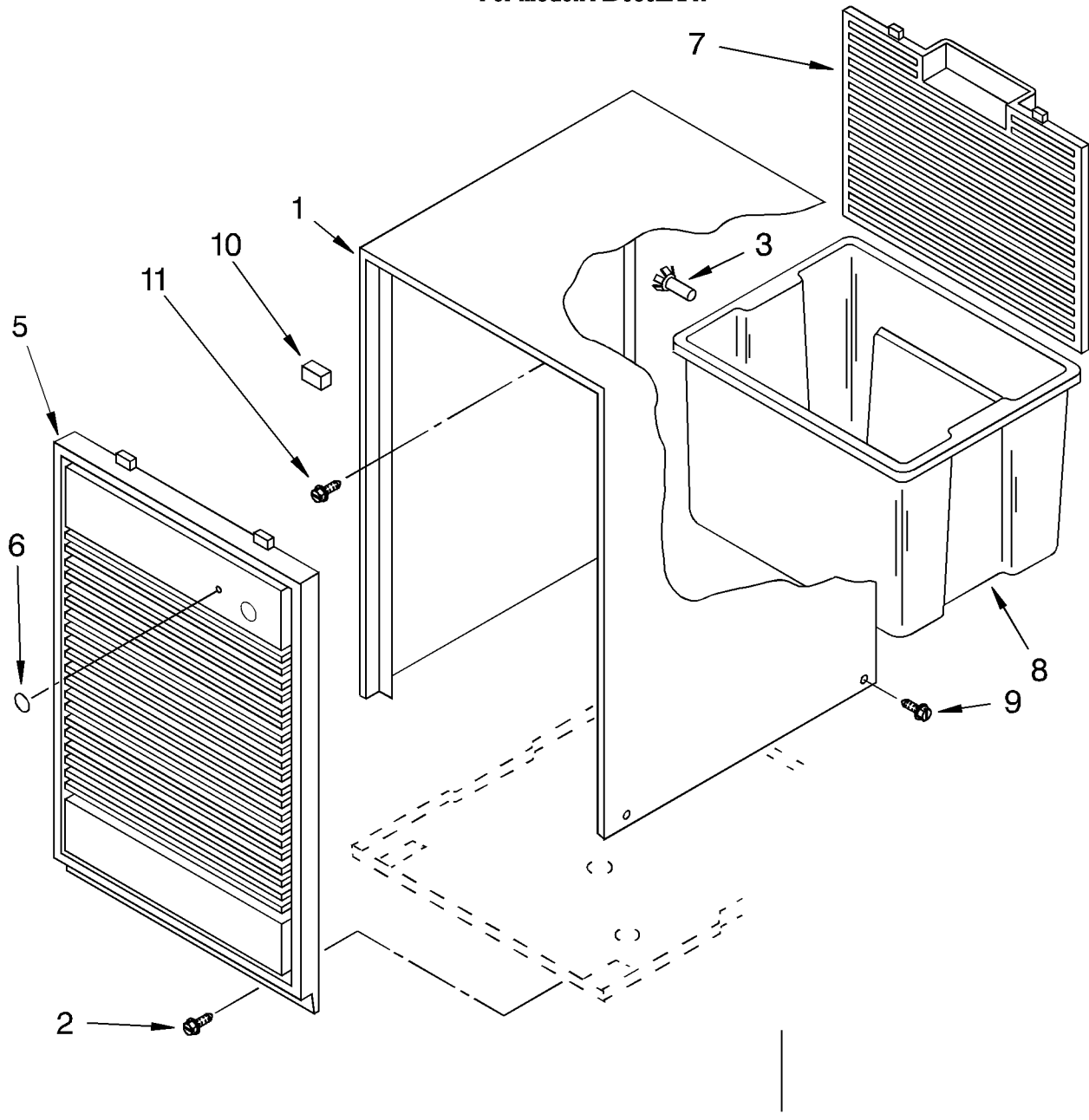
1	1162646	Condenser
2	1165297	Tube, Restrictor
3	1162526	Strainer
5	1162348	Seal, Evaporator Top
9	950061	Spring, Overload
10	1164775	Overload, Protector
11	950058	Relay, Start
12	950055	Cover Terminal
13	950056	Retainer, Cover
14	1162933	Evaporator
15	488480	Screw, 8 x 1/2 (4)
16	1162372	Seal
18	1166034	Bolt, 1/4-28 x 1" (4)
19	1164816	Harness, Wire
20	646499	Grommet (4)
21	1157584	Base
22	998726	Roller (2)
23	646498	Sleeve (4)
24	489015	Pin, Roller (2)
25	1164773	Compressor, (Complete Assembly)
26	1158407	Bend, Return (1)
27	708531	Bend, Return (8)
28	708532	Bend, Return (4)
29	1156533	Bend, Return (1)
30	854624	Bend, Return (1)
31	951886	Glide (2)
32	855199	Bend, Return (8)

REFRIGERANT CHARGE 9.5 OZ.

Production Compressor Requires Production Electrical Components. Service Compressor Requires Service Electrical Components. For Further Information, Refer to Filmcard 19.1.

CABINET PARTS

For Model: AD0302XA1



1	1164265	Cabinet
2	1166018	Screw (2)
3	998813	Retainer Pin (Rear Grille)
5	1164263	Grille, Front
6	998846	Lens, Light
7	1164264	Grille, Rear
8	1164771	Pan, Condensate
9	1166017	Screw (4)
10	948584	Spacer, Grille
11	489073	Screw, 8 x 3/8 (2)

Following Parts Not Illustrated and Optional Parts Not Included

646753	Cap, Condensate Pan
647338	Washer, Cap (Condensate Pan)
485426	Lacquer, Starlight Gray (1/2 Pt. Uncut)
484310	Epoxy, Tube (Aluminum Repair)
505168	Tape, No Drip Valve, Access
978025	1/4" Tube O.D.
978026	5/16" Tube O.D.
978027	3/8" Tube O.D.
978028	1/2" Tube O.D.
978029	5/8" Tube O.D.
978030	3/4" Tube O.D.
978865	Seal, Ring Access Valve (20 Pack)

LITERATURE PARTS

LIT1165327	Tech Sheet
LIT1165310	Wiring Diagram
LIT1164267	Guide, Use And Care