

This Owner's Manual is provided and hosted by [Appliance Factory Parts](#).



WHIRLPOOL AD0302XA2 Owner's Manual

[Shop genuine replacement parts for WHIRLPOOL
AD0302XA2](#)



[Find Your WHIRLPOOL Dehumidifier Parts - Select From 309 Models](#)

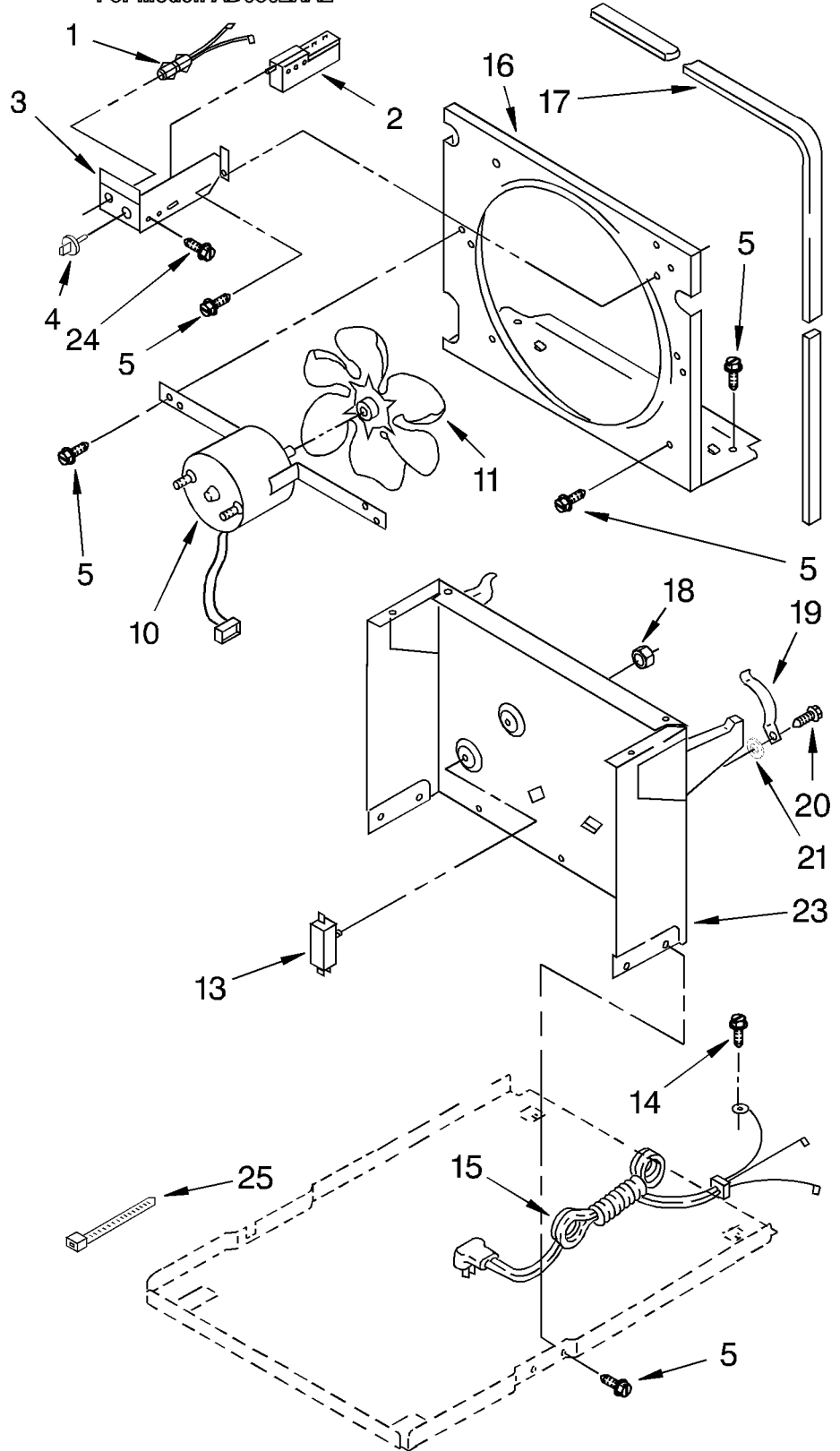
----- Manual continues below -----



AIR FLOW AND CONTROL PARTS

DEHUMIDIFIER^x

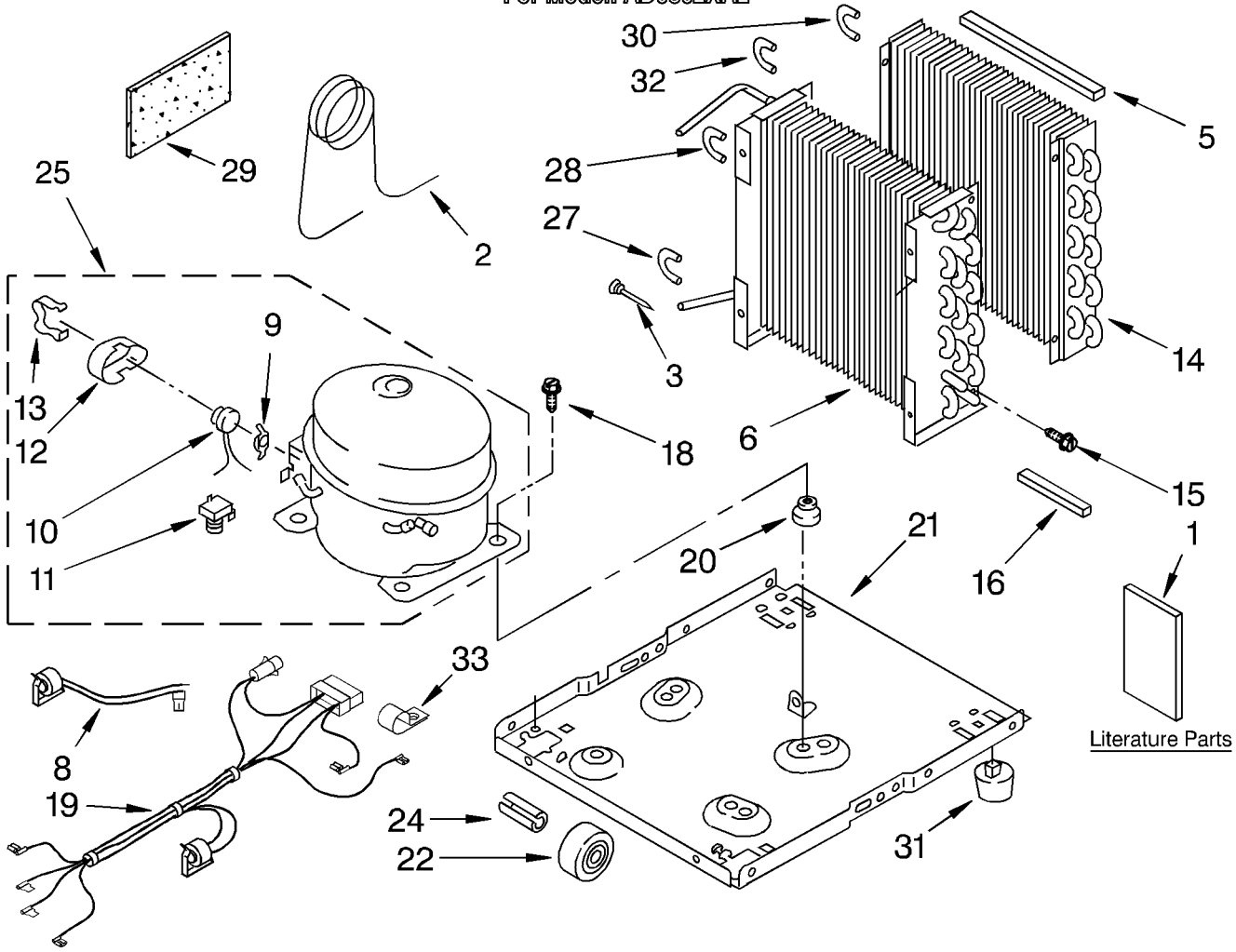
For Model: AD0302XA2



1	1164804	Light, Indicator
2	1166055	Humidistat, Control
3	1167040	Bracket, Control
4	1162670	Knob, Humidistat Control
5	488480	Screw, Sm #8 x 1/2
10	1164813	Motor, Fan
11	949645	Blade, Fan
13	999747	Switch, Water Level Control
14	487871	Screw, 8-32 x 3/8
15	1166038	Cord, Appliance
16	1166838	Plate, Orifice
17	1162704	Seal
18	489001	Palnut, 3/8-32
19	1161718	Spring, Water Level
20	486194	Screw #8 x 1/2
21		Washer, Repair
	489083	.045 Thickness
	489029	.062 Thickness
23	1163800	Support
24	1162513	Screw, 8 1 18 x 1/4 (2)
25	602851	Tie, Cable

UNIT PARTS

For Model: AD0302XA2

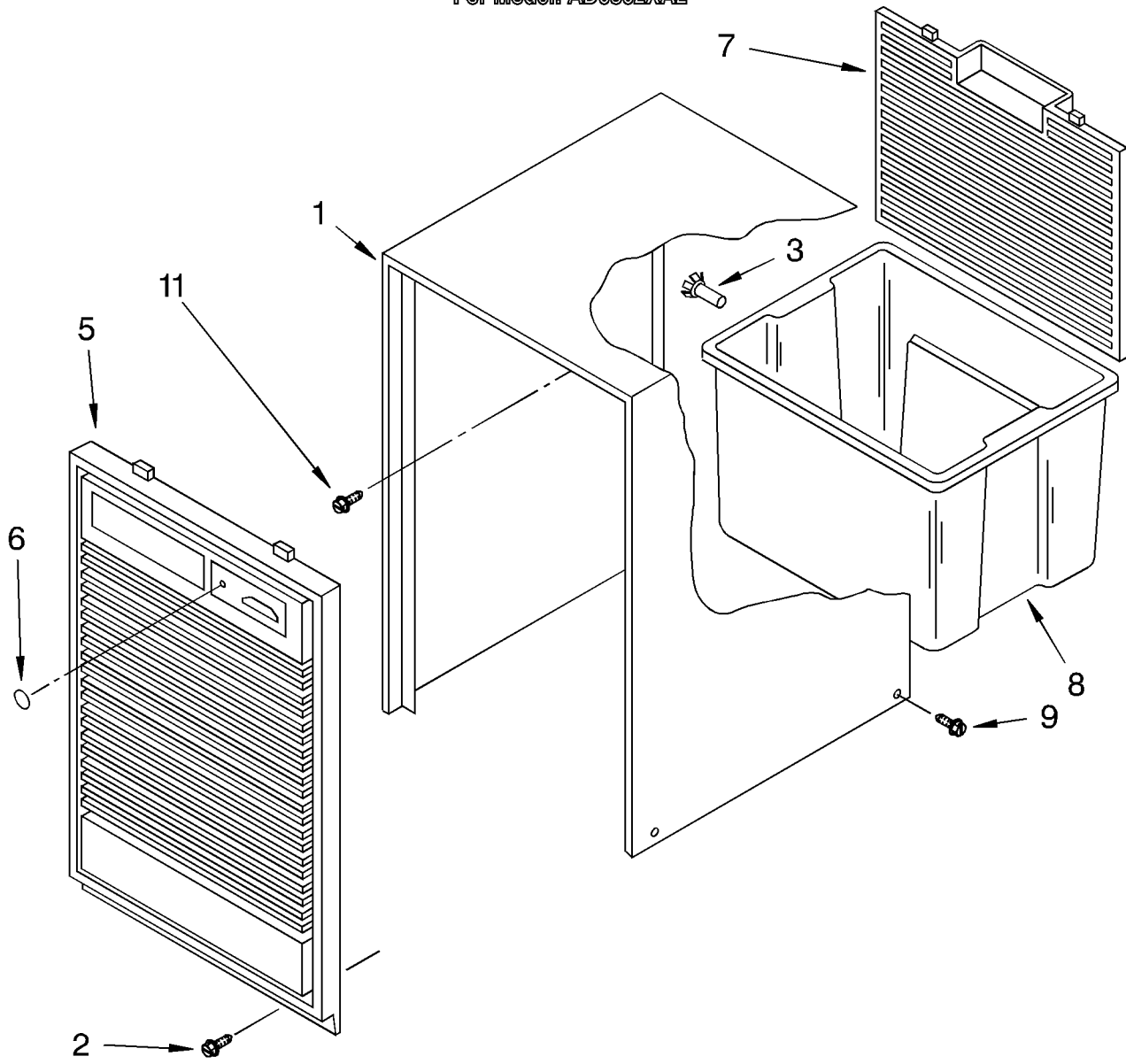


1		LITERATURE PARTS
	LIT1167562	Tech Sheet
	LIT1167573	Wiring Diagram
	LIT1169992	Use & Care Guide
2	1168192	Tube, Restrictor
3	1162526	Strainer
5	1162348	Seal, Evaporator (Top)
6	1167546	Condenser
8	1167574	Deicer, Bimetal
9	950061	Spring, Overload
10	1164775	Overload, Protector
11	950058	Relay, Start
12	950055	Cover Terminal
13	950056	Retainer, Cover
14	1168186	Evaporator
15	488480	Screw, 8 x 1/2 (4)
16	1162372	Seal
18	1166034	Bolt, 1/4-28 x 1" (4)
19	1167561	Harness, Wire
20	1100826	Grommet (4)
21	1157584	Base
22	998726	Roller (2)
24	489015	Pin, Roller (2)
25	1164773	Compressor, (Complete Assembly)
27	708531	Bend, Return (10)
28	708532	Bend, Return (4)
29	1162650	Insulation (Restrictor Tube)
30	854624	Bend, Return (1)
31	951886	Glide (2)
32	855199	Bend, Return (8)
33	1180752	Relief, Strain

REFRIGERANT CHARGE 9.5 OZ.

CABINET PARTS

For Model: AD0302XA2



1	1164265	Cabinet
2	1166018	Screw (2)
3	998813	Retainer Pin (Rear Grille)
5	1164263	Grille, Front
6	998846	Lens, Light
7	1164264	Grille, Rear
8	1164771	Pan, Condensate
9	1166017	Screw (4)
11	489073	Screw, 8 x 3/8 (2)

Following Parts Not Illustrated and Optional Parts Not Included

646753	Cap, Condensate Pan
647338	Washer, Cap (Condensate Pan)
485426	Lacquer, Starlight Gray (1/2 Pt. Uncut)
484310	Epoxy, Tube (Aluminum Repair)
505168	Tape, No Drip Valve, Access
978025	1/4" Tube O.D.
978026	5/16" Tube O.D.
978027	3/8" Tube O.D.
978028	1/2" Tube O.D.
978029	5/8" Tube O.D.
978030	3/4" Tube O.D.
978865	Seal, Ring Access Valve (20 Pack)