

PARTS LIST

for



DEHUMIDIFIER

MODEL

AD0402XS2



FOR CUSTOMER SATISFACTION ALWAYS USE
FACTORY SPECIFICATION PARTS

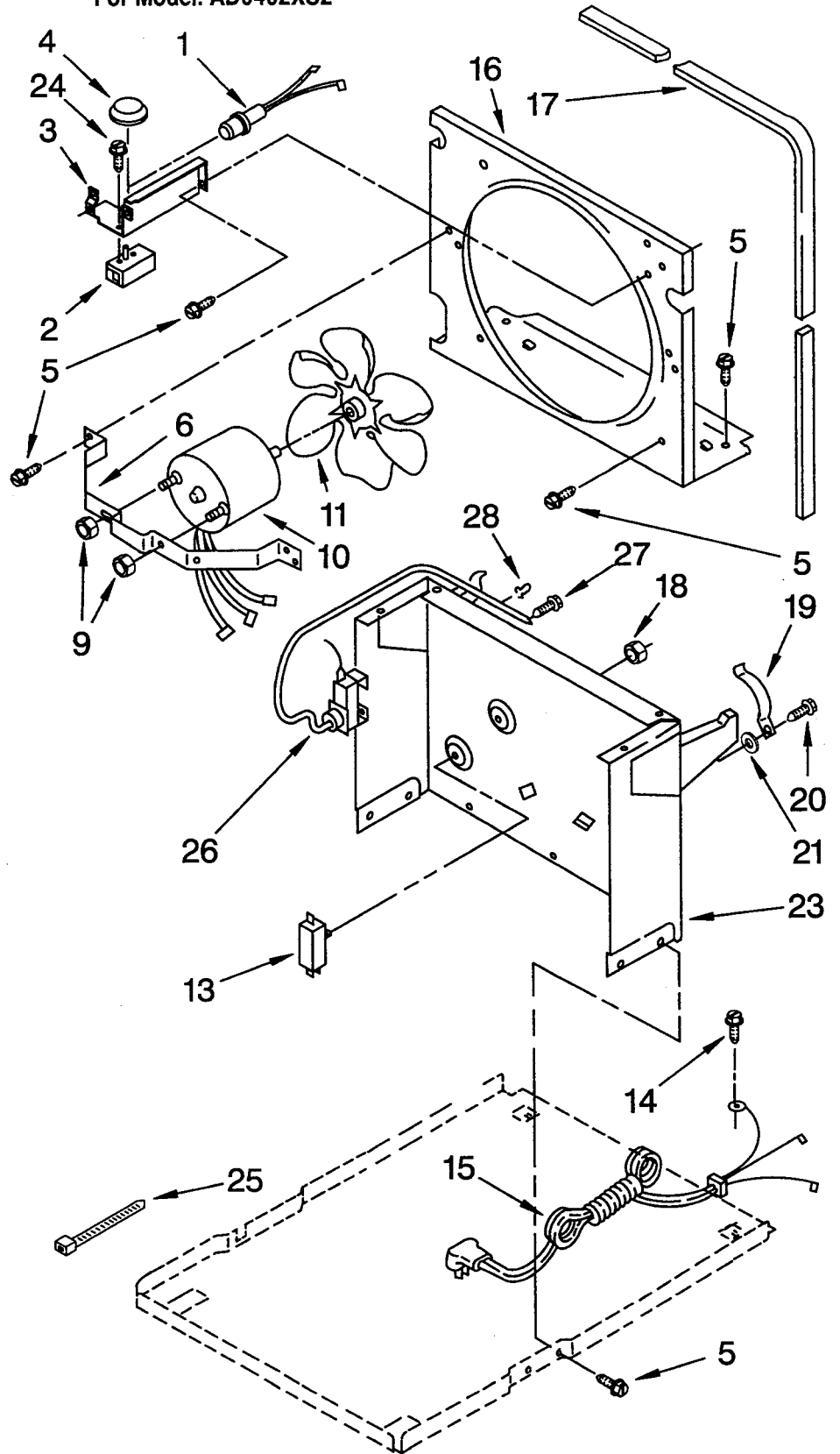


Whirlpool CORPORATION

Benton Harbor, Michigan.

AIR FLOW AND CONTROL PARTS

For Model: AD0402XS2

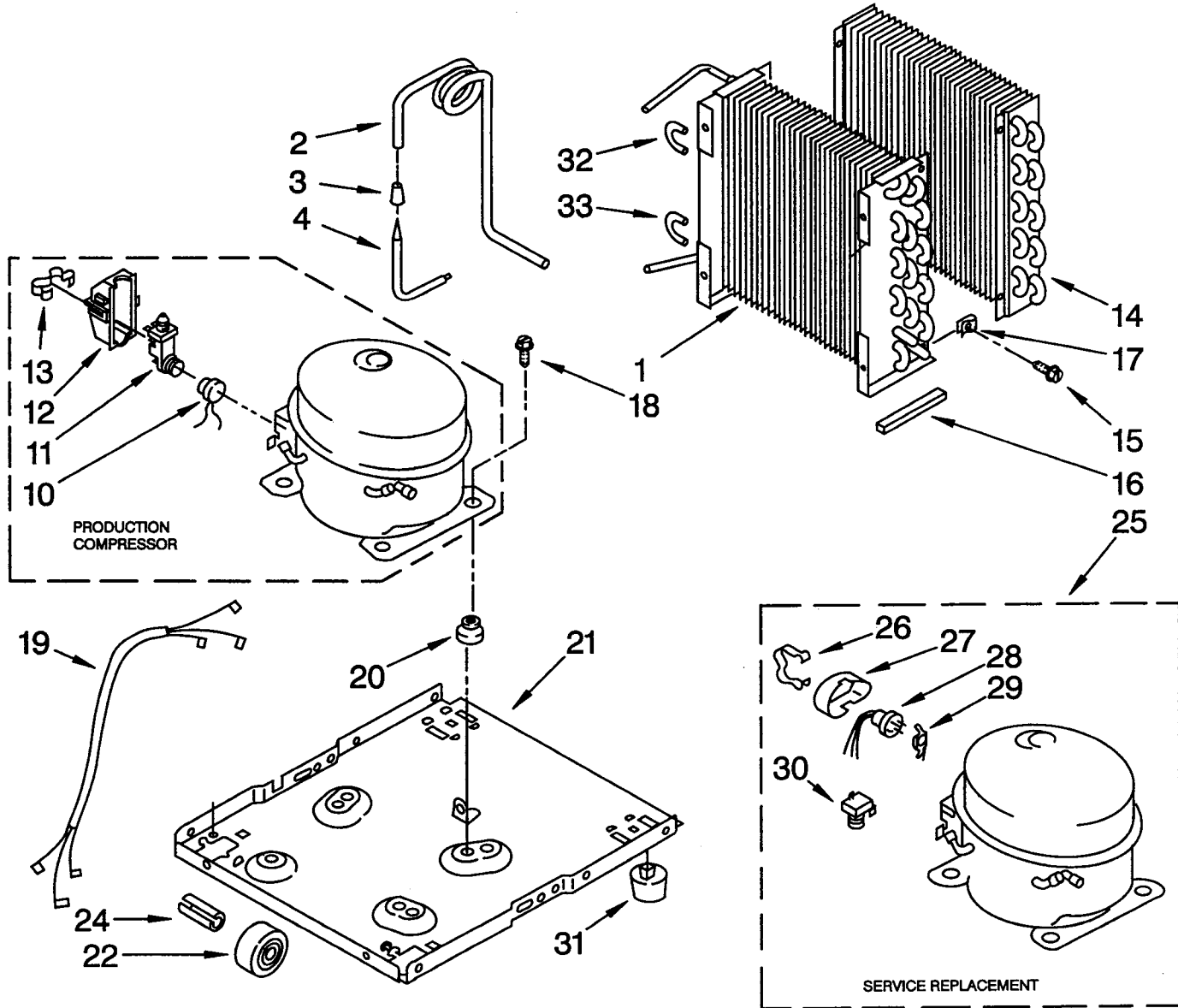


FOR ORDERING INFORMATION REFER TO PARTS PRICE LIST

1	1155666	Indicator, Light
2	1155848	Humidistat, Control
3	951285	Bracket, Humidistat
4	998859	Knob, Humidistat Control
5	488624	Screw, Sm #8 x 3/8
6	998777	Bracket, Fan Motor Mounting
9	1161548	Nut, Fan Motor 8-32 (2)
10	1158534	Motor, Fan
11	949645	Blade, Fan
13	999747	Switch, Water Level Control
14	487871	Screw, 8-32 x 3/8
15	1155670	Cord, Appliance
16	998779	Plate, Orifice
17	998802	Seal
18	489001	Palnut, 3/8-32
19	998730	Spring, Water Level
20	488248	Screw, S.M.#8 x 3/4A
21		Washer, Repair
	489083	.045 Thickness
	489029	.062 Thickness
	489091	.091 Thickness
23	998744	Support
24	1159222	Screw, 8 x 1/4 (2)
25	602851	Tie, Cable
26	1155109	Thermostat, De-icer
27	488234	Screw, 8-32 x 1/4 (2)
28	471363	Clamp, Tube (2)

UNIT PARTS

For Model: AD0402XS2

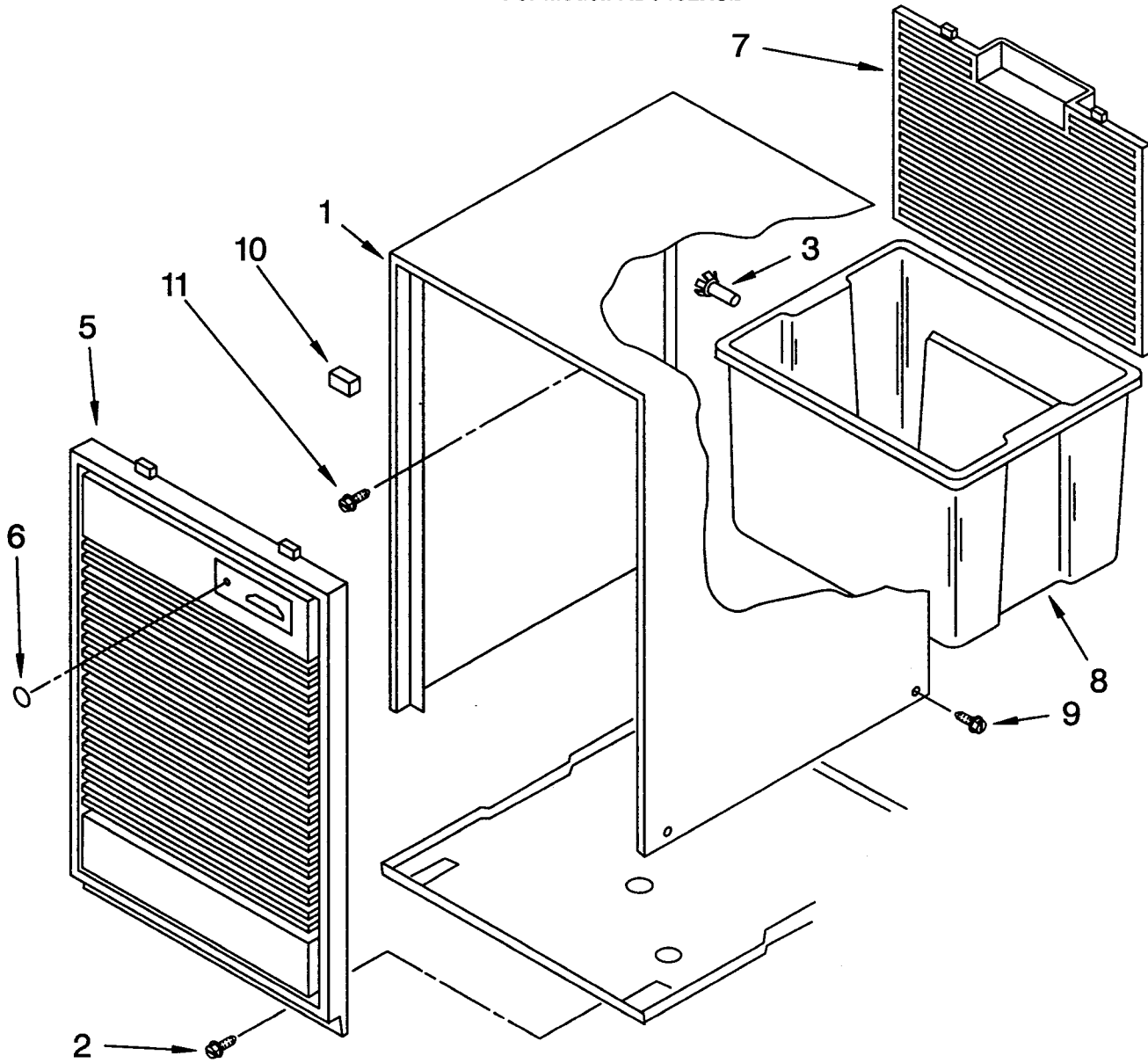


FOR ORDERING INFORMATION REFER TO PARTS PRICE LIST

1	1161197	Condenser
2	1161189	Tube, Restrictor (Length 36.00")
3	474013	Strainer, Tube
4	1161348	Tube, Outlet (Includes No.3)
10	1158823	Overload, Protector
11	1156815	Relay, Start
12	1157582	Cover, Terminal
13	938384	Retainer, Cover
14	1161199	Evaporator
15	488624	Screw, 8 x 3/8 (4)
16	998867	Seal
17	486197	Nut, Speed (4)
18	488400	Screw, 1/4-28 x 1" (4)
19	484136	Harness, Wire
20	1156748	Grommet (4)
21	1157584	Base
22	998726	Roller (2)
24	489015	Pin, Roller (2)
25	876684	Compressor, Service (Complete Assembly)
26	831282	Retainer, Cover
27	865068	Cover, Terminal
28	876686	Overload
29	549086	Spring, Overload
30	876689	Relay
31	951886	Glide (2)
32	855199	Bend, Return (17)
33	854624	Bend, Return

CABINET PARTS

For Model: AD0402XS2



FOR ORDERING INFORMATION REFER TO PARTS PRICE LIST

1	998821	Cabinet
2	489120	Screw, #8 x 1/2 (2)
3	998813	Retainer Pin (Rear Grille)
5	950269	Grille, Front
6	998846	Lens, Light
7	998832	Grille, Rear
8	951901	Pan, Condensate
9	1158781	Screw
10	948584	Spacer, Grille
11	489073	Screw, 8 x 3/8 (2)

Following Parts Not Illustrated and Optional Parts Not Included

646753	Cap, Condensate Pan
647338	Washer, Cap (Condensate Pan)
485426	Lacquer, Starlight Gray (1/2 Pt. Uncut)
484310	Epoxy, Tube (Aluminum Repair)
505168	Tape, No Drip Valve, Access
978025	1/4" Tube O.D.
978026	5/16" Tube O.D.
978027	3/8" Tube O.D.
978028	1/2" Tube O.D.
978029	5/8" Tube O.D.
978030	3/4" Tube O.D.
978865	Seal, Ring Access Valve (20 Pack)

LITERATURE PARTS

LIT1161341	Tech Sheet And Wiring Diagram
LIT1156849	Guide, Use And Care
LIT884616	List, Repair Parts