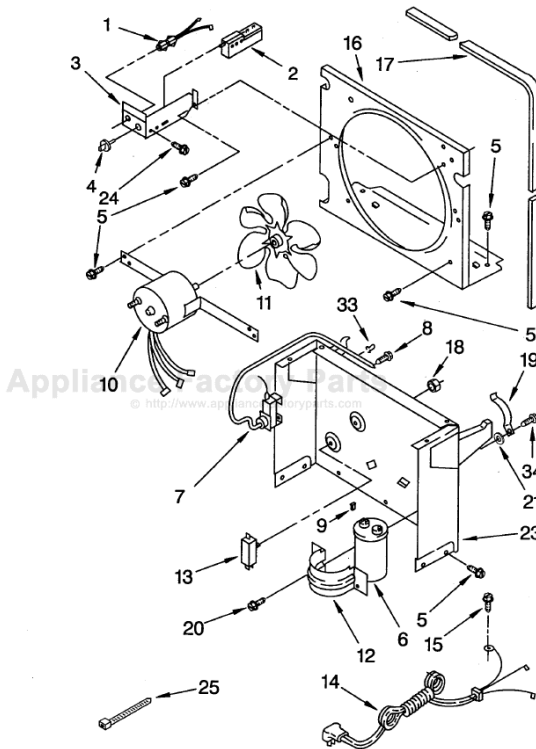


This Owner's Manual is provided and hosted by Appliance Factory Parts.



WHIRLPOOL AD0502XA0 Owner's Manual

[Shop genuine replacement parts for WHIRLPOOL
AD0502XA0](#)



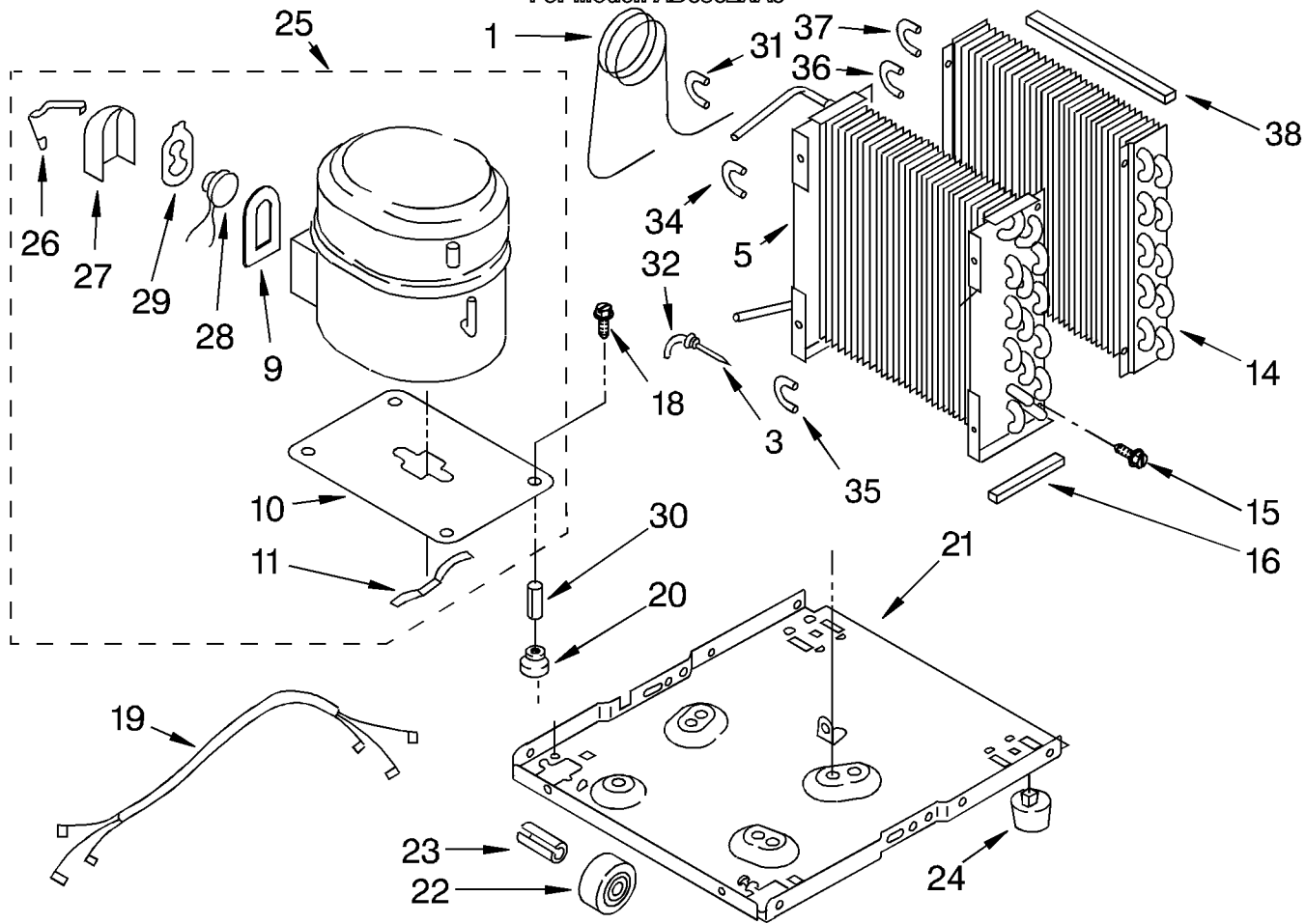
[Find Your WHIRLPOOL Dehumidifier Parts - Select From 309 Models](#)

----- Manual continues below -----

1	1162368	Light, Indicator
2	1162578	Humidistat, Control
3	951284	Bracket, Control
4	1162670	Knob, Control
5	488624	Screw, S.M. #8 x 3/8
6	1162586	Capacitor
7	1164779	Thermostat, De-icer
8	488234	Screw, 8-32 x 1/4 (2)
9	1159258	Cap, Tab
10	1162312	Motor, Fan
11	949645	Blade, Fan
12	1163801	Bracket, Cap Mtg
13	999747	Switch, Water Level Control
14	1155669	Cord, Appliance
15	487871	Screw, 8-32 x 3/8
16	998779	Plate, Orifice
17	1162704	Seal
18	489001	Palnut, 3/8-32
19	1161718	Spring, Water Level
20	488480	Screw, 8x1/2 (2)
21		Washer, Repair
	489083	.030 Thickness
	489029	.062 Thickness
	489091	.091 Thickness
23	1163800	Support
24	1162513	Screw (2)
25	602851	Tie, Cable (2)
33	471363	Clamp, Tube To Evaporator Mtg (2)
34	488248	Screw, 8 x 3/4 A

UNIT PARTS

For Model: AD0502XA0



1	1162154	Tube, Restrictor (36.0" Length)
3	1162526	Strainer
5	1162646	Condenser
9	798471	Gasket, Cover (Service Only)
10	876944	Plate, Compressor Mounting (Service Only)
11	643179	Spring, Mounting (ServiceOnly)
14	1161199	Evaporator
15	488624	Screw, 8 x 3/8 (4)
16	1162372	Seal
18	1163835	Screw, 1/4-28 x 1
19	484136	Harness, Wire
20	646499	Grommet (4)
21	1157584	Base
22	998726	Roller (2)
23	489015	Roll Pin (2)
24	951886	Glide (2)
25	1162658	Compressor, (Complete Assembly)
26		Retainer, Cover
	950056	Production
	832008	Service
27		Cover, Terminal
	950055	Production
	798470	Service
28		Overload
	951312	Production
	798479	Service
29		Spring, Overload
	950061	Production
	798469	Service
30	646498	Sleeve (4)
31	1158407	Bend, Return
32	708532	Bend, Return
34	708531	Bend, Return
35	1156533	Bend, Return
36	855199	Bend, Return
37	854624	Bend, Return
38	1162348	Seal, Evap. Top

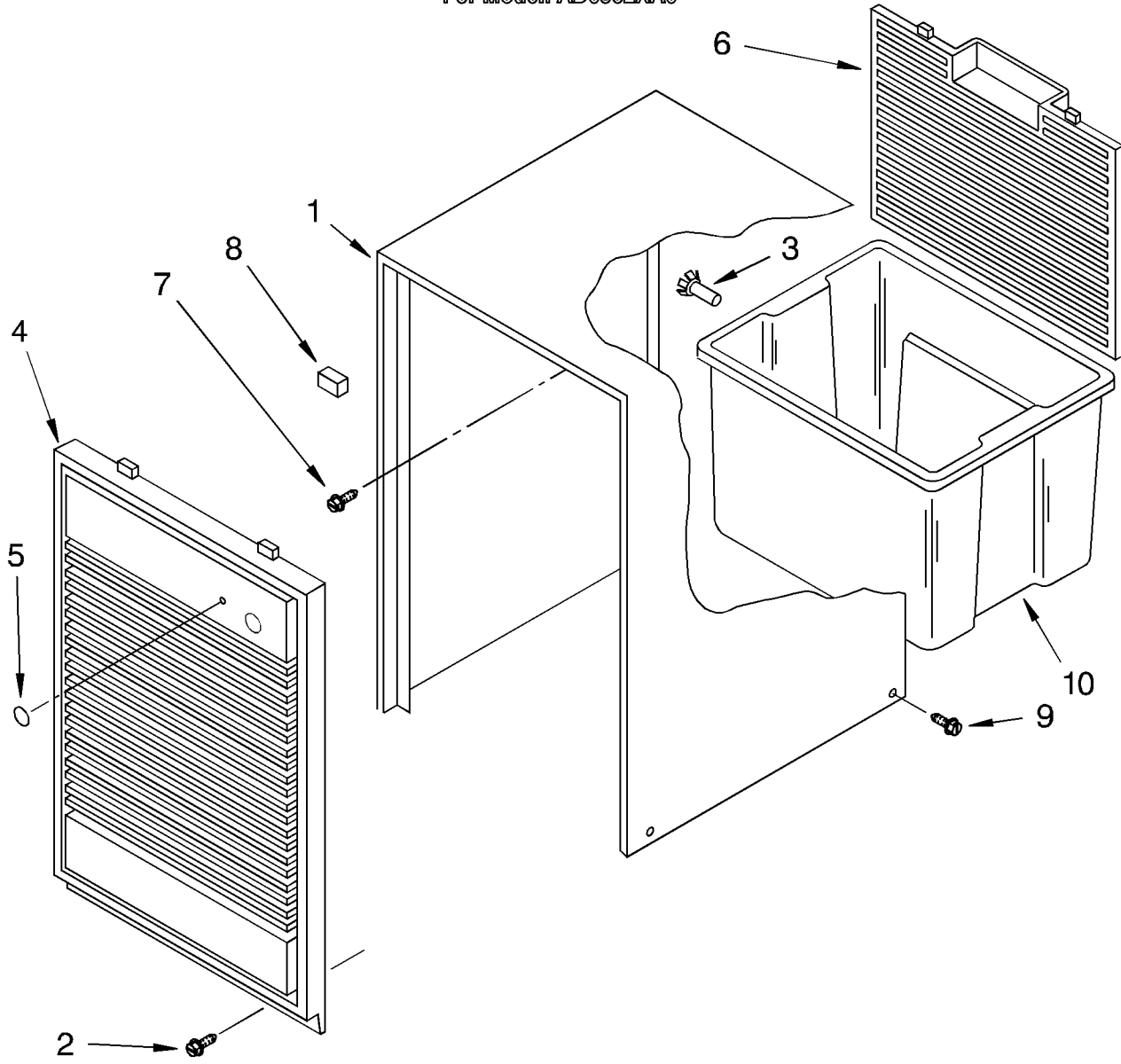
REFRIGERANT CHARGE

9.25 OZ. (Production R-500)(Service R-12)

Production Compressor Requires Production Electrical Components. Service Compressor Requires Service Electrical Components. For Further Information, Refer to Filmcard 19.1.

CABINET PARTS

For Model: AD0502XA0



1	1164265	Cabinet
2	1164763	Screw, 8-32 x 1/2
3	998813	Retainer, Pin (2) (Rear Grille)
4	1164263	Grille, Front (Includes, Illus. No.11.)
5	998846	Lens, Light
6	1164264	Grille, Rear
7	489073	Screw, SM #8 x 3/8
8	948584	Spacer, Grille
9	1158781	Screw
10	1164771	Pan, Condensate

LITERATURE PARTS

LIT1162687	Tech Sheet
LIT1155645	Wiring Diagram
LIT1164267	Guide, Use and Care

Following Parts Not Illustrated and Optional Parts Not Included

485426	Lacquer, Starlight Gray (1/2 Pt. Uncut)
646753	Cap, Condensate Pan
647338	Washer, Condensate Pan
799833	Epoxy, Tube (Aluminum Repair)
505168	Tape, No Drip (30') Valve, Access
978025	1/4" Tube O.D.
978026	5/16" Tube O.D.
978027	3/8" Tube O.D.
978028	1/2" Tube O.D.
978029	5/8" Tube O.D.
978030	3/4" Tube O.D.
978865	Seal, Ring Access valve (20 - Pack)
212643	Permagum, Sealer (4 - 12" Strips)