

This Owner's Manual is provided and hosted by [Appliance Factory Parts](#).



WHIRLPOOL D25A1 Owner's Manual

[Shop genuine replacement parts for WHIRLPOOL
D25A1](#)

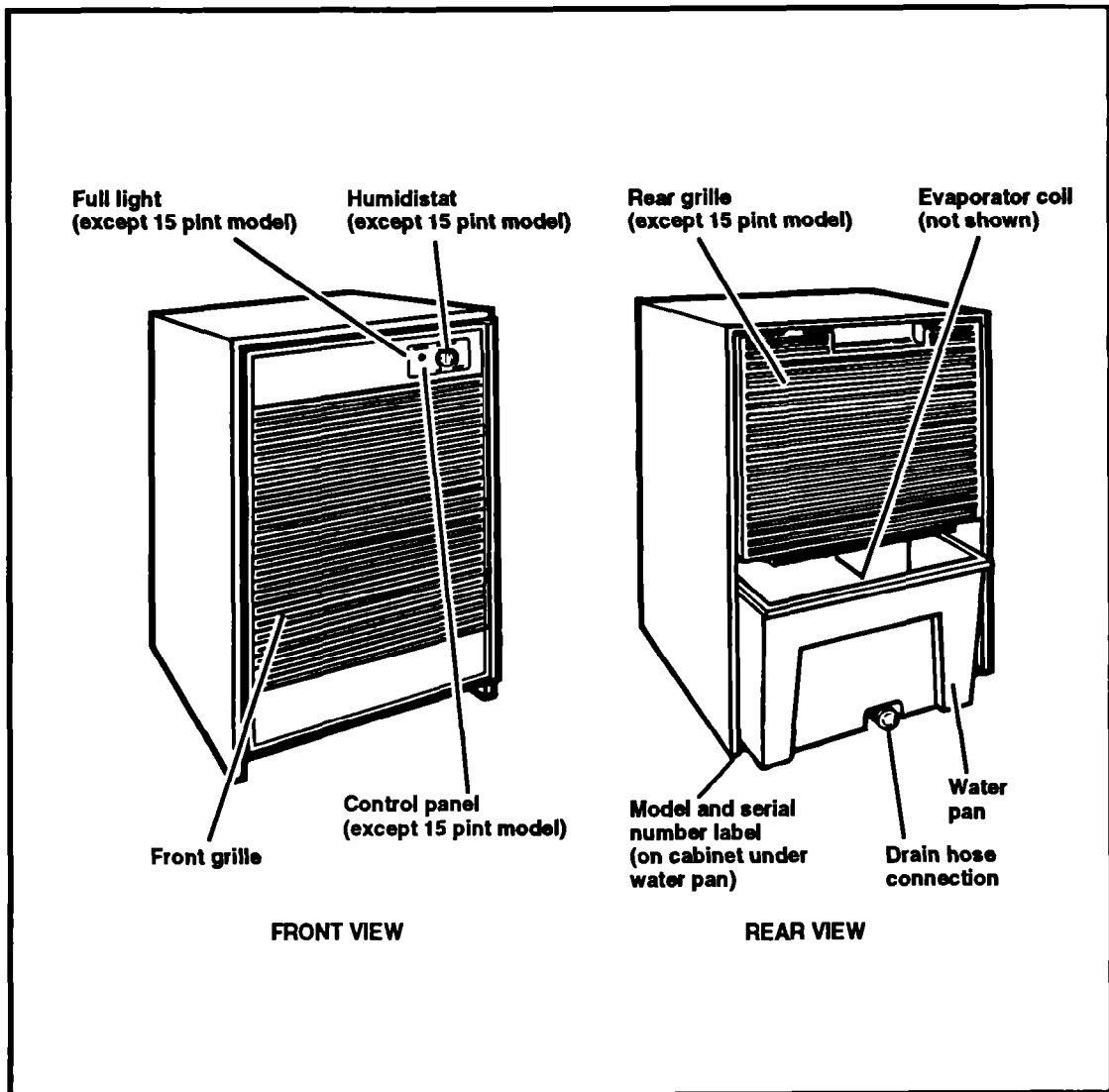


[Find Your WHIRLPOOL Dehumidifier Parts - Select From 309 Models](#)

----- Manual continues below -----

DEHUMIDIFIER

Use & Care Guide



Part No. 1162709 Rev. A

8-92

Contents

	Page
Important Safety Instructions	2
Before Using Your Dehumidifier	3
Install properly	3
Electrical requirements	4
Using Your Dehumidifier	5
15 pint model	6
25, 30, 40 and 50 pint models	6
Setting the water level adjustment	8
Water disposal methods	9
Caring For Your Dehumidifier	10
If You Need Service Or Assistance	12
Warranty	16

Thank you for buying this dehumidifier. Please complete the form below. Have this information ready if you need service or call with a question.

- Copy model and serial numbers from label (see diagram on front cover) and purchase date from sales slip.
- Keep this book and sales slip together in a handy place.

Model Number

Serial Number

Purchase Date

Service Company Phone Number

Important Safety Instructions

⚠ WARNING

To reduce the risk of fire, electrical shock or personal injury when using your dehumidifier, follow these basic precautions:

- Read all instructions before using your dehumidifier.
- Complete the installation and electrical requirements as described in "Before Using Your Dehumidifier" on pages 3 and 4.
- Never allow children to operate or play with the dehumidifier.
- Never clean dehumidifier parts with flammable fluids. The fumes can create a fire hazard or explosion.

• FOR YOUR SAFETY •

DO NOT STORE OR USE GASOLINE OR OTHER FLAMMABLE VAPORS AND LIQUIDS IN THE VICINITY OF THIS OR ANY OTHER APPLIANCE. THE FUMES CAN CREATE A FIRE HAZARD OR EXPLOSION.

It is your responsibility to be sure your dehumidifier:

- Is properly installed on a floor, table or shelf that is reasonably level and strong enough to support unit with a full pan of water. Unit can weigh between 22.5 kg (50 lbs.) and 33.8 kg (75 lbs.), depending on the amount of water collected in the pan.
- Is the correct size for the area you want to dehumidify.
- Is connected to the proper kind of outlet, with the correct electrical supply and grounding. (See "Electrical requirements" on page 4.)
- Is used only for jobs expected of home dehumidifiers.
- Is not used by children or anyone unable to operate it properly.
- Is properly maintained.
- Is used in an area where the room temperature will not fall below 18.3°C (65°F).

- SAVE THESE INSTRUCTIONS -

DO NOT REMOVE TECH SHEET from inside cabinet. Your service technician will need this information.

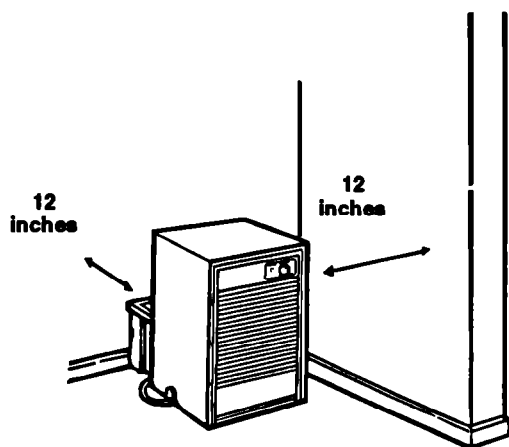
Before Using Your Dehumidifier

Install properly

⚠ WARNING

Personal Injury Hazard

Because your dehumidifier weighs between 22.5 kg (50 lbs.) and 33.8 kg (75 lbs.), depending on the amount of water collected in the pan, it is recommended that you use proper lifting techniques when lifting or moving your unit. Failure to do so could result in personal injury.



1. Allow at least 30.5 cm (12 inches) of space on all sides of the unit for good air circulation.

2. Install the unit on a floor, table or shelf. When installing the unit on a table or shelf, be sure it is strong enough to support the unit with a full pan of water. A table or shelf may be a better position from which to handle the water pan. Do not sit or stand on this product. The height of a table or shelf may help prevent icing of coils due to colder air near the floor (such as can be found in a basement).
3. Keep all outside doors, windows and other openings closed when dehumidifier is operating. Humid outdoor air will add to the dehumidifier's operating load.
4. **The water pan must be properly positioned, on the hangers inside the cabinet, when dehumidifier is operating in order for the automatic shut-off to operate correctly.**
5. On most models, two rollers let you easily move the dehumidifier. Remove the water pan. Tilt unit forward and roll to another position.
If your model does not have rollers, pick up the unit to move it to another position.

**Before Using Your Dehumidifier
Continued**

Electrical requirements

OBSERVE ALL GOVERNING CODES AND ORDINANCES.

Electrical ground is required on this appliance.

A 115 volt, 60 Hz., AC only, 15 ampere fused electrical supply is recommended. (Time delay fuse or circuit breaker is recommended.) It is recommended that a separate circuit serving only this appliance be provided. **Do not use an extension cord.**

DO NOT, UNDER ANY CIRCUMSTANCES, REMOVE THE POWER SUPPLY CORD GROUND PRONG.

Recommended grounding method

For your personal safety, this appliance must be grounded. This appliance is equipped with a power supply cord having a 3-prong grounding plug. To minimize possible shock hazard, the cord must be plugged into a mating grounding type wall receptacle, grounded in accordance with all local codes and ordinances. If a mating wall receptacle is not available, it is the responsibility of the customer to have a properly grounded, 3-prong wall receptacle installed by a qualified electrician.



Using Your Dehumidifier

You will use your dehumidifier more during months when you're not heating your home. However, your dehumidifier can help prevent excessive moisture and keep you comfortable all year long, in any area of your home.

- Use in a basement to help prevent moisture damage.



- Use in cooking, laundry, bathing and dishwashing areas which have excess moisture.



- Use to prevent moisture damage anywhere books or valuables are stored.



BEFORE USING YOUR DEHUMIDIFIER • USING YOUR DEHUMIDIFIER

15 pint model

This model does not have an On/Off Switch, a De-Icer Control or a Humidistat.

- To turn unit on—plug power supply cord into electrical outlet. Be sure to use the correct grounding technique. (See page 4.)
- To turn unit off—unplug power supply cord from electrical outlet.

NOTE: This unit may or may not have a water level control. (Refer to the diagram on page 8.)

- If your model has a water level control switch, it will automatically turn the unit off when the pan is full. You can adjust the level of water collected in the pan. (See “Setting the water level adjustment” on page 8.)
- If your unit does not have a water level control switch, the pan should be checked often and emptied when it is $\frac{1}{2}$ to $\frac{3}{4}$ full. You may also choose one of the alternate water disposal methods described on page 9 in “Water disposal methods.”

⚠ CAUTION

Do not operate dehumidifier at temperatures below 18.3°C (65°F). The coils may become iced over and unit will not operate properly.



25, 30, 40 and 50 pint models

Control panel

These units have a control panel containing two controls—the Pan Full Light and the Humidistat.

Pan Full Light—This light glows when the water pan is full and needs to be emptied.

Humidistat—This controls the amount of moisture left in the room. When the humidity in the room increases, the unit automatically starts. When the humidity decreases to the selected level, the unit automatically stops. The unit will run constantly when control is set to DRYEST.



Unit operation

1. Turn Humidistat to OFF. Plug power supply cord into electrical outlet. Be sure to use the correct grounding technique. (See page 4.)

2. Turn Humidistat left toward DRYEST for normal operation. Set at 5 or 6 to start. Adjust later, if necessary.

If you need more dehumidification, turn Humidistat left to a higher number. If you need less, turn Humidistat right to a lower number.

3. Stop the unit manually by turning Humidistat right to OFF.

De-icer control

⚠ CAUTION

Do not operate dehumidifier at temperatures below 18.3°C (65°F). The coils may become iced over and unit will not operate properly.

Your dehumidifier is equipped with a feature to help you get the most comfort from your new appliance by permitting it to operate down to 18.3°C (65°F). If your dehumidifier runs when room temperature and humidity conditions are low, frost can form on its evaporator coil. This interferes with proper operation.

The De-icer Control senses frost build-up on the evaporator coil and automatically shuts off the compressor. The fan continues to run, drawing air across the coil and melting the frost. When the coil is defrosted, the compressor is automatically restarted, and dehumidifying is resumed.

**Using Your Dehumidifier
Continued**



Setting the water level adjustment

The Water Level Adjustment can be set in two positions to turn off the unit automatically when the pan is full. This prevents the danger of overflow.

Pan must be in proper position for Water Level Control Switch to work.

- **NORMAL FILL**—set Water Level Adjustment to the indentation on the left side. The water pan and water will weigh approximately 7.2 kg (16 lbs.) and water pan will be $\frac{1}{2}$ full.
- **MAXIMUM FILL**—set Water Level Adjustment to the raised area on the right side. The water pan and water will weigh approximately 10.8 kg (24 lbs.) and water pan will be $\frac{3}{4}$ full.

The Water Level Control Switch will automatically turn off the dehumidifier at the fill level you selected when pan is properly placed. Loosen the screw to move the Water Level Adjustment. Retighten screw when adjusted to desired setting.

Water disposal methods

⚠ WARNING

Personal Injury Hazard
Do not use the water that collects in the water pan for drinking purposes. It is not sanitary and could cause illness.

There are three methods of disposing of water.

1. Empty pan manually.

When pan is full, remove it, empty it into a large sink or tub, and put it back in place. Be sure pan is properly placed so the Water Level Control Switch will work to shut off the unit automatically.



2. Place unit directly over drain.

Pan has a threaded hose connection which can be left open. Cut out opening with a knife or 19 mm (3/4") wood drill. Once opened, hose connection will continually drain water from the pan. Be sure to keep unit directly over a drain.



3. Attach garden hose to the threaded hose connection to carry water to drain.

- Pan has a threaded hose connection which can be left open. Cut out opening with a knife or 19 mm (3/4") wood drill.
- Attach garden hose. Be sure hose does not kink or bend. It should lie flat from unit to drain. (Hose is not included.)
- Once hose connection is opened, pan will continually drain through the hose. Be sure to keep hose flat and in drain.



Caring For Your Dehumidifier

Your dehumidifier is designed to serve you year-round. It needs practically no attention. However, you should check your dehumidifier and inspect the coils annually.

You may call a service company to perform this annual checkup or you can do it yourself. Cost of annual inspection is the owner's responsibility.

OR

If you are familiar with electrical appliances and their functions, below we have listed instructions which would allow you to do the inspection and maintenance yourself. However, we suggest you contact a qualified service company to perform this service, as we will not be held responsible for any personal injury or damages, should you elect to service this unit.

⚠ WARNING

Electrical Shock and Personal Injury Hazard

- **Disconnect power supply cord from receptacle before performing any maintenance. Failure to do so could result in electrical shock.**
- **Be careful when cleaning the coils. Fins are sharp. Failure to do so could result in personal injury.**



**Socket head screws
(on sides of cabinet)**

1. Disconnect power supply cord.
2. To remove outer cabinet:
 - To take off the plastic front grille, remove the two screws at the bottom. Drop grille down and take out.
 - Remove the socket head screws on each side of cabinet.

Top flange screws



- Remove the top flange screws.
- For 25, 30, 40 and 50 pint models: Remove the rear grille. Pull down at bottom and drop grille down.
- Lift cabinet from base.



3. Coils should be inspected annually. Brush clean, if necessary, with warm water and mild detergent. Rinse and dry thoroughly. **Be sure power supply cord is disconnected from receptacle.**
4. The compressor is sealed and needs no oiling. **The fan motor is prelubricated and does not require further oiling under normal operating conditions.** However, if the dehumidifier is operated under severe environmental conditions (dust, dirt, high temperatures) the fan motor should be oiled annually. Follow the instructions in step 5.

Fan motor oil tubes



5. Oil the motor through the tubes provided. Use SAE #20 grade oil.
6. Wash plastic parts with a soft cloth, warm water and mild detergent. Rinse and dry with a soft cloth.
7. Replace cabinet and grilles.
8. Reconnect power supply cord.

If You Need Service Or Assistance

Before you call for service ...

If you are having an operating problem, check the chart to see what the cause might be before you call for assistance.

PROBLEM	CHECK IF	WHAT TO DO
Unit won't run.	<ul style="list-style-type: none"> • Power cord is plugged into a live circuit with proper voltage. • Fuse has blown or circuit breaker has tripped. Also check if a time-delay fuse has been used. 	<ul style="list-style-type: none"> • Firmly plug power cord into electrical outlet. Check circuit voltage at fuse/circuit breaker box. • Replace fuse with a time-delay fuse of the correct capacity. Reset circuit breaker.
Unit blows fuses or trips circuit breaker.	<ul style="list-style-type: none"> • Time-delay fuse being used is of correct capacity. • An extension cord is being used. • Coils are iced over or clogged with lint. 	<ul style="list-style-type: none"> • Replace fuse with a time-delay fuse of the correct capacity. • Do not use an extension cord with this or any other appliance. • See "Unit ices over" section in this chart, or clean lint from coils (see pages 10-11 for instructions).
Unit ices over.	<ul style="list-style-type: none"> • Humidity is too low. • Room temperature is too cool. 	<ul style="list-style-type: none"> • Do not operate unit when humidity is low. • Do not operate unit in temperatures below 18.3°C (65°F). Damage to the unit could occur.
Water collects on floor.	<ul style="list-style-type: none"> • Unit is level. • Hose is kinked or drain is clogged. • Water pan is overflowing. 	<ul style="list-style-type: none"> • Level unit front-to-back and side-to-side. • Remove clog from drain or unkink hose. • Remove and empty water pan. Be sure to replace pan properly and check to see that the unit is level.

Special dehumidifier needs ...

- Annual Inspection
Clean coils, inspect drain and hoses. If necessary, oil the fan motor (see pages 10-11).
- Moving
When moving, keep the unit in an upright position.

For service in the U.S.

1. If you need assistance* ...

Call our Consumer Assistance Center telephone number. Dial free from anywhere in the U.S.:

1-800-253-1301

and talk with one of our trained consultants. The consultant can instruct you in how to obtain satisfactory operation from your appliance or, if service is necessary, recommend a qualified service company in your area.

2. If you need service* ...

We have a nationwide network of authorized service companies. Our service technicians are trained to fulfill the product warranty and provide after-warranty service, anywhere in the United States. To locate the authorized service company in your area, call our Consumer Assistance Center telephone number (see Step 1) or look in your telephone directory Yellow Page under:

**APPLIANCES – HOUSEHOLD –
MAJOR – SERVICE & REPAIR**

3. If you need replacement parts* ...

To locate replacement parts in your area, refer to Step 2 above or call our Consumer Assistance Center number in Step 1.

4. If you are not satisfied with how the problem was solved* ...

- Contact the Major Appliance Consumer Action Panel (MACAP). MACAP is a group of independent consumer experts that voices consumer views at the highest levels of the major appliance industry.
- Contact MACAP only when the dealer and authorized servicer have failed to resolve your problem.

Major Appliance Consumer Action Panel
20 North Wacker Drive
Chicago, IL 60606

- MACAP will in turn inform us of your action.
- * When requesting assistance, please provide: model number, serial number, date of purchase, and a complete description of the problem. This information is needed in order to better respond to your request.

If You Need Service Or Assistance
Continued

For service in Canada:

PROCARE APPLIANCE SERVICE-INGLIS LIMITED CONSUMER SERVICES

Direct service branches:

BRITISH COLUMBIA	Vancouver	Procare Appliance Service 2991 Grandview	604-432-7416
	Victoria	Procare Appliance Service 3117 Steele Street	604-386-2208
	Surrey	Procare Appliance Service Unit #2, 8145 - 130th St.	604-590-6422
ALBERTA	Calgary	Procare Appliance Service #15 6025 12th St. S.E.	403-253-9267
	Edmonton	Procare Appliance Service 12235 Fort Road	403-474-8576
ONTARIO	Toronto (Mississauga)	Procare Appliance Service 5945 Ambler Drive	416-624-2800
	Toronto (Markham)	Procare Appliance Service Unit #1, 110 Torbay Rd.	416-475-9511
	Windsor	Procare Appliance Service 3180 Grand Marais Ave. E.	519-944-3551
	London	Procare Appliance Service 317 Adelaide St. S., Suite 109	519-686-8633
	Hamilton	Procare Appliance Service 310 Kenora Avenue	416-560-7444
	Barrie	Procare Appliance Service 4 Alliance Blvd.	705-726-3922
	Ottawa	Procare Appliance Service 28 Capital Drive	613-225-0510
SASKATCHEWAN	Regina	Procare Appliance Service 660 Henderson Drive	306-569-9681
	Saskatoon	Procare Appliance Service 1505 Ontario Avenue	306-652-9285

MANITOBA	Winnipeg	Procure Appliance Service 1683 Church Avenue	204-694-5308
QUEBEC	Montreal East	Procure Appliance Service 8620 Pie IX Blvd.	514-376-5260
	Montreal West	Procure Appliance Service 6230 Trans Canada Highway	514-735-8402
	Brossard	Procure Appliance Service 9605 F. Ignace St.	514-397-1840
	Chicoutimi	Procure Appliance Service 163 Bosse Street W.	418-543-0267
	Quebec City	Procure Appliance Service 5275 Boul. Wilfrid Hamel, Suite 140	418-871-5251
	Sherbrooke (Rock Forest)	Procure Appliance Service 483 Industrial Blvd.	819-564-6565
	Trois Rivières	Procure Appliance Service 6183 Corbeil St.	819-375-9674
NOVA SCOTIA	Dartmouth	Procure Appliance Service 10 Akerley Blvd., Suite 23	902-468-6634

IF YOU NEED SERVICE OR ASSISTANCE

For service in areas other than those listed, contact your Appliance Dealer.

Dehumidifier Warranty

LENGTH OF WARRANTY	WE WILL PAY FOR														
FULL ONE-YEAR WARRANTY From Date of Purchase	Replacement parts and repair labor to correct defects in materials or workmanship.														
FULL FIVE-YEAR WARRANTY From Date of Purchase	Replacement parts to correct defects in materials or workmanship in the sealed refrigeration system. These parts are: <table border="0" style="margin-left: 20px;"> <tr> <td>1. Compressor</td> <td>4. Drier-Strainer</td> </tr> <tr> <td>2. Evaporator</td> <td>5. Connecting Tubing</td> </tr> <tr> <td>3. Condenser</td> <td></td> </tr> </table>	1. Compressor	4. Drier-Strainer	2. Evaporator	5. Connecting Tubing	3. Condenser									
1. Compressor	4. Drier-Strainer														
2. Evaporator	5. Connecting Tubing														
3. Condenser															
WE WILL NOT PAY FOR															
<table border="0" style="width: 100%;"> <tr> <td colspan="2">A. Service calls to:</td> </tr> <tr> <td colspan="2">1. Correct the installation of the dehumidifier.</td> </tr> <tr> <td colspan="2">2. Instruct you how to use the dehumidifier.</td> </tr> <tr> <td colspan="2">3. Replace house fuses or correct house wiring.</td> </tr> <tr> <td colspan="2">B. Pickup and delivery. This product is designed to be repaired in the home.</td> </tr> <tr> <td colspan="2">C. Damage to the dehumidifier caused by accident, misuse, fire, flood, acts of God or use of products not mentioned in this manual.</td> </tr> <tr> <td colspan="2">D. Repairs to parts or systems caused by unauthorized modifications made to the appliance.</td> </tr> </table>		A. Service calls to:		1. Correct the installation of the dehumidifier.		2. Instruct you how to use the dehumidifier.		3. Replace house fuses or correct house wiring.		B. Pickup and delivery. This product is designed to be repaired in the home.		C. Damage to the dehumidifier caused by accident, misuse, fire, flood, acts of God or use of products not mentioned in this manual.		D. Repairs to parts or systems caused by unauthorized modifications made to the appliance.	
A. Service calls to:															
1. Correct the installation of the dehumidifier.															
2. Instruct you how to use the dehumidifier.															
3. Replace house fuses or correct house wiring.															
B. Pickup and delivery. This product is designed to be repaired in the home.															
C. Damage to the dehumidifier caused by accident, misuse, fire, flood, acts of God or use of products not mentioned in this manual.															
D. Repairs to parts or systems caused by unauthorized modifications made to the appliance.															

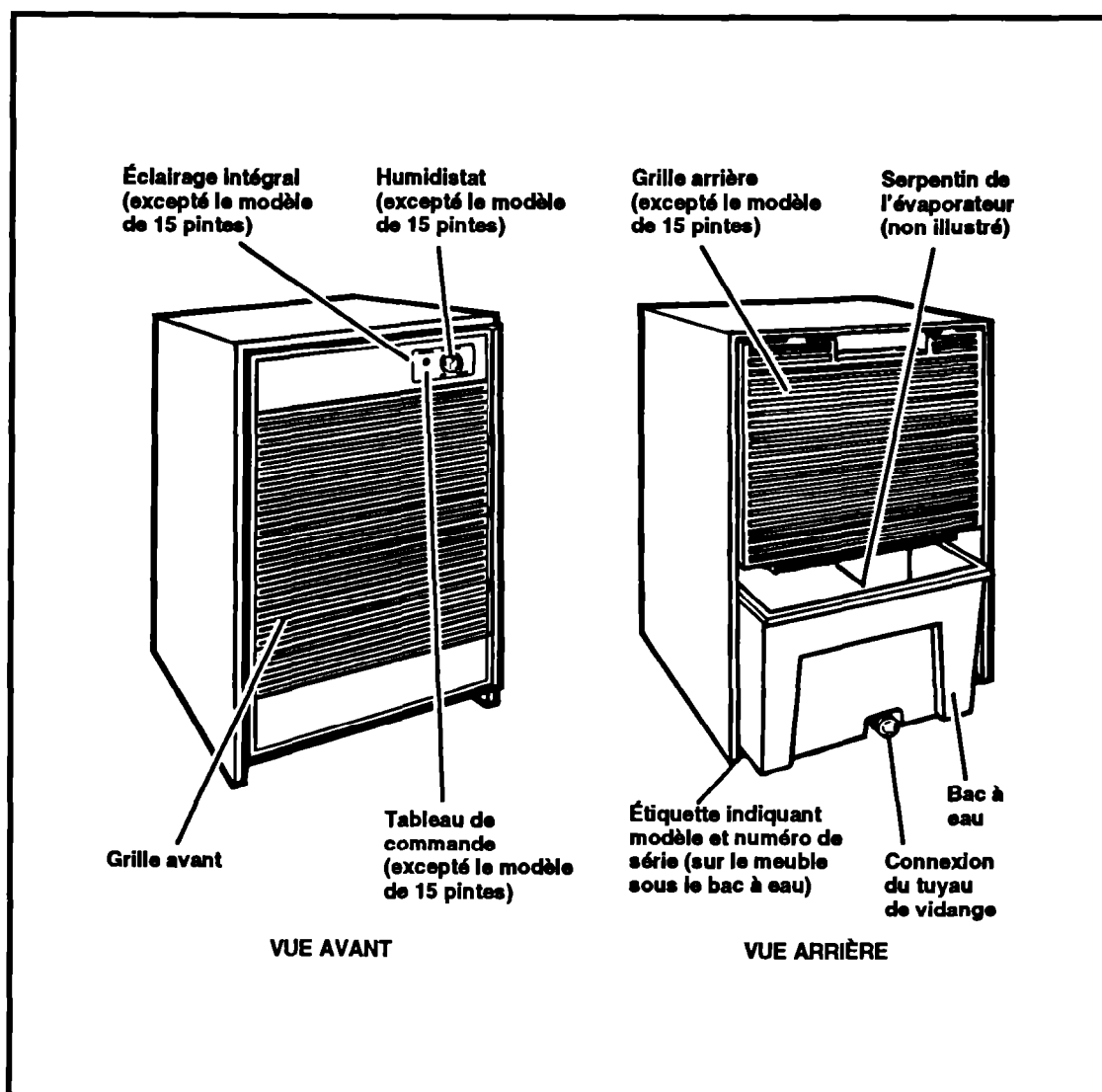
Service under the full warranties must be provided by an authorized service company. This warranty gives you specific legal rights, and you may also have other rights which vary from state to state or province to province.

Outside the United States or Canada, a different warranty may apply. For details, please contact your authorized distributor or military exchange.

If you need service, first see the "Service and Assistance" section of this book. After checking "Service and Assistance," additional help can be found by calling our Consumer Assistance Center telephone number, 1-800-253-1301, from anywhere in the U.S. For service in Canada, see "Procare Appliance Service" on page 14 for the service branch in your area.

DÉSHUMIDIFICATEUR

Guide d'utilisation et d'entretien



Avant d'utiliser votre déshumidificateur

Installation correcte

⚠ AVERTISSEMENT

Danger de blessures corporelles

Etant donné que votre déshumidificateur pèse entre 22,5 kg (50 lbs.) et 33,8 kg (75 lbs.), suivant la quantité d'eau recueillie dans le bac, il est recommandé d'utiliser des techniques de levage appropriées lorsque vous soulevez ou déplacez votre appareil. Le défaut de suivre ces conseils pourrait causer une blessure corporelle.



1. Laisser un espace d'au moins 30,5 cm (12 po) tout autour de l'appareil pour assurer une bonne circulation d'air.

2. Installer l'appareil sur le sol, une table ou une étagère. Lorsqu'on pose l'appareil sur une table ou une étagère, s'assurer que celles-ci sont assez solides pour supporter l'appareil avec un bac plein d'eau. Une table ou une étagère peut être une meilleure solution pour permettre de manipuler le bac à eau. Ne pas s'asseoir ou se tenir debout sur l'appareil. La hauteur de la table ou de l'étagère peut contribuer à empêcher le givre des serpentins en raison de la présence d'air plus froid près du plancher (tel qu'on le rencontrerait dans un sous-sol).
3. Fermer toutes les portes extérieures, fenêtres et autres ouvertures lorsque le déshumidificateur est en marche. L'air extérieur humide augmentera la charge de fonctionnement.
4. Le bac à eau doit être positionné comme il faut, sur les crochets à l'intérieur du meuble, lorsque le déshumidificateur est en marche afin que l'arrêt automatique fonctionne de manière appropriée.
5. Sur la plupart des modèles, deux rouleaux vous permettent de déplacer facilement le déshumidificateur. Enlever le bac à eau. Pencher l'appareil vers l'avant et le rouler dans une autre position.
Si votre modèle n'a pas de rouleaux, soulever l'appareil pour le déplacer dans une autre position.

**Avant d'utiliser votre déshumidificateur
(suite)**

Spécifications électriques

**RESPECTER TOUS LES RÈGLEMENTS ET
CODES GOUVERNEMENTAUX.**

**La masse électrique est indispensable pour
cet appareil.**

Une alimentation électrique de 115 volts, 60 Hz, courant alternatif seulement, avec un fusible de 15 ampères est recommandée. (Un fusible à retardement ou un disjoncteur est recommandé). Il est préférable d'utiliser un circuit séparé ne servant qu'à cet appareil. **Ne pas employer de rallonge électrique.**

**NE PAS ENLEVER, EN AUCUNE
CIRCONSTANCE, LA BROCHE DE TERRE DU
CORDON D'ALIMENTATION.**

Méthode recommandée de mise à terre

Pour votre sécurité personnelle, cet appareil doit être mis à la terre. Cet appareil est muni d'un cordon d'alimentation ayant une fiche à 3 broches avec mise à la terre. Pour minimiser le danger éventuel de choc, le cordon doit être branché dans une prise compatible de type mural avec mise à la terre, mis à la terre conformément à tous les règlements et codes locaux. Si l'on ne dispose pas d'une prise murale compatible, il appartient au client de faire installer une prise murale à 3 broches avec mise à la terre appropriée par un électricien qualifié.



Table des matières

	Page
Importantes consignes de sécurité	2
Avant d'utiliser votre déshumidificateur	3
Installation correcte	3
Spécifications électriques	4
Utilisation de votre déshumidificateur	5
Le modèle de 15 pintes	6
Les modèles de 25, 30, 40 et 50 pintes	6
Effectuer le réglage du niveau d'eau	8
Méthodes d'évacuation de l'eau	9
Entretien de votre déshumidificateur	10
Si vous avez besoin de service ou d'aide ...	12
Garantie	16

Nous vous remercions d'avoir acheté ce déshumidificateur. Prière de remplir l'imprimé ci-dessous. Lorsque vous avez besoin du service après-vente ou désirez poser une question, ayez les renseignements suivants à portée de main.

- Copiez les numéros de modèle et de série qui figurent sur l'étiquette (voir le diagramme sur le couvercle avant) et la date de l'achat sur la fiche de vente.
- Conservez la présente brochure et la fiche de vente ensemble, dans un endroit accessible.

Numéro du modèle

Numéro de série

Date de l'achat

Numéro de téléphone de l'entreprise d'entretien

NE PAS ENLEVER LA FICHE TECHNIQUE de l'intérieur du meuble. Votre technicien d'entretien aura besoin de ces renseignements.

Importantes consignes de sécurité

⚠ AVERTISSEMENT

Pour réduire le risque d'incendie, de choc électrique ou de blessure corporelle lors de l'utilisation de votre déshumidificateur, suivez ces précautions de base:

- Lisez toutes les consignes avant d'utiliser votre déshumidificateur.
- Achevez l'installation et conformez-vous aux spécifications électriques tel que décrit au chapitre "Avant d'utiliser votre déshumidificateur" en pages 3 et 4.
- Ne laissez jamais les enfants faire fonctionner le déshumidificateur ou jouer à proximité de celui-ci.
- Ne nettoyez jamais les pièces du déshumidificateur avec des liquides inflammables. Les vapeurs risquent de créer un danger d'incendie ou d'explosion.

• POUR VOTRE SÉCURITÉ •

NE PAS EMMAGASINER OU UTILISER D'ESSENCE OU D'AUTRES VAPEURS ET LIQUIDES INFLAMMABLES À PROXIMITÉ DE CET APPAREIL OU DE N'IMPORTE QUEL AUTRE APPAREIL. LES VAPEURS PEUVENT CRÉER UN DANGER D'INCENDIE OU UNE EXPLOSION.

Vous êtes responsable de vous assurer que votre déshumidificateur:

- Est installé de manière appropriée sur le sol, une table ou une étagère qui est raisonnablement de niveau et suffisamment solide pour supporter l'appareil avec un bac plein d'eau. L'appareil peut peser entre 22,5 kg (50 lbs.) et 33,8 kg (75 lbs.), suivant la quantité d'eau recueillie dans le bac.
- Est de la taille convenable pour la zone que vous voulez déshumidifier.
- Est branché au type de prise approprié, à l'alimentation électrique et la mise à la terre qu'il faut. (Voir "Spécifications électriques" à la page 4.)
- N'est employé que pour des tâches qui sont attendues de déshumidificateurs de maison d'habitation.
- N'est pas utilisé par des enfants ou quiconque n'est pas en mesure de le faire fonctionner comme il faut.
- Est bien entretenu.
- Est utilisé dans un endroit où la température ambiante ne tombera pas en-dessous de 18,3°C (65°F).

- CONSERVER CES CONSIGNES -

Utilisation de votre déshumidificateur

Vous utiliserez plus votre déshumidificateur pendant les mois qui ne nécessitent pas le chauffage de votre résidence. Toutefois, votre déshumidificateur peut contribuer à empêcher une humidité excessive et vous apporter le confort tout au long de l'année dans n'importe quelle partie de votre habitation.

- Au sous-sol pour contribuer à empêcher les dégâts causés par l'humidité.



- À la cuisine, la buanderie, la salle de bains et à proximité du lave-vaisselle où il y a un excès d'humidité.



- Pour empêcher les dommages causés par l'humidité dans les endroits où il y a des livres ou des objets de valeur.



Le modèle de 15 pintes

Ce modèle n'a pas d'interrupteur Marche/Arrêt, de commande de dégivrage ou d'humidistat.

- Pour mettre l'appareil en marche – brancher le cordon d'alimentation dans la prise de courant. S'assurer que l'on utilise la méthode de mise à la terre appropriée. (Voir page 4.)
- Pour arrêter l'appareil – débrancher le cordon d'alimentation de la prise de courant.

REMARQUE : Ce modèle peut être équipé d'une commande de niveau d'eau. Se référer au diagramme à la page 8.

- Si votre appareil est équipé d'une commande du niveau d'eau, il s'arrêtera automatiquement lorsque le bac est plein. Vous pouvez régler le niveau d'eau recueillie dans le bac. (Voir "Effectuer le réglage du niveau d'eau" à la page 8.)
- Si votre appareil n'a pas de commande de niveau d'eau, il est nécessaire de vérifier fréquemment le bac et de le vider lorsqu'il est à demi ou aux $\frac{3}{4}$ plein. Vous pouvez aussi choisir l'une des méthodes d'évacuation d'eau possibles décrites à la page 9 "Méthodes d'évacuation de l'eau."

⚠ AVERTISSEMENT

Ne pas faire fonctionner le déshumidificateur à des températures inférieures à 18,3°C (65°F). Les serpentins pourraient se givrer et l'appareil ne marchera pas de façon satisfaisante.

Les modèles de 25, 30, 40 et 50 pintes

Tableau de commande

Ces appareils sont munis d'un tableau de commande contenant deux commandes – la lampe témoin Plein et l'humidistat.

Lampe témoin Plein – Cette lampe témoin s'allume lorsque le bac à eau est plein et doit être vidé.

Humidistat – Cet instrument commande la quantité d'humidité restant dans la pièce. Lorsque l'humidité de la pièce augmente, l'appareil se met automatiquement en marche. Lorsque l'humidité diminue au niveau choisi, l'appareil s'arrête automatiquement. L'appareil marchera constamment lorsque la commande est en position DRYEST (le plus sec).





Fonctionnement de l'appareil

1. Tourner l'humidistat en position OFF (Appareil à l'arrêt). Brancher le cordon d'alimentation dans la prise de courant. S'assurer que l'on emploie la méthode appropriée de mise à la terre (Se reporter à la page 4.)
2. Tourner l'humidistat vers la gauche, vers DRYEST (le plus sec), pour le fonctionnement normal. Régler sur 5 ou 6 pour démarrer. Ajuster plus tard, si nécessaire.
Si vous avez besoin de plus de déshumidification, tourner l'humidistat vers la gauche sur un chiffre plus élevé. Si vous en désirez moins, tourner l'humidistat sur un chiffre plus bas.
3. Arrêter l'appareil manuellement en tournant l'humidistat vers la droite à OFF (Arrêt).

Commande de dégivrage

⚠ AVERTISSEMENT

Ne pas utiliser le déshumidificateur à des températures inférieures à 18,3°C (65°F). Les serpentins peuvent se givrer et l'appareil ne fonctionnera pas de façon satisfaisante.

Votre déshumidificateur est muni d'un dispositif qui contribue à vous apporter le maximum de confort en le mettant en mesure de fonctionner à une température aussi basse que 18,3°C (65°F). Si votre déshumidificateur fonctionne lorsque les conditions de température et d'humidité sont basses, du givre peut se former sur le serpentin de l'évaporateur, ce qui empêchera son bon fonctionnement.

La commande de dégivrage détecte l'accumulation de givre sur le serpentin de l'évaporateur et arrête automatiquement le compresseur. Le ventilateur continue à tourner, aspirant de l'air sur le serpentin et faisant fondre le givre. Lorsque le serpentin est dégivré, le compresseur est automatiquement remis en marche et la déshumidification recommence.

Utilisation de votre déshumidificateur (suite)



Effectuer le réglage du niveau d'eau

Le réglage du niveau d'eau peut être mis dans deux positions pour mettre l'appareil à l'arrêt automatiquement lorsque le bac est plein. Ceci empêche le risque de débordement.

Pour que l'interrupteur de commande du niveau d'eau fonctionne, le bac doit se trouver dans une position appropriée.

- **REPLISSAGE NORMAL** – placer le réglage du niveau d'eau dans le cran du côté gauche. Le bac et l'eau pèseront approximativement 7,2 kg (16 lbs.) et le bac à eau sera à moitié plein.
- **REPLISSAGE MAXIMUM** – placer le réglage du niveau d'eau dans la partie surélevée du côté droit. Le bac à eau et l'eau pèseront approximativement 10,8 kg (24 lbs.) et le bac à eau sera aux $\frac{3}{4}$ plein.

L'interrupteur de commande de niveau d'eau arrêtera automatiquement le déshumidificateur au niveau de remplissage que vous avez choisi lorsque le bac est placé comme il faut. Desserrer la vis pour déplacer le réglage de niveau d'eau. Resserrer la vis lorsque le réglage est fait de la manière désirée.

Méthodes d'évacuation de l'eau

⚠ AVERTISSEMENT

Danger de blessures corporelles
Ne pas utiliser l'eau qui est recueillie dans le bac à eau pour boire. Elle n'est pas potable et peut causer des maladies.

Il existe trois méthodes pour évacuer l'eau.

1. Vider le bac à la main.

Lorsque le bac est plein, le vider dans un grand évier ou une baignoire et le remettre en place. S'assurer que le bac est placé comme il faut, de façon à ce que l'interrupteur de commande du niveau d'eau fasse mettre l'appareil automatiquement à l'arrêt.



2. Placer l'appareil directement au-dessus de l'écoulement d'eau.

Le bac a un raccord de tuyau fileté qui peut être laissé ouvert. Découper l'ouverture avec un couteau ou une mèche à bois de 19 mm (¾ de po). Lorsque l'ouverture sera faite, le raccord de tuyau évacuera continuellement l'eau du bac. S'assurer que l'appareil se trouve directement au-dessus d'un écoulement d'eau.



3. Fixer un tuyau d'arrosage de jardin au raccord fileté de tuyau pour évacuer l'eau à l'écoulement.

- Le bac a un raccord fileté pour tuyau qui peut être laissé ouvert. Découper l'ouverture à l'aide d'un couteau ou une mèche à bois de 19 mm (¾ de po).
- Brancher le tuyau d'arrosage. S'assurer qu'il n'est pas plié ou tordu. Il devrait être à plat depuis l'appareil jusqu'à l'écoulement. (Tuyau non compris.)
- Une fois que le raccord du tuyau est ouvert, le bac se videra continuellement par le tuyau. S'assurer que le tuyau reste à plat et dans l'écoulement.



Entretien de votre déshumidificateur

Votre déshumidificateur est conçu pour servir toute l'année. Il n'a pratiquement pas besoin d'entretien. Cependant, vous devriez le vérifier et inspecter les serpentins annuellement.

Vous pouvez faire appel à un service d'entretien pour effectuer cette vérification annuelle ou bien vous pouvez la faire vous-même. Le coût de l'inspection annuelle est à la charge du propriétaire.

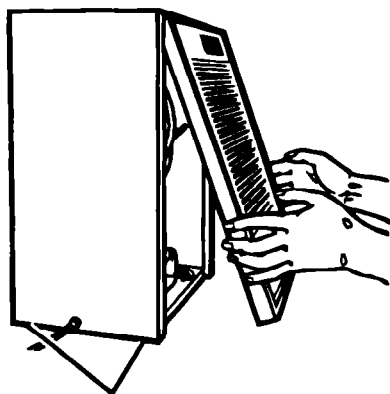
OU

Si vous êtes familier avec les appareils électriques et leur fonctionnement, nous avons indiqué, ci-dessous, les instructions à suivre pour inspecter et entretenir, vous-même, vos appareils électriques. Nous recommandons, cependant, que vous vous adressiez à un atelier de réparations qualifié pour faire ce service. Nous ne serons pas tenus responsables pour toutes blessures ou tous dommages survenus si vous choisissez de faire l'entretien de cet appareil vous-même.

⚠ AVERTISSEMENT

Choc électrique et danger de blessures corporelles

- Débranchez le cordon d'alimentation avant d'effectuer tout entretien. Le défaut de se conformer à cette recommandation pourrait causer un choc électrique.
- Soyez prudent lors du nettoyage des serpentins. Les ailettes sont aiguisées. Le défaut de se conformer à cet avertissement pourrait résulter en des blessures corporelles.



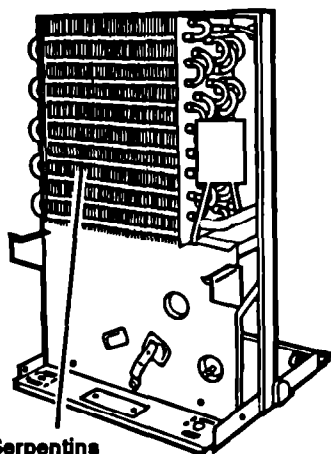
**Vis à tête creuse
(sur les côtés)**

1. Débrancher le cordon d'alimentation.
2. Pour enlever les panneaux extérieurs:
 - Pour enlever la grille avant en plastique, enlever les deux vis du bas. Abaisser la grille et la retirer.
 - Enlever les vis à tête creuse de chaque côté de l'appareil.

Vis de la collerette du haut



- Enlever les vis de la collerette du haut.
- **Pour les modèles de 25, 30, 40 et 50 pintes :** Enlever la grille arrière. Tirer vers le bas au fond et faire tomber la grille vers le bas.
- Soulever l'ensemble de la base.



Serpentins

3. Les serpentins devraient être inspectés annuellement. Les brosser, si nécessaire à l'eau chaude avec un détergent doux. Rincer et laisser sécher à fond. **S'assurer que le cordon d'alimentation est débranché.**
4. Le compresseur est scellé et n'exige pas de graissage. **Le moteur du ventilateur est pré lubrifié et n'exige pas d'autre graissage dans des conditions normales de fonctionnement.** Cependant, si le déshumidificateur fonctionne dans des conditions d'environnement pénibles (poussière, saletés, températures élevées), le moteur du ventilateur devrait être graissé annuellement. Suivre les consignes indiquées à l'étape 5.

Tubes de graissage du moteur du ventilateur



5. Graisser le moteur par les tubes prévus à cet effet. Utiliser de l'huile SAE No. 20.
6. Laver les pièces en plastique avec un chiffon doux, de l'eau chaude et un détergent doux. Rincer et sécher avec un chiffon doux.
7. Remettre la carrosserie et les grilles.
8. Rebrancher le cordon d'alimentation.

Si vous avez besoin de service ou d'aide

Avant de faire appel au service ...

Si vous avez un problème de fonctionnement, vérifiez le tableau pour essayer d'en déterminer la cause avant d'appeler un technicien.

PROBLÈME	VÉRIFIER SI	QUE FAIRE
L'appareil ne marche pas.	<ul style="list-style-type: none"> Le cordon d'alimentation est branché sur un circuit sous tension avec la tension appropriée. Le fusible a sauté ou le disjoncteur s'est déclenché. Vérifier aussi si on a utilisé un fusible à retardement. 	<ul style="list-style-type: none"> Brancher fermement le cordon d'alimentation dans la prise de courant. Vérifier la tension du circuit à la boîte à fusibles/au disjoncteur. Remplacer le fusible par un fusible à retardement de la capacité appropriée. Rétablir le disjoncteur.
L'appareil fait sauter les fusibles ou déclenche le disjoncteur.	<ul style="list-style-type: none"> Le fusible à retardement utilisé est de la capacité appropriée. Une rallonge a été utilisée. Les serpentins sont givrés ou encrassés. 	<ul style="list-style-type: none"> Remplacer le fusible par un fusible à retardement de la capacité appropriée. Ne pas utiliser de rallonge avec cet appareil ou avec tout autre appareil. Voir le chapitre "L'appareil se givre" au présent tableau, ou nettoyer les peluches des serpentins (voir les recommandations aux pages 10-11).
L'appareil se givre.	<ul style="list-style-type: none"> L'humidité est trop basse. La température de la pièce est trop froide. 	<ul style="list-style-type: none"> Ne pas faire marcher l'appareil lorsque l'humidité est basse. Ne pas faire marcher l'appareil à des températures inférieures à 18,3°C (65°F). Des dommages pourraient se produire à l'appareil.
De l'eau tombe sur le plancher	<ul style="list-style-type: none"> L'appareil est de niveau. Le tuyau est pincé ou l'écoulement est bouché. Le bac à eau déborde. 	<ul style="list-style-type: none"> Mettre l'appareil de niveau d'avant en arrière et d'un côté à l'autre. Enlever le bouchon de l'écoulement ou dépincer le tuyau. Enlever et vider le bac à eau. Bien replacer le bac comme il faut et vérifier pour s'assurer que l'appareil est de niveau.

Besoins spéciaux du déshumidificateur ...

- Inspection annuelle
Nettoyer les serpentins, inspecter l'écoulement et les tuyaux. Graisser le moteur du ventilateur, si nécessaire (voir pages 10-11).
- Déplacement
En cas de déplacement, maintenir l'appareil en position verticale.

Pour service aux É.U. :

1. Si vous avez besoin d'assistance* ...

Appelez le numéro de téléphone du Centre d'Assistance aux consommateurs. Composez gratuitement depuis tout point des É.U. :
1-800-253-1301

et parlez à l'un de nos consultants formés. Le consultant peut vous indiquer comment obtenir un fonctionnement satisfaisant de votre appareil ou, si un service est nécessaire, recommander une société de service compétente dans votre région.

2. Si vous avez besoin de service* ...

Nous avons un réseau national de sociétés de service autorisées. Les techniciens de service sont formés pour remplir les conditions de la garantie du produit n'importe où aux États-Unis. Pour trouver la société de service autorisée dans votre région, appeler notre numéro de téléphone du Centre d'Assistance aux consommateurs (voir étape 1) ou consulter les Pages Jaunes de votre annuaire du téléphone à la rubrique:

GROS APPAREILS - ÉLECTROMÉNAGERS -
SERVICE & RÉPARATIONS

3. Si vous avez besoin de pièces de rechange* ...

Pour trouver des pièces de rechange dans votre région, se référer à l'étape 2 ci-dessus ou appelez le numéro du Centre d'Assistance aux Consommateurs indiqué à l'étape 1.

4. Si vous n'êtes pas satisfait de la manière dont le problème a été résolu* ...

- Prendre contact avec le Major Appliance Consumer Action Panel (MACAP). MACAP est un groupe de consommateurs experts indépendants qui exprime les vues des consommateurs aux niveaux les plus élevés de l'industrie des gros appareils électroménagers.
- Prendre contact avec MACAP seulement lorsque le concessionnaire ou la maison de service autorisée n'ont pas corrigé votre problème.

Major Appliance Consumer Action Panel
20 North Wacker Drive
Chicago, IL 60606

- MACAP à son tour nous informera de votre action.

*Si vous avez besoin d'assistance, prière de fournir : le numéro de modèle, le numéro de série, la date d'achat et une description complète du problème. Ces renseignements sont nécessaires pour mieux répondre à votre demande.

Si vous avez besoin de service ou d'aide
(suite)

Pour service au Canada :

PROCARE SERVICE D'APPAREILS MÉNAGERS-INGLIS LIMITÉE SERVICE AUX CONSOMMATEURS

Succursales de service de district :

COLOMBIE BRITANNIQUE	Vancouver	Procure Service D'appareils Ménagers 2991 Grandview Hwy.	604-432-7416
	Victoria	Procure Service D'appareils Ménagers 3117 Steele Street	604-386-2208
	Surrey	Procure Service D'appareils Ménagers Unit #2, 8145 - 130th St.	604-590-6422
ALBERTA	Calgary	Procure Service D'appareils Ménagers #15 6025 12th St. S.E.	403-253-9267
	Edmonton	Procure Service D'appareils Ménagers 12235 Fort Road	403-474-8576
ONTARIO	Toronto (Mississauga)	Procure Service D'appareils Ménagers 5945 Ambler Drive	416-624-2800
	Toronto (Markham)	Procure Service D'appareils Ménagers Unit #1, 110 Torbay Rd.	416-475-9511
	Windsor	Procure Service D'appareils Ménagers 3180 Grand Marais Ave. E.	519-944-3551
	London	Procure Service D'appareils Ménagers 317 Adelaide St. S., Suite 109	519-686-8633
	Hamilton	Procure Service D'appareils Ménagers 310 Kenora Avenue	416-560-7444
	Barrie	Procure Service D'appareils Ménagers 4 Alliance Blvd.	705-726-3922
	Ottawa	Procure Service D'appareils Ménagers 28 Capital Drive	613-225-0510
SASKATCHEWAN	Regina	Procure Service D'appareils Ménagers 660 Henderson Drive	306-569-9681
	Saskatoon	Procure Service D'appareils Ménagers 1505 Ontario Avenue	306-652-9285

MANITOBA	Winnipeg	Procare Service D'appareils Ménagers 1683 Church Avenue	204-694-5308
QUÉBEC	Montréal Est	Procare Service D'appareils Ménagers 8620, boul. Pie IX	514-376-5260
	Montréal Ouest	Procare Service D'appareils Ménagers 6230, route Transcanadienne	514-735-8402
	Brossard	Procare Service D'appareils Ménagers 9605, rue F. Ignace	514-397-1840
	Chicoutimi	Procare Service D'appareils Ménagers 163, rue Bosse Ouest	418-543-0267
	Québec	Procare Service D'appareils Ménagers 5275, boul. Wilfrid Hamel, Bureau 140	418-871-5251
	Sherbrooke (Rock Forest)	Procare Service D'appareils Ménagers 483, boul. Industrial	819-564-6565
	Trois-Rivières	Procare Service D'appareils Ménagers 6183, rue Corbeil	819-375-9674
NOUVELLE-ÉCOSSE	Dartmouth	Procare Service D'appareils Ménagers 10 Akerley Blvd., Suite 23	902-468-6634

Pour obtenir des services techniques en dehors des centres mentionnés,
veuillez communiquer avec votre marchand d'appareils.

Garantie du déshumidificateur

DURÉE DE LA GARANTIE	NOUS SUPPORTERONS LES FRAIS DE
GARANTIE COMPLÈTE D'UN AN À compter de la date de l'achat	Pièces de rechange et la main-d'œuvre de réparation pour corriger les défauts de matériaux ou de main-d'œuvre.
GARANTIE COMPLÈTE DE CINQ ANS À compter de la date de l'achat	Pièces de rechange et la main-d'œuvre de réparation pour corriger les défauts de matériaux ou de main-d'œuvre dans le système scellé de réfrigération. Ces pièces sont: 1. Compresseur 4. Séchoir-tamis 2. Évaporateur 5. Tube de raccord 3. Condenseur
NOUS NE SUPPORTERONS PAS LES FRAIS DE	
A. D'appels de service pour: 1. Corriger l'installation du déshumidificateur. 2. Vous enseigner comment utiliser le déshumidificateur. 3. Remplacer les fusibles de la maison ou corriger le câblage de la maison. B. L'enlèvement et la livraison. Ce produit est conçu pour être réparé dans l'habitation. C. Les dommages au déshumidificateur causés par accident, mauvais emploi, incendie, inondation, cas de force majeure ou utilisation de produits non cités dans ce manuel. D. Réparations des pièces ou systèmes imputables à des modifications non autorisées de l'appareil.	

Le service en vertu des garanties totales doit être fourni par une entreprise de service autorisée. Cette garantie vous donne des droits légaux spécifiques, et il se peut que vous ayez d'autres droits qui varient d'un état à état ou d'une province à l'autre.

En dehors des États-Unis ou du Canada, une garantie différente peut s'appliquer. Pour de plus amples détails, prière de prendre contact avec votre distributeur autorisé ou magasin de l'armée.

Si vous avez besoin de service, voir d'abord le chapitre "Service et Assistance" du présent ouvrage. Après avoir vérifié avec "Service et Assistance," une aide supplémentaire est disponible en appelant notre numéro de téléphone du Centre d'Assistance aux Consommateurs, 1-800-253-1301, à partir de n'importe où aux États-Unis. Pour service au Canada, voir "Procare Service D'appareils Ménagers" à la page 14 pour obtenir les succursales de service local.