

x

PARTS LIST

for



DEHUMIDIFIER

Model

D25A2

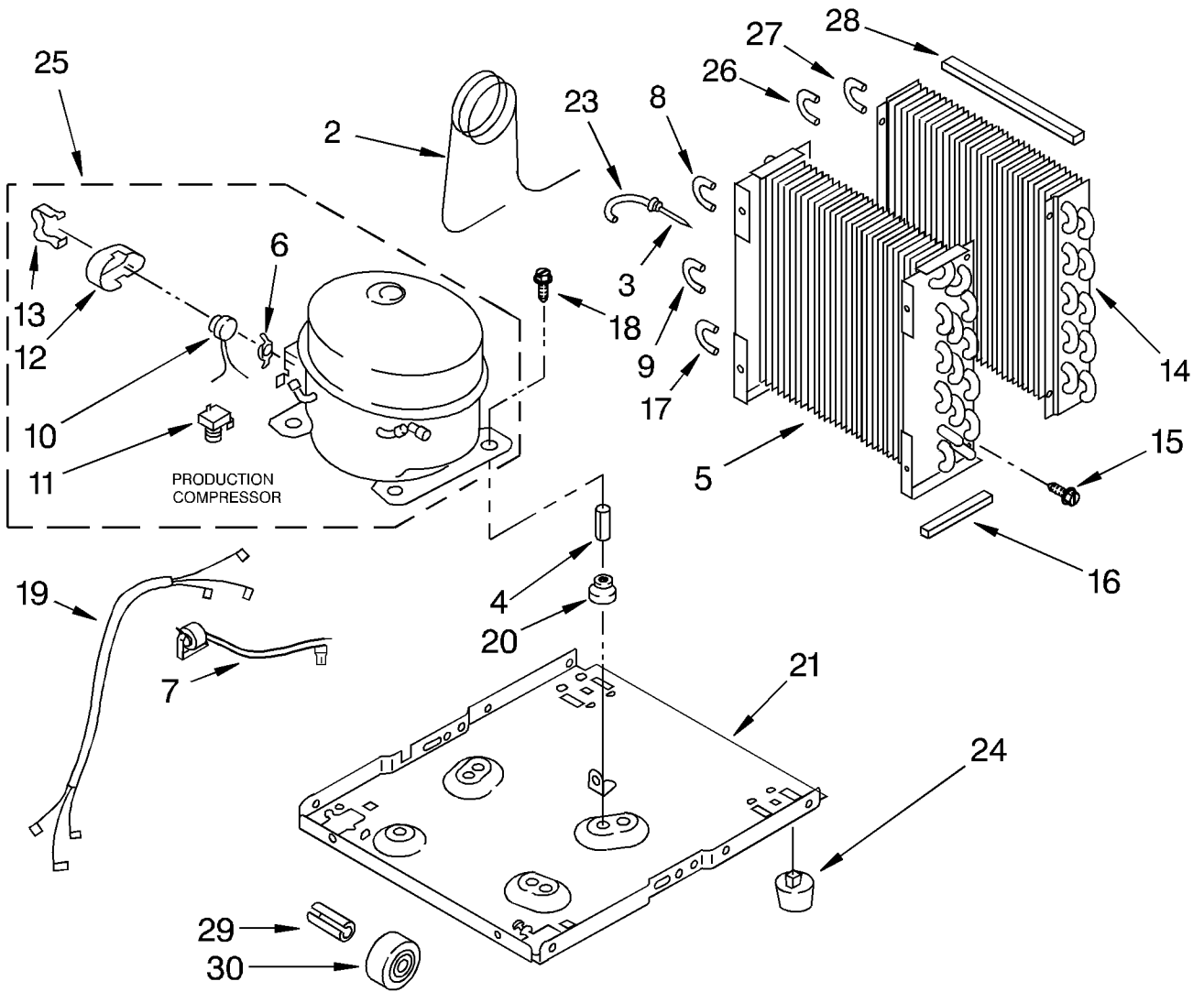


FOR CUSTOMER SATISFACTION ALWAYS USE
FACTORY SPECIFICATION PARTS



UNIT PARTS

For Model: D25A2



2	1162154	Tube, Restrictor
3	1162526	Strainer, Tube
4	646498	Sleeve
5	1163097	Condenser
6	950061	Spring, Overload
7	1166013	Deicer
8	1158407	Bend, Return (1)
9	708531	Bend, Return (8)
10	1164775	Overload, Protector
11	950058	Relay, Start
12	950055	Cover, Terminal
13	950056	Retainer, Cover
14	1161199	Evaporator
15	488480	Screw, 8 x 1/2
16	1162372	Seal
17	708532	Bend, Return (4)
18	1166034	Bolt, 1/4-28 x 1" (4)
19	1165265	Harness, Wire
20	646499	Grommet (4)
21	1157584	Base
23	1156533	Bend, Return (1)
24	951886	Glide (2)
25	1164773	Compressor (Complete Assembly)
26	855199	Bend Return (8)
27	854624	Bend, Return (1)
28	1162348	Seal, Evaporator Top
29	489015	Roll Pin (2)
30	998726	Roller (2)

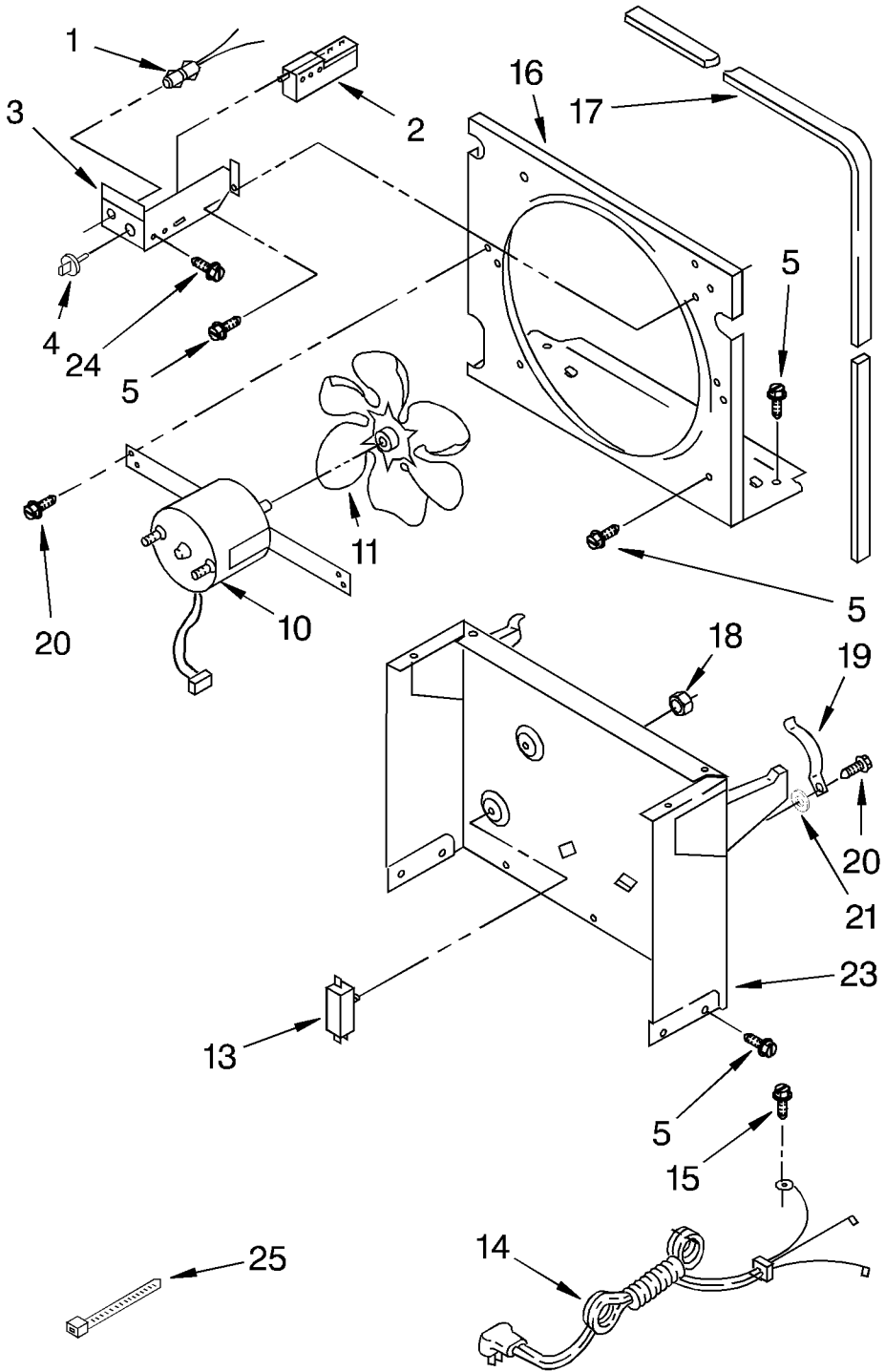
LITERATURE PARTS

LIT1166032	Sheet, Tech
LIT1166033	Wiring Diagram
LIT1162709	Use and Care Guide
LIT1166001	List, Repair Parts

REFRIGERANT CHARGE 7.75 OZ.

AIR FLOW AND CONTROL PARTS

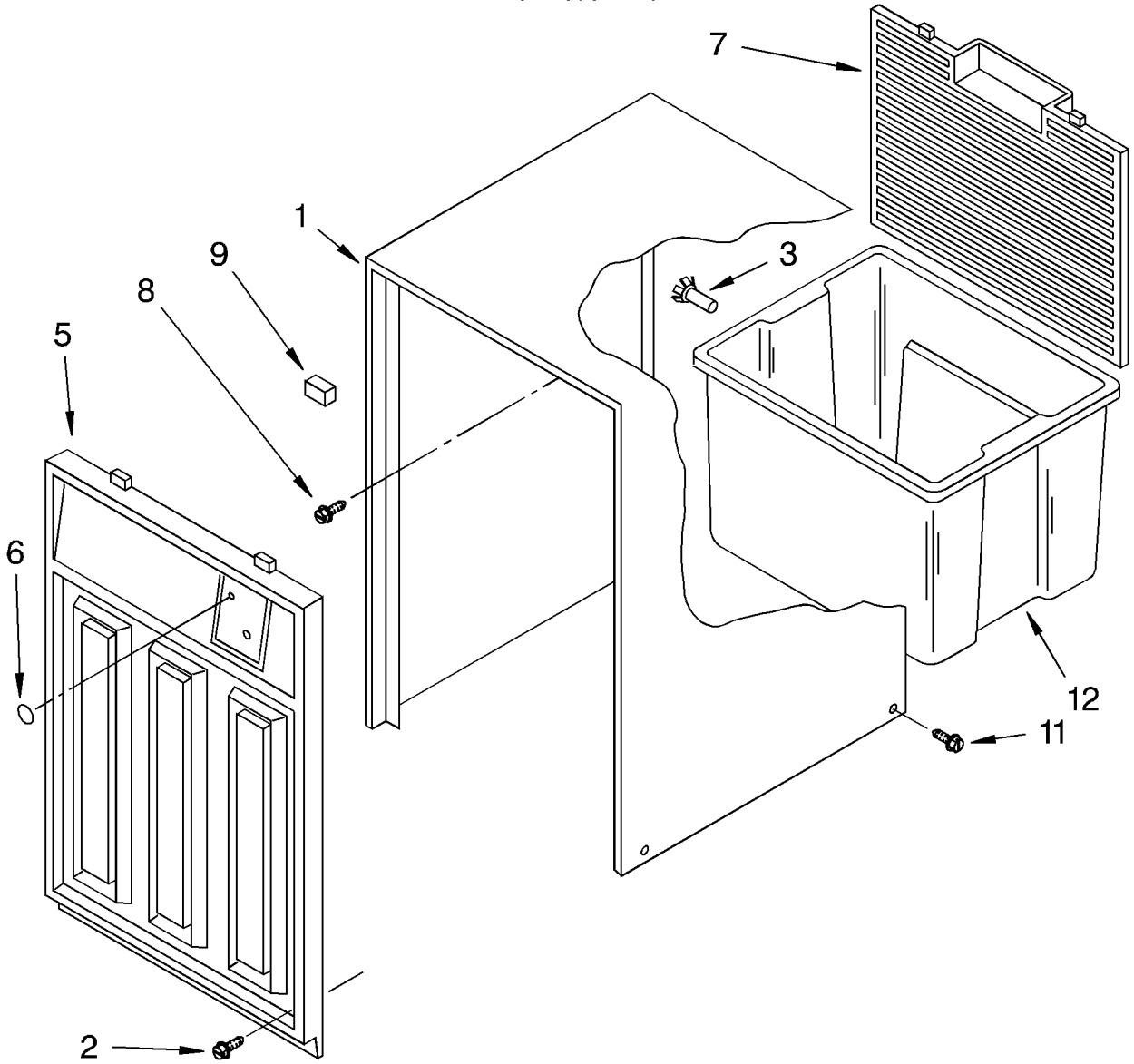
For Model: D25A2



1	1164804	Light, Indicator
2	1162578	Humidistat, Control
3	951284	Bracket, Control
4	1162670	Knob, Control
5	488480	Screw, S.M. #8 x 1/2 A
10	1164813	Motor, Fan
11	949645	Blade, Fan
13	999747	Switch, Water Level Control
14	1164784	Cord, Appliance
15	487871	Screw, 8-32 x 3/8
16	998779	Plate, Orifice
17	1162704	Seal
18	489001	Palnut, 3/8-32
19	1161718	Spring, Water Level
20	1166054	Screw 8-18 x 5/8
21		Washer, Repair
	489083	.030 Thickness
	489029	.062 Thickness
23	1163800	Support
24	1162513	Screw, 8-18 x 1/4
25	602851	Tie, Cable (3)

CABINET PARTS

For Model: D25A2



1	998821	Cabinet
2	1164763	Screw, 8-32 x 1/2 (2)
3	998813	Retainer, Pin (2) (Rear Grille)
5	1162665	Grille, Front Assembly
6	998846	Lens, Light
7	998832	Grille, Rear
8	489073	Screw, #8 x 3/8
9	948584	Spacer, Grille
11	1158781	Screw,
12	951901	Pan, Condensate

Following Parts Not Illustrated and Optional Parts Not Included

485426	Lacquer, Starlight Gray (1/2 Pt. Uncut)
646753	Cap, Condensate Pan
647338	Washer, Condensate Pan
799833	Epoxy, Tube (Aluminum Repair)
505168	Tape, No Drip (30') Valve, Access
978025	1/4" Tube O.D.
978026	5/16" Tube O.D.
978027	3/8" Tube O.D.
978028	1/2" Tube O.D.
978029	5/8" Tube O.D.
978030	3/4" Tube O.D.
978865	Seal, Ring Access Valve (20 Pack)
212643	Sealer, Permagum (4-12" Strips)