

This Owner's Manual is provided and hosted by [Appliance Factory Parts](#).



WHIRLPOOL D30A0 Owner's Manual

[Shop genuine replacement parts for WHIRLPOOL
D30A0](#)



[Find Your WHIRLPOOL Dehumidifier Parts - Select From 309 Models](#)

----- Manual continues below -----

PARTS LIST

for



DEHUMIDIFIER

MODEL

D25B0

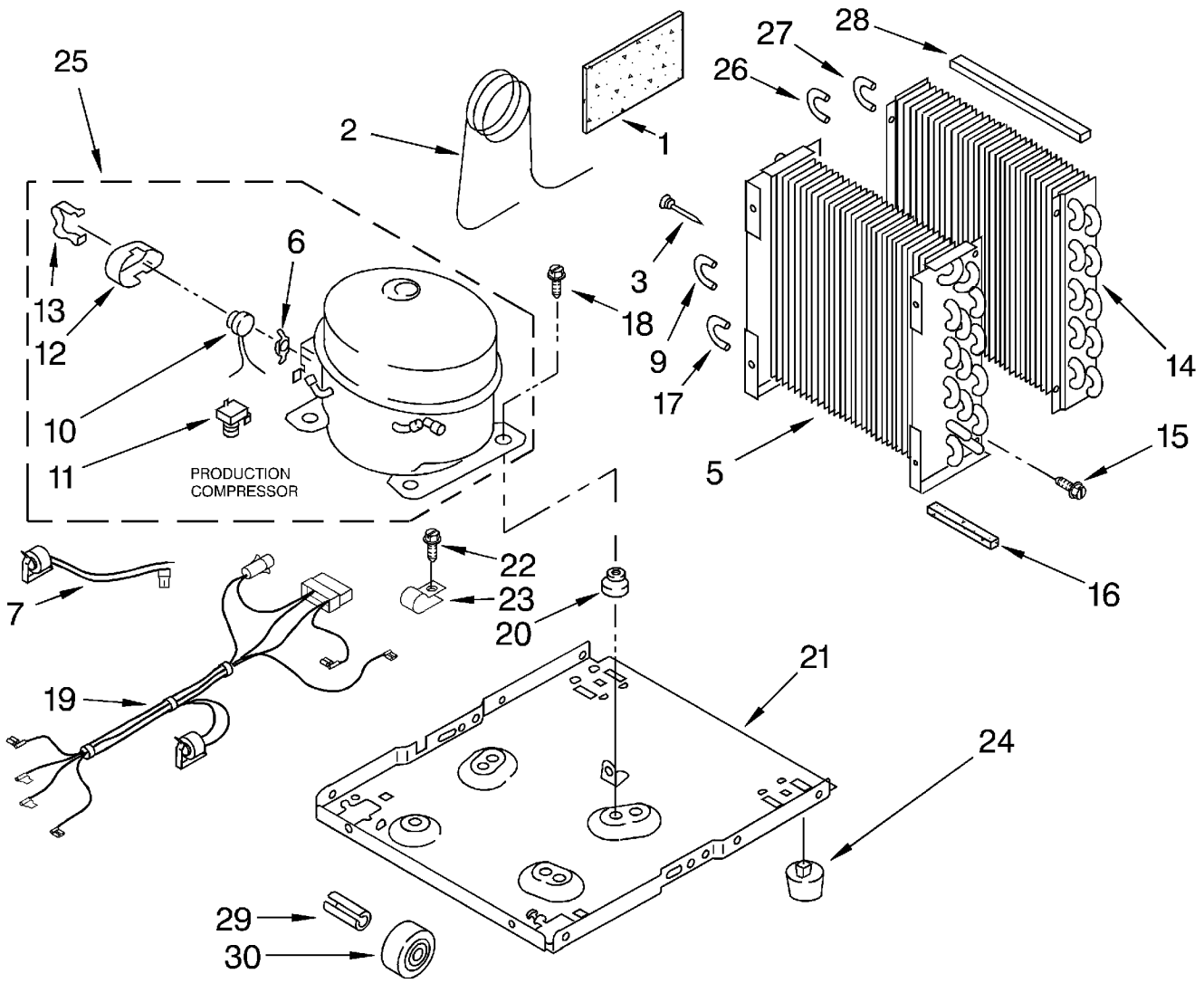


FOR CUSTOMER SATISFACTION ALWAYS USE
FACTORY SPECIFICATION PARTS



UNIT PARTS

For Model: D25B0



1	1162650	Insulation (Restrictor Tube)
2	1168191	Tube, Restrictor (36.0" Length)
3	1162526	Strainer, Tube
5	1167544	Condenser
6	950061	Spring, Overload
7	1166013	Deicer
9	708531	Bend, Return (10)
10	1164775	Overload, Protector
11	950058	Relay, Start
12	950055	Cover, Terminal
13	950056	Retainer, Cover
14	1168184	Evaporator
15	488480	Screw, 8 x 1/2
16	1162372	Seal
17	708532	Bend, Return (4)
18	1166034	Bolt, 1/4-28 x 1" (4)
19	1165265	Harness, Wire
20	1100826	Grommet (4)
21	1157584	Base
22	486194	Screw #8 x 1/2
23	1180752	Relief, Strain
24	951886	Glide (2)
25	1164773	Compressor (Complete Assembly)
26	855199	Bend Return (8)
27	854624	Bend, Return (1)
28	1162348	Seal, Evaporator Top
29	489015	Roll Pin (2)
30	998726	Roller (2)

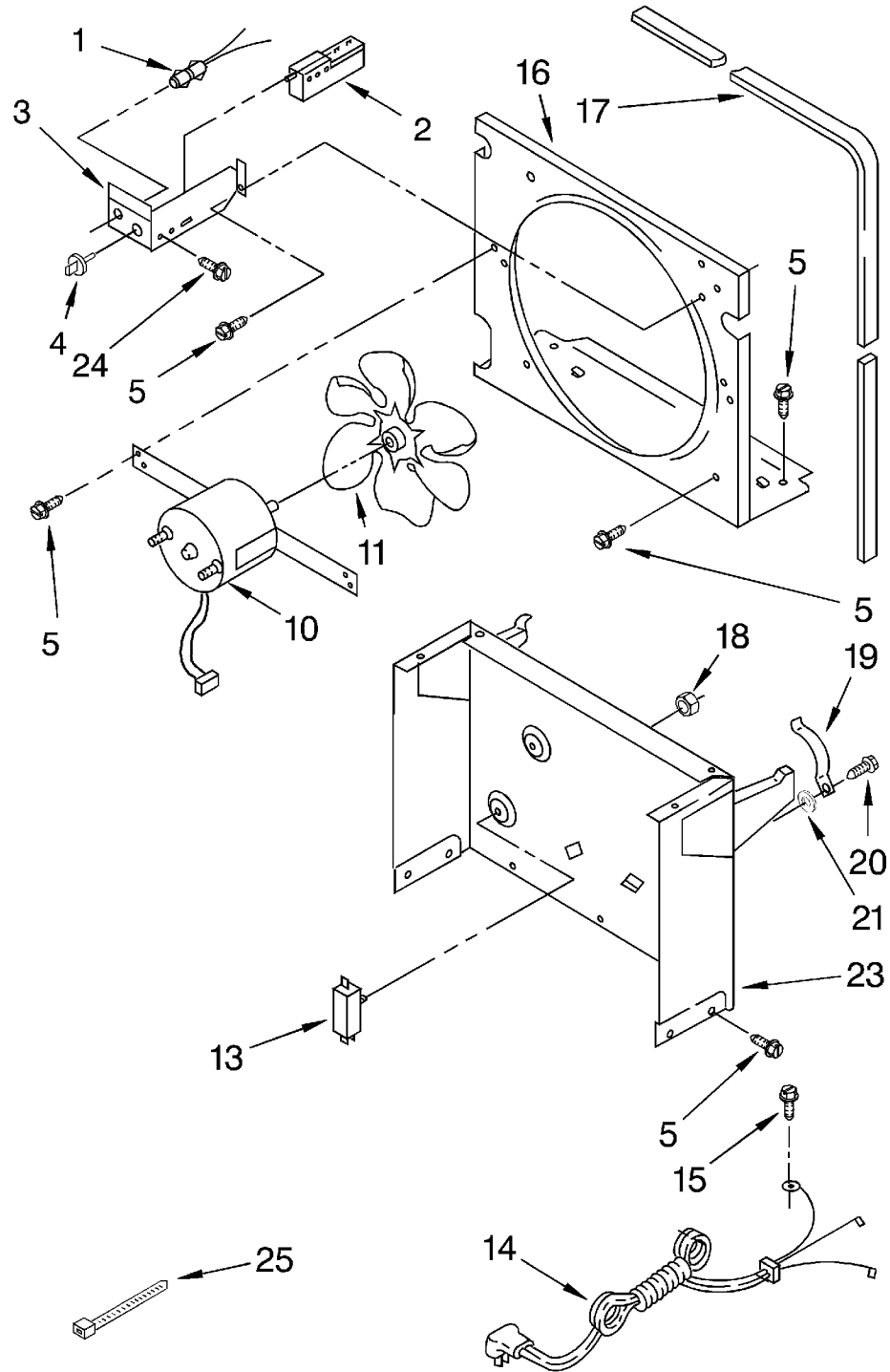
LITERATURE PARTS

LIT1166032	Tech Sheet
LIT1166033	Wiring Diagram
LIT1169993	Use and Care Guide
LIT1168294	Repair Parts List

REFRIGERANT CHARGE 7.75 OZ.

AIR FLOW AND CONTROL PARTS

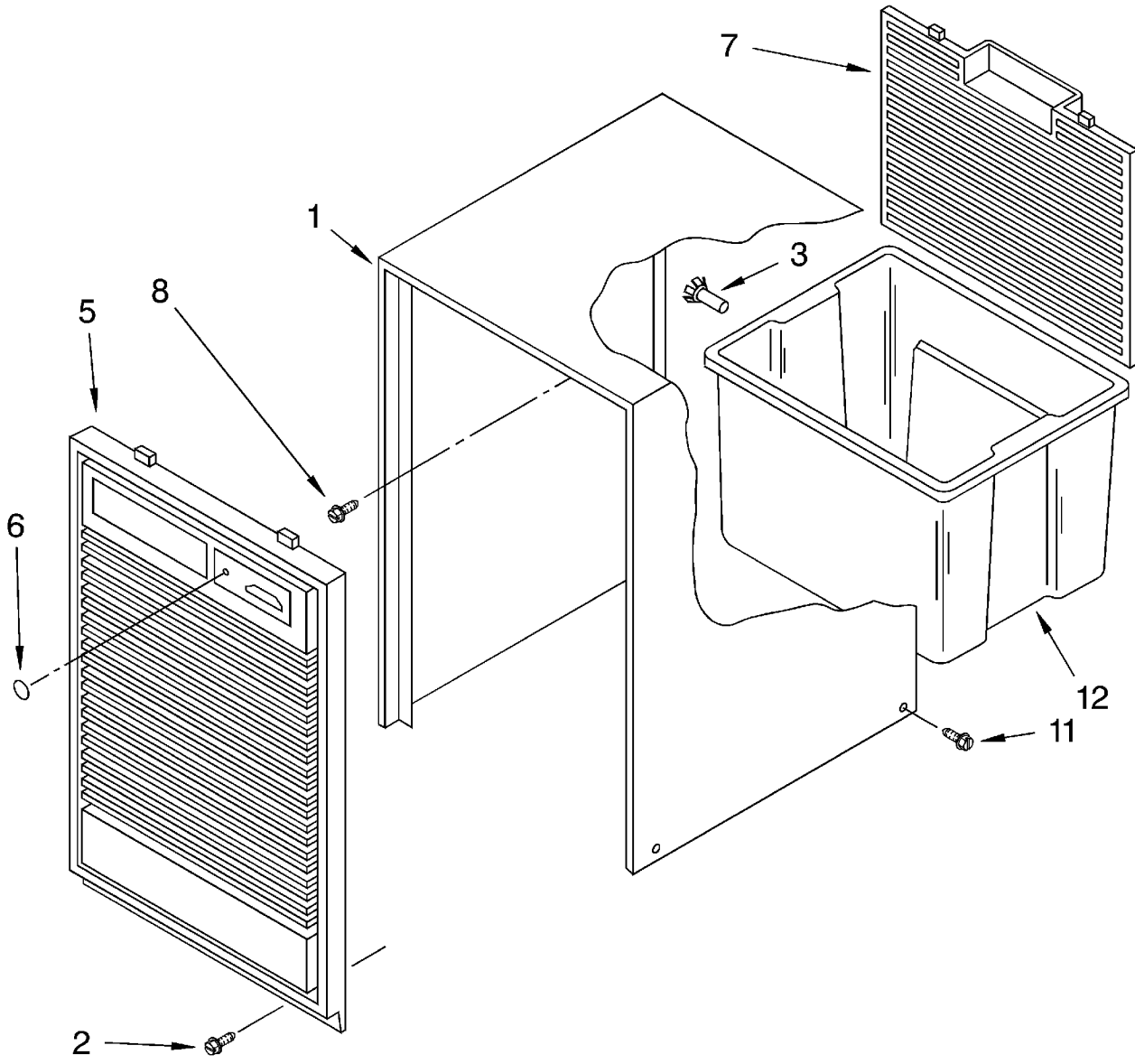
For Model: D25B0



1	1164804	Light, Indicator
2	1166055	Humidistat, Control
3	1167040	Bracket, Control
4	1166806	Knob, Control
5	488480	Screw, S.M. #8 x 1/2 A
10	1164813	Motor, Fan
11	949645	Blade, Fan
13	999747	Switch, Water Level Control
14	1164784	Cord, Appliance
15	487871	Screw, 8-32 x 3/8
16	1166838	Plate, Orifice
17	1162704	Seal
18	489001	Palnut, 3/8-32
19	1161718	Spring, Water Level
20	486194	Screw #8 x 1/2
21		Washer, Repair
	489083	.030 Thickness
	1168324	.062 Thickness
23	1163800	Support
24	1159222	Screw
25	602851	Tie, Cable (3)

CABINET PARTS

For Model: D25B0



1	1166059	Cabinet
2	1166815	Screw, 8-32 x 1/2 (2)
3	998813	Retainer, Pin (2) (Rear Grille)
5	1168288	Grille, Front Assembly
6	998846	Lens, Light
7	1166805	Grille, Rear
8	488624	Screw, #8 x 3/8
11	1166816	Screw (4)
12	1166060	Pan, Condensate

Following Parts Not Illustrated and Optional Parts Not Included

485426	Lacquer, Starlight Gray (1/2 Pt. Uncut)
646753	Cap, Condensate Pan
647338	Washer, Condensate Pan
799833	Epoxy, Tube (Aluminum Repair)
505168	Tape, No Drip (30') Valve, Access
978025	1/4" Tube O.D.
978026	5/16" Tube O.D.
978027	3/8" Tube O.D.
978028	1/2" Tube O.D.
978029	5/8" Tube O.D.
978030	3/4" Tube O.D.
978865	Seal, Ring Access Valve (20 Pack)
212643	Sealer, Permagum (4-12" Strips)