

# PARTS LIST

for



## DEHUMIDIFIER

### MODEL

### D30B0

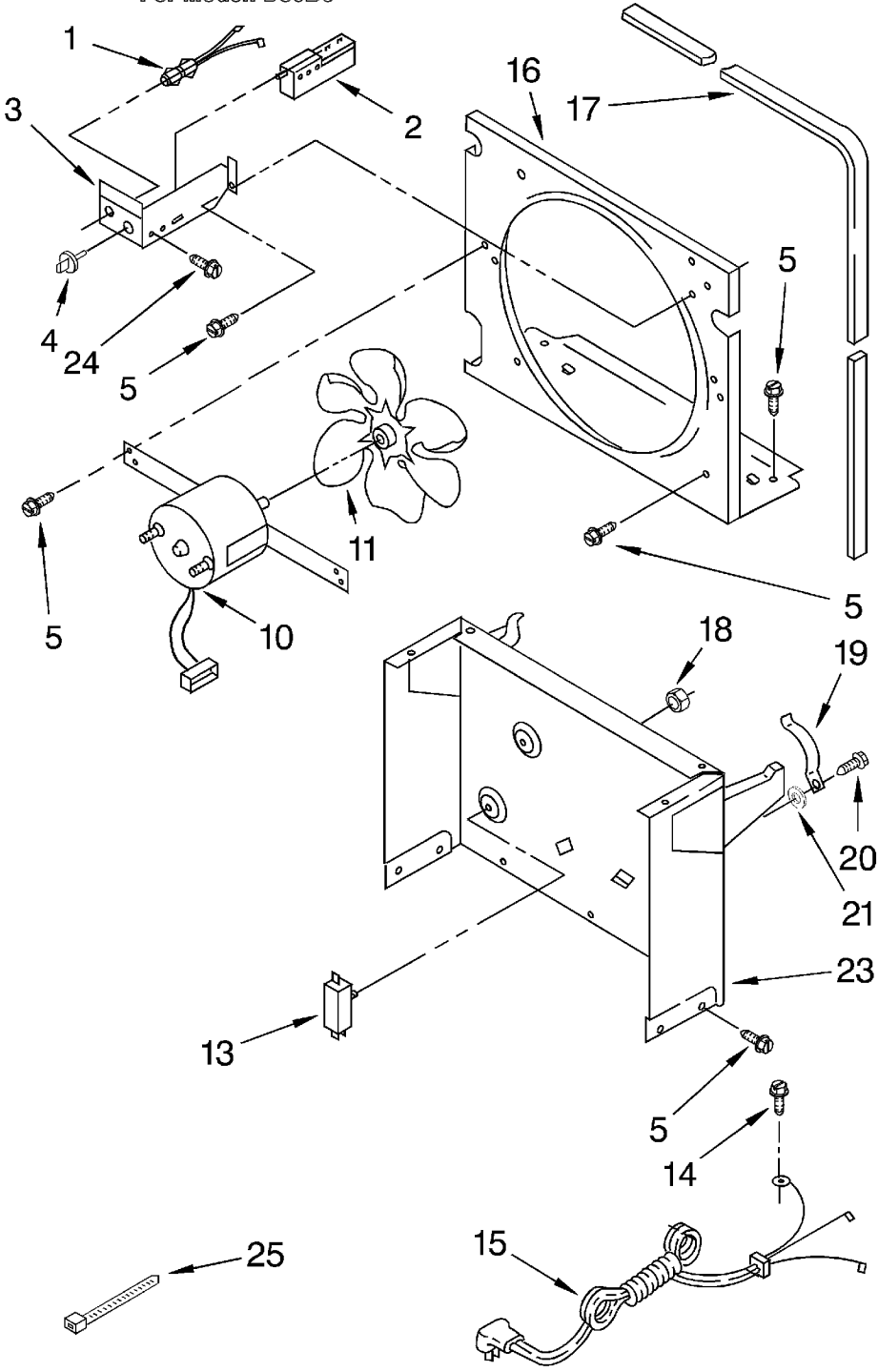


FOR CUSTOMER SATISFACTION ALWAYS USE  
FACTORY SPECIFICATION PARTS



# AIR FLOW AND CONTROL PARTS

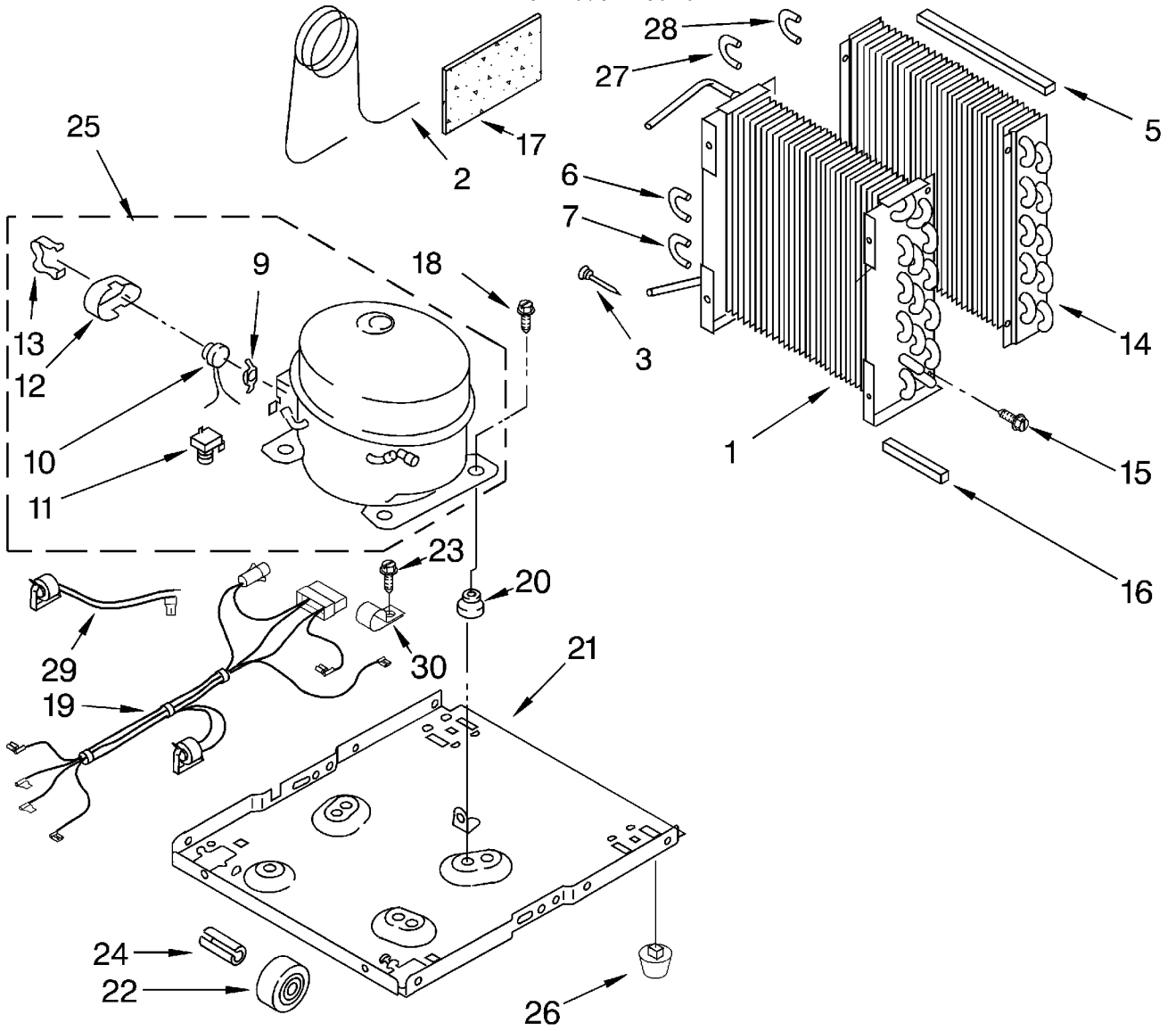
For Model: D30B0



1	1164804	Light, Indicator
2	1166055	Humidistat, Control
3	1167040	Bracket, Control
4	1166806	Knob, Humidistat Control
5	488480	Screw, Sm #8 x 1/2
10	1164813	Motor, Fan
11	949645	Blade, Fan
13	999747	Switch, Water Level Control
14	487871	Screw, 8-32 x 3/8
15	1164784	Cord, Appliance
16	1166838	Plate, Orifice
17	1162704	Seal
18	489001	Palnut, 3/8-32
19	1161718	Spring, Water Level
20	486194	Screw #8 x 1/2
21		Washer, Repair
	489083	.045 Thickness
	1168324	.062 Thickness
23	1163800	Support
24	1159222	Screw
25	602851	Tie, Cable

# UNIT PARTS

For Model: D30B0



1	1167546	Condenser
2	1168192	Tube, Restrictor (42.0" Length)
3	1162526	Strainer
5	1162348	Seal Evaporator (Top)
6	708531	Bend, Return (10)
7	708532	Bend, Return (4)
9	950061	Spring, Overload
10	1164775	Overload, Protector
11	950058	Relay, Start
12	950055	Cover, Terminal
13	950056	Retainer, Cover
14	1168186	Evaporator
15	488480	Screw #8 x 1/2 (4)
16	1162372	Seal
17	1162650	Insulation (Restrictor Tube)
18	1166034	Bolt, 1/4-28 x 1" (4)
19	1167561	Harness, Wire
20	1100826	Grommet (4)
21	1157584	Base
22	998726	Roller (2)
23	486194	Screw #8 x 1/2
24	489015	Pin, Roller (2)
25	1164773	Compressor, (Complete Assembly)
26	951886	Glide (2)
27	855199	Bend, Return (8)
28	854624	Bend, Return (1)
29	1167574	Deicer, Bimetal
30	1180752	Relief, Strain

LITERATURE PARTS

LIT1167562	Tech Sheet
LIT1167573	Wiring Diagram
LIT1169993	Use and Care Guide
LIT1168295	Repair Parts List

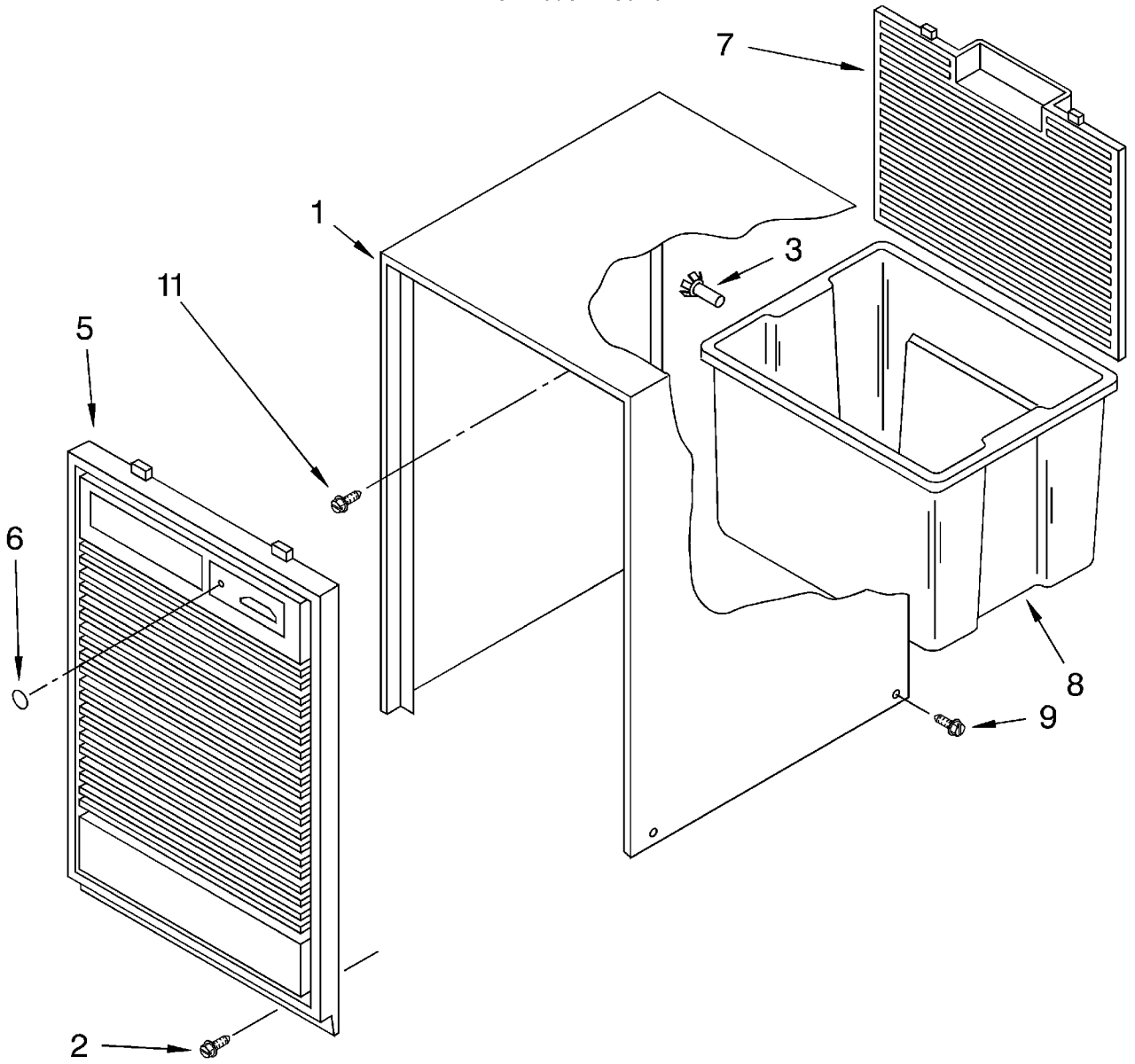
Following Parts Not Illustrated and Optional Parts Not Included

646753	Cap, Condensate Pan
647338	Washer, Cap (Condensate Pan)
485426	Lacquer, Starlight Gray (1/2 Pt. Uncut)
484310	Epoxy, Tube (Aluminum Repair)
505168	Tape, No Drip Valve, Access
978025	1/4" Tube O.D.
978026	5/16" Tube O.D.
978027	3/8" Tube O.D.
978028	1/2" Tube O.D.
978029	5/8" Tube O.D.
978030	3/4" Tube O.D.
978865	Seal, Ring Access Valve (20 Pack)

REFRIGERANT CHARGE 9.5 OZ.

# CABINET PARTS

For Model: D30B0



1	1166059	Cabinet
2	1166815	Screw, #8 x 1/2 (2)
3	998813	Retainer Pin (Rear Grille)
5	1168288	Grille, Front
6	998846	Lens, Light
7	1166805	Grille, Rear
8	1166060	Pan, Condensate
9	1166816	Screw (4)
11	488624	Screw #8 x 3/8 (2)