

PARTS LIST

for



DEHUMIDIFIER

MODEL D40A0

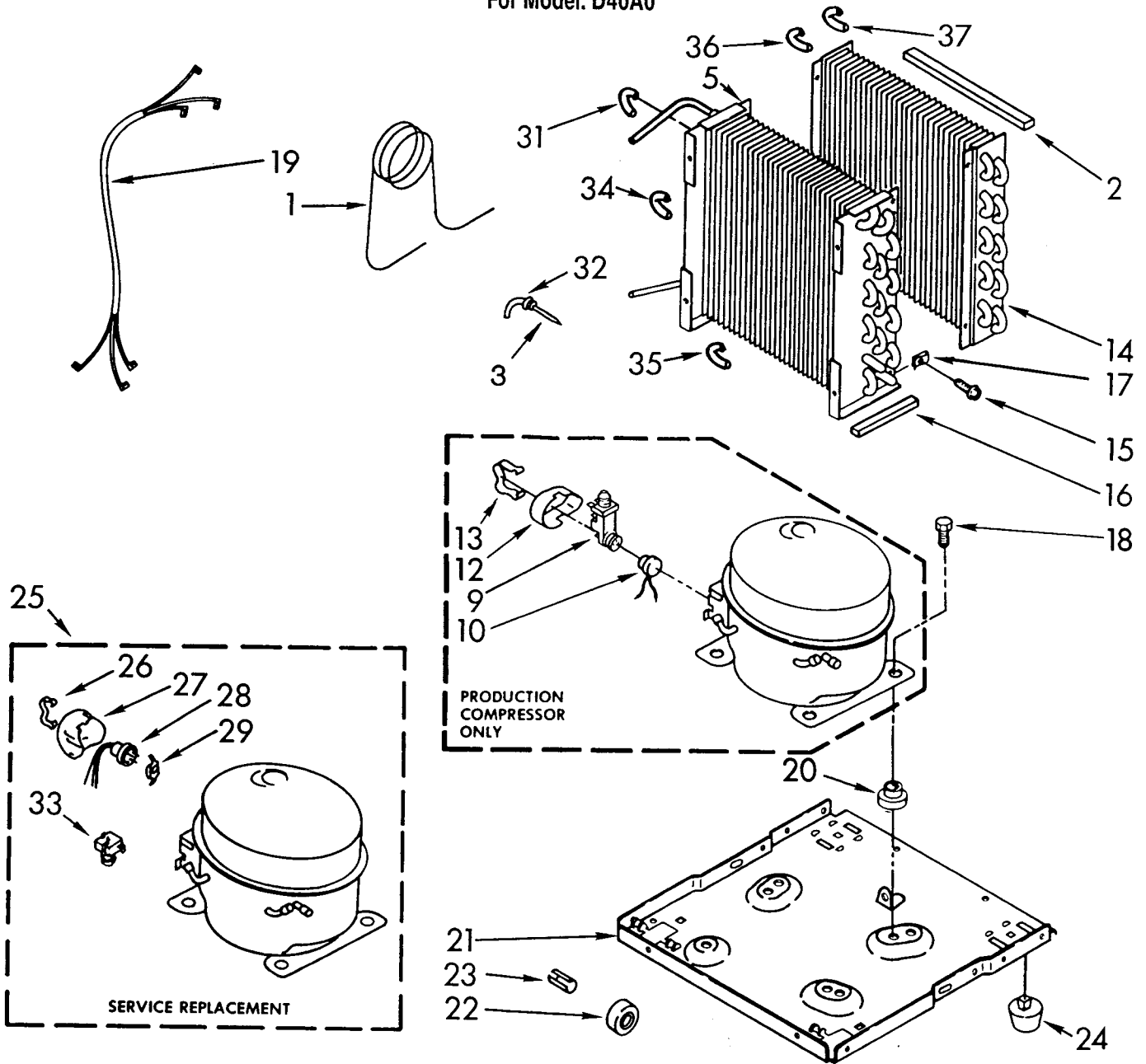


FOR CUSTOMER SATISFACTION ALWAYS USE
FACTORY SPECIFICATION PARTS



UNIT PARTS

For Model: D40A0



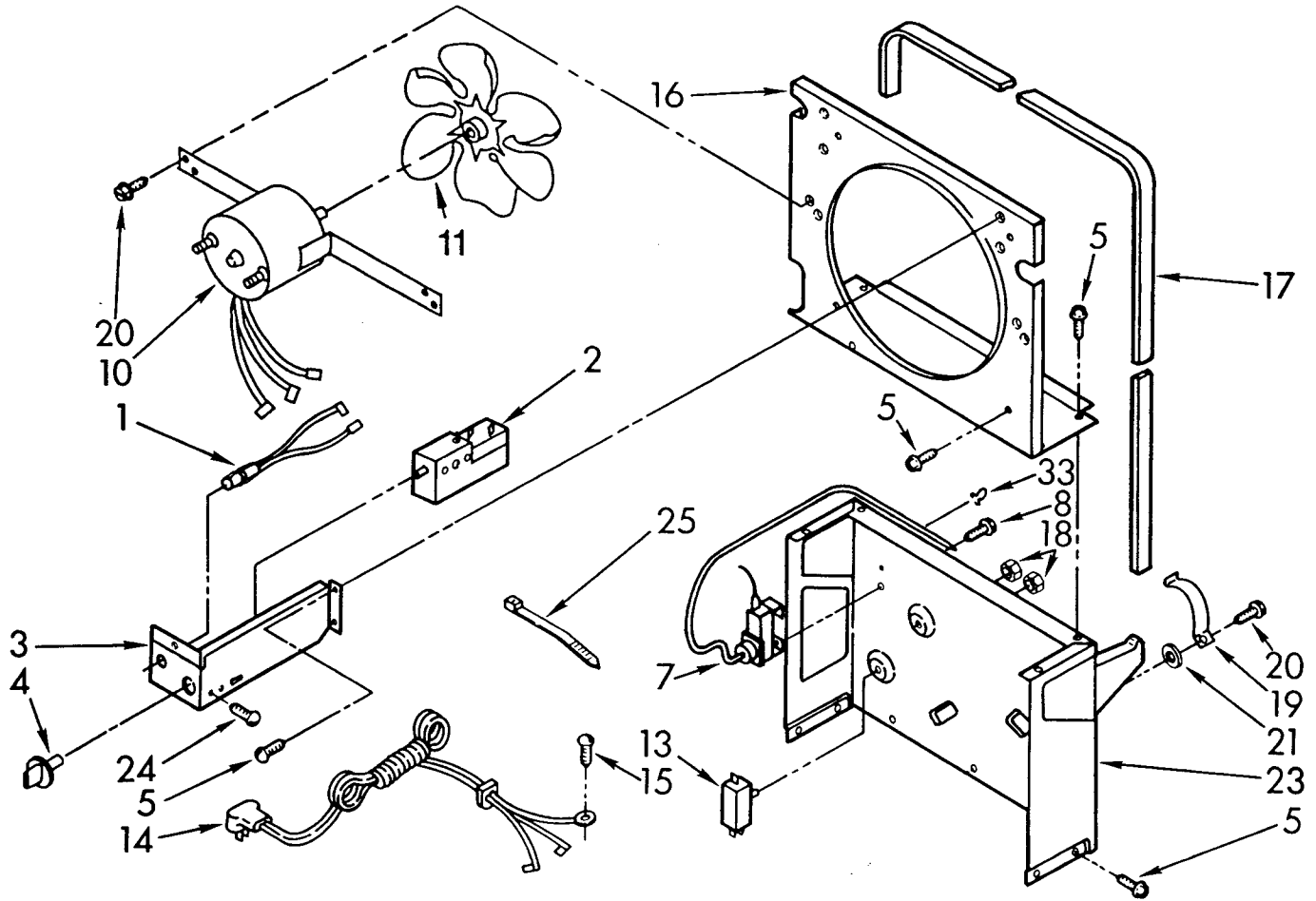
UNIT PARTS

For Model: D40A0

| ILL NO. | PART NO. | DESCRIPTION |
|------------|-------------|---|
| 1 | 1162154 | Tube, Restrictor (36.0" Length) |
| 2 | 1162348 | Seal Evaporator Top |
| 3 | 1162526 | Strainer |
| 5 | 1162646 | Condenser |
| 9 | 1156815 | Relay, Start |
| 10 | 1158823 | Overload, Protector |
| 12 | 1157582 | Cover, Terminal |
| 13 | 938384 | Retainer, Cover |
| 14 | 1161199 | Evaporator |
| 15 | 488624 | Screw, 8 x 3/8 (4) |
| 16 | 1162372 | Seal |
| 17 | 486197 | Nut, #8 (4) |
| 18 | 488400 | Screw, 1/4-28 x 1" (3) |
| 19 | 484136 | Harness, Wire |
| 20 | 1156748 | Grommet (4) |
| 21 | 1157584 | Base |
| 22 | 998726 | Roller (2) |
| 23 | 489015 | Roll Pin (2) |
| 24 | 951886 | Glide (2) |
| 25 | 876684 | Compressor, Service (Complete Assembly) |
| 26 | 831282 | Retainer, Cover |
| 27 | 865068 | Cover, Terminal |
| 28 | 876686 | Overload |
| 29 | 549086 | Spring, Overload |
| 31 | 1158407 | Bend, Return |
| 32 | 708531 | Bend, Return |
| 33 | 876689 | RELAY, START |
| 34 | 708532 | Bend, Return |
| 35 | 1156533 | Bend, Return |
| 36 | 855199 | Bend, Return |
| 37 | 854624 | Bend, Return |

AIR FLOW AND CONTROL PARTS

For Model: D40A0

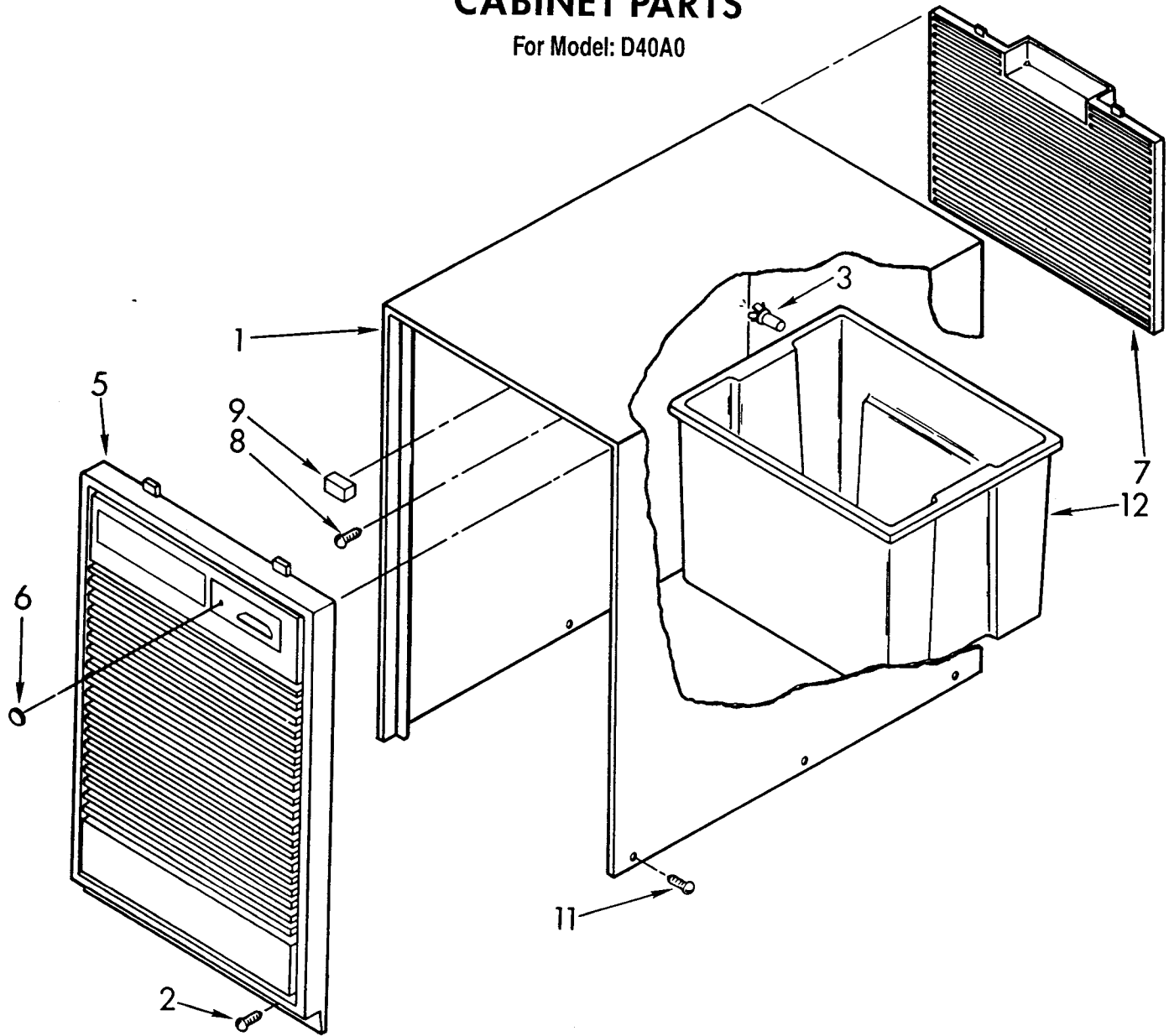


AIRFLOW AND CONTROL PARTS
For Model: D40A0

| ILL NO. | PART NO. | DESCRIPTION |
|----------------|-----------------|-----------------------------------|
| 1 | 1158419 | Light, Indicator |
| 2 | 1162578 | Humidistat, Control |
| 3 | 951284 | Bracket, Control |
| 4 | 1162670 | Knob, Control |
| 5 | 488624 | Screw, S.M. #8 x 3/8 |
| 7 | 1155109 | Thermostat, De-icer |
| 8 | 488234 | Screw, 8-32 x 1/4 (2) |
| 10 | 1162030 | Motor, Fan |
| 11 | 949645 | Blade, Fan |
| 13 | 999747 | Switch, Water Level Control |
| 14 | 1155670 | Cord, Appliance |
| 15 | 487871 | Screw, 8-32 x 3/8 |
| 16 | 998779 | Plate, Orifice |
| 17 | 1162704 | Seal |
| 18 | 489001 | Palnut, 3/8-32 |
| 19 | 1161718 | Spring, Water Level |
| 20 | 488248 | Screw, 8 x 3/4 A |
| 21 | | Washer, Repair |
| | 489083 | .030 Thickness |
| | 489029 | .062 Thickness |
| | 489091 | .091 Thickness |
| 23 | 998744 | Support |
| 24 | 1162513 | Screw, 8-18x1/4 |
| 25 | 602851 | Tie, Cable (2) |
| 33 | 471363 | Clamp, Tube To Evaporator Mtg (2) |

CABINET PARTS

For Model: D40A0



CABINET PARTS

For Model: D40A0

| ILL NO. | PART NO. | DESCRIPTION |
|---------|----------|---------------------------------|
| 1 | 998821 | Cabinet |
| 2 | 489120 | Screw, 8-32 x 1/2 (2) |
| 3 | 998813 | Retainer, Pin (2) (Rear Grille) |
| 5 | 1162665 | Grille, Front |
| 6 | 998846 | Lens, Light |
| 7 | 998832 | Grille, Rear |
| 8 | 489073 | Screw, SM #8 x 3/8 |
| 9 | 948584 | Spacer, Grille |
| 11 | 1158781 | Screw |
| 12 | 951901 | Pan, Condensate |

Following Parts Not Illustrated and Optional Parts Not Included

| | |
|--------|---|
| 485426 | Lacquer, Starlight Gray (1/2 Pt. Uncut) |
| 646753 | Cap, Condensate Pan |
| 647338 | Washer, Condensate Pan |
| 799833 | Epoxy, Tube (Aluminum Repair) |
| 505168 | Tape, No Drip (30') Valve, Access |
| 978025 | 1/4" Tube O.D. |
| 978026 | 5/16" Tube O.D. |
| 978027 | 3/8" Tube O.D. |
| 978028 | 1/2" Tube O.D. |
| 978029 | 5/8" Tube O.D. |
| 978030 | 3/4" Tube O.D. |
| 978865 | Seal, Ring Access valve (20 - Pack) |
| 212643 | Permagum, Sealer (4 - 12" Strips) |

LITERATURE PARTS

| | |
|------------|--------------------|
| LIT1162714 | Sheet, Tech |
| LIT1157768 | Diagram, Wiring |
| LIT1160157 | Manual, Owners |
| LIT1162717 | List, Repair Parts |