

This Owner's Manual is provided and hosted by [Appliance Factory Parts](#).



WHIRLPOOL D50A1 Owner's Manual

[Shop genuine replacement parts for WHIRLPOOL
D50A1](#)



[Find Your WHIRLPOOL Dehumidifier Parts - Select From 309 Models](#)

----- Manual continues below -----

PARTS LIST

for



DEHUMIDIFIER

MODEL

D50A1

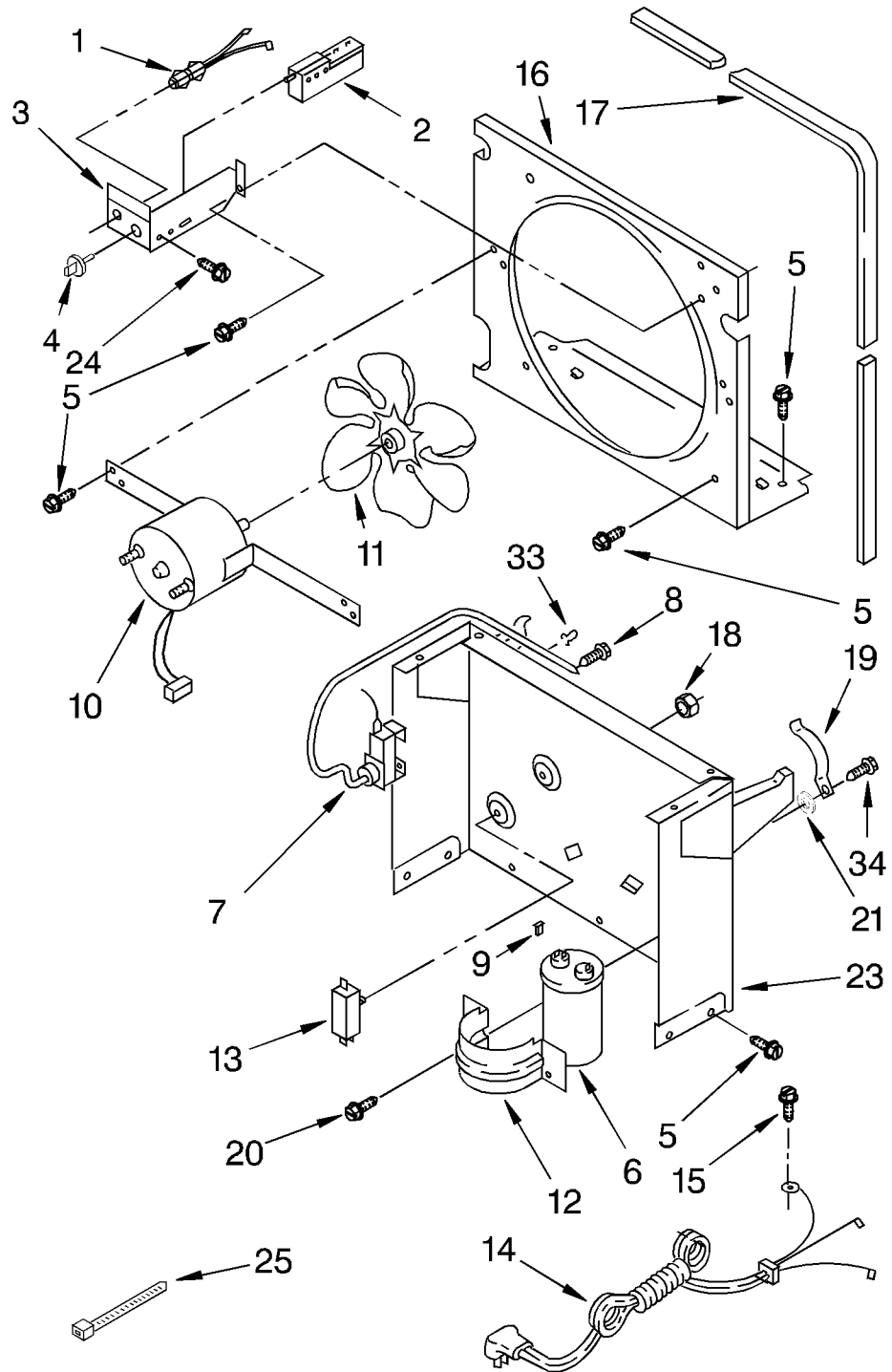


FOR CUSTOMER SATISFACTION ALWAYS USE
FACTORY SPECIFICATION PARTS



AIR FLOW AND CONTROL PARTS

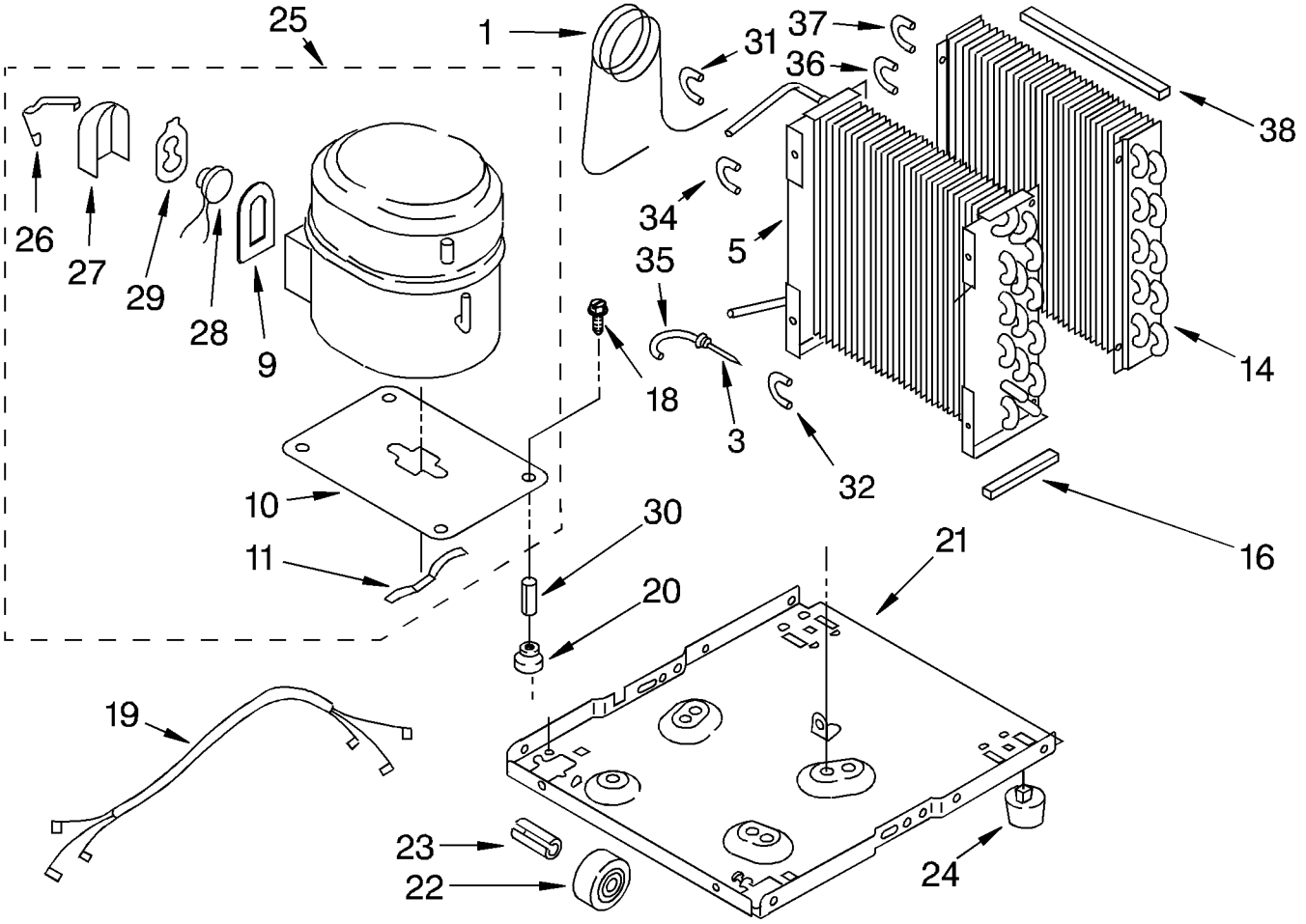
For Model: D50A1



1	1164804	Light, Indicator
2	1162578	Humidistat, Control
3	951284	Bracket, Control
4	1162670	Knob, Control
5	488480	Screw, S.M. #8 x 1/2
6	1162586	Capacitor
7	1164779	Thermostat, De-icer
8	488234	Screw, 8-32 x 1/4 (2)
9	1159258	Cap, Tab
10	1164813	Motor, Fan
11	949645	Blade, Fan
12	1163801	Bracket, Cap Mtg
13	999747	Switch, Water Level Control
14	1164784	Cord, Appliance
15	487871	Screw, 8-32 x 3/8
16	998779	Plate, Orifice
17	1162704	Seal
18	489001	Palnut, 3/8-32
19	1161718	Spring, Water Level
20	488480	Screw, 8x1/2 (2)
21		Washer, Repair
	489083	.030 Thickness
	489029	.062 Thickness
	489091	.091 Thickness
23	1163800	Support
24	1162513	Screw (2)
25	602851	Tie, Cable (2)
33	471363	Clamp, Tube To Evaporator Mtg (2)
34	488248	Screw, 8 x 3/4 A

UNIT PARTS

For Model: D50A1

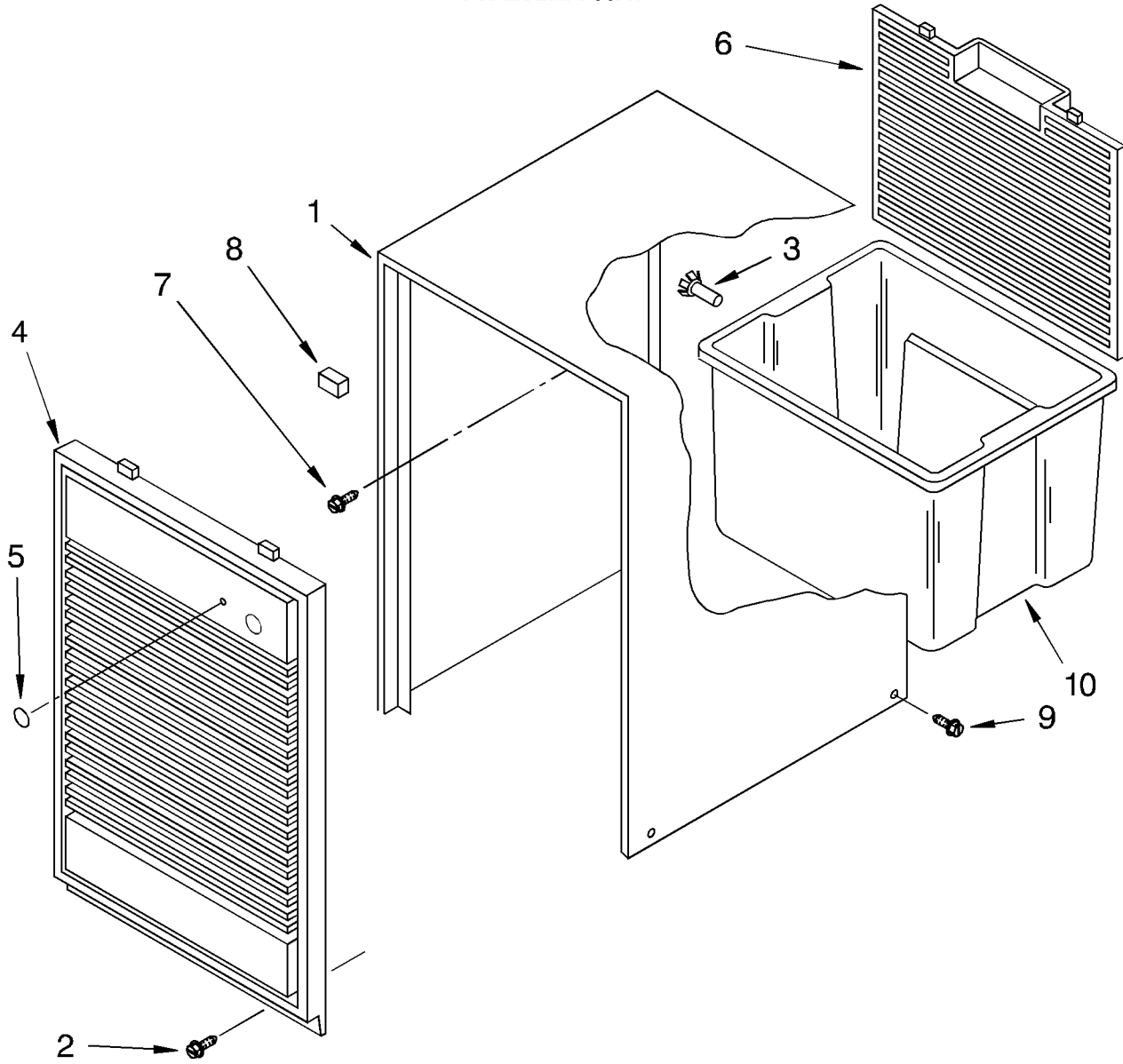


1	1162154	Tube, Restrictor (36.0" Length)
3	1162526	Strainer
5	1162646	Condenser
9	798471	Gasket, Cover (Service Only)
10	876944	Plate, Compressor Mounting (Service Only)
11	643179	Spring, Mounting (ServiceOnly)
14	1161199	Evaporator
16	1162372	Seal
18	1166034	Bolt, 1/4 - 28 x 1
19	1166052	Harness, Wire
20	646499	Grommet (4)
21	1157584	Base
22	998726	Roller (2)
23	489015	Roll Pin (2)
24	951886	Glide (2)
25	1162658	Compressor, (Complete Assembly)
26		Retainer, Cover
	950056	Production
	832008	Service
27		Cover, Terminal
	950055	Production
	798470	Service
28		Overload
	951312	Production
	798479	Service
29		Spring, Overload
	950061	Production
	798469	Service
30	646498	Sleeve (4)
31	1158407	Bend, Return (1)
32	708532	Bend, Return (4)
34	708531	Bend, Return (8)
35	1156533	Bend, Return (1)
36	855199	Bend, Return (8)
37	854624	Bend, Return (1)
38	1162348	Seal, Evap. Top

REFRIGERANT CHARGE 9.25 OZ. (Production R-500) (Service R-12)

CABINET PARTS

For Model: D50A1



1	998821	Cabinet
2	1164763	Screw, 8-32 x 1/2
3	998813	Retainer, Pin (2) (Rear Grille)
4	1162665	Grille, Front
5	998846	Lens, Light
6	998832	Grille, Rear
7	489073	Screw, SM #8 x 3/8
8	948584	Spacer, Grille
9	1158781	Screw
10	951901	Pan, Condensate

LITERATURE PARTS

LIT1166026	Tech Sheet
LIT1166025	Wiring Diagram
LIT1162709	Guide, Use and Care
LIT1166022	List, Repair Parts

Following Parts Not Illustrated and Optional Parts Not Included

485426	Lacquer, Starlight Gray (1/2 Pt. Uncut)
646753	Cap, Condensate Pan
647338	Washer, Condensate Pan
799833	Epoxy, Tube (Aluminum Repair)
505168	Tape, No Drip (30') Valve, Access
978025	1/4" Tube O.D.
978026	5/16" Tube O.D.
978027	3/8" Tube O.D.
978028	1/2" Tube O.D.
978029	5/8" Tube O.D.
978030	3/4" Tube O.D.
978865	Seal, Ring Access valve (20 - Pack)
212643	Permagum, Sealer (4 - 12" Strips)