

PARTS LIST

for



DEHUMIDIFIER

MODEL
D50B0

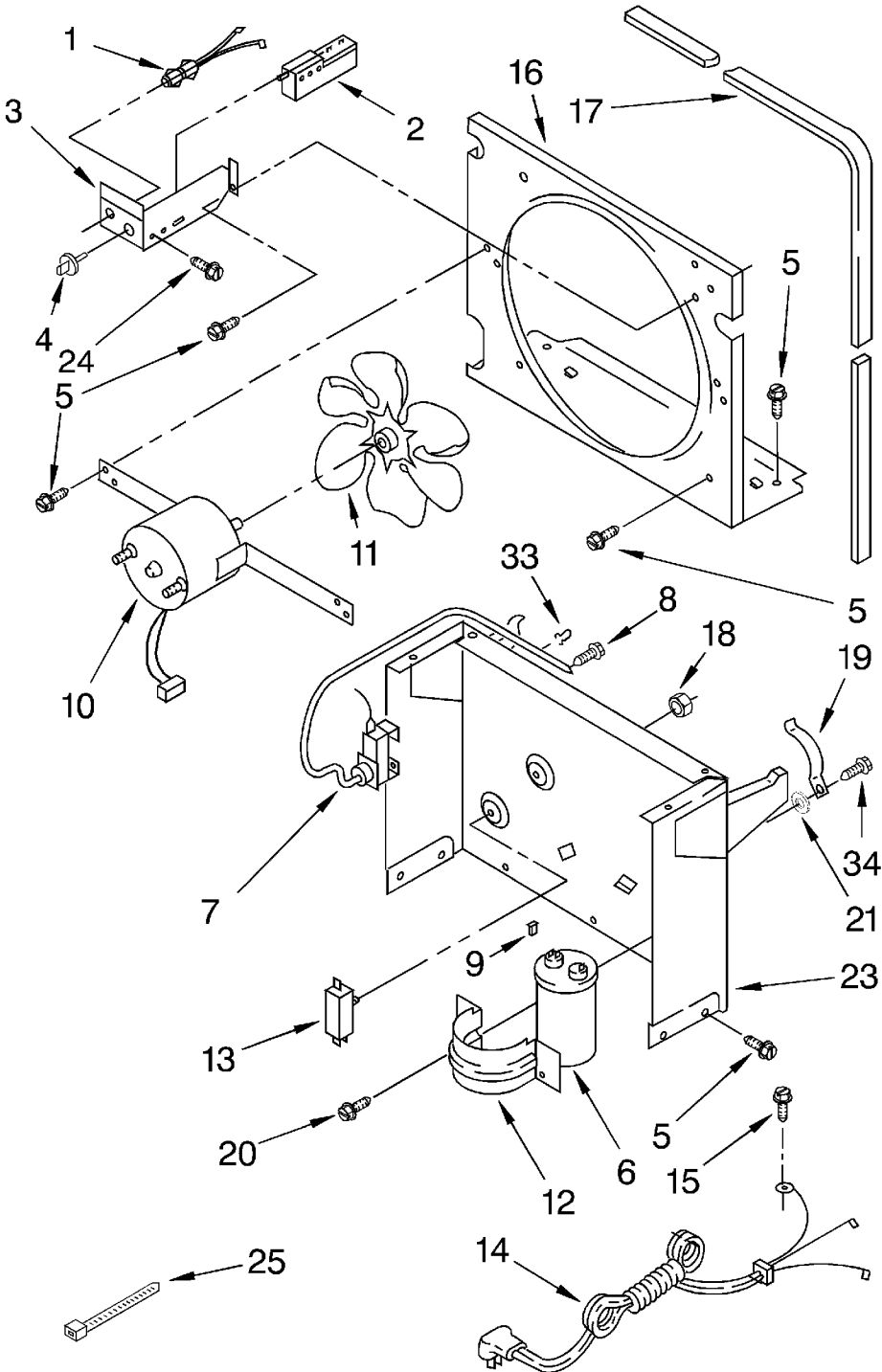


FOR CUSTOMER SATISFACTION ALWAYS USE
FACTORY SPECIFICATION PARTS



AIR FLOW AND CONTROL PARTS

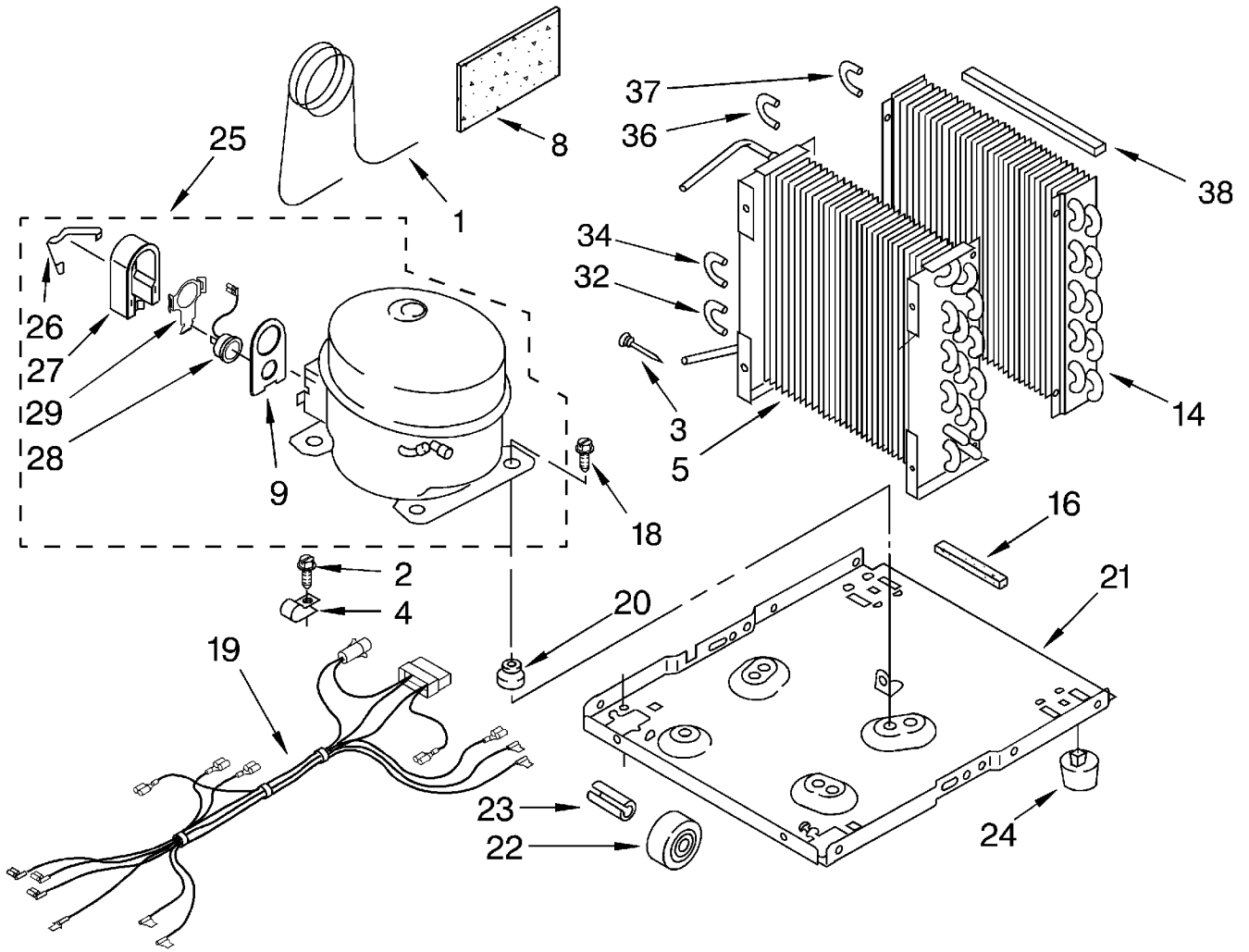
For Model: D50B0



1	1164804	Light, Indicator
2	1166055	Humidistat, Control
3	1167040	Bracket, Control
4	1166806	Knob, Control
5	488480	Screw, S.M. #8 x 1/2
6	1162586	Capacitor
7	1164779	Thermostat, De-icer
8	488234	Screw, 8-32 x 1/4 (2)
9	1159258	Cap, Tab
10	1164813	Motor, Fan
11	949645	Blade, Fan
12	1163801	Bracket, Cap Mtg
13	999747	Switch, Water Level Control
14	1164784	Cord, Appliance
15	487871	Screw, 8-32 x 3/8
16	1166838	Plate, Orifice
17	1162704	Seal
18	489001	Palnut, 3/8-32
19	1161718	Spring, Water Level
20	488480	Screw, 8x1/2 (2)
21		Washer, Repair
	489083	.030 Thickness
	1168324	.062 Thickness
	489091	.091 Thickness
23	1163800	Support
24	1159222	Screw (2)
25	602851	Tie, Cable (2)
33	471363	Clamp, Tube To Evaporator Mtg (2)
34	486194	Screw #8 x 1/2

UNIT PARTS

For Model: D50B0

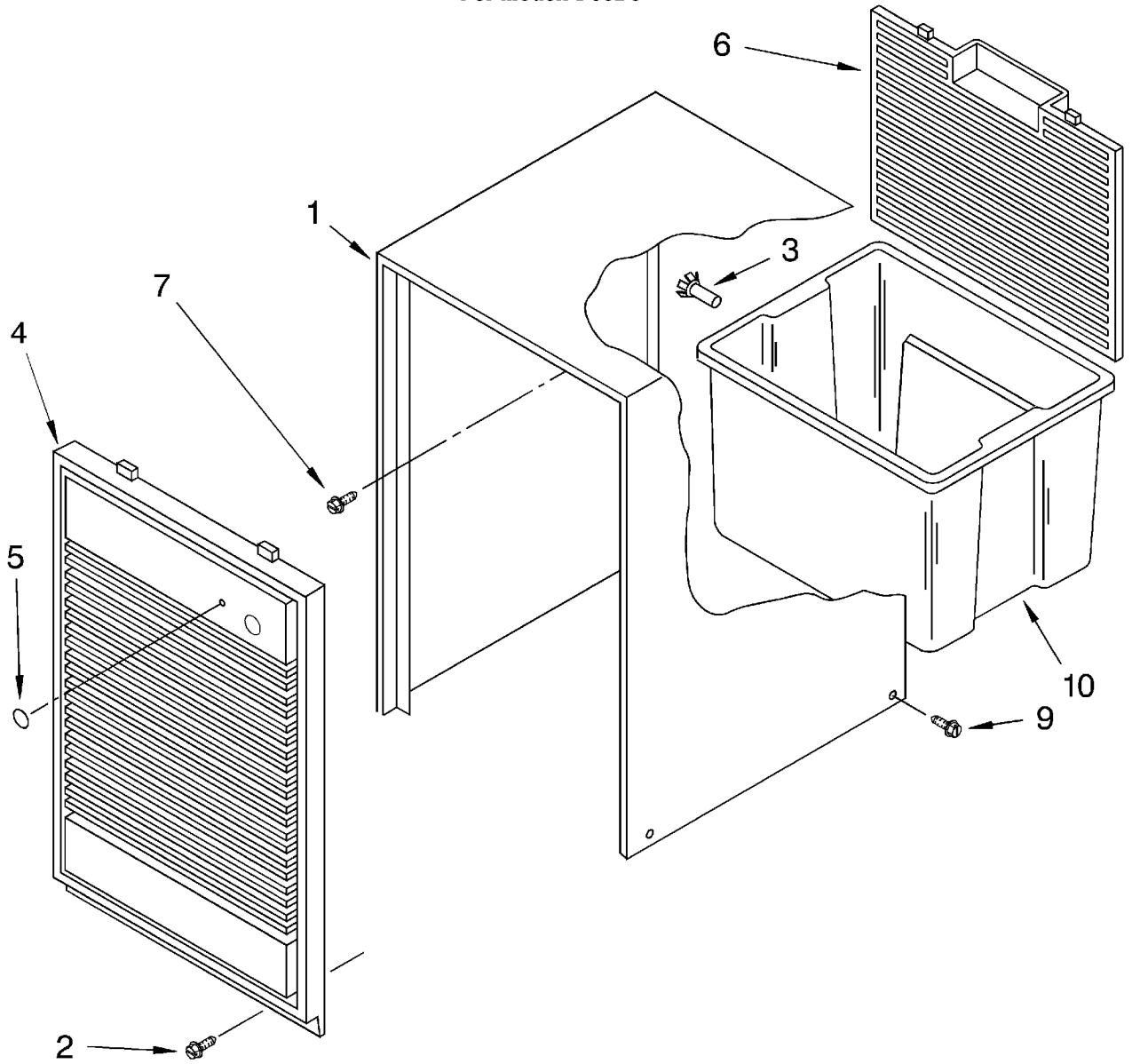


1	1168191	Tube, Restrictor (36.0" Length)
2	486194	Screw #8 x 1/2
3	1162526	Strainer
4	1180752	Relief, Strain
5	1167544	Condenser
8	1162650	Insulation (Restrictor Tube)
9	1167017	Gasket, Cover
14	1168184	Evaporator
16	1162372	Seal
18	1166034	Bolt, 1/4 - 28 x 1
19	1167026	Harness, Wire
20	1100826	Grommet (4)
21	1157584	Base
22	998726	Roller (2)
23	489015	Roll Pin (2)
24	951886	Glide (2)
25	1167003	Compressor, (Complete Assembly)
26	1167006	Retainer, Cover
27	1167005	Cover, Terminal
28	1167004	Overload
29	1167008	Spring, Overload
32	708532	Bend, Return (4)
34	708531	Bend, Return (10)
36	855199	Bend, Return (8)
37	854624	Bend, Return (1)
38	1162348	Seal, Evap. Top

REFRIGERANT CHARGE 8.50 OZ.

CABINET PARTS

For Model: D50B0



1	1166059	Cabinet
2	1166815	Screw 8-32 x 1/2
3	998813	Retainer, Pin (2) (Rear Grille)
4	1168288	Grille, Front
5	998846	Lens, Light
6	1166805	Grille, Rear
7	488624	Screw, SM #8 x 3/8
9	1166816	Screw (4)
10	1166060	Pan, Condensate

LITERATURE PARTS

LIT1166026	Tech Sheet
LIT1166025	Wiring Diagram
LIT1169993	Use and Care Guide
LIT1168297	List, Repair Parts

Following Parts Not Illustrated and Optional Parts Not Included

485426	Lacquer, Starlight Gray (1/2 Pt. Uncut)
646753	Cap, Condensate Pan
647338	Washer, Condensate Pan
799833	Epoxy, Tube (Aluminum Repair)
505168	Tape, No Drip (30') Valve, Access
978025	1/4" Tube O.D.
978026	5/16" Tube O.D.
978027	3/8" Tube O.D.
978028	1/2" Tube O.D.
978029	5/8" Tube O.D.
978030	3/4" Tube O.D.
978865	Seal, Ring Access valve (20 - Pack)
212643	Permagum, Sealer (4 - 12" Strips)