

This Owner's Manual is provided and hosted by [Appliance Factory Parts](#).



WHIRLPOOL DH25H0 Owner's Manual

[Shop genuine replacement parts for WHIRLPOOL
DH25H0](#)



[Find Your WHIRLPOOL Dehumidifier Parts - Select From 309 Models](#)

----- Manual continues below -----

PARTS LIST

for



DEHUMIDIFIER

MODEL
DH25G0

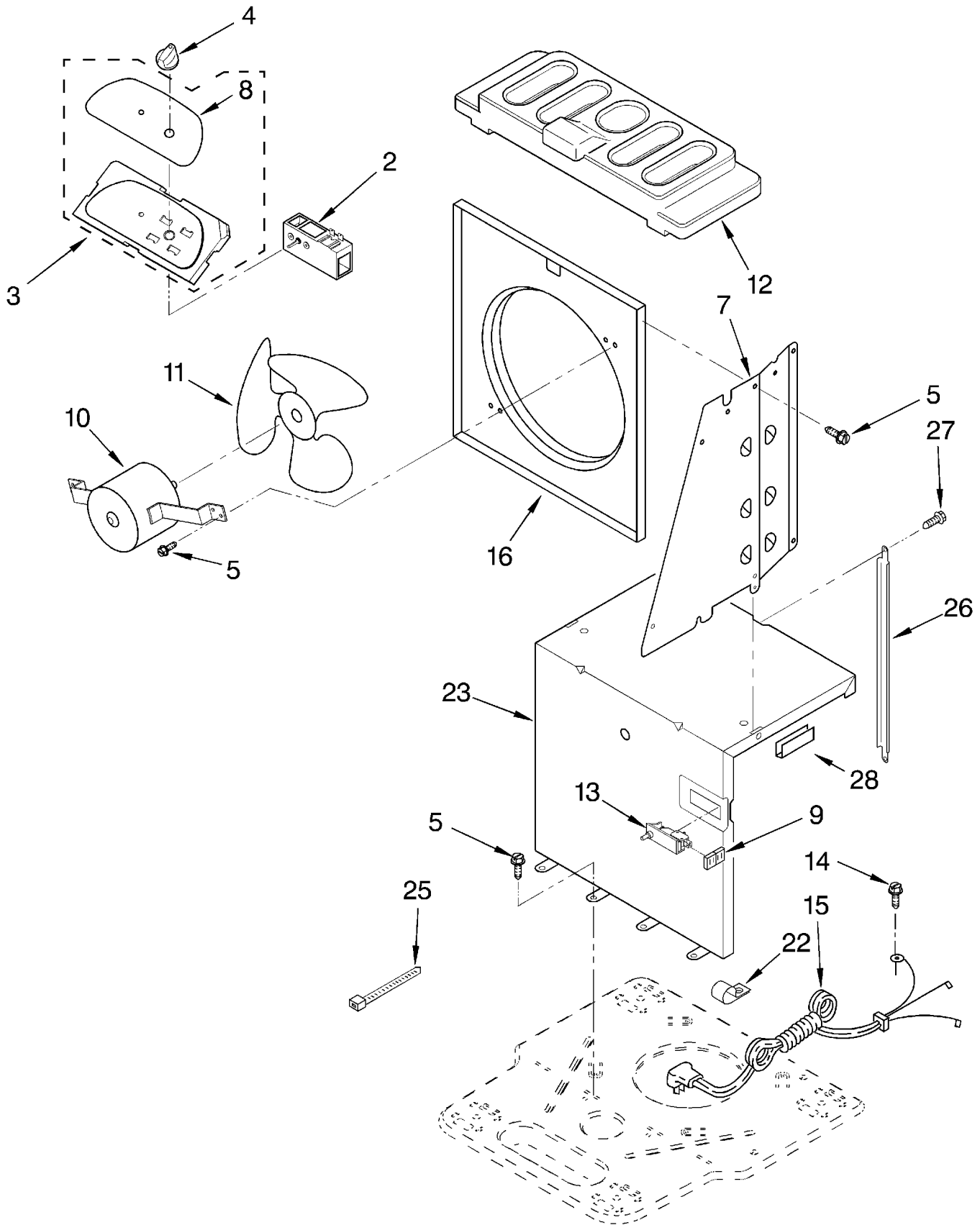


FOR CUSTOMER SATISFACTION ALWAYS USE
FACTORY SPECIFICATION PARTS



AIR FLOW AND CONTROL PARTS

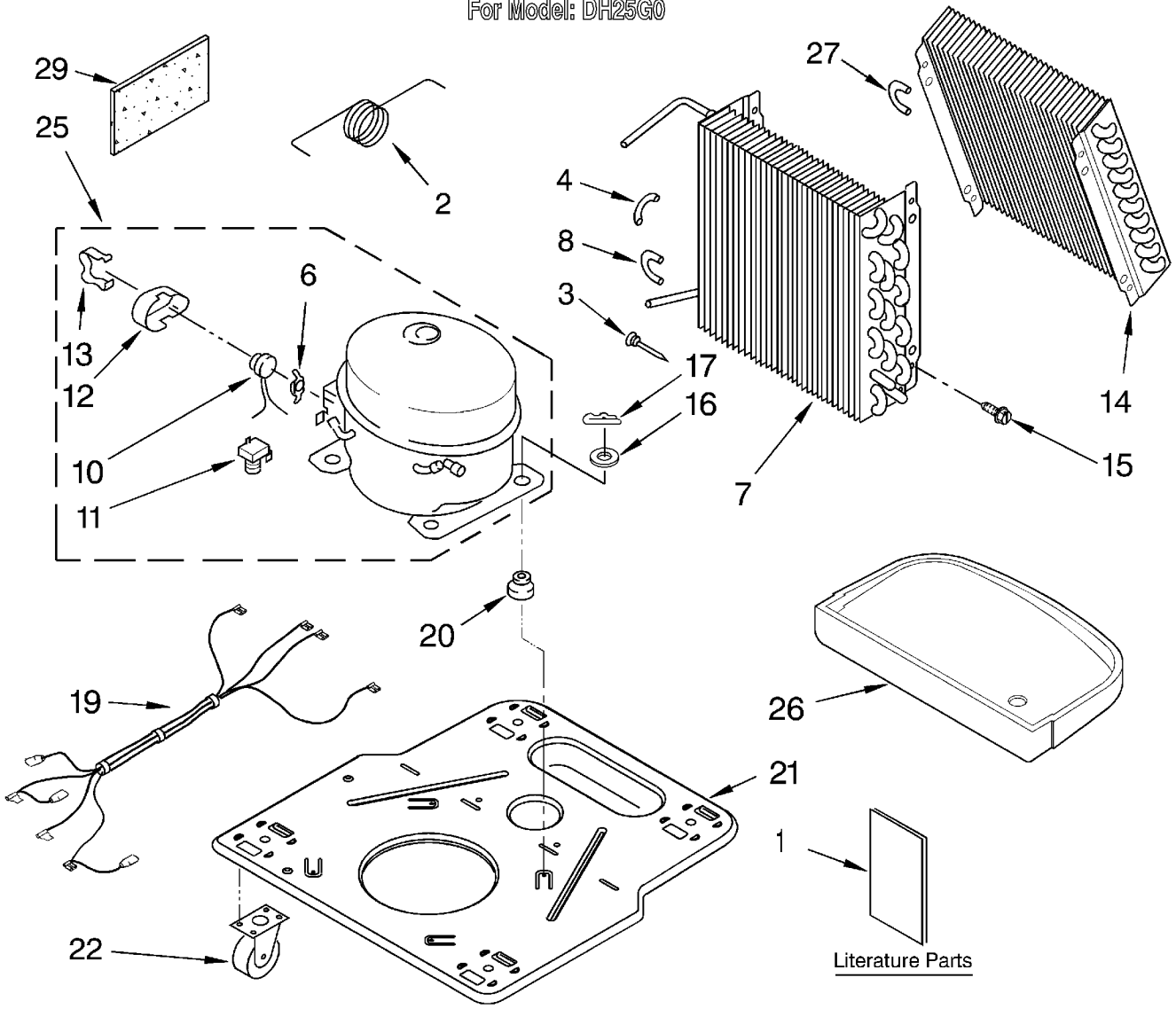
For Model: DH25G0



2	1168670	Humidistat, Control
3	1168814	Assembly, Control Panel
4	1172091	Knob
5	488480	Screw, Sm #8 x 1/2
7		Panel, Air System
	1168758	Left Side
	1168759	Right Side
8	1172083	Escutcheon
9	1168781	Barrier, Bucket Fill Switch
10	1168811	Motor, Fan
11	1168731	Blade, Fan
12	1168681	Cover, Air System
13	1168699	Switch, Bucket Fill/Check
14	487871	Screw, 8-32 x 3/8
15	1168703	Cord, Appliance
16	1168666	Plate, Orifice
22	1180504	Relief, Strain
23	1168735	Support, Air System
25	857547	Tie, Cable
26	1168752	Brace, Support
27	1157158	Screw, 8-18 X 3/8
28	1180634	Edge Guard

UNIT PARTS

For Model: DH25G0



Literature Parts

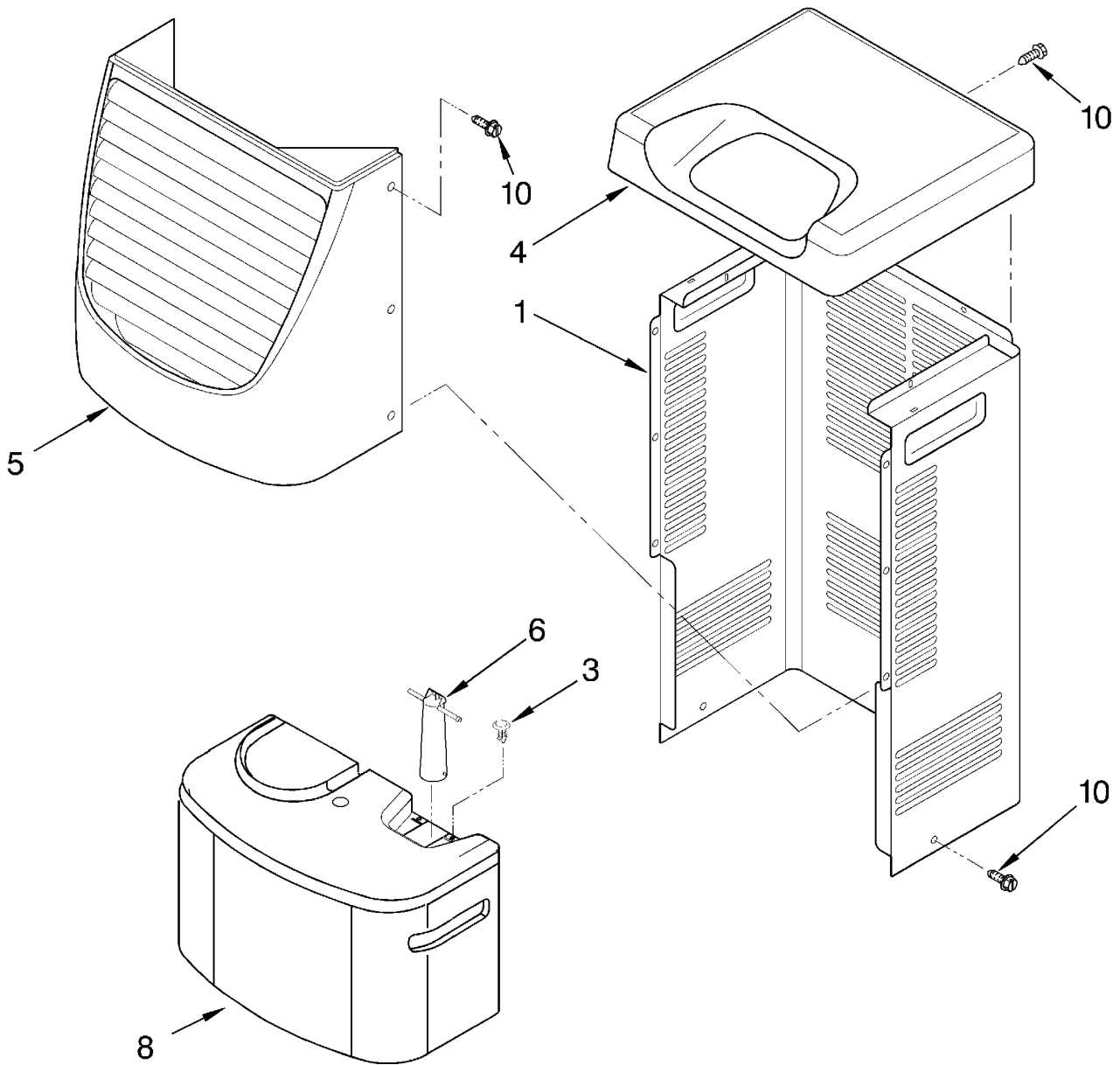
1		LITERATURE PARTS
	LIT1168823	Wiring Diagram
	LIT1168835	Use & Care Guide
	LIT1181932	Repair Parts List
2	1172076	Tube, Restrictor (Length 36.00")
3	1162526	Strainer
4	1169762	Bend, Return (2)
6	950061	Spring, Overload
7	1181854	Condenser
8	708531	Bend, Return (12)
10	1172077	Overload, Protector
11	950058	Relay, Start
12	950055	Cover, Terminal
13	950056	Retainer, Cover
14	1168726	Evaporator
15	488480	Screw, 8 x 1/2 (4)
16	680975	Washer
17	24364001	Clip, Compressor
19	1168810	Harness, Wire
20	1168722	Grommet (4)
21	1168654	Base
22	1164241	Caster (4)
25	1164773	Compressor, (Complete Assembly)
26	1168761	Pan, Drain
27	854624	Bend, Return (9)
29	1162650	Insulation (Restrictor Tube)

REFRIGERANT CHARGE 6.75 Oz.

Production Compressor Requires Production Electrical Components. Service Compressor Requires Service Electrical Components. For Further Information, Refer to Standard Brand and Related Components.

CABINET PARTS

For Model: DH25G0



1	1172092	Cabinet
3	1168762	Clip, Float
4	1172096	Cover, Top
5	1172097	Cover, Front
6	1172075	Float
8	1172094	Bucket, Condensate
10	1172095	Screw

Following Parts Not Illustrated and Optional Parts Not Included

484310	Epoxy, Tube (Aluminum Repair)
505168	Tape, No Drip Valve, Access
978025	1/4" Tube O.D.
978026	5/16" Tube O.D.
978027	3/8" Tube O.D.
978028	1/2" Tube O.D.
978029	5/8" Tube O.D.
978030	3/4" Tube O.D.
978865	Seal, Ring Access Valve (20 Pack)