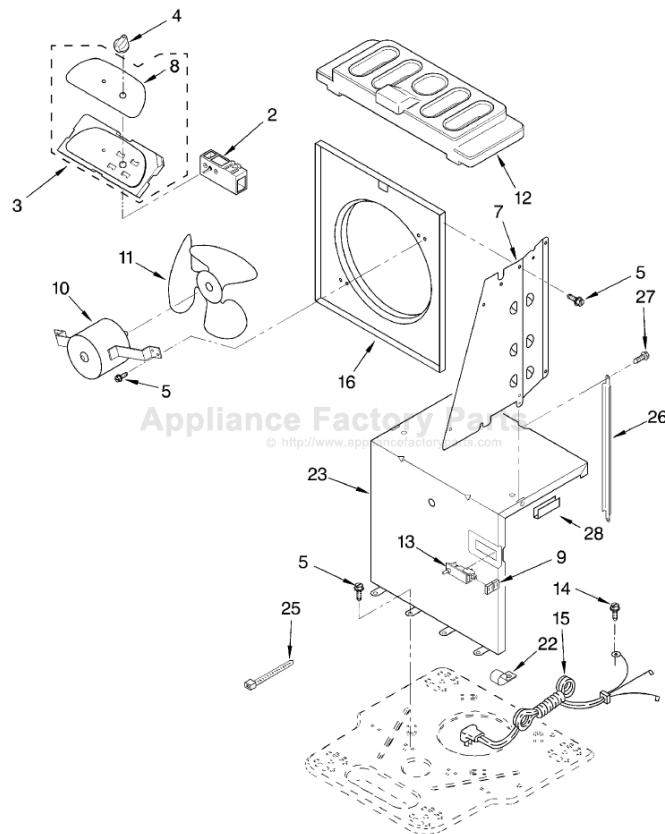


This Owner's Manual is provided and hosted by Appliance Factory Parts.



WHIRLPOOL DH40G0 Owner's Manual

[Shop genuine replacement parts for WHIRLPOOL
DH40G0](#)



[Find Your WHIRLPOOL Dehumidifier Parts - Select From 309 Models](#)

----- Manual continues below -----

PARTS LIST

for



DEHUMIDIFIER

**MODEL
DH40H0**

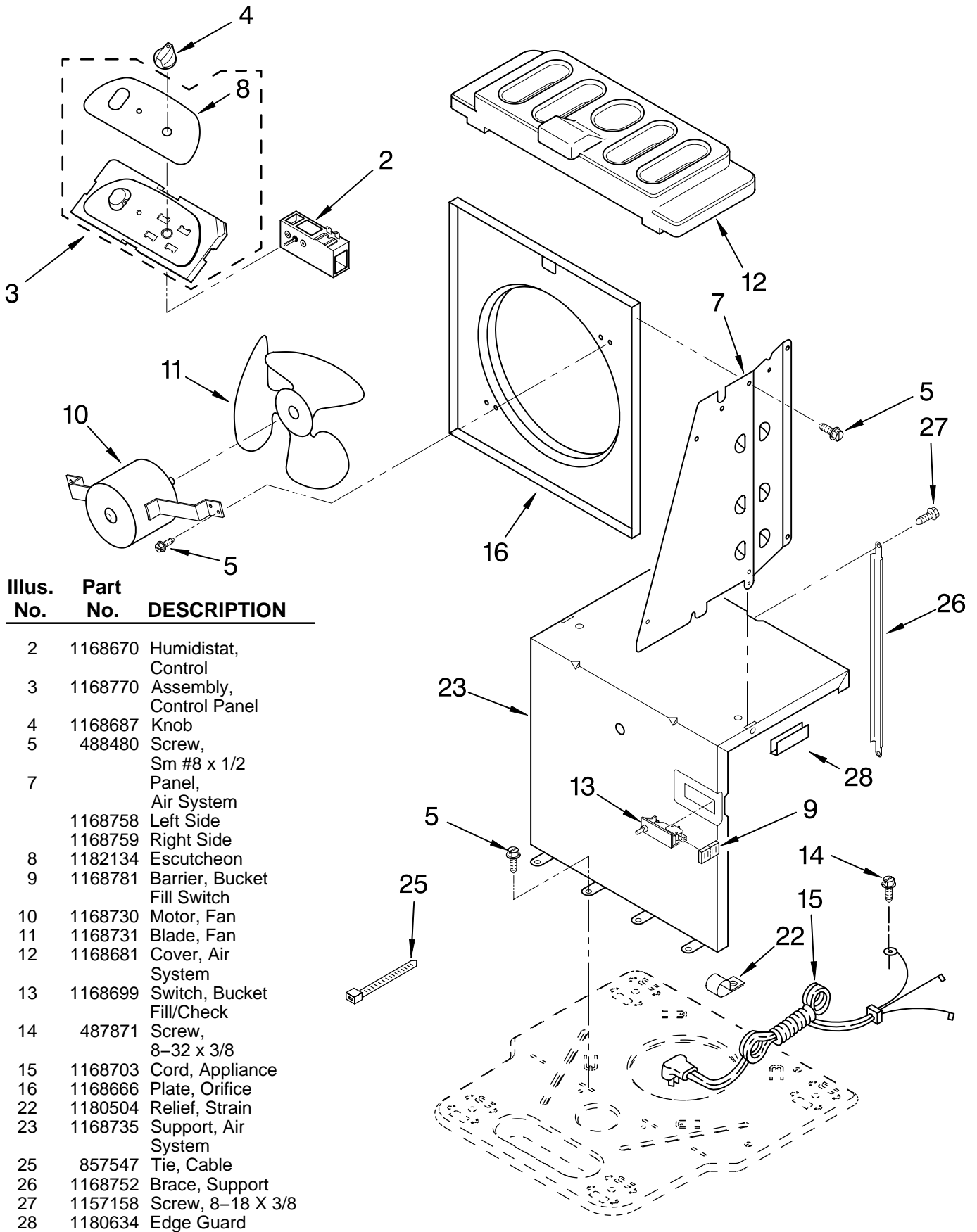


FOR CUSTOMER SATISFACTION ALWAYS USE
FACTORY SPECIFICATION PARTS



AIR FLOW AND CONTROL PARTS

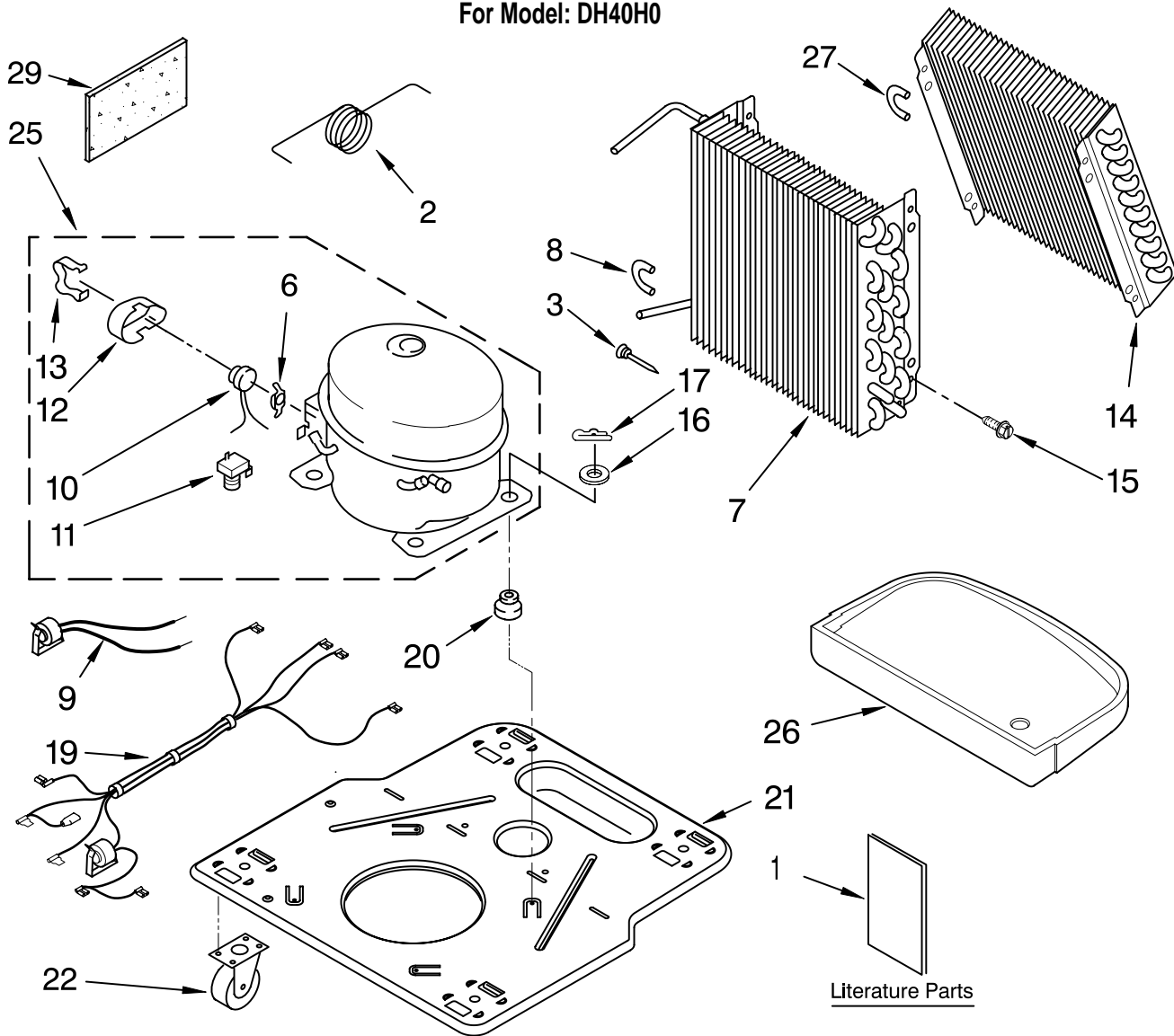
For Model: DH40H0



Illus. No.	Part No.	DESCRIPTION
2	1168670	Humidistat, Control
3	1168770	Assembly, Control Panel
4	1168687	Knob
5	488480	Screw, Sm #8 x 1/2
7		Panel, Air System
	1168758	Left Side
	1168759	Right Side
8	1182134	Escutcheon
9	1168781	Barrier, Bucket Fill Switch
10	1168730	Motor, Fan
11	1168731	Blade, Fan
12	1168681	Cover, Air System
13	1168699	Switch, Bucket Fill/Check
14	487871	Screw, 8-32 x 3/8
15	1168703	Cord, Appliance
16	1168666	Plate, Orifice
22	1180504	Relief, Strain
23	1168735	Support, Air System
25	857547	Tie, Cable
26	1168752	Brace, Support
27	1157158	Screw, 8-18 X 3/8
28	1180634	Edge Guard

UNIT PARTS

For Model: DH40H0



Literature Parts

Illus. No.	Part No.	DESCRIPTION	Illus. No.	Part No.	DESCRIPTION	Illus. No.	Part No.	DESCRIPTION
1	LIT1168765 LIT1182182	LITERATURE PARTS Wiring Diagram Use & Care Guide	10	1163837	Overload, Protector	25	1164774	Compressor, (Complete Assembly)
2	1168728	Tube, Restrictor (Length 36.00")	11	950058	Relay, Start	26	1168761	Pan, Drain
3	1162526	Strainer	12	950055	Cover, Terminal	27	854624	Bend, Return (9)
6	950061	Spring, Overload	13	950056	Retainer, Cover	29	1162650	Insulation (Restrictor Tube)
7	1168724	Condenser	14	1168726	Evaporator			
8	708532	Bend, Return (9)	15	488480	Screw, 8 x 1/2 (4)			
9	1168777	Deicer, Bimetal	16	680975	Washer			
			17	24364001	Clip, Compressor			
			19	1168701	Harness, Wire			
			20	1168722	Grommet (4)			
			21	1168654	Base			
			22	1164241	Caster (4)			

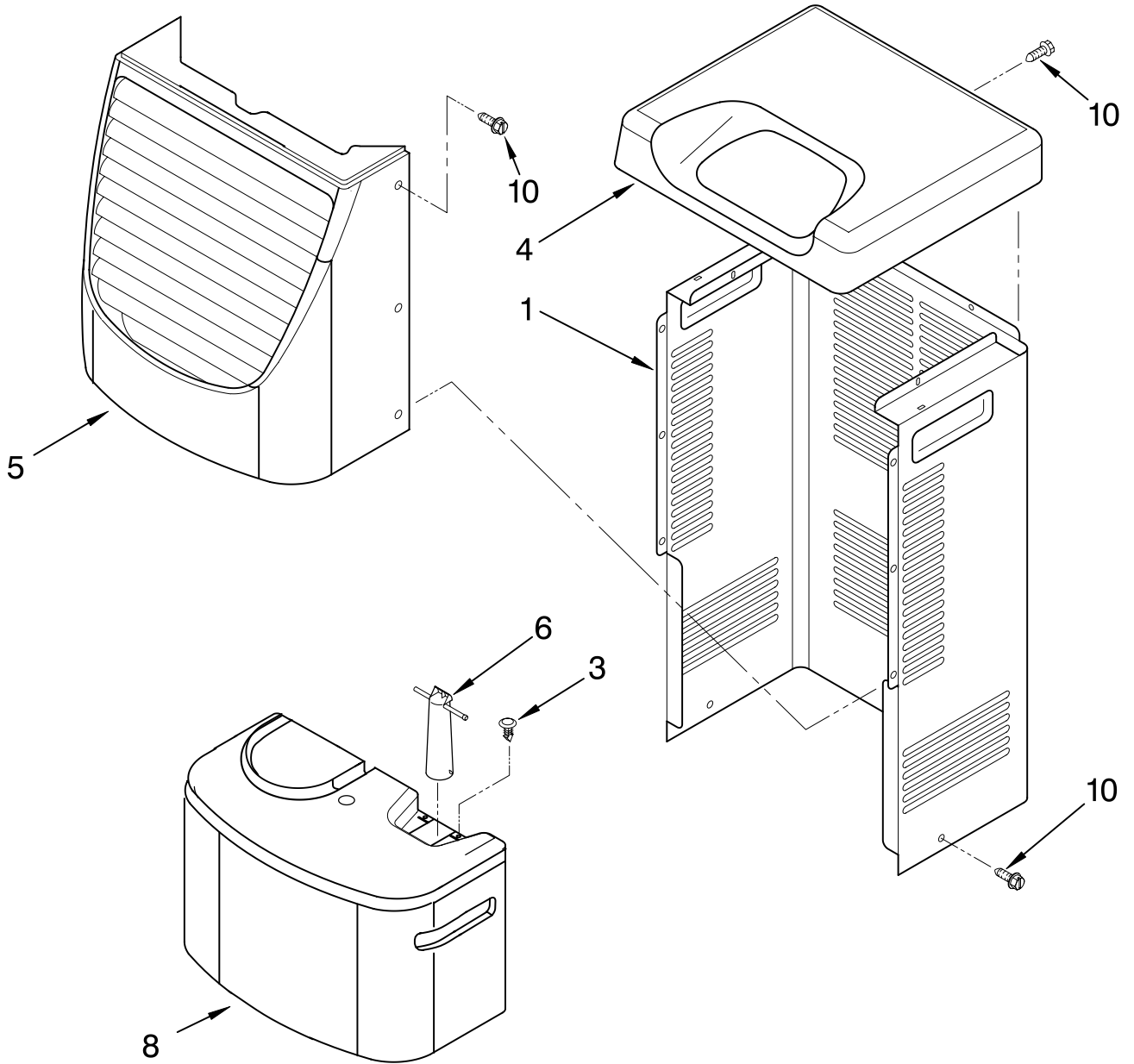
REFRIGERANT CHARGE

8.00 OZ.

**Production Compressor Requires Production Electrical Components.
Service Compressor Requires Service Electrical Components.
For Further Information, Refer to Standard Brand and Related Components.**

CABINET PARTS

For Model: DH40H0



Illus. No.	Part No.	DESCRIPTION
1	1168667	Cabinet
3	1168762	Clip, Float
4	1168652	Cover, Top
5	1182059	Cover, Front
6	1172075	Float
8	1172079	Bucket, Condensate
10	1168744	Screw

Illus. No.	Part No.	DESCRIPTION
Following Parts Not Illustrated and Optional Parts Not Included		
	484310	Epoxy, Tube (Aluminum Repair)
	505168	Tape, No Drip Valve, Access

Illus. No.	Part No.	DESCRIPTION
	978025	1/4" Tube O.D.
	978026	5/16" Tube O.D.
	978027	3/8" Tube O.D.
	978028	1/2" Tube O.D.
	978029	5/8" Tube O.D.
	978030	3/4" Tube O.D.
	978865	Seal, Ring Access Valve (20 Pack)