

This Owner's Manual is provided and hosted by [Appliance Factory Parts](#).



WHIRLPOOL DH40J1 Owner's Manual

[Shop genuine replacement parts for WHIRLPOOL
DH40J1](#)



[Find Your WHIRLPOOL Dehumidifier Parts - Select From 309 Models](#)

----- Manual continues below -----

PARTS LIST

for



DEHUMIDIFIER

**MODEL
DH40H0**

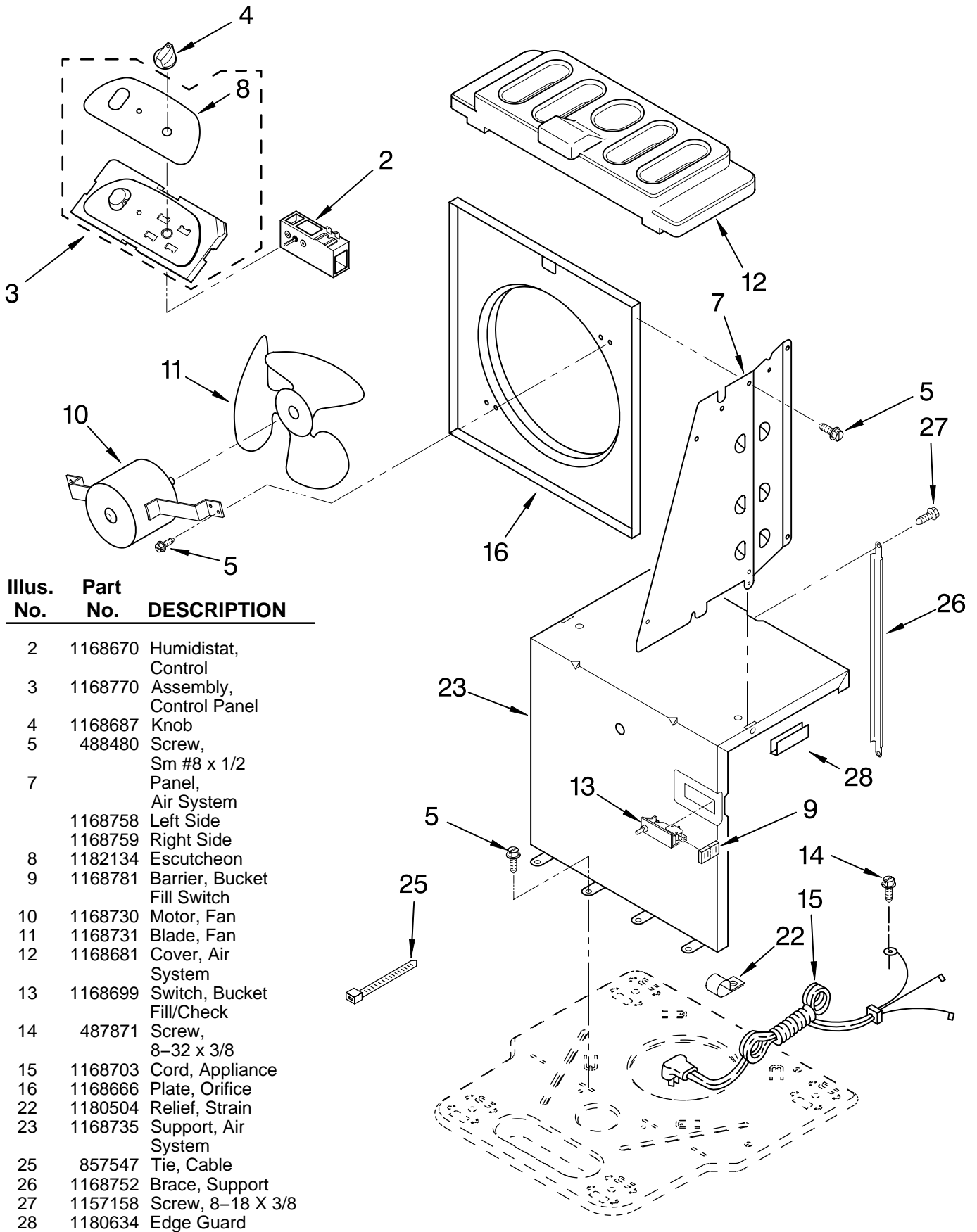


FOR CUSTOMER SATISFACTION ALWAYS USE
FACTORY SPECIFICATION PARTS



AIR FLOW AND CONTROL PARTS

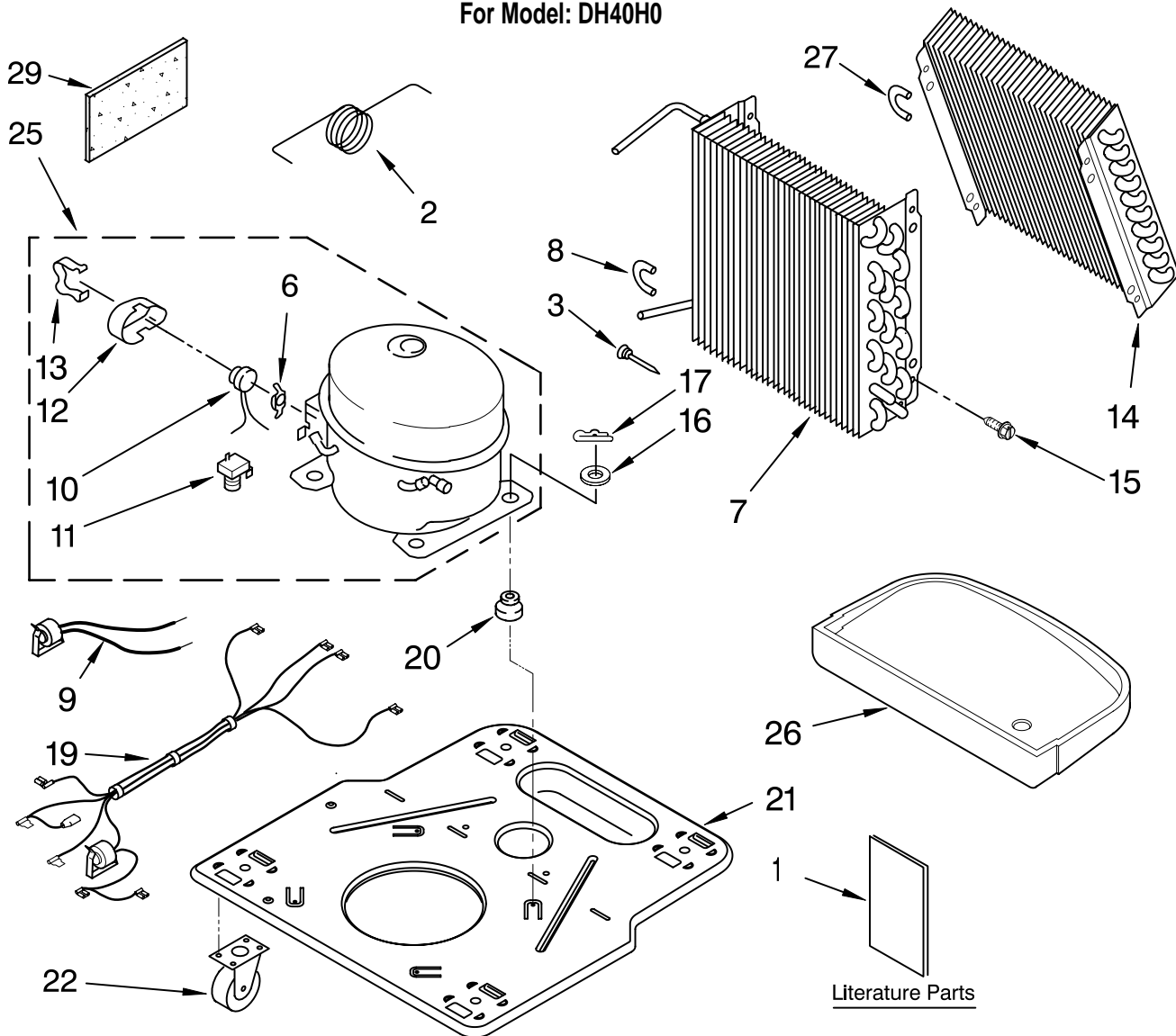
For Model: DH40H0



| Illus. No. | Part No. | DESCRIPTION |
|------------|----------|-----------------------------|
| 2 | 1168670 | Humidistat, Control |
| 3 | 1168770 | Assembly, Control Panel |
| 4 | 1168687 | Knob |
| 5 | 488480 | Screw, Sm #8 x 1/2 |
| 7 | | Panel, Air System |
| | 1168758 | Left Side |
| | 1168759 | Right Side |
| 8 | 1182134 | Escutcheon |
| 9 | 1168781 | Barrier, Bucket Fill Switch |
| 10 | 1168730 | Motor, Fan |
| 11 | 1168731 | Blade, Fan |
| 12 | 1168681 | Cover, Air System |
| 13 | 1168699 | Switch, Bucket Fill/Check |
| 14 | 487871 | Screw, 8-32 x 3/8 |
| 15 | 1168703 | Cord, Appliance |
| 16 | 1168666 | Plate, Orifice |
| 22 | 1180504 | Relief, Strain |
| 23 | 1168735 | Support, Air System |
| 25 | 857547 | Tie, Cable |
| 26 | 1168752 | Brace, Support |
| 27 | 1157158 | Screw, 8-18 X 3/8 |
| 28 | 1180634 | Edge Guard |

UNIT PARTS

For Model: DH40H0



Literature Parts

| Illus. No. | Part No. | DESCRIPTION | Illus. No. | Part No. | DESCRIPTION | Illus. No. | Part No. | DESCRIPTION |
|------------|--------------------------|--|------------|----------|---------------------|------------|----------|---------------------------------|
| 1 | LIT1168765 LIT1182182 | LITERATURE PARTS Wiring Diagram Use & Care Guide | 10 | 1163837 | Overload, Protector | 25 | 1164774 | Compressor, (Complete Assembly) |
| 2 | 1168728 | Tube, Restrictor (Length 36.00") | 11 | 950058 | Relay, Start | 26 | 1168761 | Pan, Drain |
| 3 | 1162526 | Strainer | 12 | 950055 | Cover, Terminal | 27 | 854624 | Bend, Return (9) |
| 6 | 950061 | Spring, Overload | 13 | 950056 | Retainer, Cover | 29 | 1162650 | Insulation (Restrictor Tube) |
| 7 | 1168724 | Condenser | 14 | 1168726 | Evaporator | | | |
| 8 | 708532 | Bend, Return (9) | 15 | 488480 | Screw, 8 x 1/2 (4) | | | |
| 9 | 1168777 | Deicer, Bimetal | 16 | 680975 | Washer | | | |
| | | | 17 | 24364001 | Clip, Compressor | | | |
| | | | 19 | 1168701 | Harness, Wire | | | |
| | | | 20 | 1168722 | Grommet (4) | | | |
| | | | 21 | 1168654 | Base | | | |
| | | | 22 | 1164241 | Caster (4) | | | |

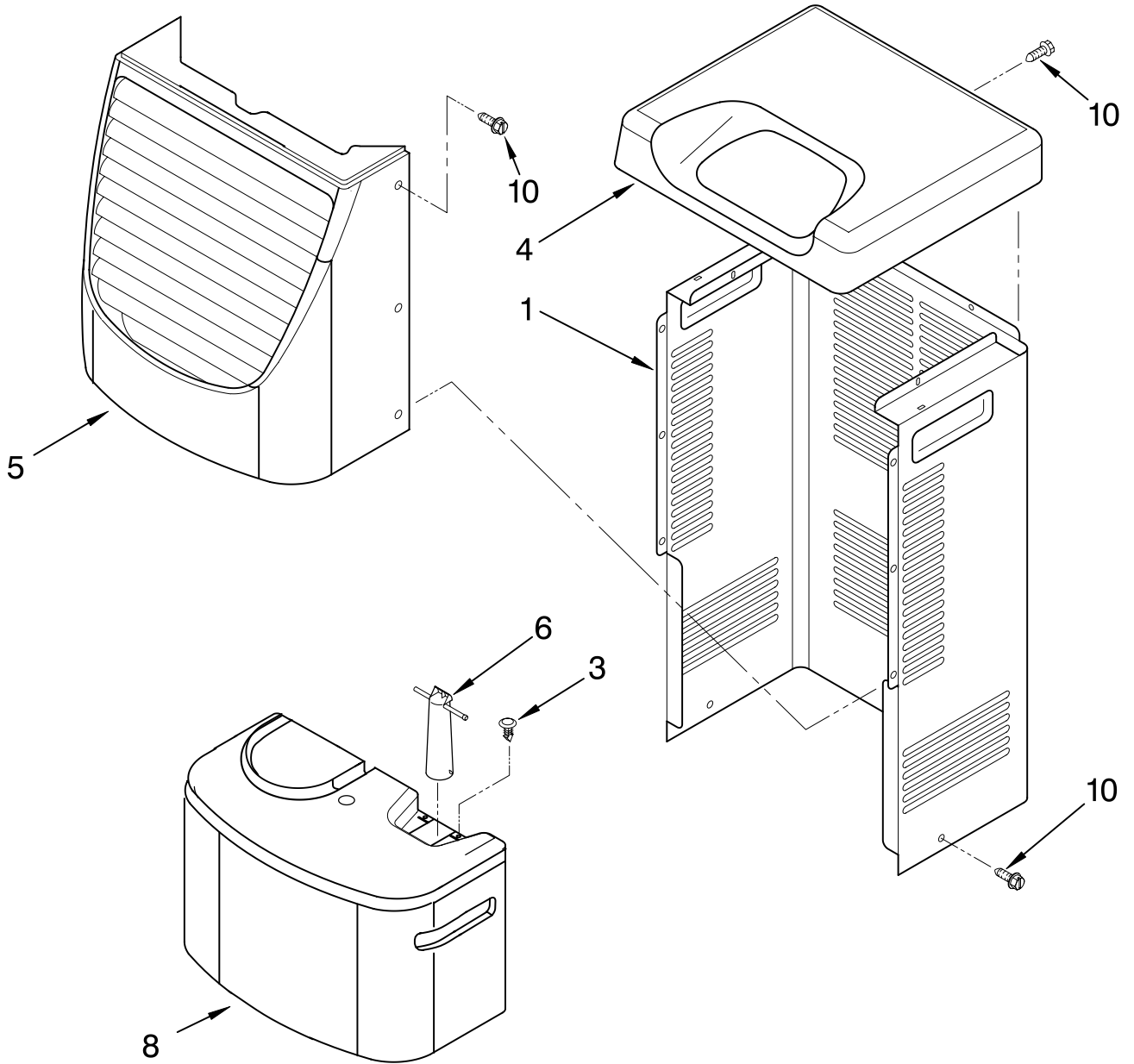
REFRIGERANT CHARGE

8.00 OZ.

**Production Compressor Requires Production Electrical Components.
Service Compressor Requires Service Electrical Components.
For Further Information, Refer to Standard Brand and Related Components.**

CABINET PARTS

For Model: DH40H0



| Illus. No. | Part No. | DESCRIPTION |
|------------|----------|--------------------|
| 1 | 1168667 | Cabinet |
| 3 | 1168762 | Clip, Float |
| 4 | 1168652 | Cover, Top |
| 5 | 1182059 | Cover, Front |
| 6 | 1172075 | Float |
| 8 | 1172079 | Bucket, Condensate |
| 10 | 1168744 | Screw |

| Illus. No. | Part No. | DESCRIPTION |
|---|----------|-------------------------------|
| Following Parts Not Illustrated and Optional Parts Not Included | | |
| | 484310 | Epoxy, Tube (Aluminum Repair) |
| | 505168 | Tape, No Drip Valve, Access |

| Illus. No. | Part No. | DESCRIPTION |
|------------|----------|-----------------------------------|
| | 978025 | 1/4" Tube O.D. |
| | 978026 | 5/16" Tube O.D. |
| | 978027 | 3/8" Tube O.D. |
| | 978028 | 1/2" Tube O.D. |
| | 978029 | 5/8" Tube O.D. |
| | 978030 | 3/4" Tube O.D. |
| | 978865 | Seal, Ring Access Valve (20 Pack) |