

This Owner's Manual is provided and hosted by [Appliance Factory Parts](#).



WHIRLPOOL AD0152XV2 Owner's Manual

[Shop genuine replacement parts for WHIRLPOOL
AD0152XV2](#)



[Find Your WHIRLPOOL Dehumidifier Parts - Select From 309 Models](#)

----- Manual continues below -----

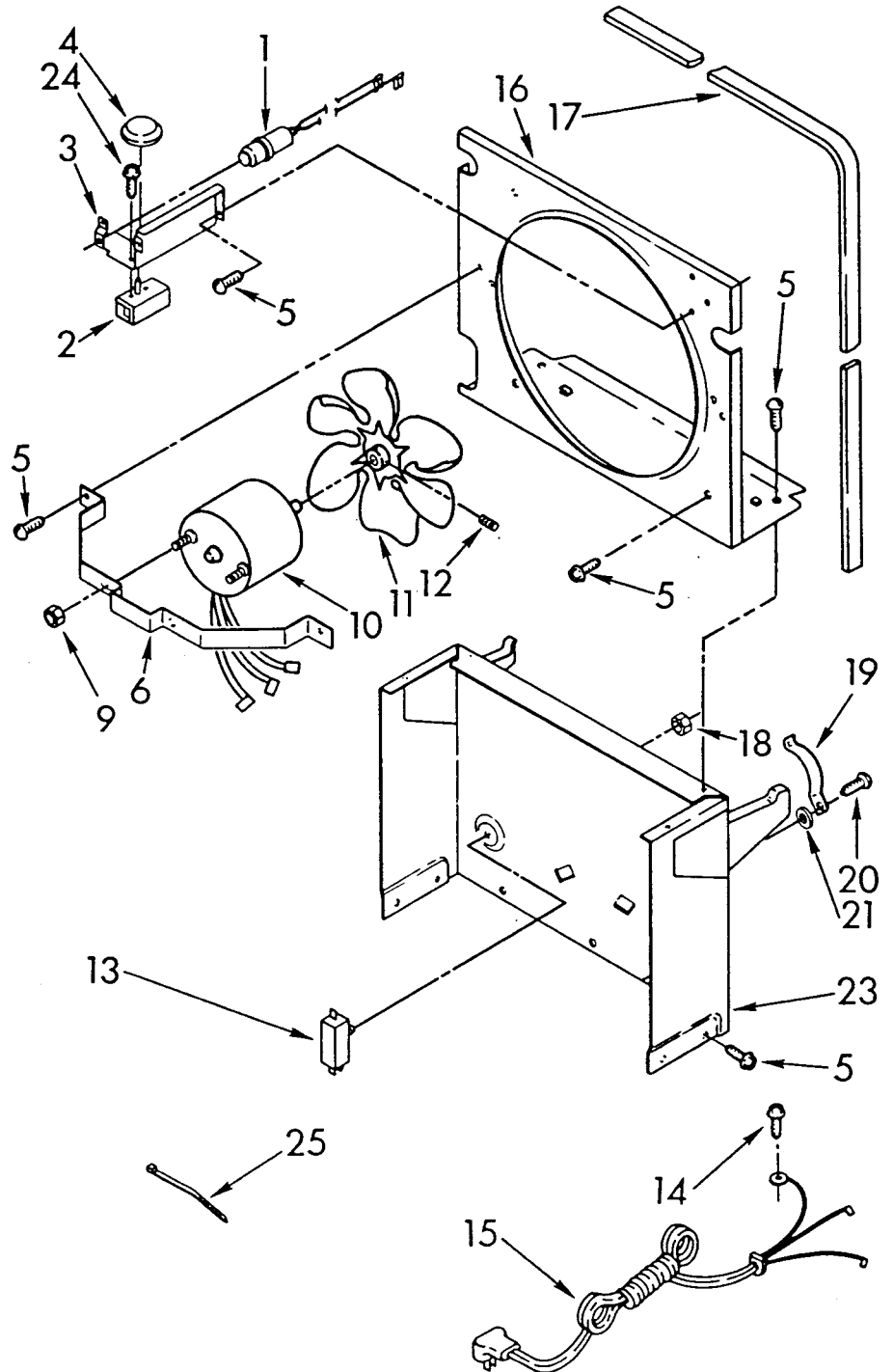
PARTS
LIST
FOR



DEHUMIDIFIER

MODEL
AD0152XM2

AIR FLOW AND CONTROL PARTS



1-87 Litho in U.S.A.

Whirlpool CORPORATION
Benton Harbor, Michigan.



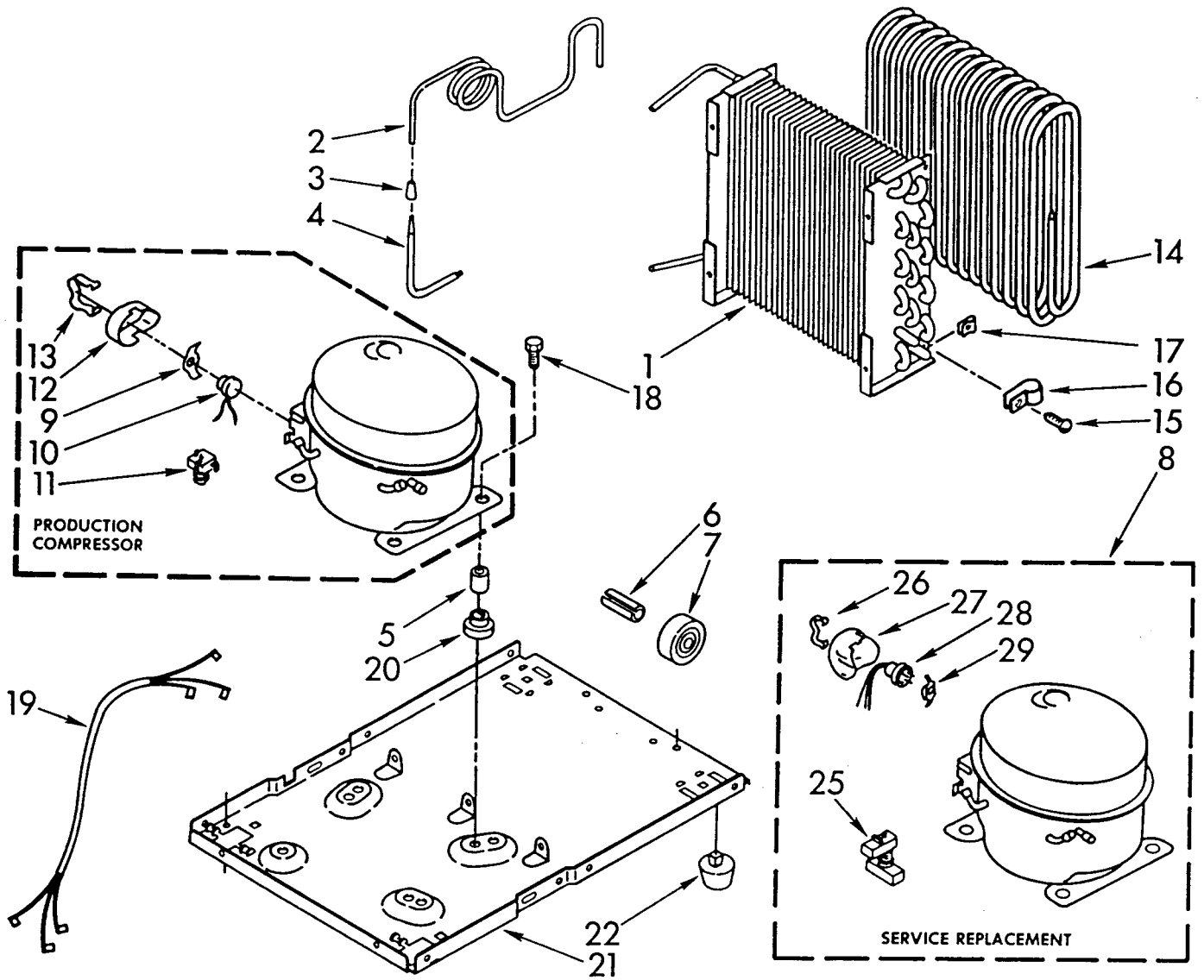
Part No. 879541

650-B-9

1	1155666	Light, Indicator
2	1155848	Humidistat, Control
3	951285	Bracket, Control
4	998859	Knob, Humidistat Control
5	488624	Screw, SM #8 x 3/8A
6	998777	Bracket, Fan Motor Mounting
9	488130	Nut, Fan Motor 8-32 (2)
10	1155662	Motor, Fan
11	949645	Blade, Fan
12	488035	Screw, Set 1/4-28 x 5/16
13	998783	Switch, Water Level Control
14	487871	Screw, 8-32 x 5/32
15	1155670	Cord, Appliance
16	998779	Plate, Orifice
17	998802	Seal
18	489001	Palnut, 3/8-32
19	998730	Spring, Water Level
20	488480	Screw, SM #8 x 1/2A
21		Washer, Repair
	489083	.030 Thickness
	489091	.045 Thickness
	489029	.060 Thickness
23	998744	Support
24	145450	Screw, 8 x 1/4 (2)
25	602851	Tie, Cable

UNIT PARTS

For Model AD0152XM2



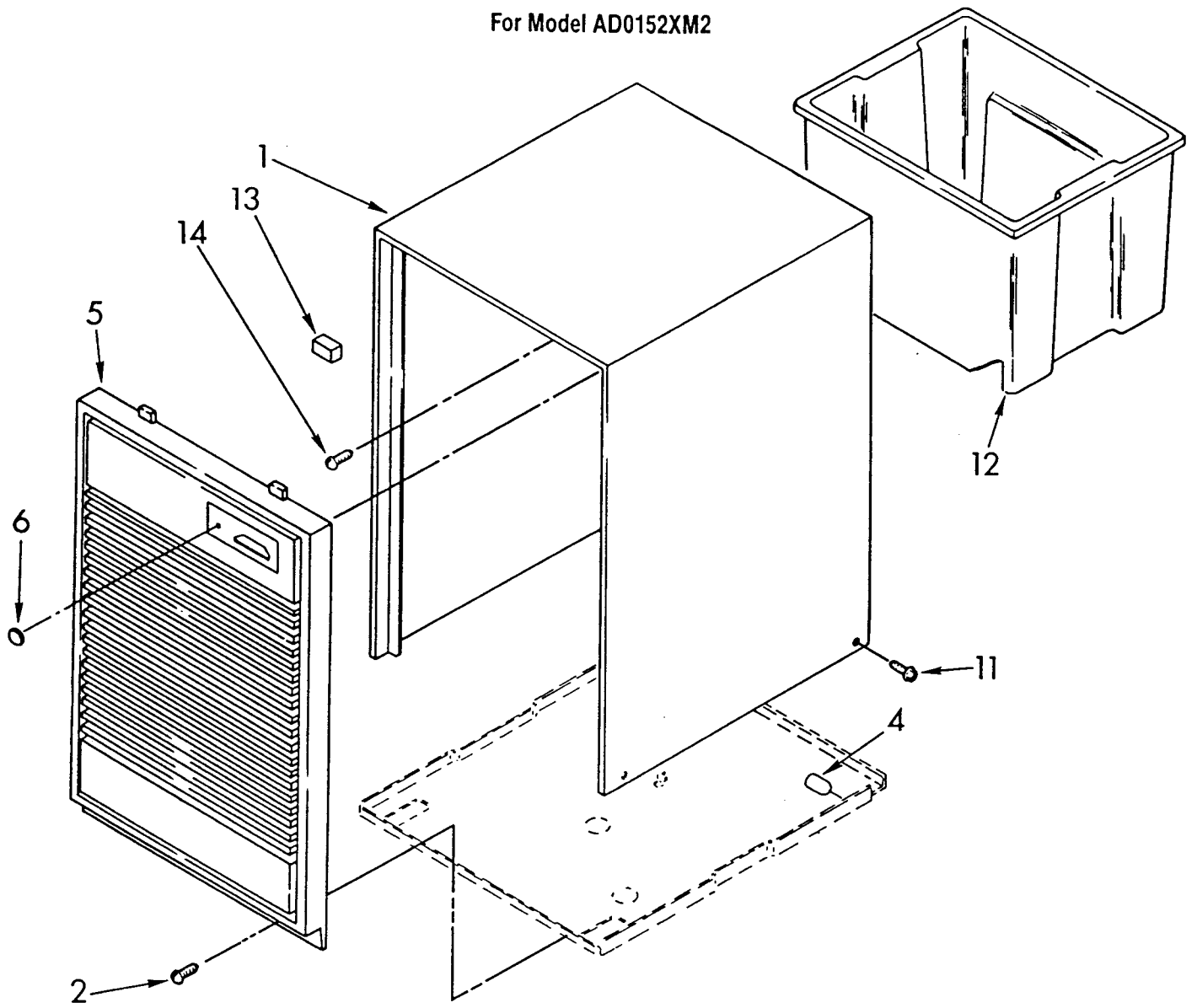
FOR ORDERING INFORMATION REFER TO PARTS PRICE LIST

879541

1	949893	Condenser
2	998759	Tube, Restrictor (35.0" Length)
3	474013	Strainer, Outlet Tube
4	949896	Tube, Outlet (Includes No. 3)
5	646498	Sleeve (4)
6	489015	Pin, Roller (2)
7	998726	Roller (2)
8	485780	Compressor, Service (Complete Assembly)
9	950061	Spring, Overload
10	950248	Overload
11	950249	Relay, Start
12	950055	Cover, Terminal
13	950056	Retainer, Cover
14	995082	Evaporator
15	487910	Screw, 8 x 3/8 (4)
16	488946	Clamp, Tube (4)
17	486197	Nut, Speed (4)
18	488400	Screw, 1/4-28 x 1" (4)
19	484136	Harness, Wire
20	646498	Grommet (4)
21	950359	Base
22	951886	Glide (2)
25	876693	Relay, Start
26	831282	Retainer, Cover
27	865068	Cover, Terminal
28	876690	Overload
29	549086	Spring, Overload

CABINET PARTS

For Model AD0152XM2



1	998821	Cabinet
2	489120	Screw, 8 x 1/2 (2)
4	998869	Cap, Thread Cover (2)
5	950269	Grille, Front
6	998846	Light Lens
11	489016	Screw, TC 8-32 x 3/8 (4)
12	951901	Pan, Condensate
13	948584	Spacer, Grille
14	489073	Screw, SM #8 x 32 (2)

Following Parts Not Illustrated And Optional Parts Not Included

646753	Cap, Condensate Pan
647338	Washer, Cap (Condensate Pan)
485426	Lacquer, Starlight Gray (1/2 Pt. Uncut)
799833	Epoxy, Tube (Aluminum Repair)
505168	Tape, No Drip (30')
212643	Sealer, Permagum (4 - 12" Strips) Valve, Valve
876764	3/16" Tube O.D.
978025	1/4" Tube O.D.
978026	5/16" Tube O.D.
978027	3/8" Tube O.D.
978028	1/2" Tube O.D.
978029	5/8" Tube O.D.
978030	3/4" Tube O.D.
978965	Seal, Ring Access Valve (20 - Pack)

Literature Parts

LIT1155876	Guide, Use And Care
LIT1155408	Sheet, Tech And Wiring Diagram
LIT879541	List, Repair Parts