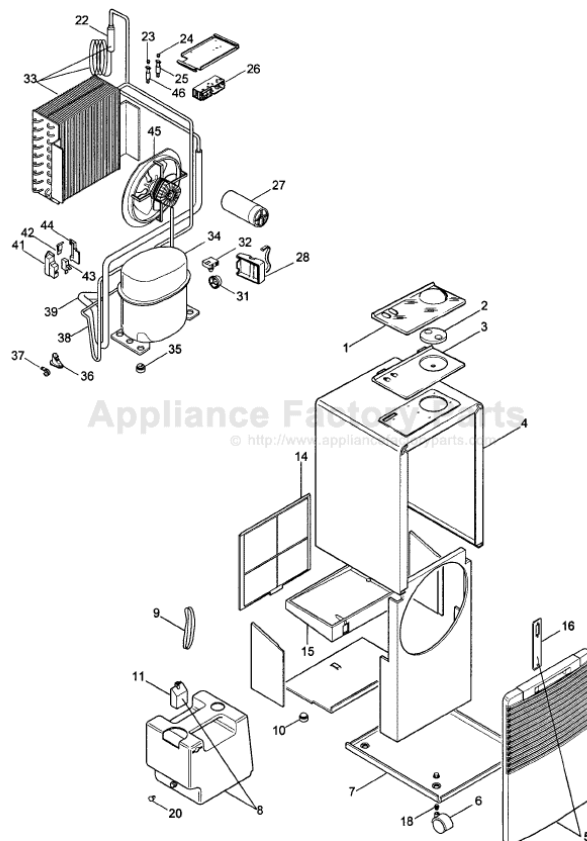


This Owner's Manual is provided and hosted by [Appliance Factory Parts](#).



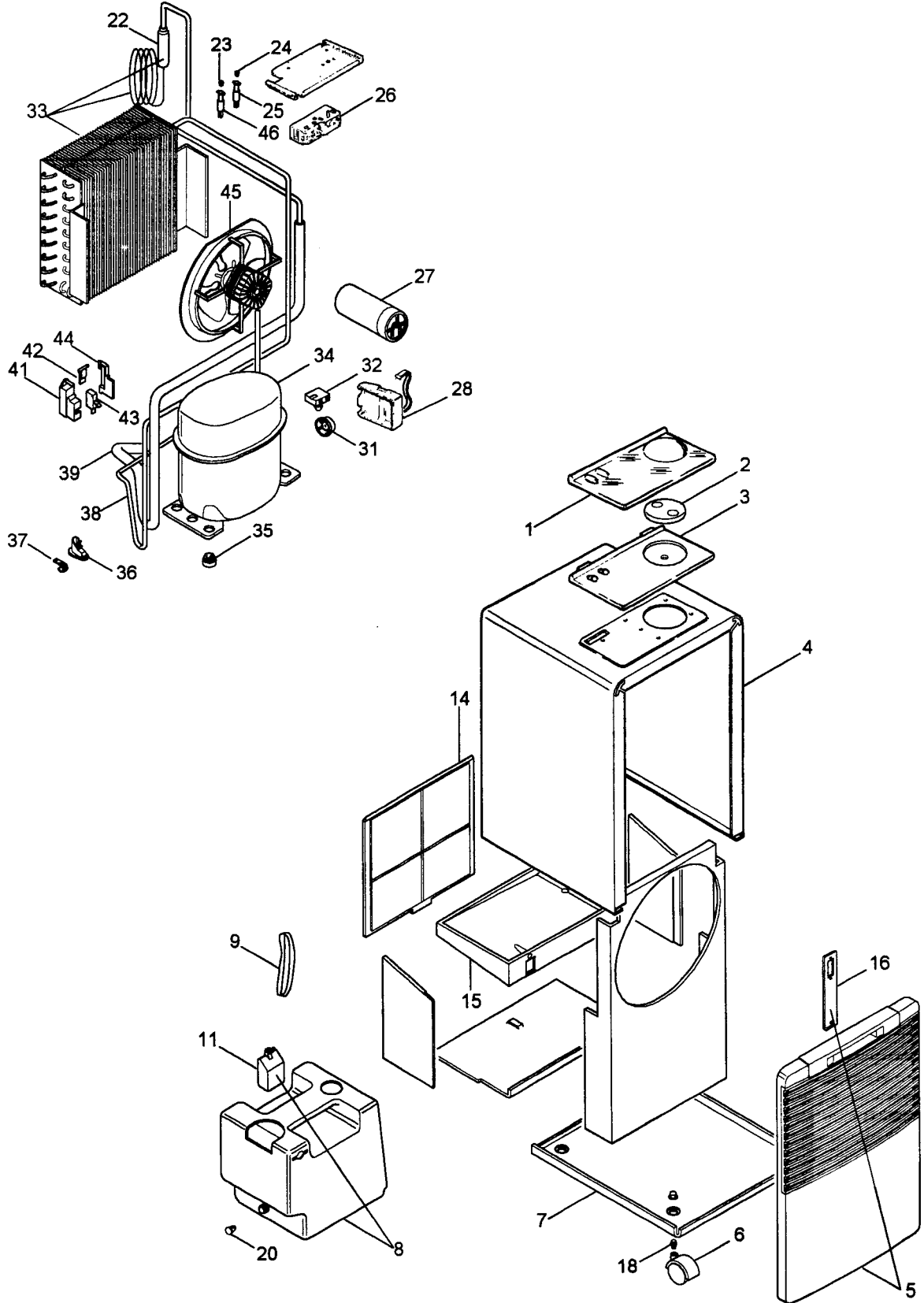
# DE'LONGHI DN40UL Owner's Manual

[Shop genuine replacement parts for DE'LONGHI  
DN40UL](#)



[Find Your DE'LONGHI Dehumidifier Parts - Select From 55 Models](#)

----- Manual continues below -----



Pos	Codice	Italiano	English	Francais	Deutsch	Espanol
001	<b>535363</b>	COPERCHIO	COVER	COUVERCLE	DECKEL	TAPA
002	<b>537053</b>	MANOPOLA	KNOB	BOUTON	KNOFF	MANDO
003	<b>5948000000</b>	CRUSCOTTO	CONTROL PANEL	Tableau deCommande	BEDIENUNGSBLENDE	Marco Panel Mandos
004	<b>7048000700</b>	MANTELLO	HOUSING	ENVELOPPE	GEHAEUSE	Chasis Envolvente
005	<b>7348000500</b>	FRONTALE	FRONT PANEL	PANNEAU AVANT	VORDERWAND	PARTE DELANTERA
006	<b>551834</b>	RUOTA	CASTOR	ROULETTE	RAD	RUEDA
007	<b>690351</b>	BASAMENTO	BASE	SOCLE	UNTERGESTELL	BASE
008	<b>5548000400</b>	TANICA	TANK	BIDON	KANISTER	LATA
009	<b>5348000900</b>	ELASTICO	RUBBER BAND	ELASTIQUE	GUMMIRING	ELASTICO
011	<b>534248</b>	GALLEGGIANTE	FLOAT	FLOTTEUR	SCHWIMMER	FLOTADOR
014	<b>5348000200</b>	FILTRO	FILTER	FILTRE	FILTER	FILTRO
015	<b>5348000800</b>	BACINELLA	TRAY	BAC	SCHALE	CUBETA
016	<b>534659</b>	TASSELLO	DOWEL	TASSEAU	EINSATZSTUECK	TARUGO
018	<b>602214</b>	PERNO	PIN	PIVOT	STIFT	PERNO
020	<b>534506</b>	TAPPO	STOPPER	BOUCHON	STOEPSSEL	TAPON
022	<b>552343</b>	FILTRO	FILTER	FILTRE	FILTER	FILTRO
023	<b>511554</b>	GEMMA VERDE	GREEN LENS	LENTILLE VERTE	GRUENE LINSE	PILOTO VERDE
024	<b>511407</b>	GEMMA ROSSA	RED LENS	LENTILLE ROUGE	LINSE ROT	PILOTO ROJO
025	<b>5148000700</b>	SPIA	WARNING LIGHT	TEMOIN LUMINEUX	KONTROLLEUCHTE	PILOTO
026	<b>521431</b>	UMID H4600A1244	HUMID H4600A1244	INDIC D HUMIDITE H4600A1244	FEUCHTIGSFUHLER H4600A1244	HUMID H4600A1244
027	<b>5148000300</b>	CONDENSAT. 200uF	CAPACITOR 200uF	CONDENSATEUR 200uF	KONDENSATOR 200uF	CONDENSAD.200uF
028	<b>535355</b>	COPERCHIO SICOM	COVER SICOM	COUVERCLE SICOM	DECKEL SICOM	TAPA SICOM
031	<b>5248000500</b>	KLIXON SICOM	KLIXON SICOM	KLIXON SICOM	KLIXON SICOM	KLIXON SICOM
032	<b>5248000400</b>	RELE SICOM	RELAY SICOM	RELAIS SICOM	RELAIS SICOM	RELE SICOM
033	<b>5548000300</b>	BATTERIA	BATTERY	CARCASSE	HEIZKOERPER	BATERIA
034	<b>5148000500</b>	Compressore Sicom	Compressor Sicom	Compresseur Sicom	Verdichter Sicom	Compresor Sicom
035	<b>531892</b>	AMMORTIZZATORE H=23	SHOCK ABSORBER H=23	AMORTISSEUR H=23	STOSSD MPFER H=23	AMORTEGUADOR H=23
036	<b>531122</b>	SERRACAVO	WIRE CLAMP	SERRE CABLE	KABELSCHELLE	GRAPA
037	<b>5348000700</b>	FERMACAVO	WIRE CLAMP	SERRE CABLE	KABELBEFESTIGUNGSHUELSE	SUJETACABLE
038	<b>6248000100</b>	Tube Mandata Sicom	DischargePipeSicom	Tuyau Refoulem.Sicom	Auslassrohr Sicom	Tube Impulsien Sicom
039	<b>5548000200</b>	TUBO RITORNO	RUNBACK TUBE	TUYAU D'ASPIRATION	SAUGROHR	TUBO DE SUCCION
041	<b>535629</b>	GUSCIO	PROTECTION	ENVELOPPE	GEHAEUSE	VAINA
042	<b>534880</b>	LEVA	LEVER	LEVIER	HEBEL	PALANCA
043	<b>5148000800</b>	MICROINTERRUTTORE	MICROSWITCH	MICRORUPTEUR	MIKROSCHALTER	MICROINTERRUPTOR
044	<b>535630</b>	GUSCIO	PROTECTION	ENVELOPPE	GEHAEUSE	VAINA
045	<b>512653</b>	VENTILATORE ELCO	VENTILATOR ELCO	VENTILATEUR ELCO	VENTILATOR ELCO	VENTILADOR ELCO
046	<b>5148000600</b>	SPIA	WARNING LIGHT	TEMOIN LUMINEUX	KONTROLLEUCHTE	PILOTO

DE'LONGHI "USA" DN40 UL COD.0148240005