

This Owner's Manual is provided and hosted by [Appliance Factory Parts](#).



# COMFORT-AIRE D30A1 Owner's Manual

[Shop genuine replacement parts for COMFORT-AIRE  
D30A1](#)



[Find Your COMFORT-AIRE Dehumidifier Parts - Select From 129 Models](#)

----- Manual continues below -----

# PARTS LIST

for



## DEHUMIDIFIER

**Model**

**D30A1**

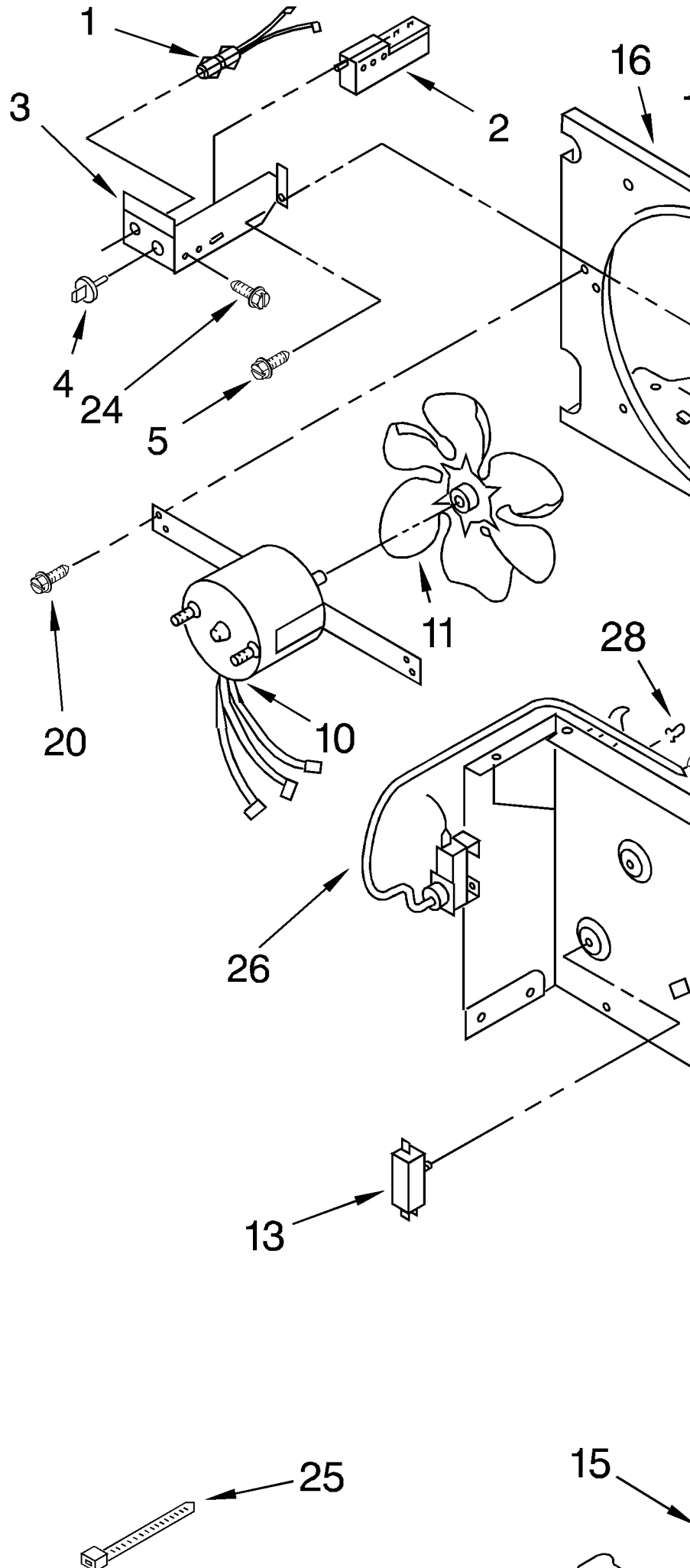


FOR CUSTOMER SATISFACTION ALWAYS USE  
FACTORY SPECIFICATION PARTS



# AIR FLOW AND CONTROL PART

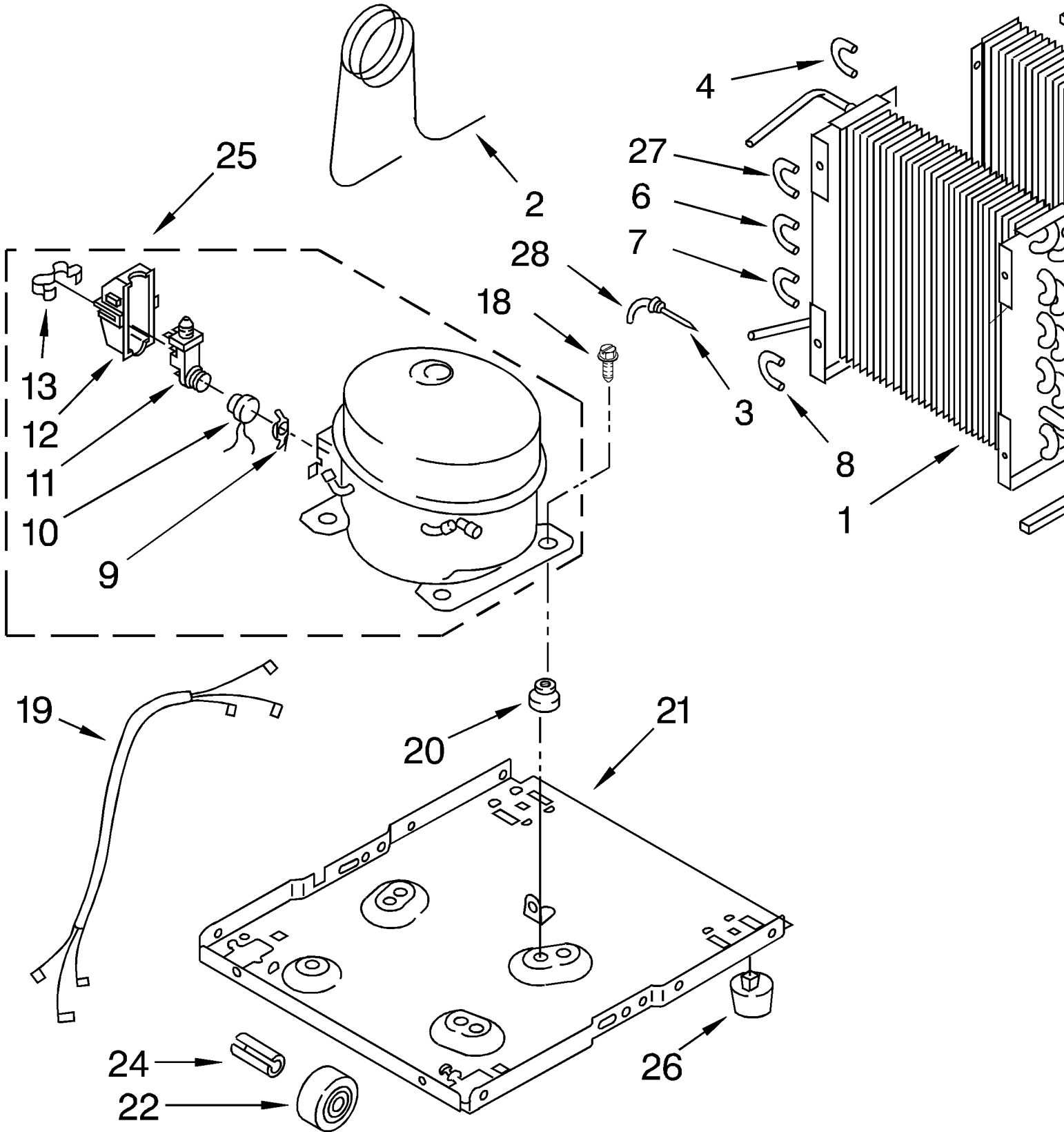
For Model: D30A1



1	1158419	Light, Indicator
2	1162578	Humidistat, Control
3	951284	Bracket, Control
4	1162670	Knob, Humidstat Control
5	488624	Screw, S.M. #8 x 3/8
10	1162030	Motor, Fan
11	949645	Blade, Fan
13	999747	Switch, Water Level Control
14	487871	Screw, 8-32 x 3/8
15	1155670	Cord, Appliance
16	998779	Plate, Orifice
17	1162704	Seal
18	489001	Palnut, 3/8-32
19	1161718	Spring, Water Level
20	488248	Screw, 8 x 3/4
21		Washer, Repair
	489083	.045 Thickness
	489029	.062 Thickness
23	1163800	Support
24	1162513	Screw 8-18 x 1/4
25	602851	Tie, Cable (3)
26	1155109	Thermostat, De-Icer
27	488234	Screw, 8-32 x 1/4 (2)
28	471363	Clamp, Tube (2)

# UNIT PARTS

For Model: D30A1

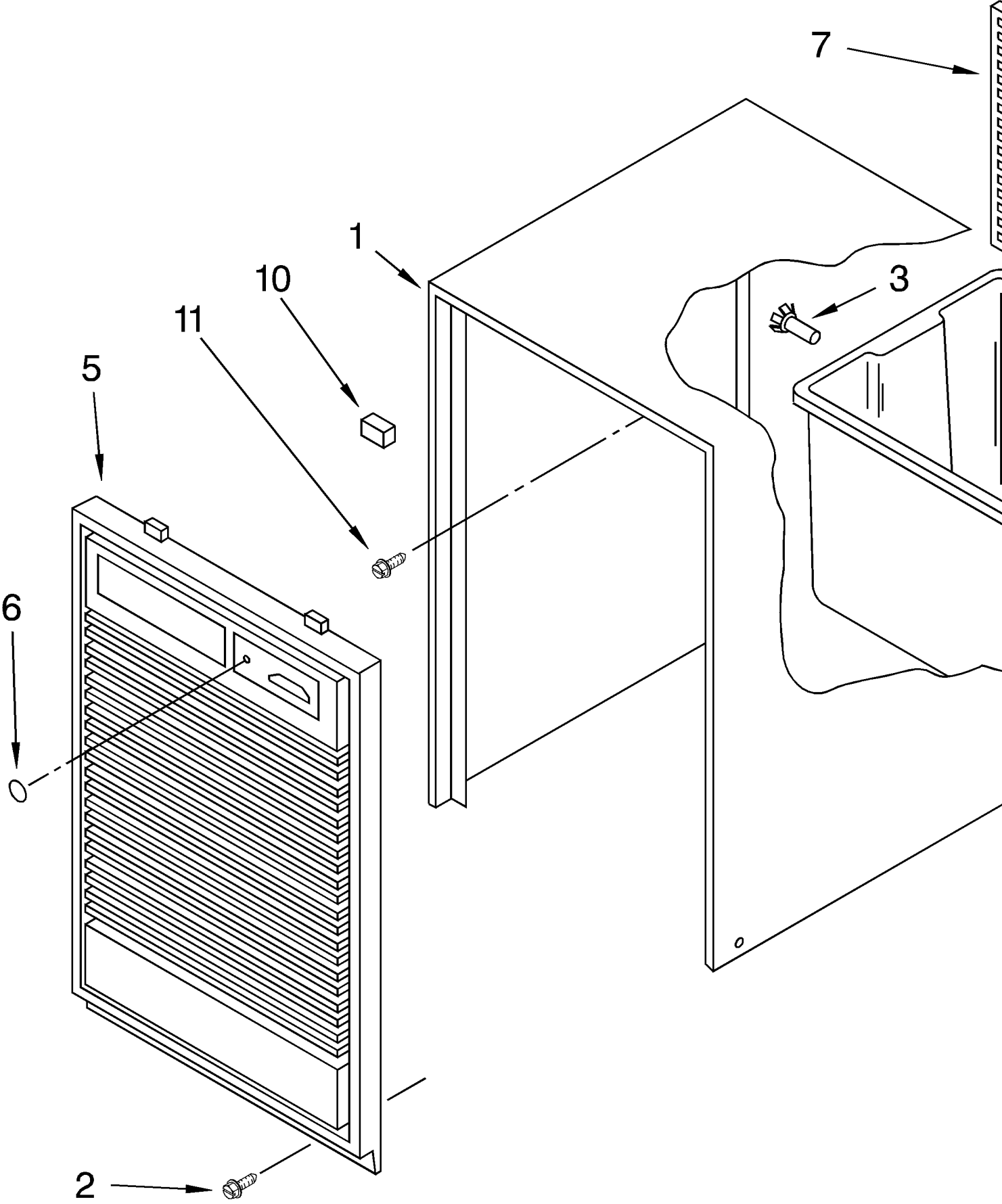


1	1163097	Condenser
2	1162154	Tube, Restrictor (Length 24.00")
3	1162526	Strainer
4	1158407	Bend, Return
5	1162348	Seal Evaporator Top
6	708531	Bend, Return
7	708532	Bend, Return
8	1156533	Bend, Return
9		Spring, Overload
	549086	Service
10		Overload, Protector
	1158790	Production
	876686	Service
11		Relay, Start
	1158608	Production
	876689	Service
12		Cover, Terminal
	1157582	Production
	865068	Service
13		Retainer, Cover
	938384	Production
	831282	Service
14	1162933	Evaporator
15	488480	Screw #8 x 1/2 (4)
16	1162372	Seal
18	1163835	Bolt, 1/4-28 x 1" (4)
19	484136	Harness, Wire
20	1156748	Grommet (4)
21	1157584	Base
22	998726	Roller (2)
24	489015	Pin, Roller (2)
25	1157552	Compressor, (Complete Assembly)
26	951886	Glide (2)
27	855199	Bend, Return (17)
28	854624	Bend, Return

Production Compressor Requires Production Electrical Components. Service Compressor Requires Service Electrical Components.

# CABINET PARTS

For Model: D30A1



1	998821	Cabinet
2	489120	Screw, #8 x 1/2 (2)
3	998813	Retainer Pin (Rear Grille)
5	1162665	Grille, Front
6	998846	Lens, Light
7	998832	Grille, Rear
8	951901	Pan, Condensate
9	1158781	Screw
10	948584	Spacer, Grille
11	489073	Screw, 8 x 3/8 (2)
	646753	Cap, Condensate Pan
	647338	Washer, Cap (Condensate Pan)
	485426	Lacquer, Starlight Gray (1/2 Pt. Uncut)
	484310	Epoxy, Tube (Aluminum Repair)
	505168	Tape, No Drip Valve, Access
	978025	1/4" Tube O.D.
	978026	5/16" Tube O.D.
	978027	3/8" Tube O.D.
	978028	1/2" Tube O.D.
	978029	5/8" Tube O.D.
	978030	3/4" Tube O.D.
	978865	Seal, Ring Access Valve (20 Pack)
	LIT1163818	Tech Sheet
	1157768	Wiring Diagram
	LIT1162709	Guide, Use And Care
	LIT1163827	List, Repair Part