

# PARTS LIST

for



## DEHUMIDIFIER

MODEL

D500

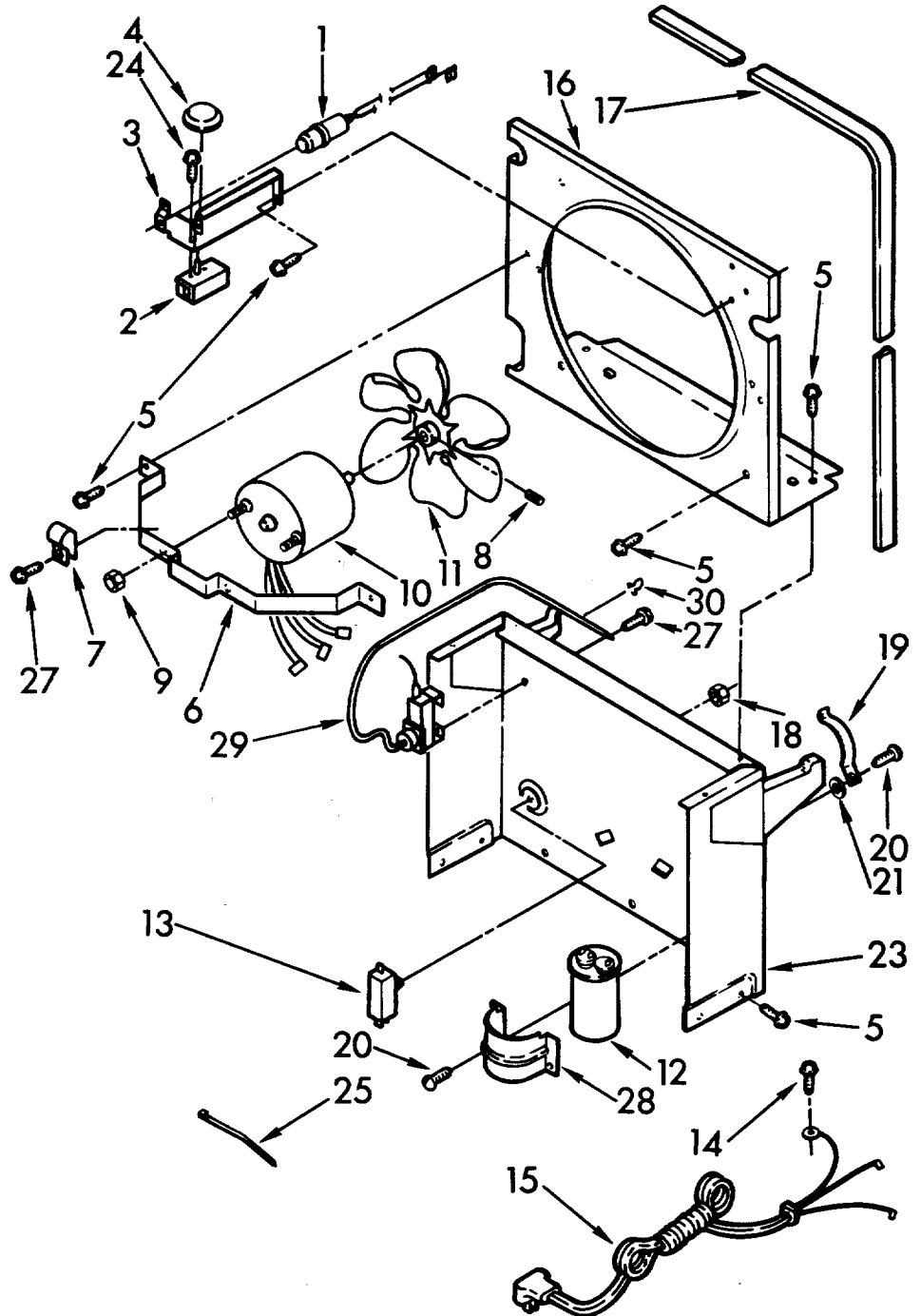


FOR CUSTOMER SATISFACTION ALWAYS USE  
FACTORY SPECIFICATION PARTS



# AIR FLOW AND CONTROL PARTS

For Model: D500



# AIRFLOW AND CONTROL PARTS

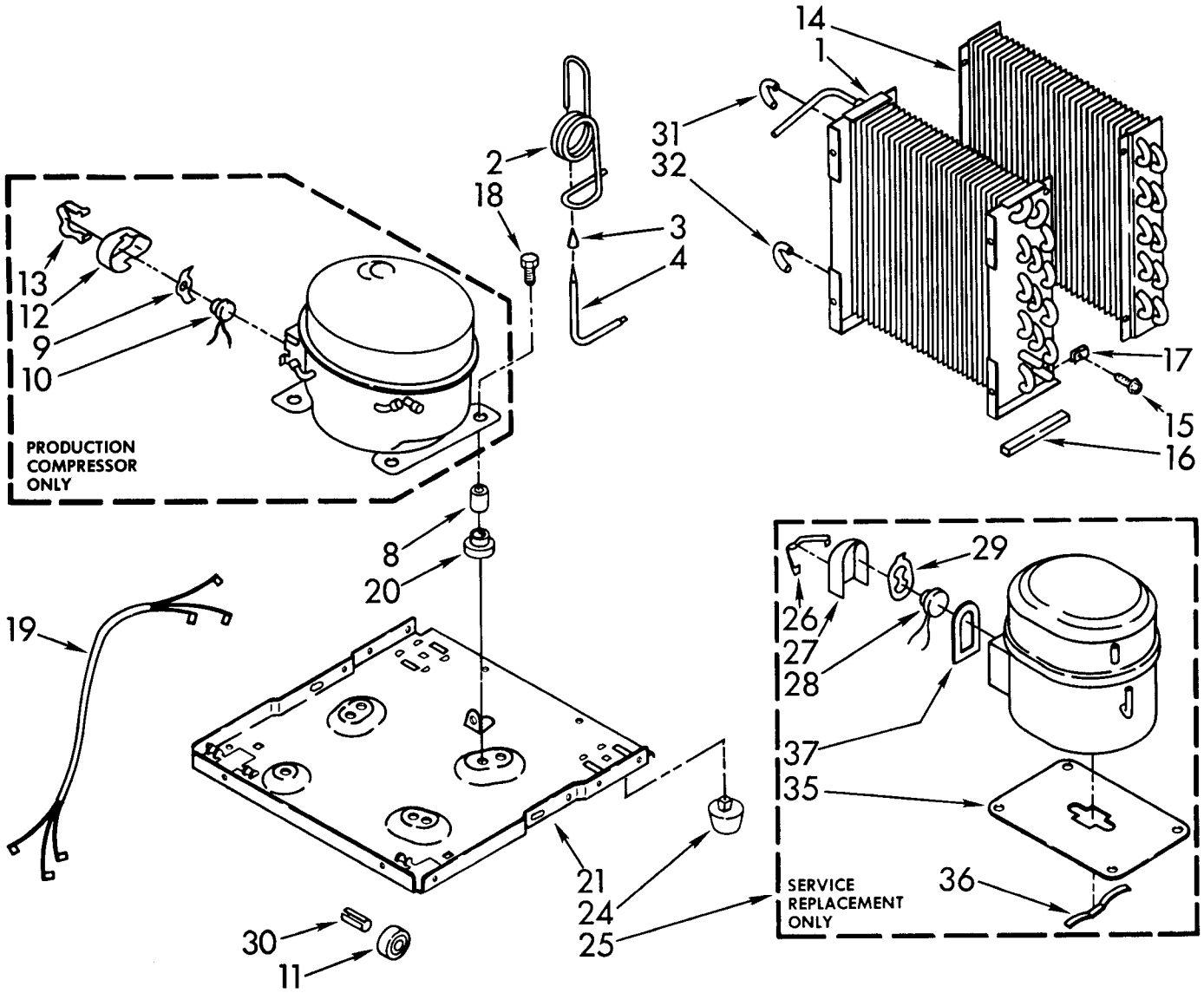
For Model: D500

## ILL PART

NO.	NO.	DESCRIPTION
1	1155766	Light,
2	1155848	Humidistat, Control
3	951285	Bracket, Control
4	998859	Knob, Humidistat Control
5	488624	Screw, S.M. #8 x 3/8A
6	998777	Bracket, Fan Motor Mounting
7	471363	Clamp, Tube (2)
8	488035	Screw, Set 1/4-28 x 5/16
9	1161548	Nut, Fan Motor 8-32 (2)
10	1156857	Motor, Fan
11	949645	Blade, Fan
12	951363	Capacitor, Run
13	998783	Switch, Water Level Control
14	487871	Screw, 8-32 x 3/8
15	1155669	Cord, Appliance
16	998779	Plate, Orifice
17	998802	Seal
18	489001	Palnut, 3/8-32
19	998730	Spring, Water Level
20	488248	Screw, S.M. 8 x 1/2A
21		Washer (Repair)
	489083	.030 Thickness
	489029	.062 Thickness
	489091	.091 Thickness
23	998744	Support
24	1162513	Screw, 8 x 1/4 (2)
25	602851	Tie, Cable
27	488234	Screw, 8-32 x 1/4 (2)
28	951364	Bracket, Capacitor
29	1155109	Control, De-Icer
30	471363	Clamp, Tube

# UNIT PARTS

For Model: D-50-0



FOR ORDERING INFORMATION REFER TO PARTS PRICE LIST

## UNIT PARTS

For Model: D500

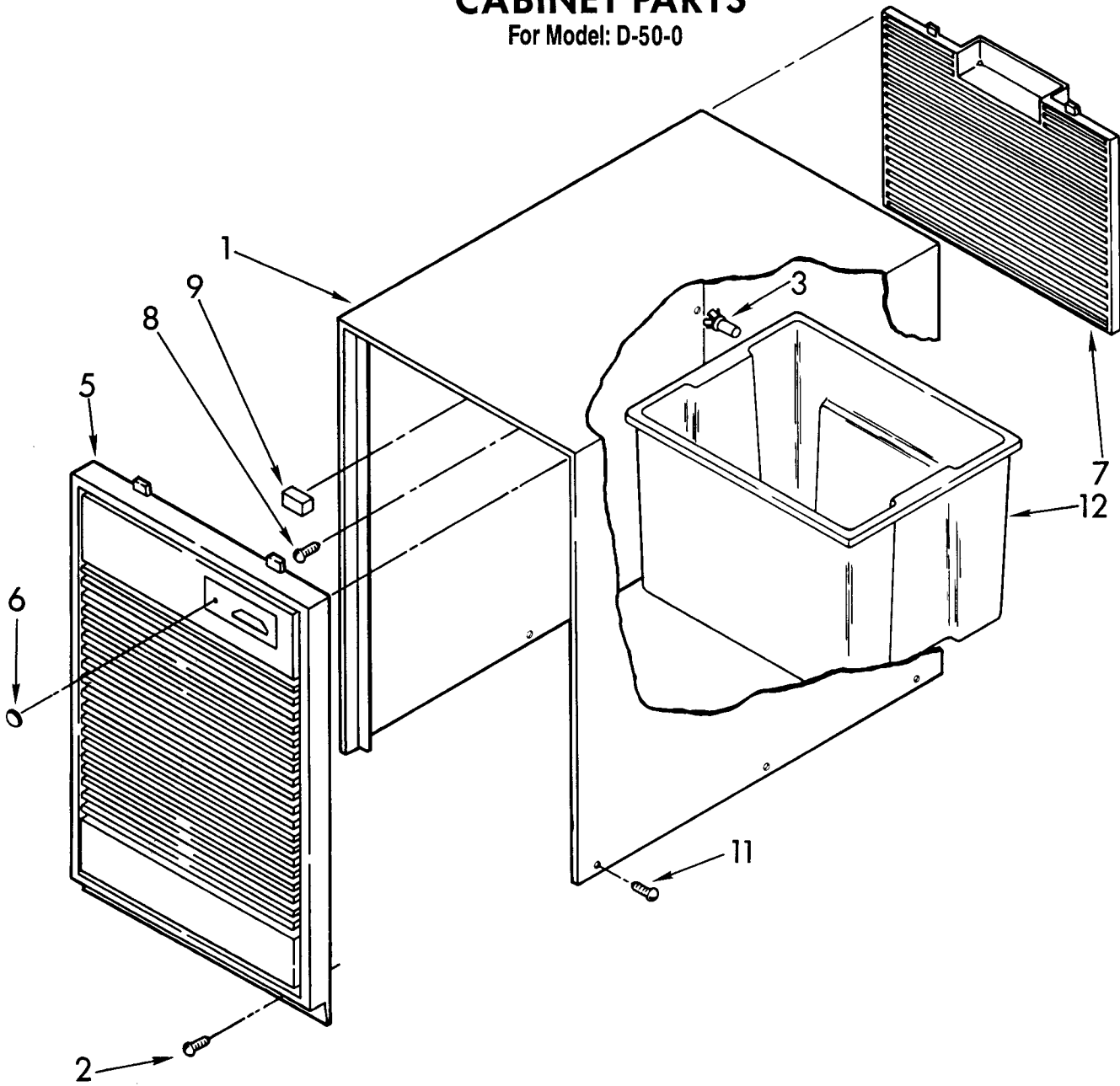
ILL NO.	PART NO.	DESCRIPTION
1	951345	Condenser
2	951684	Tube, Restrictor (46.0" Length)
3	474013	Strainer, Tube
4	951349	Tube, Outlet (Includes No.3)
8	646498	Sleeve (4)
9	950061	Spring, Overload
10	951312	Overload, Protector
11	998726	Roller (2)
12	950055	Cover, Terminal
13	950056	Retainer, Cover
14	1159235	Evaporator
15	488624	Screw, 8 x 3/8 (4)
16	998867	Seal
17	486197	Nut, Speed (4)
18	488400	Screw, 1/4-28 x 1" (4)
19	484136	Harness, Wire
20	646499	Grommet (4)
21	1157584	Base
24	951886	Glide (2)
25	876949	Compressor, Service (Complete Assembly)
26	832008	Retainer, Cover
27	798470	Cover, Terminal
28	798479	Overload
29	798469	Spring, Overload
30	489015	Pin, Roller (2)
31	855199	Bend, Return (13)
32	854624	Bend, Return
35	876944	Plate, Compressor Mounting
36	643179	Spring, Mounting
37	798471	Gasket, Cover

### Following Parts Not Illustrated and Optional Parts Not Included

1162476	PTC Start Device
1162477	PTC Clamp
1162377	Wire Assy. (2)
488480	Screw #8 x 1/2

# CABINET PARTS

For Model: D-50-0



FOR ORDERING INFORMATION REFER TO PARTS PRICE LIST

## CABINET PARTS

FOR MODEL: D500

ILL NO.	PART NO.	DESCRIPTION
1	998821	Cabinet
2	489120	Screw, 8-32 x 1/2 (2)
3	998813	Retainer, Pin (2) (Rear Grille)
5	1160159	Grille, Front
6	998846	Lens, Light
7	998832	Grille, Rear
8	489073	Screw, 8 x 3/8
9	948584	Spacer, Grille
11	1158781	Screw
12	951901	Pan, Condensate

### Following Parts Not Illustrated and Optional Parts Not Included

485426	Paint, Touch-Up Starlight Gray (1/2 Pint) Valve, Access
978025	1/4" Tube O.D.
978026	5/16" Tube O.D.
978027	3/8" Tube O.D.
978028	1/2" Tube O.D.
978029	5/8" Tube O.D.
978030	3/4" Tube O.D.
978865	Seal, Ring Access Valve (20- Pack)
212643	Sealer, Permagum (4 - 12" Strips)
799833	Epoxy, Tube (Aluminum Repair)
646753	Cap, Condensate Pan
647338	Washer, Cap (Condensate Pan)

### LITERATURE PARTS

LIT1162507	Sheet, Tech And Wiring Diagram
LIT1160157	Guide, Use And Care
LIT1160155	List, Repair List