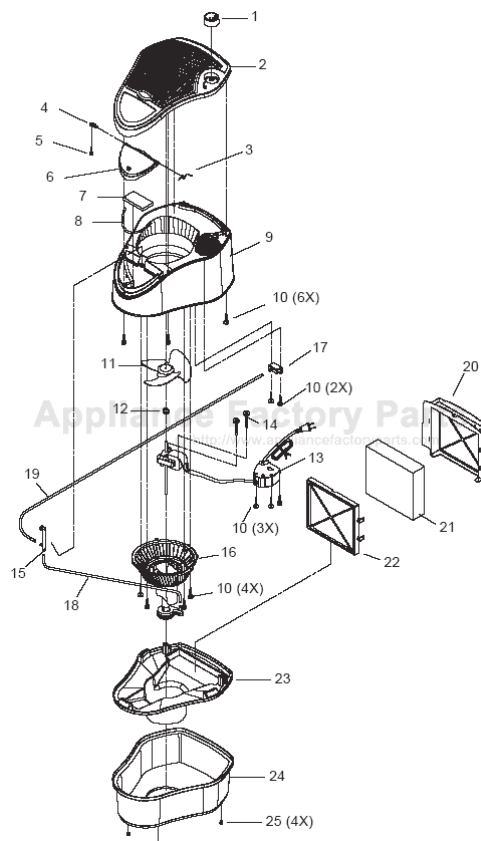


This Owner's Manual is provided and hosted by [Appliance Factory Parts](http://ApplianceFactoryParts.com).



AIR KING 9915 Owner's Manual

[Shop genuine replacement parts for AIR KING 9915](#)



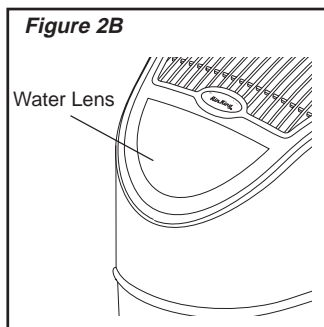
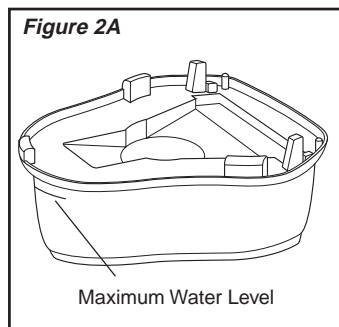
[Find Your AIR KING Humidifier Parts - Select From 46 Models](#)

----- Manual continues below -----

MODEL 3LA80A/9915A

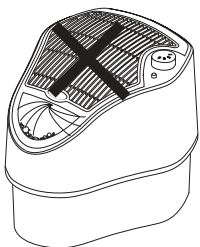
MODEL 3LA80A/9915A

- Even though your Humidifier will produce approximately 3 gallons in a 24 hour period*, the water capacity (amount of water the Humidifier will hold at one time) is 1.75 gallons.
- You may fill your **Recirculating Evaporative Humidifier** two different ways:
 - Fill the Base with cool water to level indicated in **Figure 2A**.
 - Replace the Upper Housing on the Base and push Water Lens down to pour water into the Humidifier (**Figure 2B**) until it reaches the level indicated in **Figure 2A**.



Do not overfill and never use hot water.
CAUTION: Do not pour water through the Exhaust Grill on the Upper Housing. Doing so may cause damage and personal injury.
Do not overfill. Overfilling the Unit may cause motor damage.

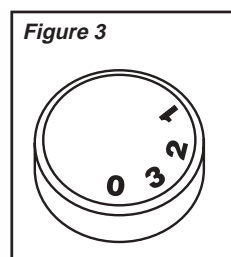
Always carry filled Humidifier carefully. Never move water filled Humidifier while plugged in.



- Take extra care to prevent water spillage that may damage furniture or flooring. **The manufacturer will not accept responsibility for damage to property caused by water spillage.**
- Always be sure that the Power Control Knob is in the **OFF (0)** position when plugging Humidifier into a grounded 120 volt AC wall outlet.

CAUTION: Do not plug Humidifier into electrical outlet with wet hands, or electrical shock may occur.

- Set Moisture Control Knob to regulate desired amount of humidity. (**Figure 3**)



HIGH (3): For fast humidification of a large room. This setting will provide approximately 3 gallons of moisture output in a 24 hour period.*

MED (2): For normal operation.

LOW (1): For quiet, night time operation.

* Calculations based on ambient conditions of 70° F and 30% relative humidity in a room of average insulation.

- Water usage will vary depending upon initial humidity level in the room. If humidity is low, the Unit will use water more rapidly until the humidity in the room is stabilized. If the humidity is already near or above 50% relative humidity, water consumption will be low.

CAUTION: Be careful not to direct airflow towards walls or furniture, as excessive moisture may cause damage.

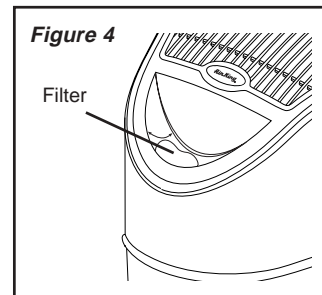
- Refill Humidifier when water level in the Base is low.
- If you do not plan to use your Humidifier for several days, empty all water from the Unit. Standing water may provide an environment for the growth of algae.

CLEANING and FILTER CARE

- Regular cleaning is necessary to ensure proper and efficient operation. The frequency of cleaning depends on the amount of impurities which may be found in the water or how often the Humidifier is in operation. **In either instance, it is recommended that the Humidifier be cleaned at least once a week.**

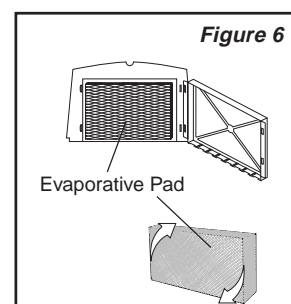
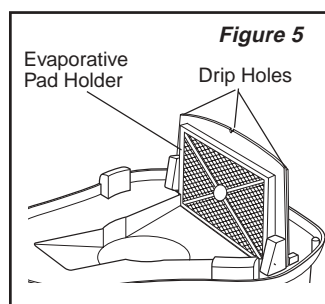
CAUTION: To prevent electric shock, always turn Control Knob to OFF (0) position and unplug before cleaning.

- Remove Upper Housing from Base. **Be careful not to let excess water from pump spill onto furniture or flooring.**



- With water lens pushed down, the filter may be removed for cleaning or replacing. (**Figure 4**)

- Remove Evaporative Pad Holder from Base and inspect Small Water Drip Holes for any blockage. (**Figure 5**) **It is important that these Drip Holes remain open at all times for proper water supply to Evaporative Pad.**



- To increase the life of your Evaporative Pad, unsnap Holder, remove Pad and flip over. (**Figure 6**)

Evaporative Pad life may be extended by cleaning the Pad in a vinegar solution. To clean Pad, mix one part undiluted vinegar with four parts warm tap water. Soak the Pad in this solution for 20 minutes, rinse Pad thoroughly with warm water to remove vinegar odor.

DO NOT FLATTEN, SQUEEZE OR TWIST FILTER WHEN CLEANING.

- Discoloration of the Evaporative Pad is normal after extended use. The discoloration is caused by mineral deposits in the water, and the degree of discoloration will vary depending upon the amount of mineral content in the water. When the Pad surface area is thoroughly discolored, or you notice reduced water usage, it is a good indicator that the Evaporative Pad needs to be replaced. The Evaporative Pad should be replaced at least once every season.

The Replacement Pad to be used in this unit is:

The Replacement Evaporative Pad Model 9932 (Available Separately)

- TO DESCALE BASE AND DRIP SHIELD:** Mix one part undiluted white vinegar with four parts warm tap water. Let vinegar solution stand for 20 minutes then wipe away any scale buildup using a soft brush or cloth. **Do not use soap or detergents and never use an abrasive cleaner.**
- TO DISINFECT BASE AND DRIP SHIELD:** Fill with 1 teaspoon of chlorine bleach and 1 gallon of water. Let solution stand for 20 minutes. Carefully empty Jug and rinse well with water until bleach smell is gone.