

F35R1119 Expandapac™ Media Air Filter

INSTALLATION INSTRUCTIONS

APPLICATION

The F35R1119 includes a U-channel brace for mounting onto the standard 24 in. by 24 in. filter grille. This brace adapts the grille to allow space for two 12 in. by 24 in. FC35A1076 Expandapac™ Filters.

INSTALLATION

To install the U channel brace (included) onto the back of the filter grille frame flange:

1. Center the U-channel brace on the back of the filter grille frame flange to create two 12 in. by 24 in. openings.
2. Attach the U-channel brace to the flange using pop rivets or sheet metal screws. See Fig. 1.
3. Install the four foam seals (included) according to the instructions on the filter.
4. Assemble the two FC35A1076 filters according to the instructions on the filter.
5. Place the filters into the two 12 in. by 24 in. openings and close the grille.

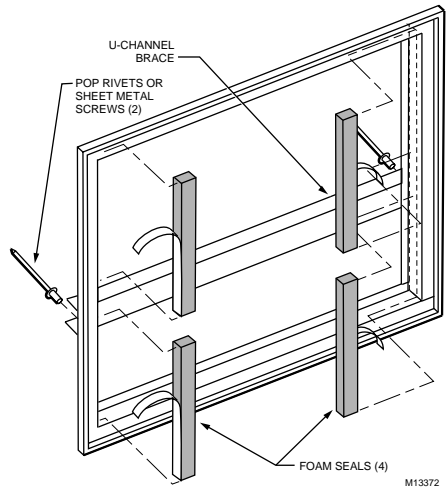


Fig. 1. U-channel brace mounted on 24 in. by 24 in. filter grille.

Home and Building Control

Honeywell Inc.
Honeywell Plaza
P.O. Box 524
Minneapolis, MN 55408-0524

Home and Building Control

Honeywell Limited-Honeywell Limitée
155 Gordon Baker Road
North York, Ontario
M2H 3N7

69-1333 G.H. 8-99



Printed in U.S.A. on recycled paper containing at least 10% post-consumer paper fibers.

www.honeywell.com

