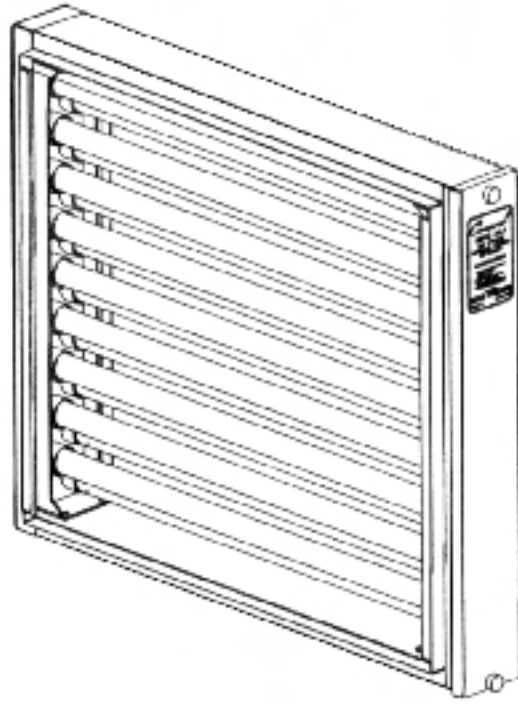


AC-2

ACTIVATED CARBON AIR PURIFIER

FOR INSTALLATION IN THE RETURN AIR DUCT OF ANY FORCED AIR HEATING AND COOLING SYSTEM



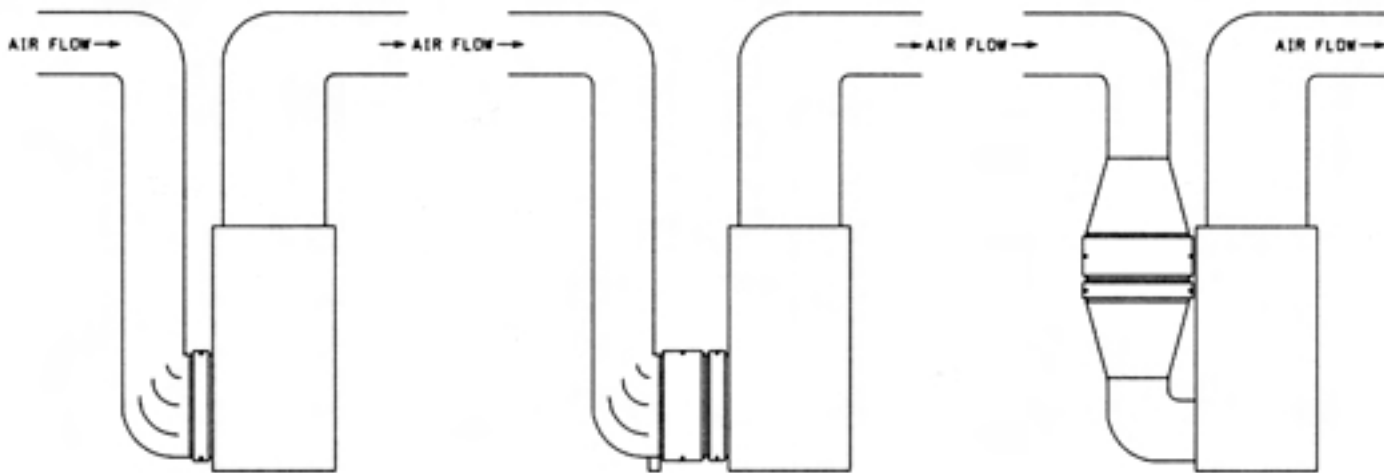
This air purifier is designed for use in systems up to 2000 CFM. For higher airflows additional units may be required. When the activated carbon air purifier is used with a high efficiency particulate air cleaner, mount the air purifier downstream of the particulate filter to prevent the carbon columns from becoming clogged with household dust.

IMPORTANT: A 26 INCH CLEARANCE MUST BE ALLOWED FOR REMOVAL OF THE CARBON CARRIER ASSEMBLY FROM THE CABINET.

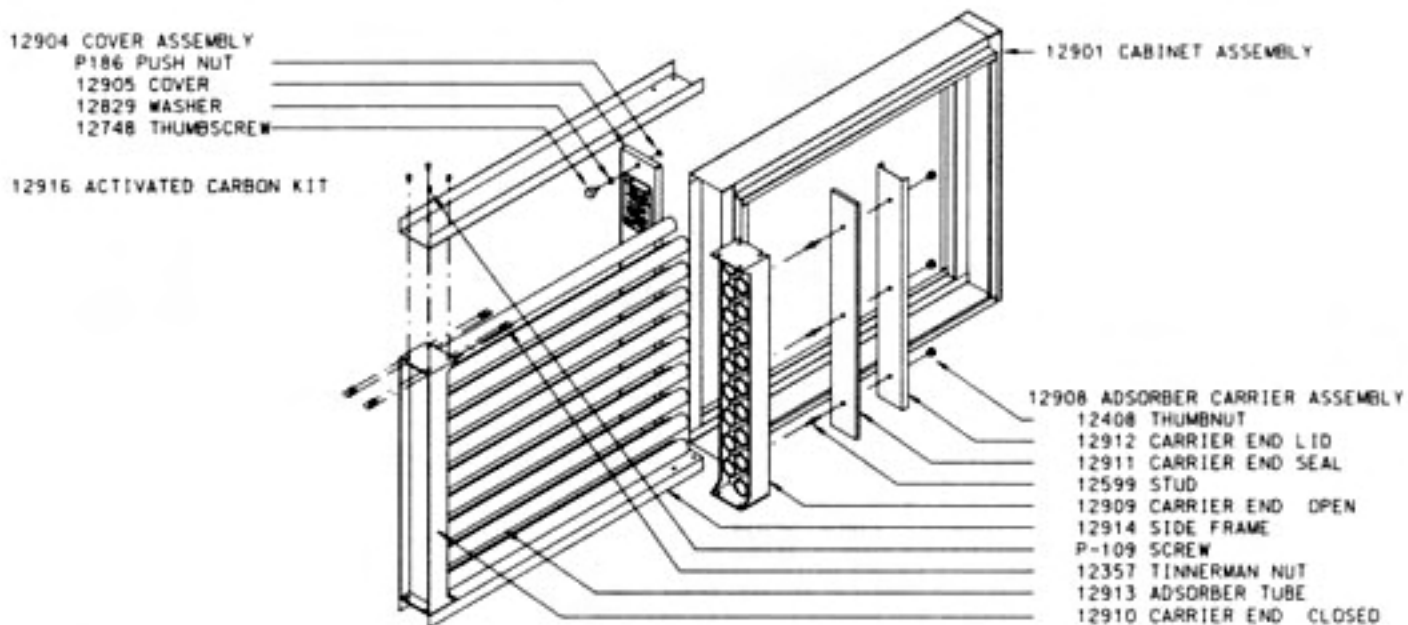
1. Loosen thumb screws and remove front cover.
2. Slide carbon carrier from cabinet.
3. Turn off electricity to furnace.
4. Install cabinet in return air system. See typical installations.
5. Use duct supports from the floor if needed and turning vanes and transitions as required.
6. Fill carbon media carrier with carbon from carbon kit. Follow instructions on carrier lid.
7. Slide carbon media carrier into cabinet and replace cover.
8. Turn on furnace and check performance of all equipment.

INSTALLER: PLEASE FILL OUT AND MAIL GUARANTEE CARD AFTER INSTALLATION IS COMPLETE. LEAVE MAINTENANCE CARD AND INSTALLATION INSTRUCTIONS WITH HOME OWNER.

Typical Installations



Parts List



WHEN ORDERING PARTS, REFER TO THE ABOVE LIST OF PARTS NAMES AND PARTS NUMBERS