

This Owner's Manual is provided and hosted by [Appliance Factory Parts](http://www.appliancefactoryparts.com).



# DE'LONGHI PAC290 Owner's Manual

[Shop genuine replacement parts for DE'LONGHI  
PAC290](#)



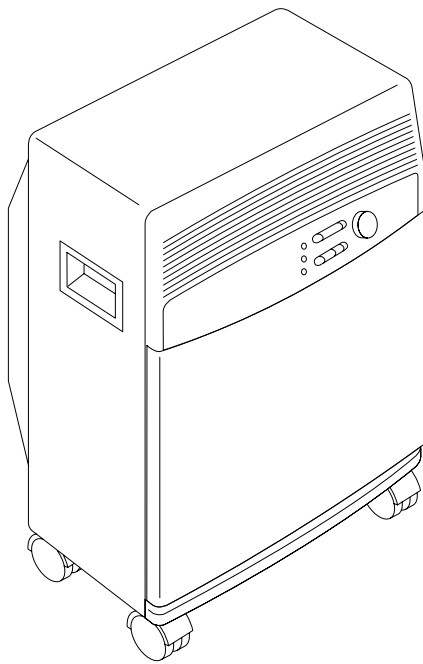
[Find Your DE'LONGHI Air Conditioner Parts - Select From 155 Models](#)

----- Manual continues below -----

OWNERS' MANUAL



## **PAC 290 U Portable Windowless Air-Conditioner**



IMPORTANT: NOTE MAINTENANCE NEEDS ON PAGE 14



PAC290

## IMPORTANT INFORMATION

When using electrical appliances, basic safety precautions should always be followed, including the following:

- Read all instructions.
- To protect against fire, electrical shock and personal injury, do not immerse cord, plug or appliance in water or other liquid.
- Close supervision is necessary when any appliance is used by or near children.
- Do not operate with a damaged cord or plug, or after the appliance malfunctions, or has been damaged in any manner. Return the appliance to the nearest authorized service facility for examination, repair or adjustment.
- The use of accessory attachments or spare parts not recommended by the appliance manufacturer may result in fire, electrical shock or personal injury.
- Do not use outdoors.
- Do not use the appliance for other than the intended use.
- Do not place any strain on the power cord. Avoid twisting and/or tangling.
- Ensure that outlet vent of exhaust hose is kept debris-clear and obstruction free.
- Ensure that ventilation holes on the rear of the machine and front louvers are not blocked.
- The Pinguino should not be installed where the atmosphere could contain combustible gases.
- Avoid using Pinguino in oily or sulphurous atmospheres or near sources of heat.
- Wait at least 3 minutes before restarting, after the air-conditioner has been switched off or the thermostat setting changed.
- Before moving the air-conditioner, remove tank and empty water from collecting tray (see instructions for drainage at page 12).
- Do not place hot or heavy objects on the appliance.
- Clean air filter every week (see instructions at page 13).
- **Important:** If you need to use an extension cord, please be sure to use a **heavy duty** extension cord (minimum 14 gauge).

## SAVE THESE INSTRUCTIONS

*Dear user,*

*We thank you for purchasing the Pinguino air-conditioner and congratulate you on your wise choice.*

*For optimal results please read this manual carefully before installing or operating.*

*We know that the Pinguino will maintain your environment pleasingly comfortable at all times.*

*With best wishes*

**DeLonghi America, Inc.**

***If you have any questions about the operation or service of your Pinguino, please call our toll-free service number 1-800-322-3848 or 1 - 877-235-1052 in the U.S. or no. (905) 238-1313 in Canada.***

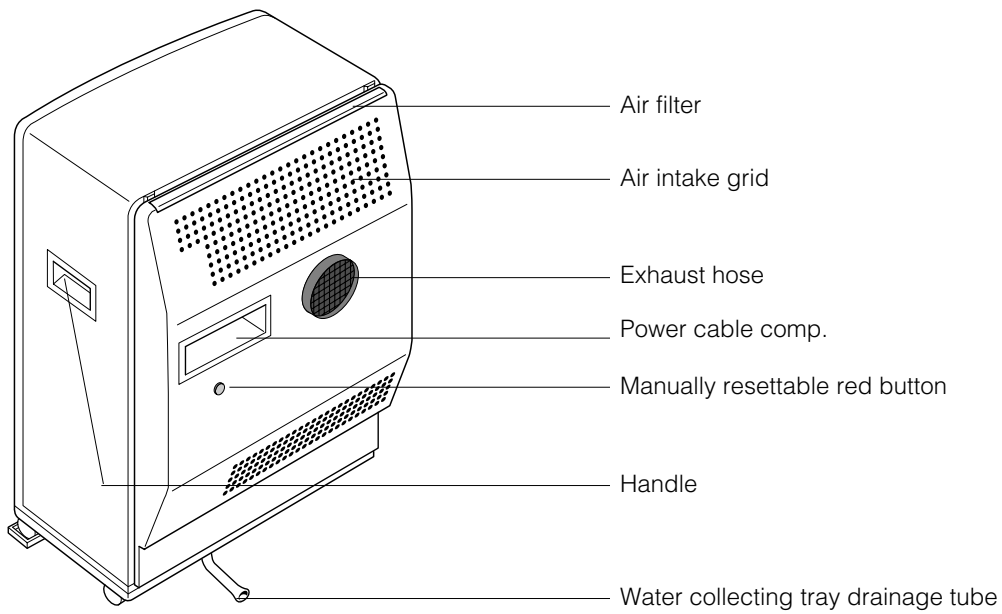
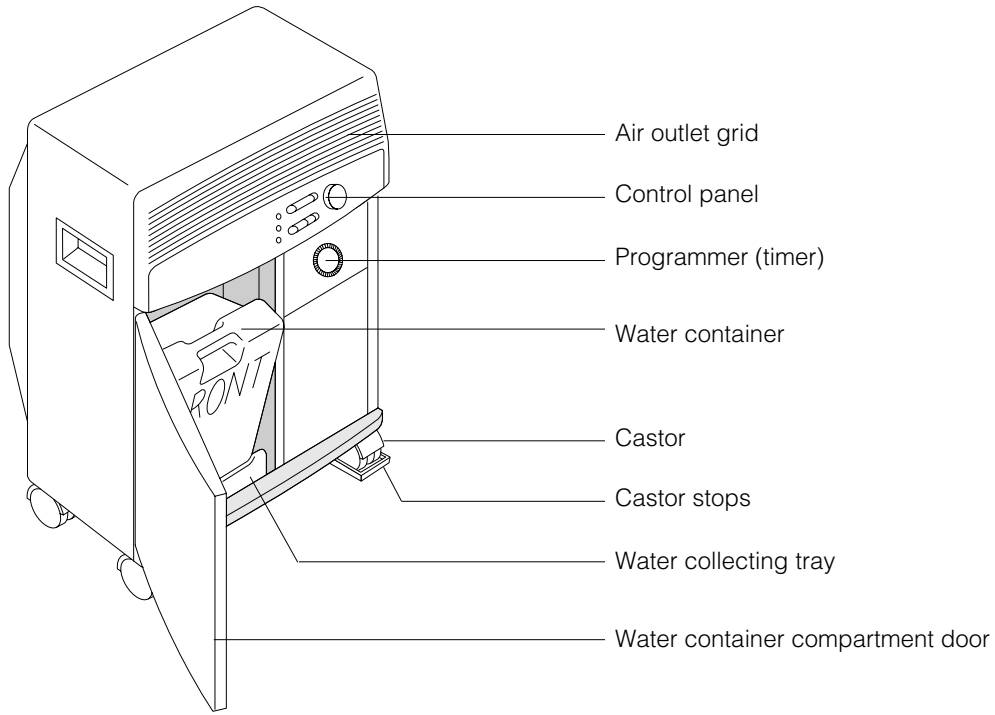
## SPECIFICATIONS

Power supply voltage	V	110-120
Frequency	Hz	60
Cooling capacity:		
With water	Btu	8500*
With air	Btu	7500*
Current consumption	A/W	6,5/ 990
Water tank capacity	pints	30.65
Air flow capacity	cfm.	212
Room thermostat (34° to 102°F)		adjustable
Dimensions:	width	in.
	height	in.
	depth	in.
		22",05
		28",74
		15",35
Net weight	lbs.	97
Refrigerant system	(freon)	R 22
Compressor protection		Overload relay
Freon charge	lb. (gr)	see rating label
*Data according to pending standard testing procedures subject to review by the U.S. Dept. of Energy.		

## OPTIMUM OPERATING RANGE



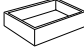


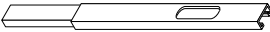

ROOM TEMPERATURE		70°F - 90°F
ROOM HUMIDITY FACTOR		50% - 80% RH
POWER SUPPLY	FREQUENCY	60 HZ
	VOLTAGE	115V

## ILLUSTRATED MAIN FEATURES LIST



**ILLUSTRATED ACCESSORY LIST**

Table 1

	DESCRIPTION	SUPPLIED
	Exhaust hose	1
	Permanent wall vent	1
	Caster stop	2
	Descaling fluid	1
	Window nozzle	1
	Adjustable window bracket	1
	Suction disc	2

**ACCESSORY CHECK**

Check that all parts listed in Table 1 are included.

## PERMANENT INSTALLATION

The Pinguino accessories include one wall vent for exhausting your Pinguino. Once installed, this vent is the only item needed for using Pinguino.

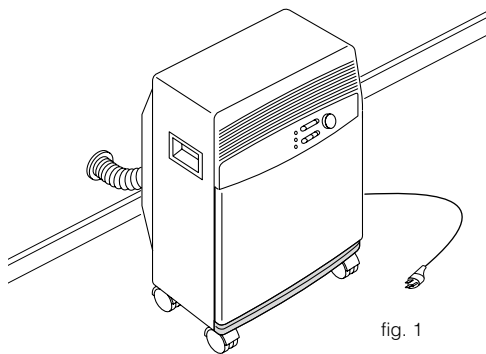


fig. 1

**Permanent installation** outlet holes must be in an exterior wall and opening diameter should not exceed 4"½.

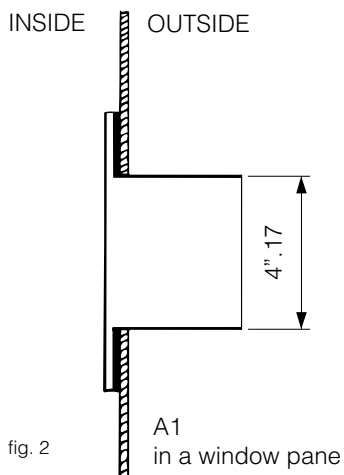


fig. 2

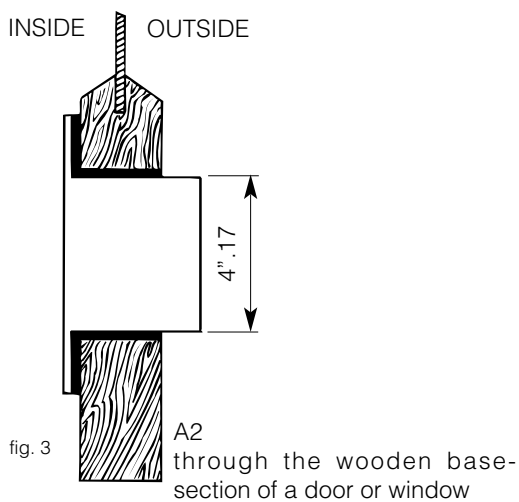


fig. 3

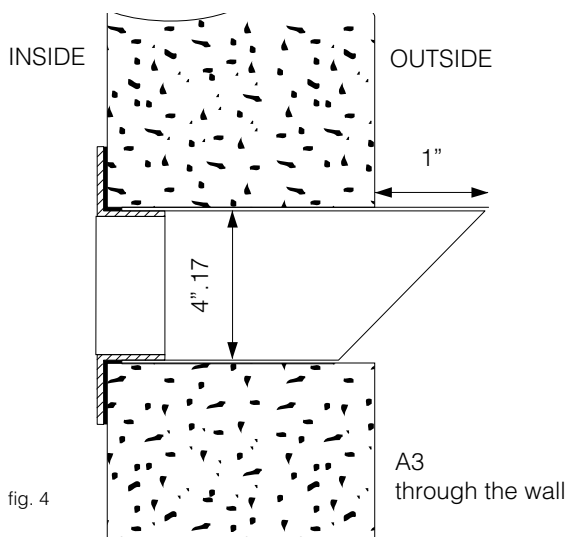


fig. 4

In case of fixed installation, air discharged from rear hose has been extracted from the room where the appliance is installed. Check that the room (especially if small) is not "air-tight"; a drop in pressure would cause irregular functioning, which could consequently activate reset switch. Air entering through door and window cracks is normally sufficient. If deemed, necessary leave a door ajar (approx. 1/2 inch is enough).

## TEMPORARY INSTALLATION

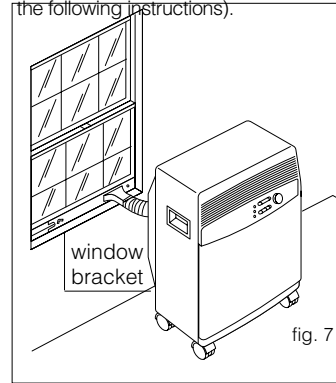
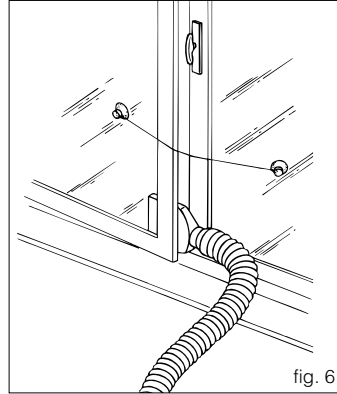
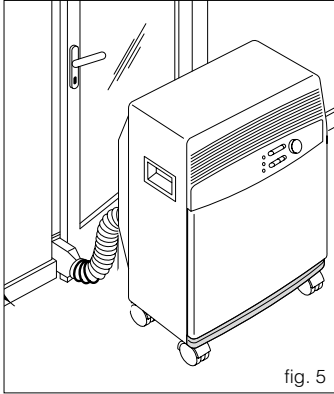
**Note:** In both cases (permanent and temporary installations) make sure that the Pinguino is positioned on level ground. If necessary use the two caster stops for the front casters

This installation makes it easy to use Pinguino in any room, provided there is a window or a door: it allows you to use the Pinguino immediately (Fig. 5).

Suction discs may be used to keep window or door closed (Fig. 6).

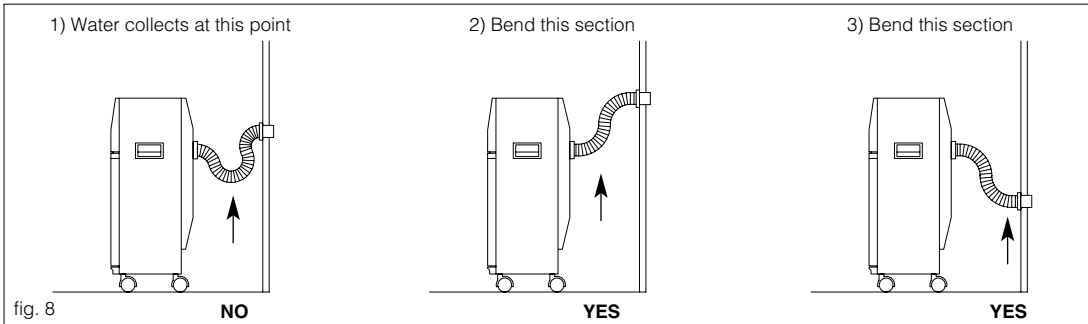
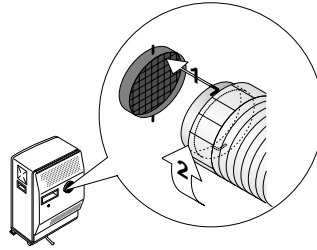
Pinguino is equipped with an adjustable window bracket. If you have a sash window, place the bracket on the window sill, extend the bracket fully within the window frame and lower the window onto the bracket. Insert the nozzle of the exhaust hose into the slot, then connect the hose to the air conditioner (Fig. 7).

Thanks to the wing nut, it's possible to use the window bracket also for sliding windows. Position the hole of the bracket so to allow a correct installation of the exhaust hose (see the following instructions).



## PREPARING THE UNIT FOR USE

- 1) Fit the exhaust tube in place; if your conditioner is supplied with a bayonet tube, it is fitted as illustrated in the diagram.
- 2) For permanent installation, place the appliance near the wall or window outlet. Make sure it is standing on a level surface and fit the special shock absorbers/caster stops underneath the castors.



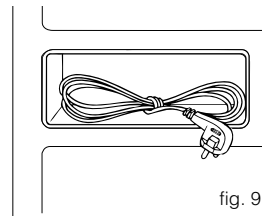
## ELECTRICAL CONNECTION

Check that the power supply voltage is 115 V ~ 60 Hz.

**Important:** if you need to use an extension cord, please be sure to use a **heavy duty** extension cord (minimum 14 gauge).

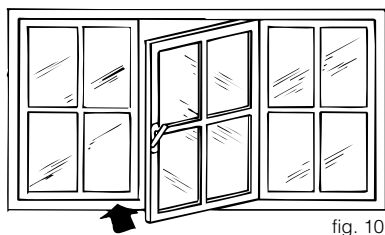
Before connecting the Pinguino to power supply, make sure that all switches on the front control panel are in the OFF position.

Connect power cord found in storage compartment at rear of the Pinguino (Fig. 9).

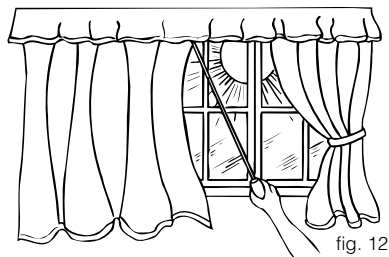
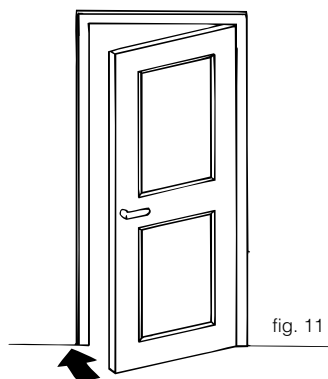


## FINAL CHECK

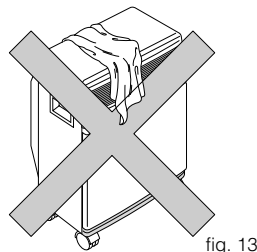
In order to obtain the maximum performance from your air-conditioner make sure that:



- Doors and windows of room to be air-conditioned are closed (with the exception of temporary installation where a partially opened window is necessary).



- Shade the room as far as possible from direct sunlight by drawing curtains and/or lowering blinds or shutters, for economical and efficient air-cooling.



- Ensure that intake and outlet vents (fig. 2 and 3) are not blocked.
- Make sure there are no sources of heat in the room.

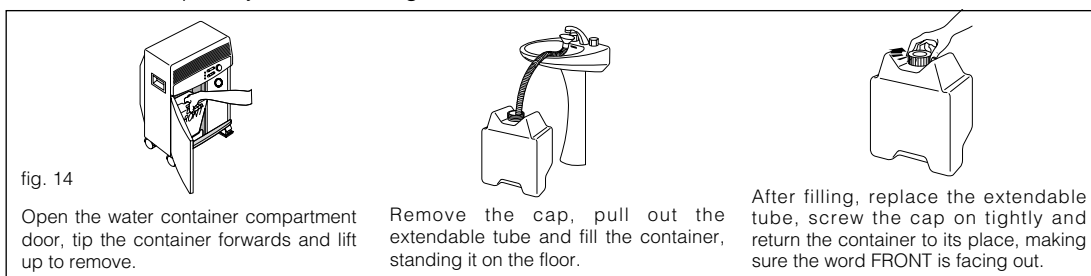
## SPECIAL NOTE

**This machine is designed to be used with or without water. Maximum performance is obtained using water. When used without water, Pinguino will maintain a full 88% of its cooling capacity.**

## HOW TO PREPARE WATER CONTAINER

Use only clean, salt-free tap water. The water is essential for the air cooling operation and is discharged in the form of steam through the exhaust outlet. A container full of water lasts for a period that depends on a number of conditions such as temperature, humidity, insulation, exposure of the room, number of people present, etc. On average it will last approximately 7 to 10 hours.

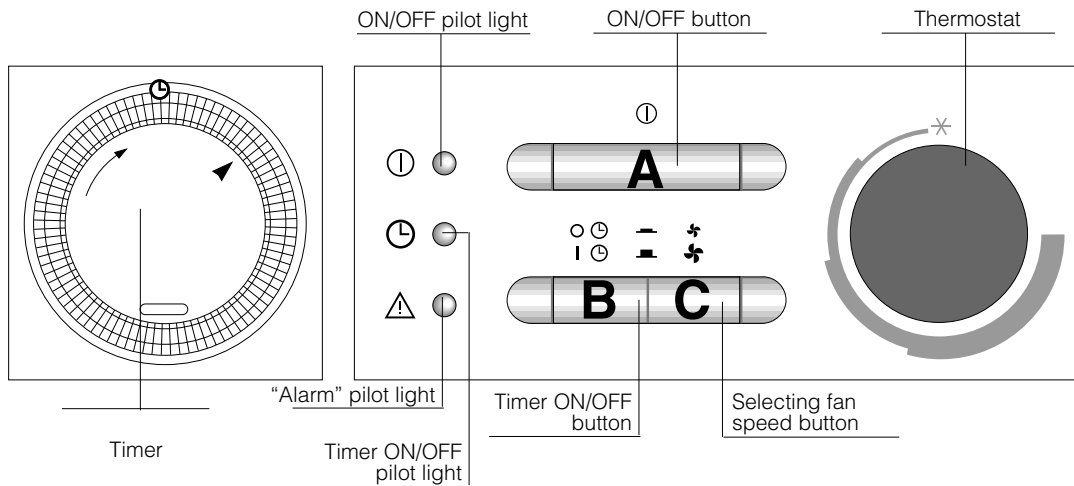
When the container is empty, the appliance automatically changes function from water to air. At the same time, the quantity of air discharged from the rear hose will increase.



During "water condensation" cooling function and in particularly quiet surroundings (eg. bedroom), a slight gurgling noise may be heard. This may be regarded as perfectly normal.

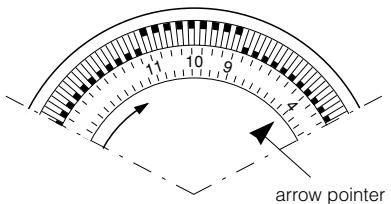
**Warning:** Do not use water containing salt, eg. seawater or water treated using softening systems that utilize kitchen salt.

## DESCRIPTION OF PINGUINO PAC 290U CONTROLS



### SETTING THE TIMER

The programmer/timer, like all clocks, must be set to the exact time. If for example it is 4.00 p.m., turn the dial in a clockwise direction (following the direction of the arrow) until the number 4 is lined up with the arrow pointer (the arrows indicates 4:00 p.m. approximately).



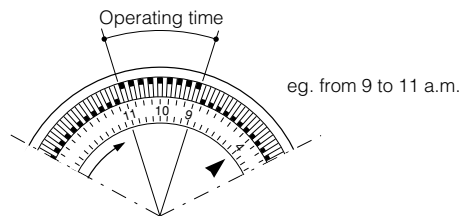
**Note:** Never turn the dial in an anti-clockwise direction!

The timer is in effect, an electric clock and works only if the plug is connected to the power supply. Whenever the plug is disconnected or there is a power failure, the programmer stops (the clock is then "slow") and must be re-set.

The unit can be used in either **programmed** or **non-programmed** mode.

### PROGRAMMED MODE

- 1) Release B timer button.
- 2) Set the operating times by pushing out the notches on the dial corresponding to the period required (each notch represents 15 mins.).
- 3) Check that the timer indicates the correct time (see instructions on setting).



- 4) Select the desired function as shown in the chart overleaf.  
The unit will now switch on and off each day at the selected times.

Note: To override the programmed operating times, simply press the ON/OFF key.

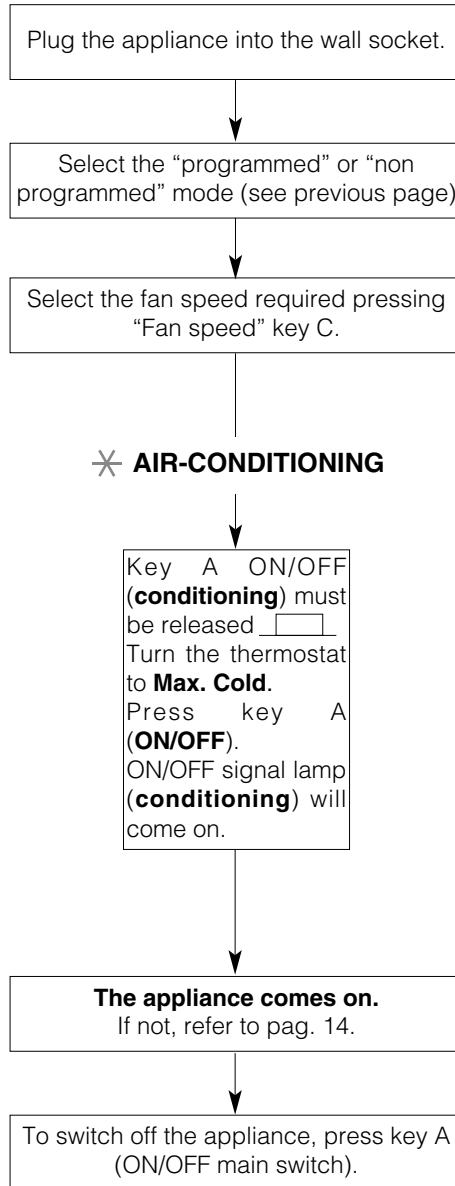
### NON-PROGRAMMED MODE

- 1) B TIMER button must be pressed
- 2) Select the desired function as shown in the chart on the following page.

**N.B:** For technical reasons, the temperature is not expressed in degrees but by a line increasing in thickness. We therefore recommend that when starting up the appliance, the thermostat be turned to maximum (thick green line = maximum cold). When the desired temperature has been reached, turn the thermostat slowly away from the maximum cooling position until the appliance switches off. Leave the thermostat in this position. The air-conditioner is now programmed to maintain the exact temperature at all times.

**After switching the appliance off, wait at least 3 min. before switching on again.**

**HOW TO START UP THE CONDITIONER**  
(see control panel on the previous page)



## MAINTENANCE

### PRECAUTIONS

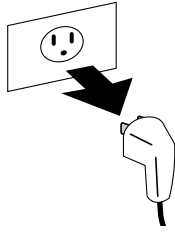


fig. 15

During cleaning and normal maintenance operations remember to disconnect plug.

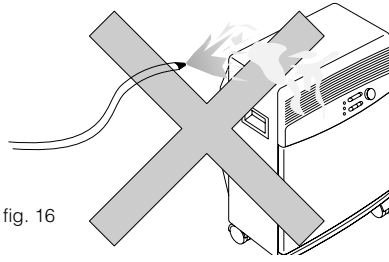


fig. 16

**Under no circumstances should appliance be washed with running water. Damage could be caused to the electrical circuit.**

### CLEANING OF EXTERNAL HOUSING

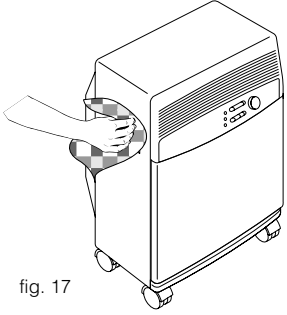


fig. 17

Clean with a damp cloth and dry thoroughly with a clean dry cloth.

Use only mild soap and water.  
Do not use chemical cleaners.

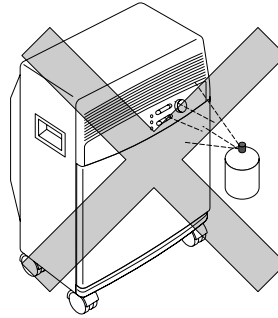
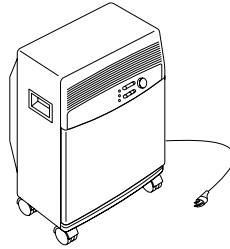


fig. 18

### BEGINNING THE SEASON



Carefully follow installation procedure.



Check for any defects in power cord and plug.

fig. 19

### CLEANING OF COLLECTING TRAY

- 1) Open water container compartment door and remove tank.
- 2) Keep the air-conditioner working until the water level indicator light goes on.
- 3) Switch off the air-conditioner and disconnect electrical

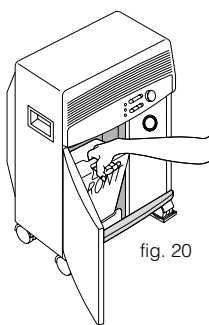


fig. 20

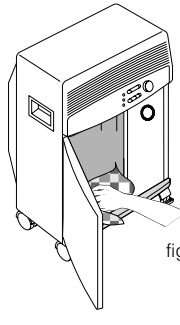


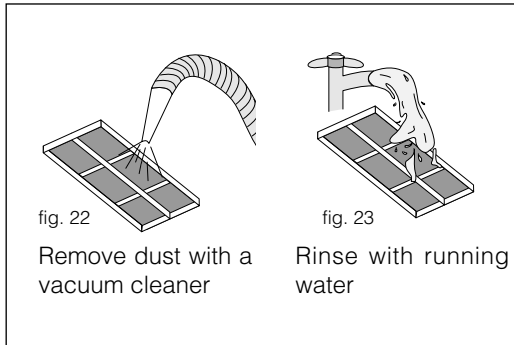
fig. 21

- 4) Remove plug from drainage tube, located at rear of appliance and empty water.
- 5) When draining is finished, **replace plug of drainage tube.**
- 6) Remove sediment from the collecting tray by rubbing with a cloth.

## AIR FILTER CLEANING

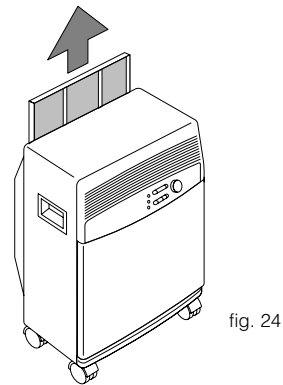
### Maintenance of air filter

A clogged air filter reduces the quantity of circulating air and the efficiency of the appliance. Clean filter every week using a vacuum cleaner.



### Removal and replacement of air filter

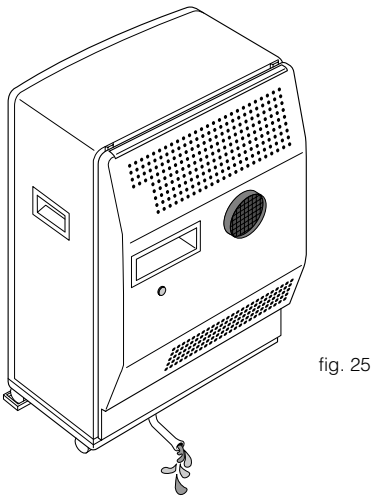
Gently pull filter upwards.  
Push down to replace.



### Cleaning procedure

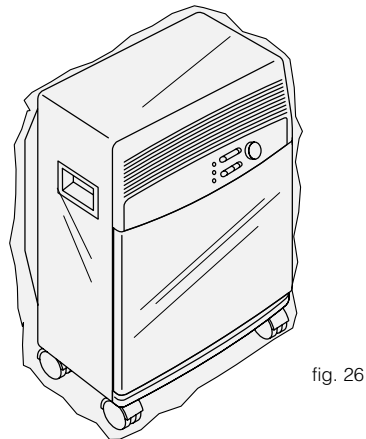
To remove dust deposited on filter, use a vacuum cleaner. If it is very dirty, soak in lukewarm water and rinse thoroughly. The temperature of the water must be kept below 104°F. After washing, leave filter to dry before replacing.

## END OF SEASON OPERATIONS



- 1) Disconnect plug.
- 2) Remove tank and empty it.
- 3) Some water may remain into the tank. To avoid unpleasant odors, pour two spoons of bleach into the tank.
- 4) Drain water from collecting tray.

- 5) Remove exhaust hose.
- 6) Clean filter and dry well before replacing.
- 7) Cover appliance with a polyethylene bag to prevent dust from entering.  
You can use the polyethylene bag included into the packaging.



## PERIODIC MAINTENANCE

Calcium deposits may build up on some working parts of Pinguino during operation. Monthly cleaning (more often in hard water areas) should be done per the following procedure:

- Unplug the machine. Remove the water tank. Run the air-conditioner until water level indicator light turns on.
- Remove drainage tube plug and empty water. Replace drainage tube plug and add one quart of clean water to the collecting tray.
- Empty contents of one 8-ounce bottle of Descaling Fluid into the collecting tray. Plug in the machine and operate until water level indicator light goes on. Turn off and unplug machine.
- Drain the remaining liquid and re-plug the drainage tube.
- Refill the tank with clean water and replace in the machine.
- Plug in and turn on the machine. While the air-conditioner is operating, unplug the drainage tube and drain until the water looks clean. Replace the drainage tube plug.

## TROUBLESHOOTING

<b>SYMPTOMS</b>	<b>CAUSE</b>	<b>SOLUTION</b>
<b>The Pinguino does not function:</b>	<ul style="list-style-type: none"><li>- power failure</li><li>- plug is disconnected</li><li>- ON/OFF switch is off</li><li>- Timer key is in STOP position</li></ul>	<ul style="list-style-type: none"><li>- insert plug</li><li>- switch on</li><li>- release the TIMER key</li></ul>
<b>The Pinguino does not function</b> <b>- function fault warning light is on (pag. 10 - "Alarm" light)</b> <b>After correcting problem, press reset button (see pag. 5)</b>	<ul style="list-style-type: none"><li>- exhaust hose blocked</li><li>- exhaust hose twisted or bent</li><li>- ventilation holes on the rear of the machine or front louvers blocked</li></ul>	<ul style="list-style-type: none"><li>- Check for obstruction of air outlet vent</li><li>- eliminate irregularities</li><li>- remove obstacles to allow proper airflow</li></ul>
<b>The Pinguino produces cold air but room does not maintain comfortable temperature:</b>	<ul style="list-style-type: none"><li>- window open</li><li>- air exhaust hose has become disconnected</li><li>- thermostat set too low</li><li>- air filter blocked</li><li>- water tank empty</li></ul>	<ul style="list-style-type: none"><li>- close window</li><li>- re-insert exhaust hose</li><li>- set thermostat to higher number</li><li>- clean filter</li><li>- refill it</li></ul>

## SERVICING

In case of malfunction turn off and disconnect the Pinguino from power outlet and contact our Service Centre for qualified assistance, toll-free number 1-800-322-3848 or 1 - 877-235-1052 in America or no. (905) 238-1313 for Canada.

**FOR UNITED STATES ONLY:**



**LIMITED WARRANTY**

We warrant each DELONGHI AIR-CONDITIONER to be free from defects in material and workmanship. Our obligation under this warranty is to provide one year parts and labor free from purchase date, with an additional four (4) years on any part of the sealed system consisting of the compressor, evaporator, condenser and factory connected refrigerant tubing. This warranty shall apply only if the AIR-CONDITIONER is used in accordance with the factory directions which accompany it, and on Alternating Current (AC) circuit. This warranty is in lieu of all other warranties and representations, expressed or implied, and all other obligations or liabilities on our part. We do not authorize any other person or company to assume for us any liability in connection with the sale or use of our AIR-CONDITIONER. This warranty shall not apply to assume for us any liability in connection with the sale or use of our AIR-CONDITIONER. This warranty shall not apply to any AIR-CONDITIONER which shall have been repaired or altered outside our factory nor shall it apply to any AIR-CONDITIONER which has been subjected to misuse, negligence or accidents. If repairs become necessary or spare parts are needed, please write to:

**DELONGHI America Inc.**  
Park 80 West Plaza One, 4th floor  
Saddle Brook NJ 07663  
or call Service Tel. No 1-800-322-3848