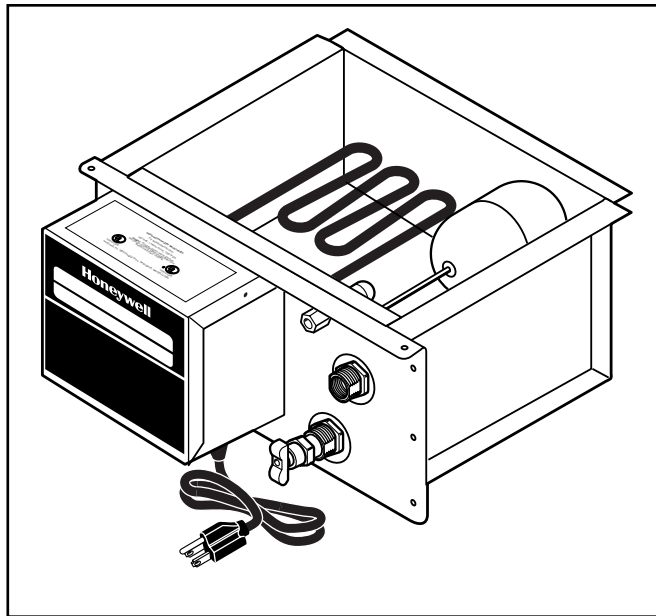


HE460A,B Steam Power Humidifier

SPECIFICATION DATA



FEATURES/BENEFITS

- Humidifies air without a call for heat so relative humidity fluctuates less, optimizing comfort.
- Ideal for homes with extensive woodwork, hardwood floors, antiques, oil paintings, leather furniture, pianos, and fine collectables.
- Capable of humidifying a large area up to 4,045 sq ft (376 sq m).
- Compact size allows easy installation.
- Minimal amount of water needed for energy-efficient operation.
- Low water cut-off switch and built-in overflow protection are integral safety features.
- Automatic Flushing Timer reduces the frequency of maintenance.
- Includes easy-to-use humidistat that mounts on the duct or wall for more installation flexibility.
- Perfect Climate Comfort Center™ control can be installed to replace both the thermostat and humidistat for improved aesthetics and convenience.

APPLICATION

The HE460A,B Steam Power Humidifier uses a thermal fan interlock control to provide humidification for the whole house. The steam power humidifier is designed to work with high efficiency furnaces and heat pumps. The HE460 works with virtually any Honeywell humidity control, but the Honeywell Perfect Climate Comfort Center™ Control allows optimal performance.

SPECIFICATIONS

Capacity:

17 gallons per day (gpd) 64 liters per day (lpd).

Humidified Area:

House Description	Air Changes Per Hour	Area (Up To)	
		sq ft	sq m
Loose	Two	1,845	171
Average	One	2,575	239
Tight	One-half	4,045	376

Internal Heating Source:

Incoloy® sheathed element.
240 Vac, 2.0 kW, 8.3A.

Duct Opening (Height x Width):

8 in. x 10 1/2 in. (203 mm x 267 mm).

Dimensions:

Refer to Fig. 1.



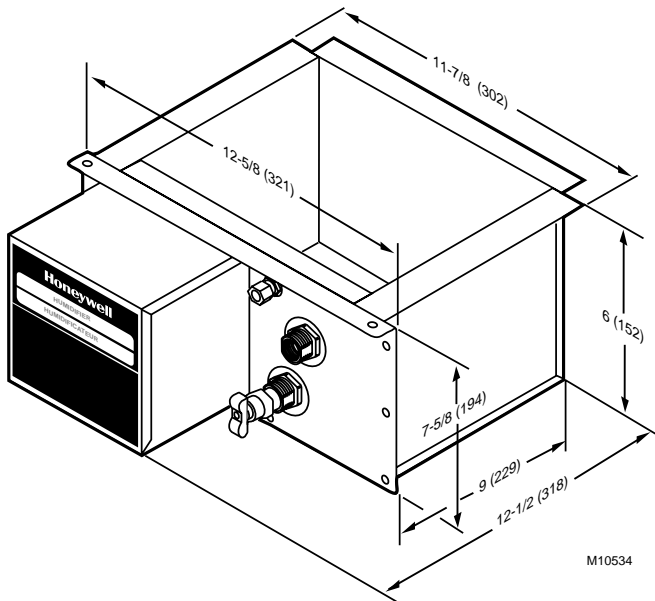


Fig. 1. Dimensions of HE460 in in. (mm).

Approvals:

Underwriters Laboratories, Inc. Listing: 42U8.
Canadian Underwriters Laboratories Listing: 42U8.

Testing Standard:

Air-Conditioning and Refrigeration Institute: Standard 610.

Models:

HE460A TRADELINE® Steam Power Humidifier package includes mounting template and hardware, HC40 Automatic Flushing Timer with chlorine removal filter and H908 Convertible Humidity Control.

HE460B TRADELINE® Steam Power Humidifier package includes mounting template and hardware, HC40 Automatic Flushing Timer with chlorine removal filter and H1008 Automatic Humidity Control with HumidiCalc+™ Software.

Accessories:

PC8900 Perfect Climate Comfort Center™ Control.

INSTALLATION

Refer to Fig. 2 for a typical installation.

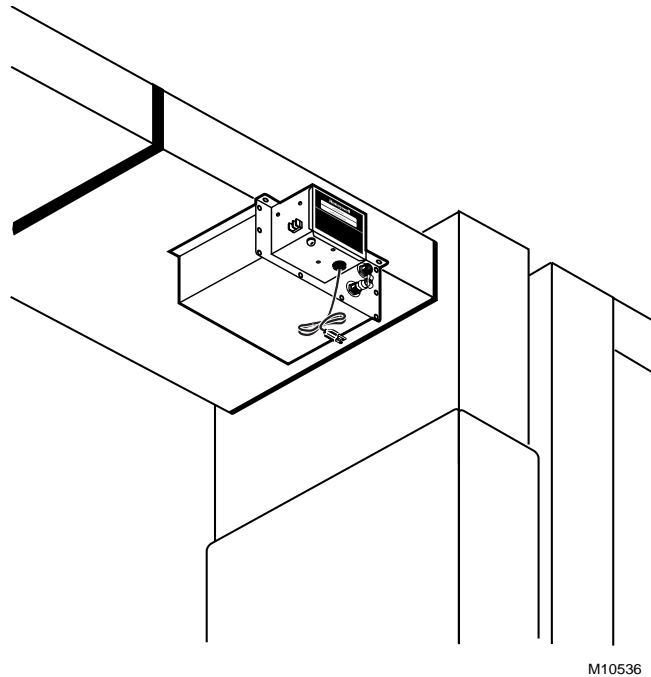


Fig. 2. Typical installation of HE460 Humidifier.

Home and Building Control

Honeywell Inc.
Honeywell Plaza
P.O. Box 524
Minneapolis MN 55408-0524

Home and Building Control

Honeywell Limited-Honeywell Limitée
155 Gordon Baker Road
North York, Ontario
M2H 3N7

Honeywell Asia Pacific Inc.

Room 3213-3225
Sun Hung Kai Centre
No. 30 Harbour Road
Wanchai
Hong Kong

Honeywell Latin American Division

Miami Lakes Headquarters
14505 Commerce Way Suite 500
Miami Lakes FL 33016

Honeywell Europe S.A.

3 Avenue du Bourget
1140 Brussels
Belgium

Honeywell

