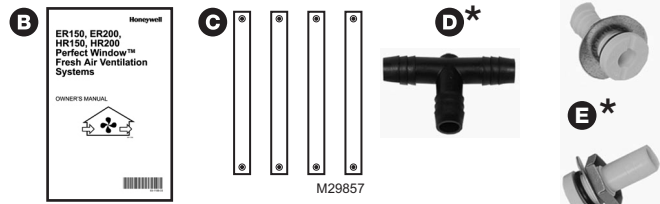


HR150, 200; ER150, 200 Perfect Window™ Fresh Air Ventilation Systems

PRODUCT DATA

INCLUDED IN THIS VENTILATION SYSTEM BOX



Tools and accessories needed to install Perfect Window™ Fresh Air Ventilation Systems

- ▶ Wire cutter/stripper
- ▶ 18-gauge wire (up to 5 conductor)
- ▶ Standard screwdriver
- ▶ Insulated 6-inch round duct
- ▶ Non-insulated 6-inch round duct
- ▶ Two 6-inch weather hoods
- ▶ Two 6-inch starter collars
- ▶ 1/2-inch I.D. drain hose
- ▶ Airflow balancing kit
- ▶ Foil tape

- A** HR150/200 or ER150/200 Perfect Window™ Fresh Air Ventilation System
- B** Owner's Manual
- C** Hanging straps
- D** * T-fitting
- E** * 2 drain spouts
- F₁** VisionPRO IAQ control
- F₂** TruelAQ
- F₃** Dehumidistat H8908
- F₄** Digital fan timer
- F₅** W8150 ventilation control

* Not with "C" models.

GETTING
STARTED

MOUNTING

PLUMBING

WIRING

DUCTING

APPENDICES



Perfect Window Fresh Air Ventilation Systems

GETTING STARTED

Safety Definitions and Precautions	2
Application	3
Features	3
Planning the Installation	4
Sizing	5
Mounting Position and Location.	6
Balancing Airflow.	9

MOUNTING

Installation	10
Suspended from Floor Joists.	10

PLUMBING

Installing Drain Line and P-Trap	11
--	----

WIRING

Heat Recovery Ventilator (HRV) and Energy Recovery Ventilator (ERV) Connections . . .	12
Digital Fan Timer	12

DUCTING

Airflow Balancing.	16
Balancing Procedure	16

APPENDICES

Startup and Checkout	17
Cleaning Filters and Core.	17
Inspecting Exterior Hoods	17
Troubleshooting	18
Parts List	20
Specifications	22



NEED HELP? For assistance with this product please visit <http://yourhome.honeywell.com> or call Honeywell Customer Care toll-free at 1-800-468-1502.

Read and save these instructions.

© U.S. Registered Trademark. Patents pending. Copyright © 2010 Honeywell International Inc. All rights reserved.

Safety Definitions and Precautions

Safety Definitions

These safety terms identify information you must read.

⚠ CAUTION: Indicates a hazardous situation which, if not avoided, could cause bodily injury or property damage.

⚠ WARNING: Indicates a hazardous situation which, if not avoided, could result in death or serious injury.

Safety Precautions

Make sure you read and understand the following safety and/or property hazards before installing, using, or working with the Perfect Window™ Fresh Air Ventilation System:

- All ducting to the outdoors must be terminated above anticipated snow lines and be fitted with a weather cap that incorporates bird screening.

⚠ CAUTION: Electrical shock hazard.
Can cause personal injury or equipment damage.
Disconnect power supply to prevent electrical shock or equipment damage.

⚠ CAUTION: Electrical Shock Hazard.
Can cause personal injury.
Be sure ventilator is correctly grounded. Confirm polarity of power line switched with safety (disconnect) switch when cleaning or servicing unit.

⚠ CAUTION: Electrical Hazard.
Can cause equipment damage
Disconnect HRV/ERV from power source before connecting or disconnecting digital fan timer or other device to HRV/ERV high-speed override terminals.

Application

The HR150B and HR200B Perfect Window™ Fresh Air Ventilation Systems provide proper levels of ventilation with energy savings by transferring heat between the exhaust and fresh air streams.

The ER150B and ER200B Perfect Window™ Fresh Air Ventilation Systems provide proper levels of ventilation with energy savings by transferring heat and moisture between the exhaust and fresh air streams.

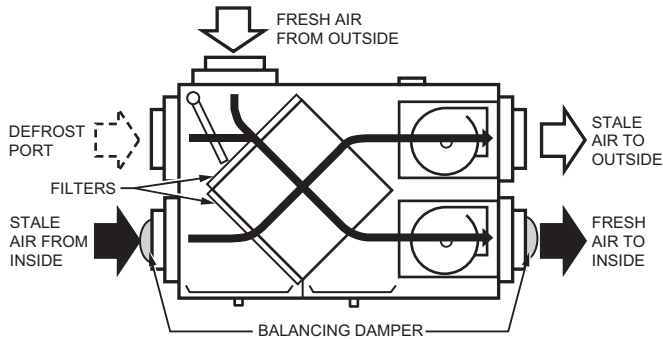
The ER150C and ER200C Perfect Window™ Fresh Air Ventilation Systems are specifically designed for installations in unconditioned spaces such as attics and garages in regions where the outdoor temperature does not drop below freezing.

Features

- Remotely control two-speed fan.
- Integral balancing dampers for quick installation.
- Provides ventilation that helps contractors meet ASHRAE 62.
- Automatic, economical built-in frost control available for operation to design temperatures of -40°F (-40°C).
- HR150 and HR200 models have an easy-to-clean aluminum cross-flow core.
- ER150 and ER200 models have an advanced energy heat and moisture recovery fixed core.
- Washable energy transfer core.
- Includes vibration isolation hardware and duct collars.
- Insulated cabinet made of rugged steel.
- Permanent (washable) prefilters.
- Quiet operation.
- Digital fan timer option on all models.
- Advanced ventilation algorithms available on VisionPRO IAQ, TrueIAQ and W8150 controls.
- Interlock the ERV/HRV to an air handler or furnace blower.
- Dehumidistat operation deactivated in summer.

Planning the Installation

Failure to comply with these requirements will result in voided warranty, improper installation, and service callbacks.



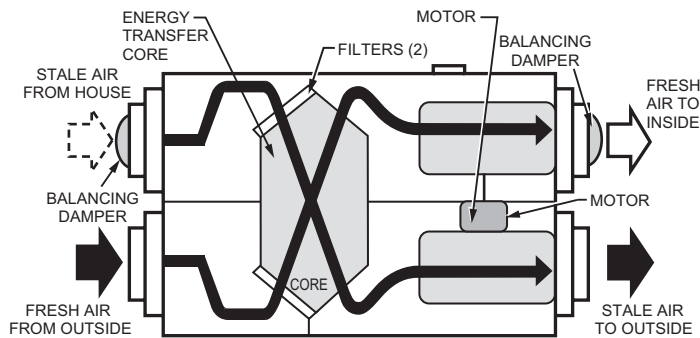
M29739

Fig. 1. Duct connections and airflow (HR150B/HR200B).

The Fresh Air Ventilation System is designed to supply fresh air and exhaust stale air. The system draws fresh outdoor air through the ventilator for distribution throughout the house.

Heat Recovery Ventilator

Stale air is exhausted through the ventilator and to the outdoors. Heat is transferred from one airstream to the other as the air passes through the opposite sides of the heat transfer core. See Fig. 1.

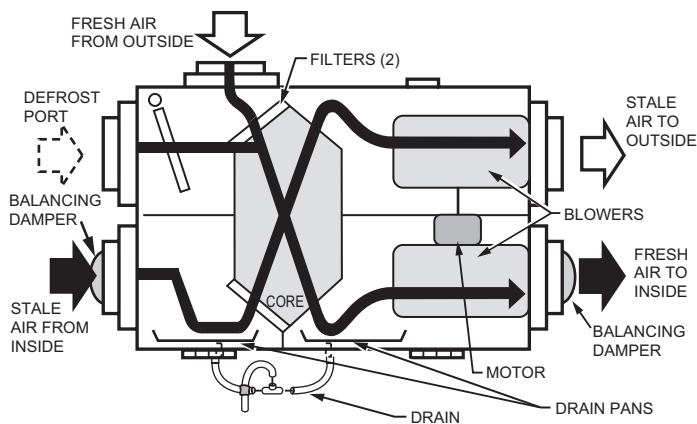


M29861

Fig. 2. Duct connections and airflow (ER150C/ER200C).

Energy Recovery Ventilator

Stale air is exhausted through the ventilator and to the outdoors. Heat and moisture is transferred from one airstream to the other as the air passes through the opposite sides of the energy transfer core. See Fig. 2 and 3.



M29853

Fig. 3. Duct connections and airflow (ER150B/ER200B).

Sizing

ASHRAE 62.2

There are several methods that can provide satisfactory results for sizing a ventilator to provide adequate ventilation for a home. There is a new residential ventilation standard, ASHRAE 62.2, that suggests the following:

- 7.5 CFM per person (count people as 1 per bedroom plus 1) plus 1 CFM per 100 sq. ft.

Example:

$$\begin{aligned} &2200 \text{ sq. ft. house with 4 bedrooms} \\ &= (7.5 \text{ CFM} \times (4 \text{ bedrooms} + 1)) + (1 \text{ CFM} \times (2200 \text{ sq. ft.} / 100)) \\ &= (7.5 \times 5) + (2200 / 100) \\ &= 37.5 + 22 \\ &= 59.5 \text{ CFM} \end{aligned}$$

In this case 60 CFM continuous would provide satisfactory ventilation for this home.

ASHRAE 62.1

Some regions still use the previous standard, ASHRAE 62.1, as the code for ventilation in their region. The ASHRAE Standard 62.1 Ventilation for Acceptable Indoor Air Quality suggests the following:

- .35 air changes per hour (ach) but not less than 15 cfm per person for living areas = house size (sq ft) x ceiling height (ft) / 60 (min) x .35 (ach)

Example:

$$= 2000 \text{ sq ft} \times 8 \text{ ft} / 60 \text{ min} \times .35 \text{ ach} = 93 \text{ cfm}$$

- 50 cfm intermittent or 20 cfm continuous capacity for bathrooms

Example:

$$50 \text{ cfm intermittent} \times 3 \text{ bathrooms} = 150 \text{ cfm}$$

$$20 \text{ cfm continuous} \times 3 \text{ bathrooms} = 60 \text{ cfm}$$

- 100 cfm intermittent or 25 cfm continuous capacity for kitchens

Example:

$$100 \text{ cfm intermittent} \times 1 \text{ kitchen} = 100 \text{ cfm}$$

$$25 \text{ cfm continuous} \times 1 \text{ kitchen} = 25 \text{ cfm}$$

Option 1: Fresh Air Ventilation System provides continuous fresh air supply of 93 cfm, and intermittent capacity for bathrooms of 150 cfm. A separate 100 cfm exhaust fan is used for the range hood.

$$\text{Supply air flow required} = 93 \text{ cfm}$$

$$\text{Exhaust air flow required} = 150 \text{ cfm}$$

Any Honeywell ventilation unit provides suitable ventilation capacity. See Fig. 22.

Option 2: Fresh Air Ventilation System provides continuous 93 cfm fresh air supply, 150 cfm intermittent exhaust capacity for bathrooms and continuous 50 cfm kitchen ventilation.

$$\text{Supply air flow required} = 93 \text{ cfm}$$

$$\text{Exhaust air flow required} = 200 \text{ cfm}$$

Honeywell HR200/ER200 have the exhaust capacity required to meet the ventilation needs of this application. See Fig. 22.

Mounting Position and Location

The HR150/ER150 and HR200/ER200 can be suspended from exposed ceiling joists, ceiling surface or floor mounted. (Level ventilator so drains function correctly.)

NOTE: ER150C and ER200C are specifically designed for installations in unconditioned spaces such as attics and garages in regions where the outdoor temperature does not drop below freezing. (These units are not equipped with drain kits.)

- Locate fresh air intake 6 ft (2m) or more from stale air exhaust to prevent exhaust air from re-entering.
- Locate ventilator where length of ducting required is minimal.

Install HR150/ER150 and HR200/ER200 in a conditioned space using these guidelines:

- Pipe drain line (ER150C and ER200C do not have drain kits) from the ventilator to a drain.
- Use an existing electrical outlet with appropriate current rating (or install one) close to ventilator power cord.
- Allow space for drain line by placing the ventilator at least 10 in. (254 mm) off the floor.
- For access and removal of ventilator core, allow at least 25 in. (635 mm) of open space in front of unit.

Ducting

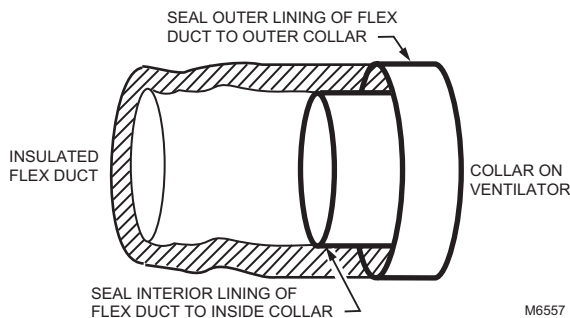


Fig. 4. Sealing insulated duct terminations.

Ducting between the ventilator and the outdoors must be insulated and have a continuous air vapor barrier. See Fig. 4.

IMPORTANT

All ducting to the outdoors must be terminated above anticipated snow lines and be fitted with a weather cap that incorporates bird screening.

Design and installation of ductwork must be according to standard HVAC practice to deliver required quantities of fresh air to temperature-controlled space and exhaust equivalent quantities of room air to the outside.

Keep intake and exhaust duct runs as short as possible with few bends or elbows.

- Keep duct sizes as large as possible throughout the installation.
- Use a 6 in. diameter round duct for all connections to and from the ventilator.
- Separate outside intake and exhaust vents by at least 6 ft (2m).

NOTES: Do not locate the fresh air vent where it blows directly onto occupants or the thermostat.

Do not locate the fresh air intake close to known sources of pollutants such as automobile exhaust, a dryer vent or chimney smoke.

- Ducting the supply outlet and/or the exhaust inlet of the ventilator to the return air plenum of the air handler is an excellent way to distribute fresh air and exhaust stale air from all parts of the house, while reducing installation costs. When choosing this method, balance the ventilator when the air handler is running and interlock the ventilator so that it can run only when the air handler runs. See Fig. 6. An alternate method is to balance the ventilator when the air handler is not running and let the ventilator run whether the air handler is running or not, see Fig. 5. An independent installation is shown in Fig. 7.

NOTE: When the home is occupied, continuous operation of the ventilator is recommended. When the furnace air handler operates, fresh air is distributed through the heating/air conditioning supply registers. When the air handler is off, fresh air is delivered through both supplies and returns.

- An electrical interlock or an automatically powered damper must be used to prevent unwanted entry of outside air if the ventilator is turned off while the furnace air handler continues to operate.

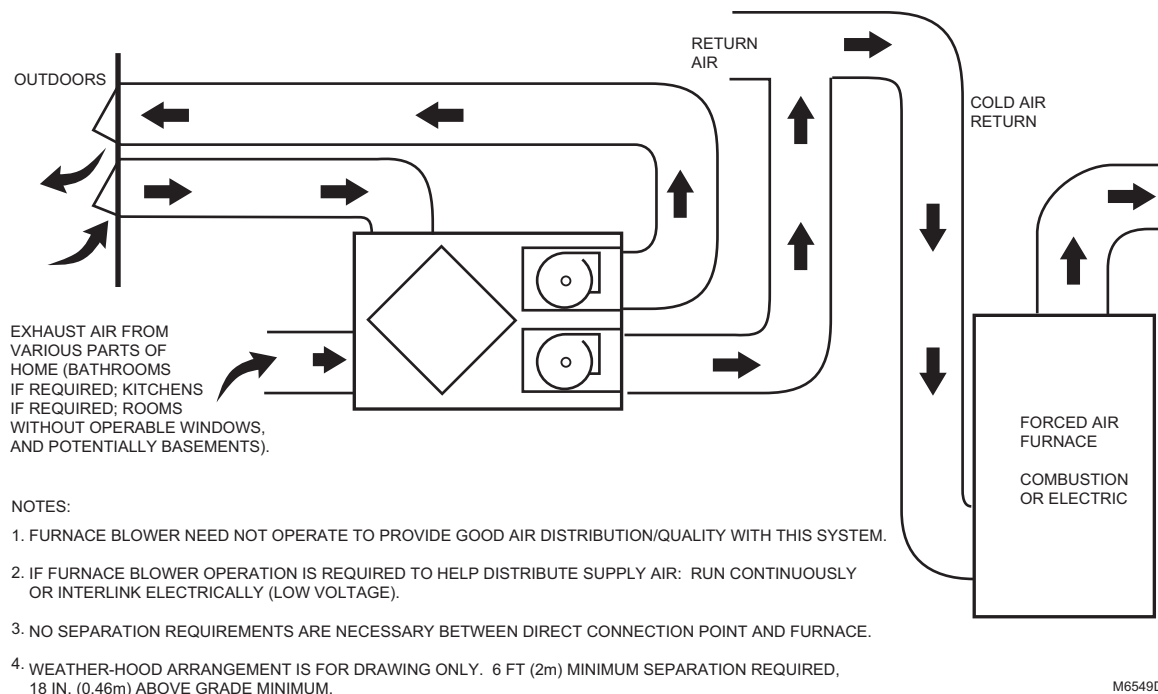


Fig. 5. Direct connection of supply air stream to furnace cold air return for HRV/ERV.

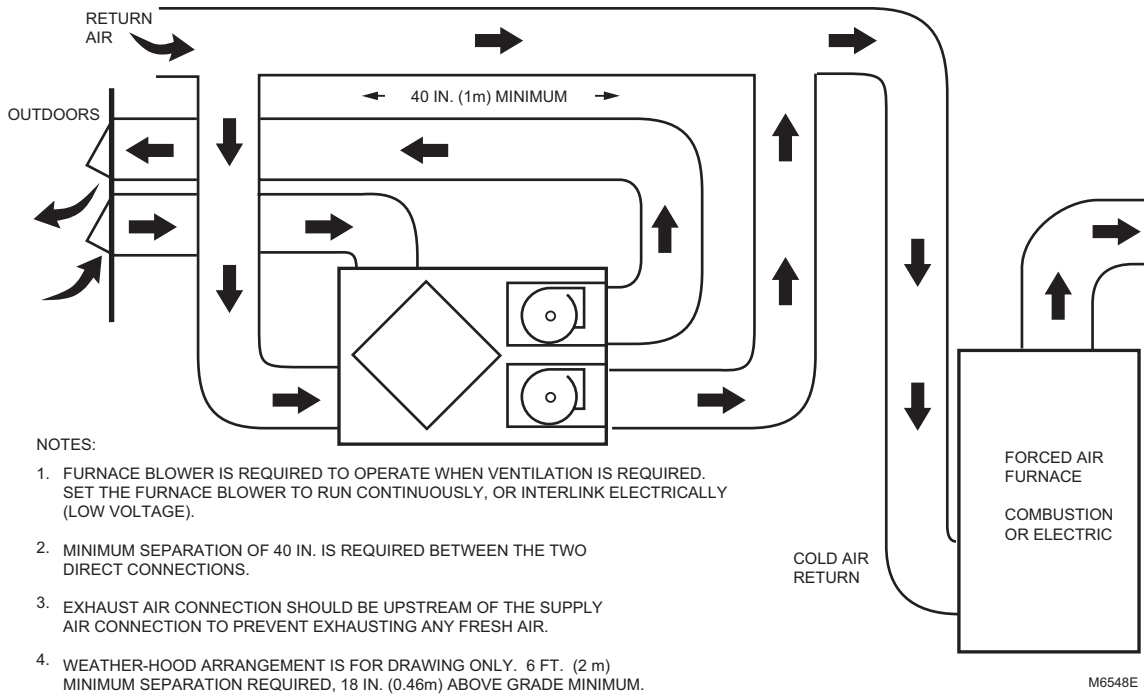


Fig. 6. Direct connection of ventilator supply air stream and exhaust air stream to furnace cold air return.

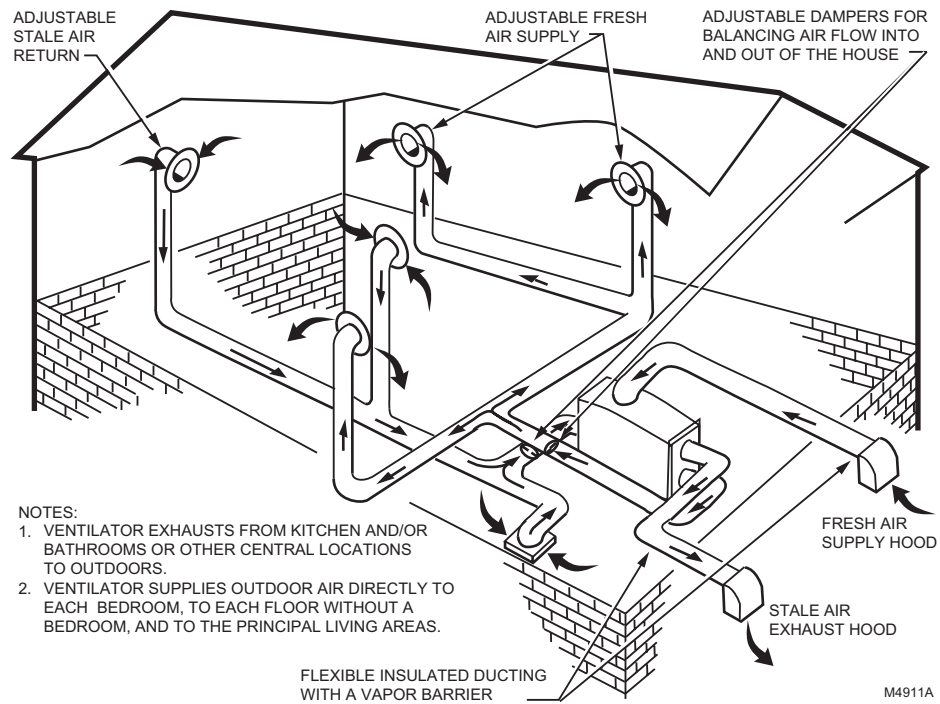


Fig. 7. Independent ventilator installation.

Balancing Airflow

Balancing the airflow verifies that the Fresh Air Ventilation System is delivering the intended airflow and energy performance. Use the Airflow Balancing instructions in the Installation section to check and balance the airflow.

Controls

Remote Override Switch Functions On/Off Control

If continuous ventilation is not required, an on/off control can be used to activate the ventilator when it is switched to Standby. Controls that can be used for this function include dehumidistats, timers, wall switches and the ventilate function of the VisionPRO IAQ and TrueIAQ digital controls.

Dehumidistat

If moisture control in bathrooms is a primary function of the system, a dehumidistat can be used to switch the ventilator from a Low or Standby setting to the High setting. Moisture removal throughout the entire home can only be achieved when the outside air contains less moisture than the inside air (typically during cold weather conditions).

An HRV will override a call from the dehumidistat if the outdoor temperatures exceed 60°F (15.6°C) for a 24-hour period. The dehumidistat function will be re-enabled if the unit is unplugged for 3 minutes or if the outdoor temperature drops below 60°F (15.6°C) for a 24-hour period. The dehumidistat function is permanently enabled in ERVs.

IAQ Controls

The VisionPRO IAQ and TrueIAQ controls can automatically control the ventilator by pressing the Ventilator button on the control. See the control owner's guide for complete instructions.

Digital Fan Timer

The ventilator controls are compatible with the Digital Fan Timer. If more than one timer is activated, each runs independently with the ventilator running at high speed until all timers have timed out. Up to eight timers can be installed in a system.

Moisture Control

When a building is new, there is excess moisture in the wood, plaster, cement and other construction materials. When the new building is occupied, the activities of the occupants also increase the moisture level. There can also be high levels of formaldehyde and other chemicals that were used in the building materials. Running the ventilation system on high speed provides optimum indoor air pollutant reduction. High speed also provides maximum moisture removal when the outside air contains less moisture than the inside air. (Typically during cold weather conditions.)

Operating Damper Frost Control

Some models have an electronically-controlled damper frost control mechanism to prevent frost buildup on the core. Defrost timing will change based on incoming outdoor air temperature.

Outdoor Temperature	Defrost Timer*
27 °F (-3 °C)	3 minute defrost/25 minute run
-4 °F (-20 °C)	4.5 minute defrost/17 minute run
-31 °F (-35 °C)	7 minute defrost/15 minute run

* The R2000 jumper on the control board can be removed to meet R2000 program requirements.

Example:

When the outside temperature drops below 27 °F (-3 °C), the defrost timer is activated. At the end of the 25 minute run cycle, when the core can experience some nominal frost buildup, the timer activates a motor-driven damper door that simultaneously opens the defrost port and closes off the supply air port.

INSTALLATION

When Installing this Product...

1. Read these instructions carefully. Failure to follow these instructions could damage the product or cause a hazardous condition.
2. Check the ratings on the product to make sure the product is suitable for your application.
3. Installer must be a trained, experienced service technician.
4. After installation is complete, check out product operation as provided in these instructions.

CAUTION: Electrical Shock Hazard.

Can cause personal injury or equipment damage.

Disconnect power supply to prevent electrical shock or equipment damage.

Unpacking Fresh Air Ventilation System

Check that all the components are included. The Fresh Air Ventilation System is shipped assembled. The carton contains the following:

- Fresh Air Ventilation System.
- Vibration isolation straps (4).
- Drain fittings (2) and T fitting (1).
- Literature package.

Except for the mounting hardware and drain fittings, the ventilator is ready for installation. Wiring, drain connections and ducting are required to complete the installation.

Mounting

Suspended from Floor Joists

1. Mount the four vibration isolation straps (provided) to the side of the ventilator using the mounting screws located on the cabinet. See Fig. 23.
2. Securely fasten the other ends of the straps to the floor joists with wide-head nails (not supplied), making sure the unit is level. The straps are designed to reduce noise, resonance or harmonics; therefore, using the full length of the strap between the ventilator and the floor joists is recommended.

NOTE: Removing door and core reduces the weight of the ventilator, making it easier to lift into place.

Installing Drain Line and P-Trap

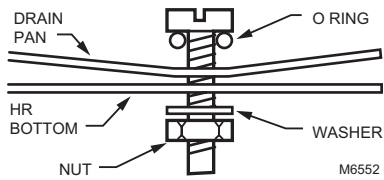


Fig. 8. Installing drain line.

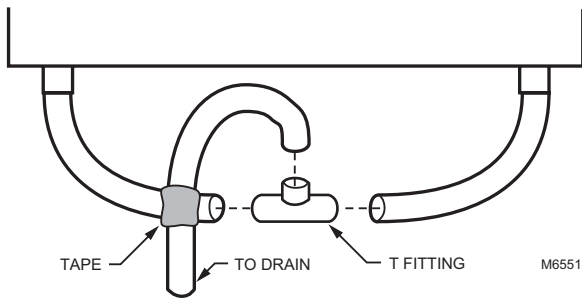


Fig. 9. Installing P-trap.

There are two holes at the bottom of the ventilator for the drain pan connectors.

1. Insert the connectors through the hole in the drain pan and the bottom of the unit.
2. Place the washer and nut on the connector.
3. Hand tighten the nut. See Fig. 8.

Construct a P-trap using the plastic T-fitting provided.

1. Cut two lengths of 1/2 in. ID hose and connect each drain fitting to the end of the T-fitting.
2. Position the center leg of the T-fitting so it points upward.
3. Connect the drain line to the center leg and tape it in place to prevent any kinks. See Fig. 9.

This creates a trap that will hold some condensation and prevent odors from being drawn up through the drain hose into the unit. If the unit is installed during a season when it is unlikely that condensation will form, fill the trap with tap water.

WIRING

⚠ CAUTION: Electrical shock hazard.

Can cause personal injury.

Be sure ventilator is correctly grounded. Confirm polarity of power line switched with safety (disconnect) switch when cleaning or servicing unit.

IMPORTANT

The hot line (black) is the correct line to switch. See Fig. 19. To confirm correct polarity, use voltmeter or test lamp to verify there is no power after the switch when the door is open. Check between that point and ground (on cabinet). This process must be used because occasionally some dwellings are incorrectly wired.

⚠ CAUTION: Electrical hazard.

Can cause equipment damage.

Disconnect HRV/ERV from power source before connecting or disconnecting digital fan timer or other device to HRV/ERV high-speed override terminals.

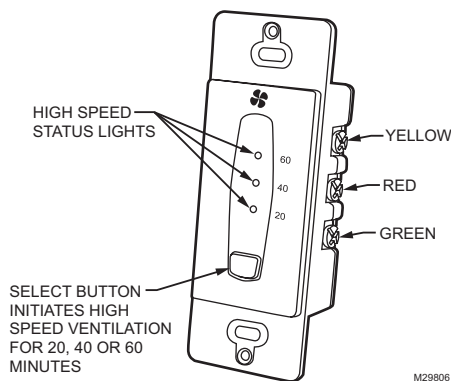
IMPORTANT

Do not connect external power sources to the highspeed override terminals.

Heat Recovery Ventilator (HRV) and Energy Recovery Ventilator (ERV) Connections

The connector is a three-prong, 120 Vac plug with ground. If further wiring is required, Honeywell recommends that a licensed electrician make all electrical connections. It is very important that the unit be correctly grounded.

Digital Fan Timer



Mount digital fan timer in a full or one-half depth electrical box in the living space. See Fig 10.

Press and release the Select Button to activate high speed on the ventilator. Change between 20-, 40-, and 60-minute override times by pressing and releasing the Select Button.

The status light will dim after 10 seconds of run time. The status light will flash during the last 5 minutes of override. All timers connected to the unit will illuminate for the duration of the override.

Set the lockout mode by holding the Select Button for 5 seconds. Unlock by holding for 5 seconds.

Fig. 10. Digital fan timer lights and Select Button.

NOTE: Turn power to ventilator OFF during wiring. A static discharge to the wiring terminals while powered could cause unit to reset or require power cycling.

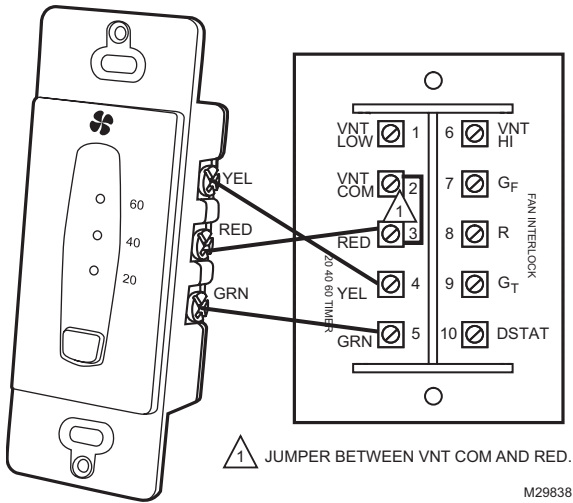


Fig. 11. Wiring digital fan timer.

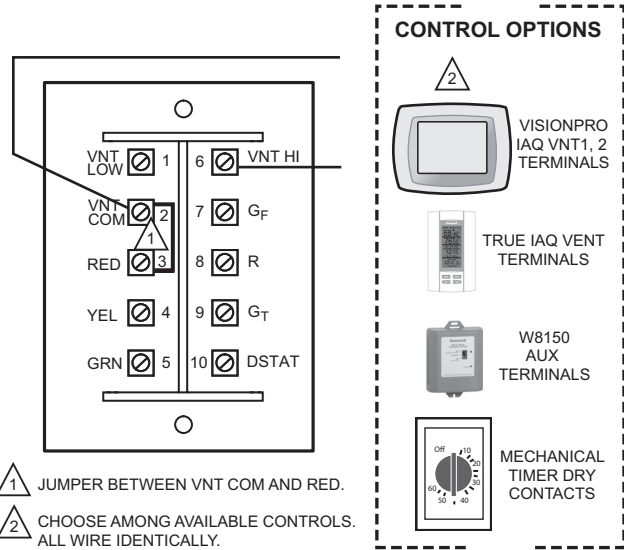


Fig. 12. Wiring IAQ or ventilation control.

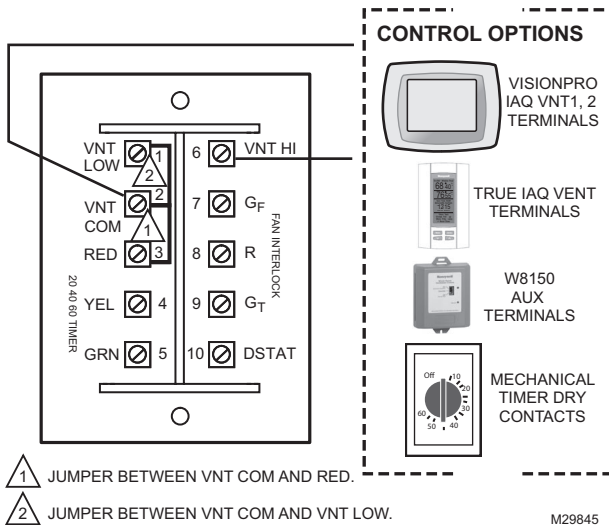


Fig. 13. Wiring for continuous low speed and high speed override.

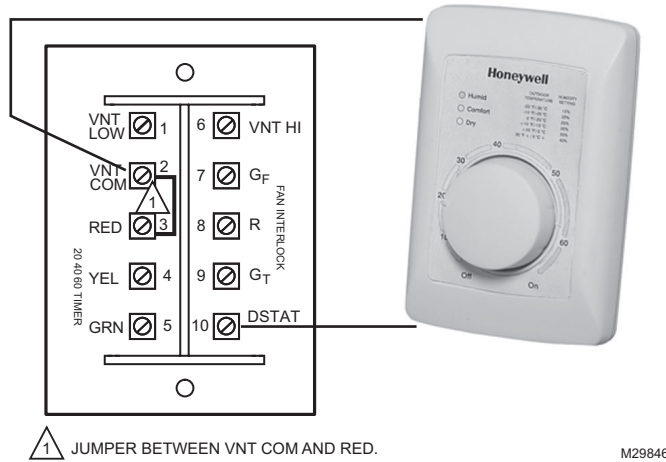


Fig. 14. Wiring dehumidistat.

WIRING

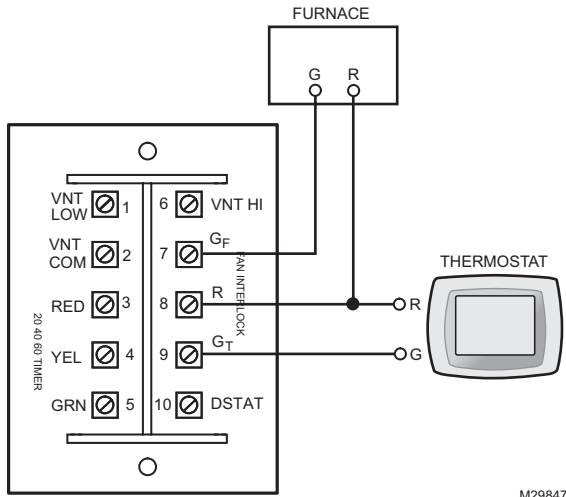
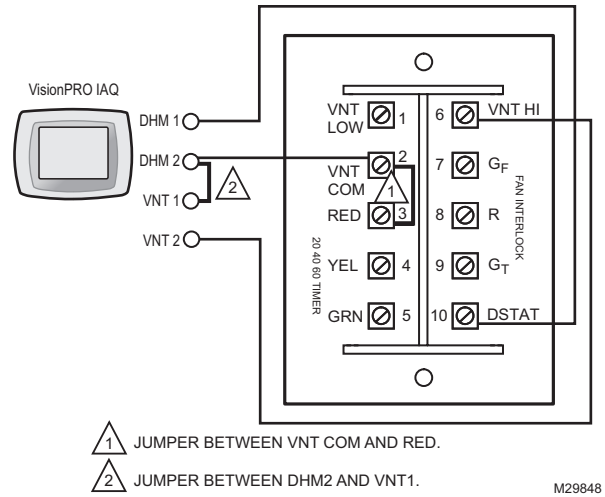


Fig. 15. Wiring for fan interlock.

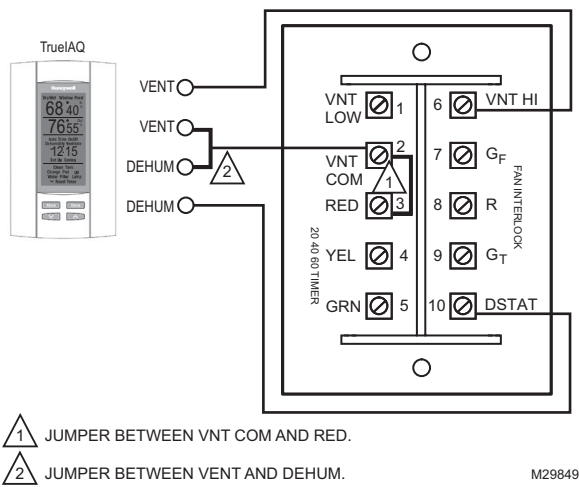
M29847



- 1 JUMPER BETWEEN VNT COM AND RED.
- 2 JUMPER BETWEEN DHM2 AND VNT1.

M29848

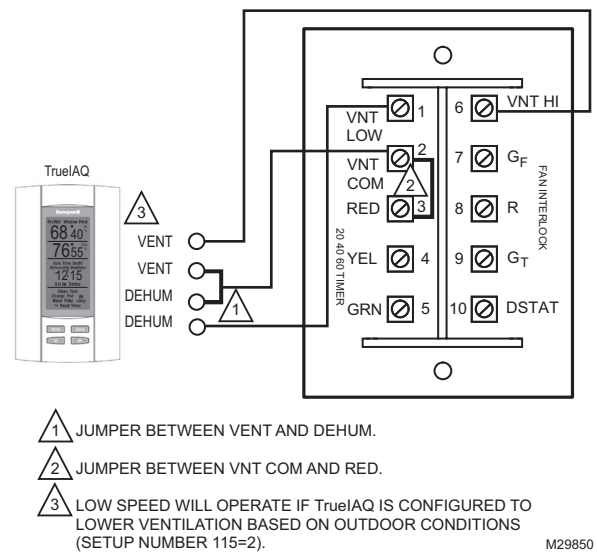
Fig. 16. Wiring VisionPRO IAQ for ventilation and dehumidification.



- 1 JUMPER BETWEEN VNT COM AND RED.
- 2 JUMPER BETWEEN VENT AND DEHUM.

M29849

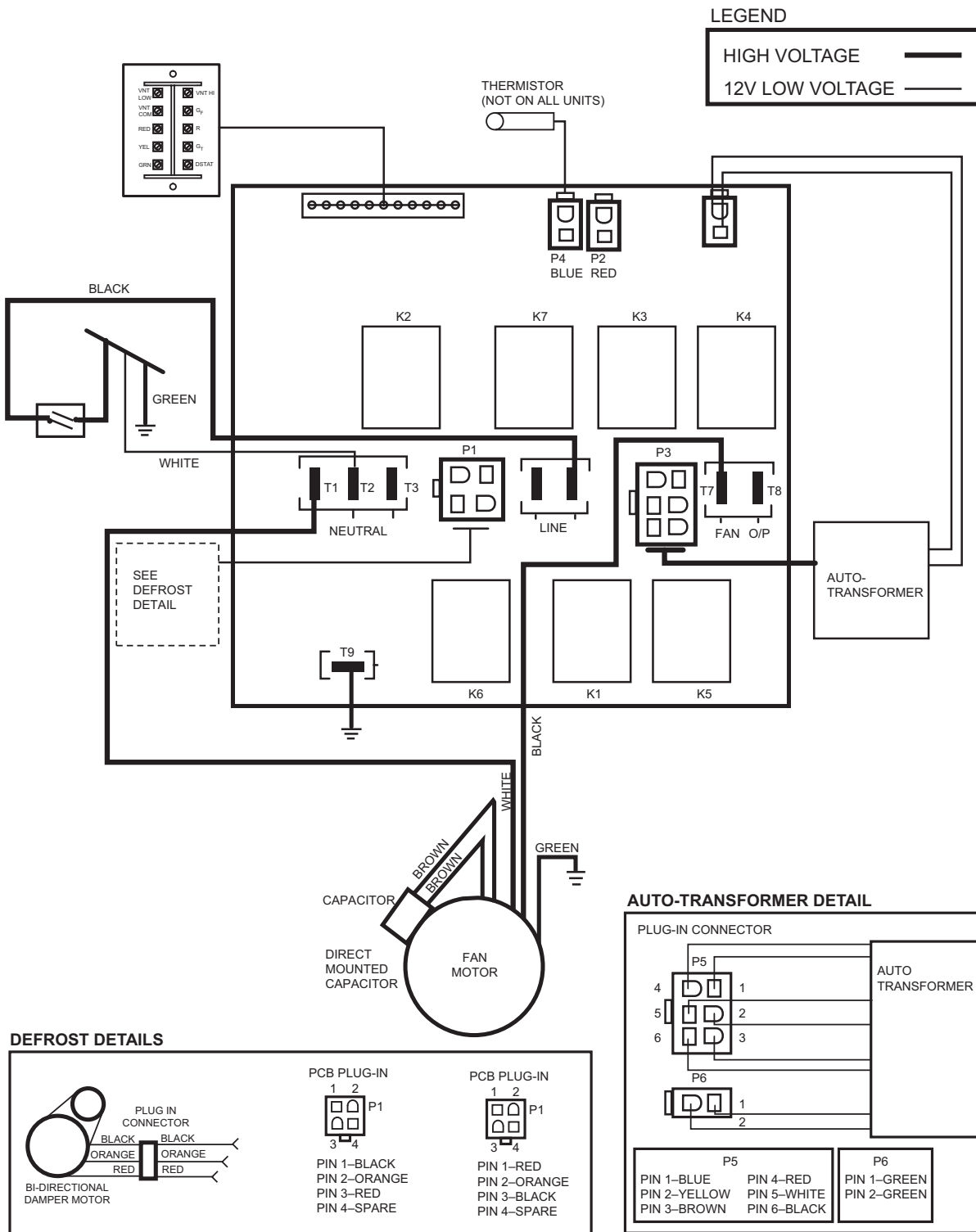
Fig. 17. Wiring TrueIAQ for ventilation and dehumidification.



- 1 JUMPER BETWEEN VENT AND DEHUM.
- 2 JUMPER BETWEEN VNT COM AND RED.
- 3 LOW SPEED WILL OPERATE IF TrueIAQ IS CONFIGURED TO LOWER VENTILATION BASED ON OUTDOOR CONDITIONS (SETUP NUMBER 115=2).

M29850

Fig. 18. Wiring TrueIAQ for high and low speed ventilation.



M29742

Fig. 19. Internal schematic for fresh air ventilation systems.

Airflow Balancing

Volume-balanced airflow in the ventilator is required. Volume of outside air brought in must equal the volume of air the unit exhausts. If airflow is not correctly balanced:

- unit does not operate at its maximum efficiency.
- negative or positive air pressure can occur in the house.
- unit will not defrost properly.
- warranty can be voided.

Excessive positive pressure can drive moist indoor air into building external walls where it can condense (in cold weather) and degrade structural components. Moist indoor air can also cause keyholes to freeze.

Excessive negative pressure can have several undesirable side effects; in some geographic locations, soil gases such as methane and radon can be drawn into the home through basement/ground contact areas. Excessive negative pressure can also cause back drafting of vented combustion equipment when adequate combustion air supply is not provided.

Balancing Procedure

Six-inch (150 mm) diameter flow collars connected to inclined or digital manometer, or magnehelic, with range of 0 to .25 in. (0 to 62.5 Pa) of water are recommended for accurate airflow measurements. To avoid airflow turbulence and incorrect readings, flow stations should be located at a distant point of at least five duct diameters; for example, 6 in. (150 mm) duct requires five diameters x 6 in. (150 mm) = 30 in. (76 cm) from nearest valve or flow restriction. This requirement applies to both stale air to exchanger duct and fresh air to house duct.

Before balancing, make sure:

- all sealing of the ductwork system is completed.
- all of the ventilator system components are in place and functioning properly.
- balancing dampers are fully open.
- unit is on High speed.
- airflows in branch lines to specific areas of house are adjusted before balancing the unit. (A smoke pencil used at the grilles is a good indicator of relative airflow for each branch line.)
- HVAC fan is on for models ducted into HVAC system.

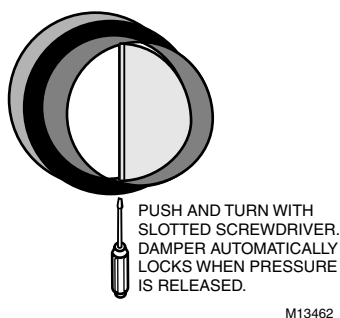


Fig. 20. Balancing airflow.

After taking readings in stale air and fresh air ducts, duct with lower cfm (L/s) velocity reading should remain as is, while duct with higher reading should be dampered back to match lower reading. See Fig. 20.

Return unit to appropriate fan speed for normal operation.

STARTUP AND CHECKOUT

When the ventilator is powered up it will go through a self-test and turn on both fan speeds and check damper operation.

LED on Terminal Board of Ventilator

The terminal board has an LED that flashes to indicate the current mode of the ventilator.

Ventilator Mode	Flashing Sequence	Description
Standby, Ventilating, or Off*	½ sec. on followed by 10 sec. off	This is the normal operation of the ventilator.
Self-Test	2-½ sec. on followed by ½ sec. off	Self-test will turn on both fan speeds and check damper operation.
Defrost	½ sec. on followed by ½ sec. off	See page 9 for defrost operation

* In Off mode the ventilator will not come on. The ventilator is in Off mode when there is no jumper between VNT COM and RED. The jumper can be replaced with an ON/OFF light switch to provide an easy positive off switch.

SERVICE



CAUTION: Electrical shock hazard.
Can cause personal injury or equipment damage.
Disconnect power to unit before starting maintenance.

For maximum efficiency, the Fresh Air Ventilation System must be maintained on a regular basis. Honeywell recommends checking and cleaning at least twice a year, preferably at the beginning of each heating and cooling season.

Cleaning Filters and Core

1. Open ventilator door by loosening draw latches on top of unit and swinging door open. For easier access, remove door by moving it right to disengage hinges.
2. Carefully grip ends of core, (be careful not to damage aluminum fins); then pull evenly outward. Core fits tightly, but slides out of channels.
3. Once core is removed, filters can be removed by removing clips holding them in place. Note clip installation for reassembly.

- 4a. ERV core: Vacuum the ERV core or rinse with cold water. Do not use soap, dishwasher, or a pressure washer.
- 4b. HRV core: Soak and rinse the HRV core in warm soapy water. Do not use cleaning solutions, dishwasher or a pressure washer.
5. Wash the filters in warm soapy water.
6. Place the clean filter (wet or dry) over the core and secure it in place with the clips.
7. Reinstall core by sliding it into the four corner channels. (Water cannot damage gasket and label on core ends, so it is not necessary to remove them from the core.)

Inspecting Exterior Hoods

Inspect exterior hoods at least monthly. Be sure exhaust and fresh air supply hoods are not blocked or restricted by leaves, grass or snow. In winter, be sure snow does not block hoods and frost does not accumulate on wire mesh bird screen.

IMPORTANT

Blocked hoods can cause house/building pressure change that can lead to possible combustion product spillage from heating appliances.

TROUBLESHOOTING

Table 1. Troubleshooting Guide.

Symptom	Cause	Solution
Poor airflow	<ul style="list-style-type: none"> Plugged outside hood 1/4 in. (6 mm) mesh. 	<ul style="list-style-type: none"> Clean exterior hoods or vents
	<ul style="list-style-type: none"> Filters plugged. 	<ul style="list-style-type: none"> Remove and clean filter.
	<ul style="list-style-type: none"> Core obstructed. 	<ul style="list-style-type: none"> Remove and clean core.
	<ul style="list-style-type: none"> House grilles closed or blocked. 	<ul style="list-style-type: none"> Check and open grilles.
	<ul style="list-style-type: none"> Dampers (if installed) are closed. 	<ul style="list-style-type: none"> Open and adjust dampers
	<ul style="list-style-type: none"> Poor power supply at site. 	<ul style="list-style-type: none"> Have electrician check supply voltage at house.
	<ul style="list-style-type: none"> Ductwork is restricting airflow. 	<ul style="list-style-type: none"> Check duct installation.
	<ul style="list-style-type: none"> Improper speed control setting. 	<ul style="list-style-type: none"> Increase speed of ventilator.
	<ul style="list-style-type: none"> Ventilator airflow improperly balanced. 	<ul style="list-style-type: none"> Have contractor balance ventilator airflow.
Supply air feels cold	<ul style="list-style-type: none"> Poor location of supply grilles, airflow can irritate the occupant. 	<ul style="list-style-type: none"> Locate grilles high on walls or under baseboard heaters; install ceiling-mounted diffuser or grilles to avoid blowing directly on occupants (example: over a sofa).
	<ul style="list-style-type: none"> Outdoor temperature extremely cold. 	<ul style="list-style-type: none"> Turn down ventilator supply speed. Use a small duct heater (1 kW) to temper the supply air. Placement of furniture or closed doors is restricting movement of air in the home. If supply air is ducted in furnace return, run furnace fan continuously to distribute ventilation air comfortably.
	<ul style="list-style-type: none"> Ventilator airflow can be incorrectly balanced. 	<ul style="list-style-type: none"> Have a contractor balance ventilator airflow.
Dehumidistat is not operating	<ul style="list-style-type: none"> Incorrect connection to external 24-volt control. 	<ul style="list-style-type: none"> Check that correct wires were used.
	<ul style="list-style-type: none"> Staple/nail is shorting out external low voltage. 	<ul style="list-style-type: none"> Check external wiring for a short.
	<ul style="list-style-type: none"> Check dehumidistat setting; it could be at Off. 	<ul style="list-style-type: none"> Set dehumidistat at the desired setting.
	<ul style="list-style-type: none"> Dehumidistat is disabled when the outdoor temperature is above 60F for 24 hours. 	<ul style="list-style-type: none"> Check the LED on the terminal block for long flash followed by a short flash.

Symptom	Cause	Solution
Humidity levels are too high; condensation appears on windows	Dehumidistat is set too high.	Set dehumidistat lower.
	<ul style="list-style-type: none"> Undersized ventilator to handle hot tub, indoor pool, etc. 	<ul style="list-style-type: none"> Cover pools and hot tubs when not in use.
	<ul style="list-style-type: none"> Lifestyle of occupants. 	<ul style="list-style-type: none"> Avoid hanging clothes to dry, storing wood and venting clothes dryer inside. Consider moving wood outside.
	<ul style="list-style-type: none"> Moisture coming into home from crawl space not vented or heated. 	<ul style="list-style-type: none"> Vent crawl space and place vapor barrier on floor of crawl space.
	<ul style="list-style-type: none"> Moisture is remaining in bathroom and kitchen areas. 	<ul style="list-style-type: none"> Size bathroom ducts to remove moist air as effectively as possible; use bathroom fan to remove additional moisture.
	<ul style="list-style-type: none"> Condensation is forming in spring and fall. 	<ul style="list-style-type: none"> On humid days, as seasons change, condensation appears but air quality remains high with some ventilator use. Use a control that provides ventilation in all seasons.
	<ul style="list-style-type: none"> Ventilator speed is set too low. Ventilator airflow can be incorrectly balanced. 	<ul style="list-style-type: none"> Increase speed of ventilator. Have a contractor balance ventilator airflow.
Humidity levels too low	<ul style="list-style-type: none"> Dehumidistat control set too low. 	<ul style="list-style-type: none"> Set dehumidistat higher.
	<ul style="list-style-type: none"> Blower speed of ventilator is too high. 	<ul style="list-style-type: none"> Decrease ventilator blower speed.
	<ul style="list-style-type: none"> Lifestyle of occupants. 	<ul style="list-style-type: none"> Increase humidity with humidifiers.
	<ul style="list-style-type: none"> Ventilator airflow can be incorrectly balanced. 	<ul style="list-style-type: none"> Have a contractor balance ventilator airflow.
Ventilator and/or ducts have frost buildup	<ul style="list-style-type: none"> Ventilator airflow is incorrectly balanced. 	<ul style="list-style-type: none"> NOTE: Minimal frost build-up is expected on cores before unit initiates defrost cycle functions. Have HVAC contractor balance ventilator.
	<ul style="list-style-type: none"> Malfuction of ventilator defrost system. 	<ul style="list-style-type: none"> Have HVAC contractor check defrost system.
Condensation or ice buildup in insulated duct to outside	<ul style="list-style-type: none"> Incomplete vapor barrier around insulated duct. 	<ul style="list-style-type: none"> Tape and seal all joints. Tape any hole or tears made in outer duct covering.
	<ul style="list-style-type: none"> Hole or tear in outer duct covering. 	<ul style="list-style-type: none"> Ensure vapor barrier is completely sealed.
Water in ventilator bottom	<ul style="list-style-type: none"> Drain pans are plugged. Improper connection of ventilator drain lines. 	<ul style="list-style-type: none"> Ensure O-ring on drain nozzle adjusted correctly. Look for kinks in line.
	<ul style="list-style-type: none"> Ventilator is not level. 	<ul style="list-style-type: none"> Level ventilator.
	<ul style="list-style-type: none"> Drain lines are obstructed. 	<ul style="list-style-type: none"> Check water drain connections.
	<ul style="list-style-type: none"> Ventilator heat exchange not correctly installed. 	<ul style="list-style-type: none"> Make sure water drains correctly from pan.

PARTS LIST

HR/ER Parts List

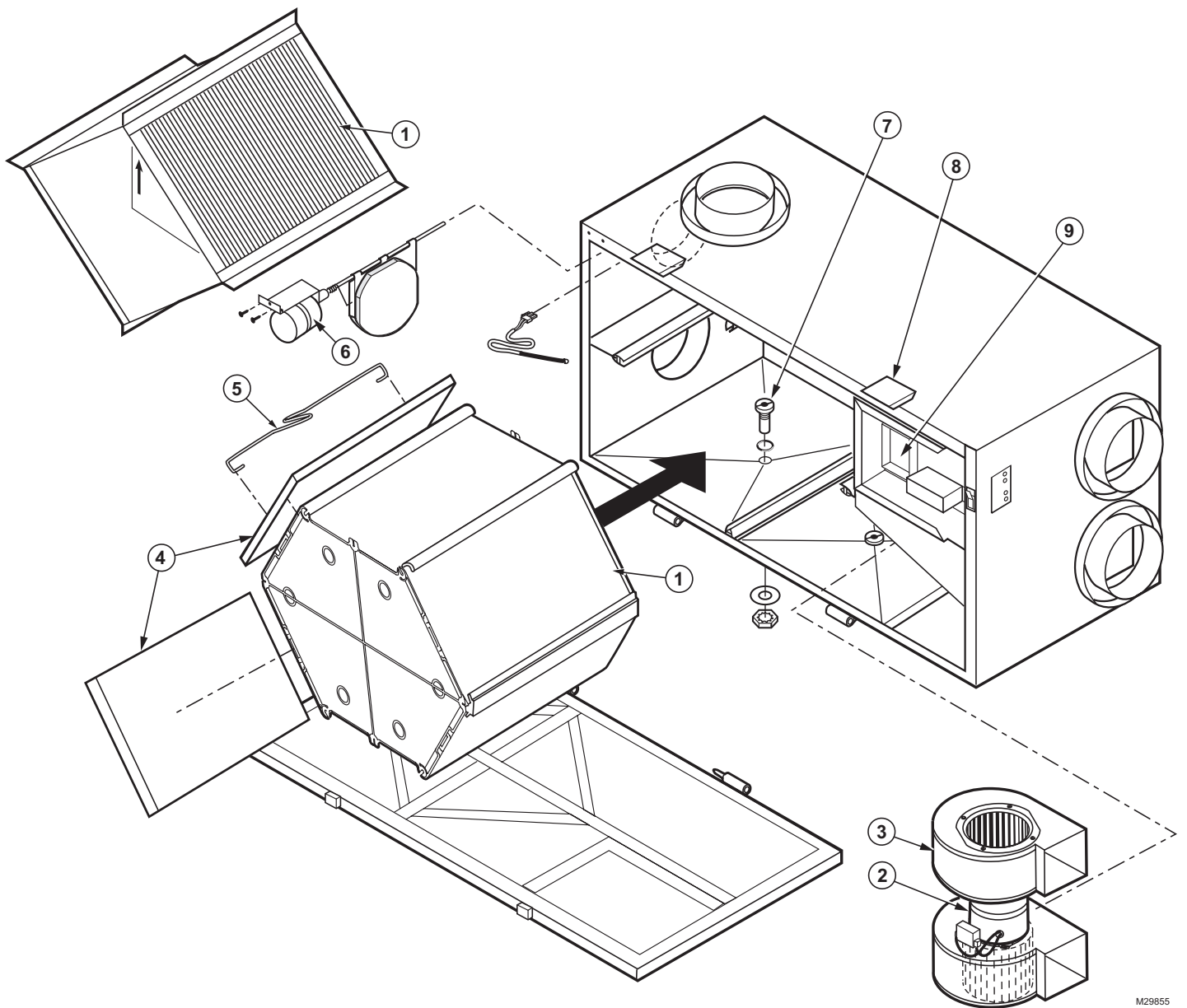
Item Number (Fig. 21)	Part Number for			Description
	HR150B/ HR200B	ER150B/ ER200B	ER150C/ ER200C	
1	209746			Heat Transfer Core, Aluminum with Plastic Frame
		32002074-001	32002074-001	Cross-Flow Energy Transfer Core, with Guide Channels, diamond shape made before August 2005*
		50048918-001	50048918-001	Universal Energy Transfer Core with guide channels to fit diamond and square shape.
2	208359	208359	208359	Blower Motor with Capacitor
3	50002341-001	50002341-001	50002341-001	Blower Housing Kit, includes upper and lower housing, no wheels or motor.
4	209723	50050728-001	50050728-001	Foam Prefilter, Set of 2
5	209722	Included with Prefilter	Included with Prefilter	Clip for HRV Foam Prefilter
6	209715	209715	N/A	Defrost Damper Motor, Bi-directional
7	50048693-001	50048693-001	N/A	Drain Spouts and "T" Kit
8	50048694-001	50048694-001	50048694-001	Door latch, double wide
9	50050832-001	50050832-001	50050832-001	Electronic Control Kit (Control Board and Auto Transformer)

* Date can be determined by serial number which includes date in MMDDYY format.

Shaded items are obsolete — available while supplies last.

Accessory Items Parts List Not Shown—All Models

Item Number	Part Number	Description
6	W8150A1001	Fresh Air Ventilation Control
7	50050477-001	Digital Fan Timer, 20, 40, 60 minutes



M29855

Fig. 21. HR150/HR200 and ER150/ER200 exploded view of parts keyed to HR/ER Parts List.

Specifications

IMPORTANT

The specifications given in this publication do not include normal manufacturing tolerances. Therefore, this unit might not exactly match the listed specifications. Also, this product is tested and calibrated under closely controlled conditions, and some minor differences in performance can be expected if those conditions are changed.

TRADELINER® Models

TRADELINER models are selected and packaged to provide ease of stocking, ease of handling and maximum replacement value.

TRADELINER Models Available:

- HR150 and HR200 Fresh Air Ventilation Systems: Includes heat transfer core, prefilters, fan and blower assembly and frost control.
- ER150, ER200 Fresh Air Ventilation Systems: Includes enthalpic heat and moisture transfer core, prefilters, fan and blower assembly and frost control (frost control on B models only).
- HR150B: 150 cfm, aluminum cross flow core, manual control and frost control.
- HR200B: 200 cfm, aluminum cross flow core, manual control and frost control.
- ER150B: 150 cfm, heat and moisture transferring core, manual control and frost control.
- ER150C: 150 cfm, heat and moisture transferring core, manual control and without frost control.
- ER200B: 200 cfm, heat and moisture transferring core, manual control and frost control.
- ER200C: 200 cfm, heat and moisture transferring core, manual control and without frost control.

Color

White

Electrical Ratings

- Power Rating: 120 Vac, 60 Hz
- Amp Rating: 1.4 A
- Consumption:

Mode	Watts	
	HR150/ER150	HR200/ER200
Low speed	63	70
High speed	173	182

Mounting

Most models mount in conditioned space such as a basement, utility room, hallway or closet. Can also be mounted in conditioned attic space.

NOTE: ER150C and ER200C models can be installed in unconditioned spaces such as attics and garages in regions where the outdoor temperature does not drop below freezing.

Approvals

- Home Ventilation Institute (HVI): Certified.
- Canadian Standards Association: Approved.
- ETL: Certified to UL1812.

Installed Weight

- HR150/HR200: 70 lb (32 kg).
- ER150/ER200: 70 lb (32 kg).

HVI Certified

HR150, HR200, ER150, ER200

Ventilation Performance

See Fig. 22 and 24.

Dimensions

See Fig. 23 and 25.

Accessories

See the Accessory Items Parts List that follows the Troubleshooting Guide.

HR150, HR200

Performance ratings based on CAN/CSA-C439-88.

Maximum Temperature Recovery

78%

Sensible Effectiveness

HR150 at 67 cfm (32 L/s) at 32°F (0°C): 76%.
HR200 at 119 cfm (56 L/s) at 32°F (0°C): 67%.

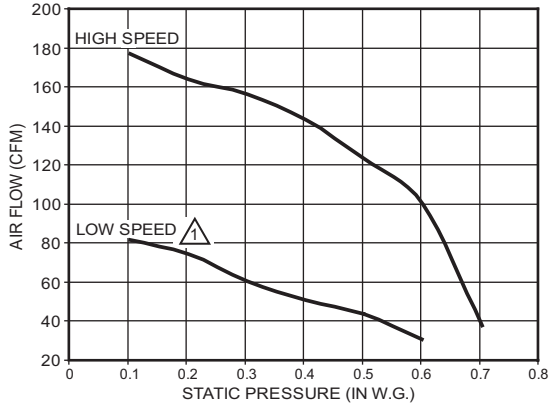
ER150, ER200

Sensible Effectiveness

ER150 at 64 cfm (30 L/s) at 32°F (0°C): 81%.
ER200 at 116 cfm (55 L/s) at 32°F (0°C): 76%.

Total Recovery Efficiency

ER150 at 65 cfm (30 L/s) at 95°F (35°C): 47%.
ER200 at 117 cfm (30 L/s) at 95°F (35°C): 50%.

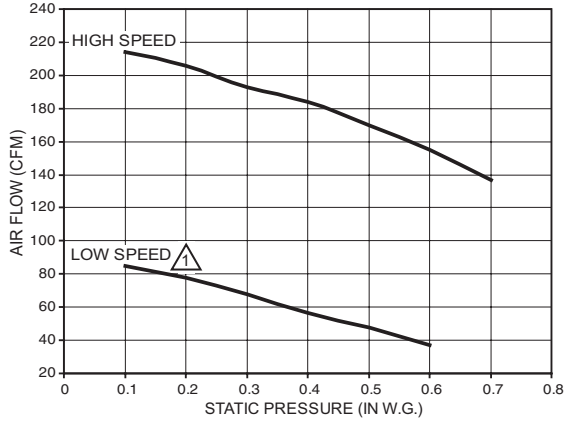


MANUFACTURER'S DATA

HR150 VENTILATION PERFORMANCE (HV1)

EXT STATIC PRESSURE		NET SUPPLY AIR FLOW	
(Pa)	(in. wg)	(L/s)	(cfm)
25	.1	83	177
50	.2	77	164
75	.3	73	156
100	.4	67	143
125	.5	58	123
150	.6	47	100
175	.7	18	38

M29743B



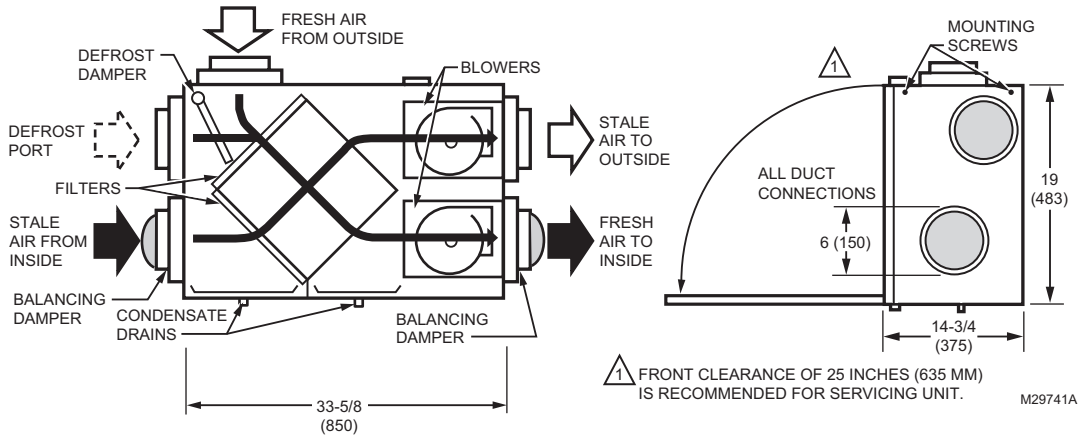
MANUFACTURER'S DATA

HR200 VENTILATION PERFORMANCE (HV1)

EXT STATIC PRESSURE		NET SUPPLY AIR FLOW	
(Pa)	(in. wg)	(L/s)	(cfm)
25	.1	101	214
50	.2	97	206
75	.3	91	193
100	.4	87	184
125	.5	80	170
150	.6	73	155
175	.7	65	137

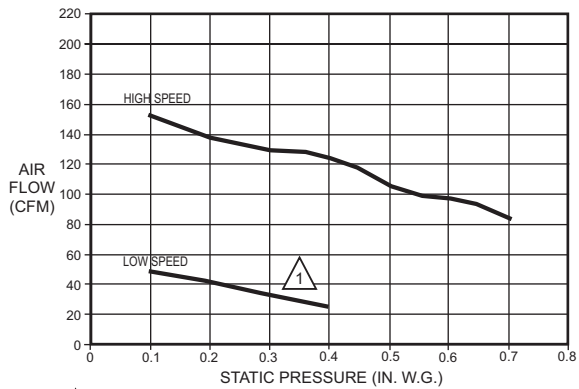
M29744B

Fig. 22. HR150 and HR200 Ventilation performance.



M29741A

Fig. 23. HR150 and HR200 dimensions in in. (mm).

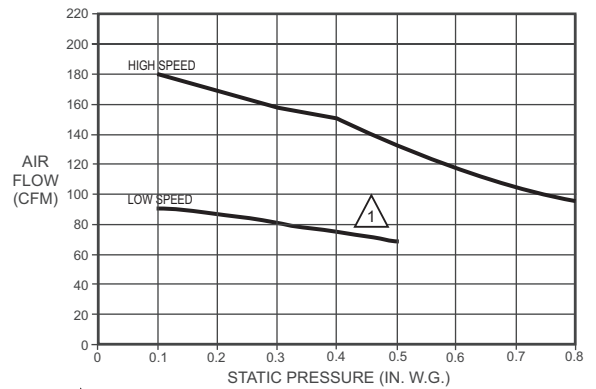


1 MANUFACTURER'S DATA.

ER150 VENTILATION PERFORMANCE
NET SUPPLY AT LOW IN CFM (L/s) AGAINST EXTERNAL STATIC PRESSURE

E.S.P. (EXTERNAL STATIC PRESSURE) INCHES (Pa)	CFM (Ls)
0.1 (25)	151 (71)
0.2 (50)	141 (67)
0.3 (75)	132 (62)
0.4 (100)	124 (59)
0.5 (125)	107 (50)
0.6 (150)	98 (46)
0.7 (175)	81 (38)
0.8 (200)	60 (28)

M29836



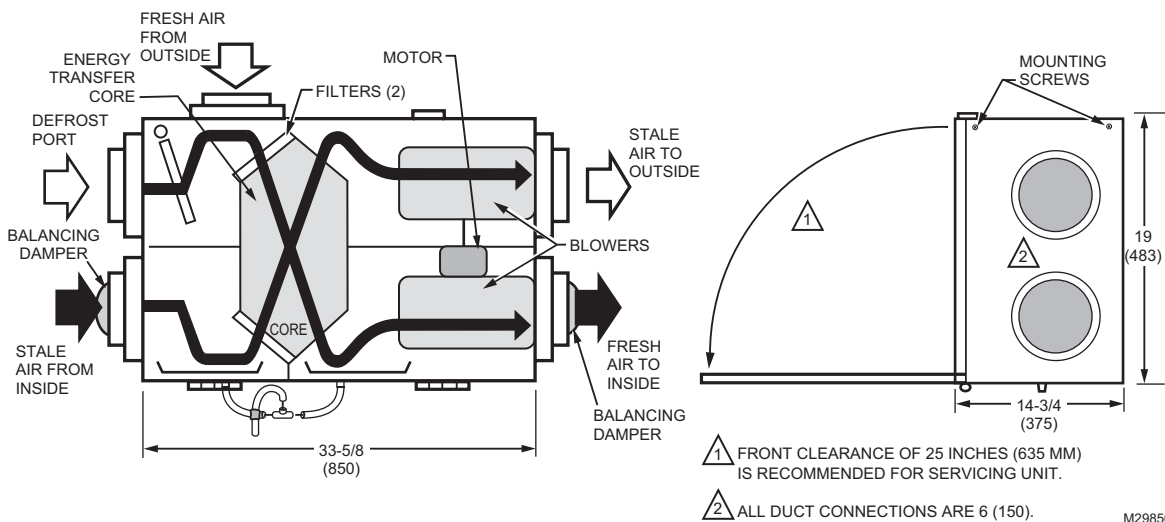
1 MANUFACTURER'S DATA.

ER200 VENTILATION PERFORMANCE
NET SUPPLY AT LOW IN CFM (L/s) AGAINST EXTERNAL STATIC PRESSURE

E.S.P. (EXTERNAL STATIC PRESSURE) INCHES (Pa)	CFM (Ls)
0.1 (25)	180 (85)
0.2 (50)	169 (80)
0.3 (75)	157 (74)
0.4 (100)	146 (69)
0.5 (125)	132 (62)
0.6 (150)	118 (56)
0.7 (175)	101 (48)
0.8 (200)	82 (39)

M29837

Fig. 24. ER150 and ER200 Ventilation performance.



1 FRONT CLEARANCE OF 25 INCHES (635 MM) IS RECOMMENDED FOR SERVICING UNIT.

2 ALL DUCT CONNECTIONS ARE 6 (150).

M29856

Fig. 25. ER150 and ER200 dimensions in in. (mm).

Automation and Control Solutions

Honeywell International Inc.
1985 Douglas Drive North
Golden Valley, MN 55422

Honeywell Limited–Honeywell Limitée
35 Dynamic Drive
Toronto, Ontario M1V 4Z9
<http://yourhome.honeywell.com>

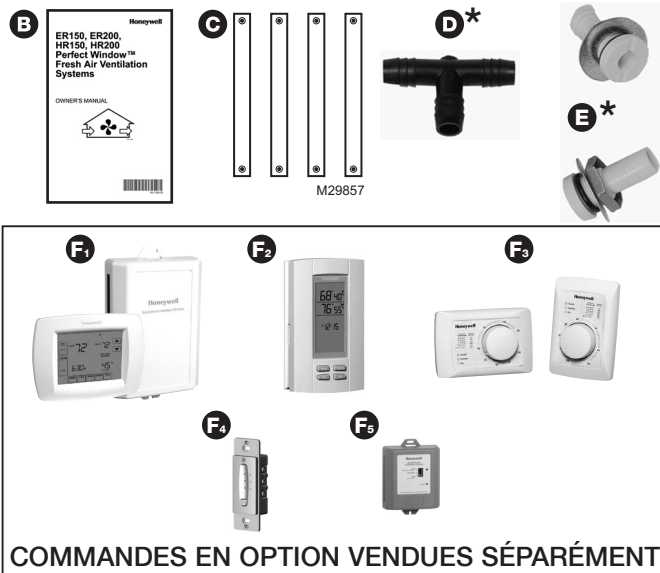
© U.S. Registered Trademark
© 2010 Honeywell International Inc.
68-0171EF—01 M.S. 03-10
Printed in U.S.A.

Honeywell

Systemes de ventilation à apport d'air frais Perfect Window™ HR150, 200; ER150, 200

DONNÉES SUR LE PRODUIT

**INCLUS DANS LA BOÎTE DU SYSTÈME
DE VENTILATION**



Outils et accessoires requis pour l'installation des systèmes de ventilation à apport d'air frais Perfect Window™

- ▶ Coupe-fil/outil à dénuder
- ▶ Fil de calibre 18 (jusqu'à 5 conducteurs))
- ▶ Tournevis normal
- ▶ Conduit rond isolé de 6 po
- ▶ Conduit rond non isolé de 6 po
- ▶ Deux hottes anti-intempéries de 6 po
- ▶ Deux collets de départ de 6 po
- ▶ Tuyau d'évacuation de 1/2 po de dia. int.
- ▶ Nécessaire d'équilibrage du débit d'air
- ▶ Ruban métallique

- A** Système de ventilation à apport d'air frais Perfect Window™ HR150/200 ou ER150/200
- B** Manuel du propriétaire
- C** Brides de suspension
- D** * Raccord en T
- E** * 2 becs d'évacuation
- F₁** Régulateur VisionPRO IAQ
- F₂** TruelAQ
- F₃** Déshumidistat H8908
- F₄** Minuterie de ventilateur numérique
- F₅** Régulateur de ventilation W8150

* Pas pour les modèles « C ».

POUR
COMMENCER

MONTAGE

PLOMBERIE

CÂBLAGE

TUYAUTERIE

ANNEXES



Systemes de ventilation à apport d'air frais Perfect Window

POUR COMMENCER

Définitions et précautions relatives à la sécurité	2
Application	3
Caractéristiques	3
Préparation de l'installation	4
Dimensionnement	5
Position et emplacement de montage	6
Équilibrage du débit d'air	9

MONTAGE

Installation	10
Suspension aux solives de plancher	10

PLOMBERIE

Installation du tuyau d'évacuation et du siphon P . .	11
---	----

CÂBLAGE

Raccordements du ventilateur à récupération de chaleur (VRC) et du ventilateur à récupération d'énergie (VRE)	12
Minuterie de ventilateur numérique	12

TUYAUTERIE

Équilibrage du débit d'air	16
Procédure d'équilibrage	16

ANNEXES

Démarrage et vérification	17
Nettoyage des filtres et du noyau	17
Inspection des hottes extérieures	17
Dépannage	18
Liste des pièces	20
Spécifications	22



BESOIN D'AIDE? Pour de l'assistance au sujet de ce produit, merci de consulter le site <http://yourhome.honeywell.com> ou d'appeler le numéro gratuit du service à la clientèle de Honeywell au 1-800-468-1502.

Lire et conserver ces instructions.

© Marque déposée américaine. Brevets en instance. Copyright © 2010 Honeywell International Inc. Tous droits réservés.

Définitions et précautions relatives à la sécurité

Définitions relatives à la sécurité

L'information portant sur l'identification des termes de sécurité doit être lue.

⚠ MISE EN GARDE : Indique une situation dangereuse qui, si elle n'est pas évitée, risque d'endommager le produit ou de causer des blessures corporelles.

⚠ AVERTISSEMENT : Indique une situation dangereuse qui, si elle n'est pas évitée, risque de causer des blessures graves, voire mortelles.

Précautions relatives à la sécurité

Veiller à lire et à comprendre les avertissements relatifs à la sécurité et aux dommages matériels suivants avant d'installer, d'utiliser ou de travailler sur le système de ventilation à apport d'air frais Perfect Window™ :

- Toute la tuyauterie en direction de l'extérieur doit se terminer au-dessus des lignes de limites de neige prévues et être munie de bouchons anti-intempéries équipés d'un grillage aviaire.

⚠ MISE EN GARDE : Risque de choc électrique.
Peut causer des blessures et des dommages matériels.
Débrancher l'alimentation pour éviter les chocs électriques et les dommages matériels.

⚠ MISE EN GARDE : Risque de choc électrique.
Peut causer des blessures.
Veiller à ce que le ventilateur soit correctement mis à la masse. Confirmer la polarité des lignes électriques utilisant un interrupteur de sécurité (déconnexion) lors du nettoyage ou de l'entretien de l'unité.

⚠ MISE EN GARDE : Risque de choc électrique.
Peut endommager l'équipement
Débrancher le VRC/VRE de l'alimentation avant de connecter ou de déconnecter la minuterie du ventilateur numérique ou un autre appareil des bornes de dérivation haute vitesse du VRC/VRE.

Application

HR150B et HR200B de Honeywell procurent une ventilation adéquate tout en réduisant la consommation d'énergie; ils transfèrent en effet à l'air neuf la chaleur contenue dans l'air extrait.

Le système de ventilation par apport d'air frais Perfect Window™ ER150B et ER200B de Honeywell procure une ventilation adéquate tout en réduisant la consommation d'énergie; il transfère en effet la chaleur et l'humidité contenue entre les flux d'air d'évacuation et d'air frais.

Les systèmes de ventilation à apport d'air frais Perfect Window™ ER150C et ER200C sont spécifiquement conçus pour les installations dans les espaces non climatisés, tels que les greniers et les garages dans les régions où la température extérieure ne descend pas en dessous de 0 °C (32 °F).

Caractéristiques

- Ventilateur à deux vitesses à commande à distance.
- Registres d'équilibrage intégrés pour une installation rapide.
- Fournit une ventilation qui permet aux entrepreneurs d'assurer une ventilation conforme à la norme ASHRAE 62
- Commande de dégivrage intégrée, automatique et économique disponible pour un fonctionnement aux températures de calcul de -40 °C (-40 °F).
- Les modèles HR150 et HR200 ont un noyau à débit croisé en aluminium facile à nettoyer.
- Les modèles ER150 et ER200 ont un noyau fixe à récupération d'énergie, de chaleur et d'humidité de technologie avancée
- Noyau de transfert d'énergie lavable. Inclut le matériel d'isolation des vibrations et des collets de conduit.
- Armoire isolée en acier robuste
- Préfiltres permanents (lavables)
- Fonctionnement silencieux
- Option de minuterie de ventilateur numérique sur tous les modèles
- Algorithmes de ventilation avancés disponibles sur les régulateurs VisionPRO IAQ, TrueIAQ et W8150
- Raccorder le VRC/VRE sur la soufflante de la section de traitement de l'air ou de l'appareil chauffage
- Fonctionnement du déshumidistat désactivé l'été

Préparation de l'installation

Le non-respect de ces exigences annulera la garantie, nuira à l'installation et entraînera des appels de service injustifiés.

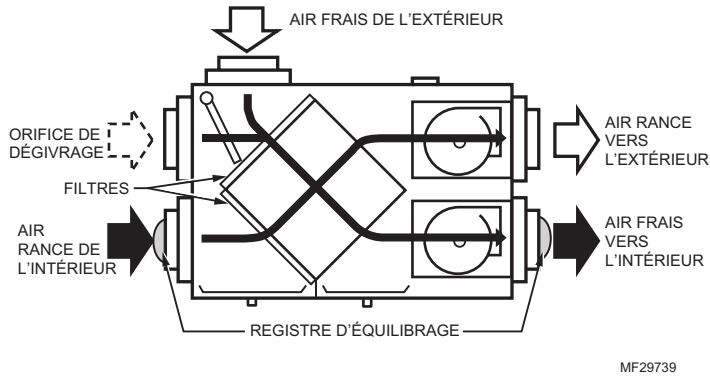


Fig. 1. Raccordement des conduits et débit d'air (HR150B/HR200B).

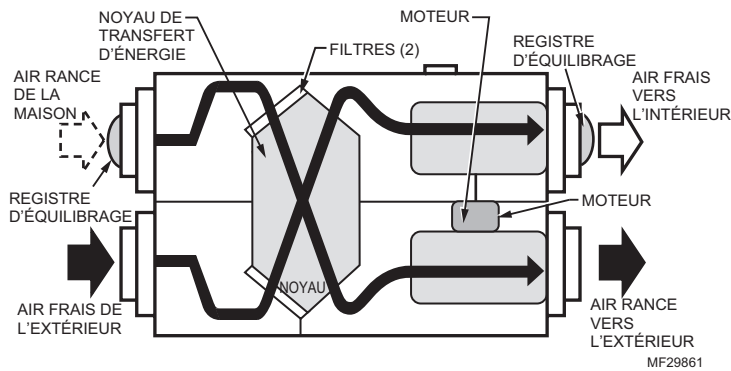


Fig. 2. Raccordement des conduits et débit d'air (ER150C/ER200C).

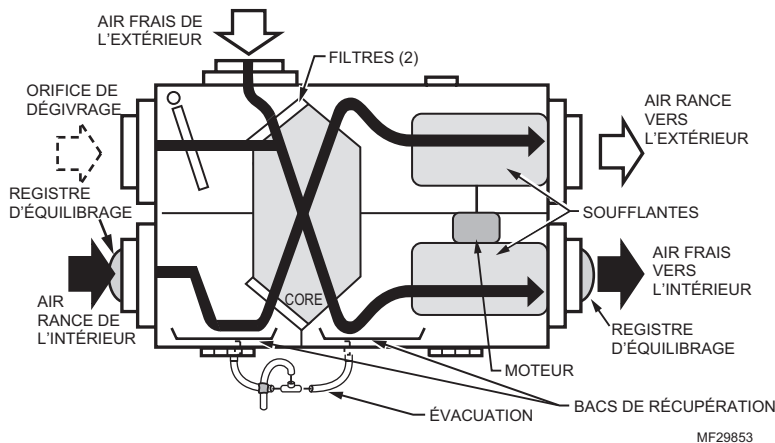


Fig. 3. Raccordement des conduits et débit d'air (ER150B/ER200B).

Le système de ventilation à apport d'air frais est conçu pour apporter de l'air frais et évacuer l'air rance. Le système aspire l'air frais extérieur par le ventilateur pour le distribuer dans la maison.

Ventilateur à récupération d'énergie

L'air rance est évacué à l'extérieur par le ventilateur. La chaleur est transférée d'un flux d'air à l'autre pendant que l'air passe par les côtés opposés du noyau de transfert de chaleur. Voir la Fig. 1.

Ventilateur à récupération d'énergie

L'air rance est évacué à l'extérieur par le ventilateur. La chaleur et l'humidité sont transférées d'un flux d'air à l'autre pendant que l'air passe par les côtés opposés du noyau de transfert d'énergie. Voir les Fig. 2 et 3.

Dimensionnement

ASHRAE 62.2

Plusieurs méthodes peuvent donner des résultats satisfaisants pour dimensionner le ventilateur requis pour fournir une ventilation adéquate à l'habitation. La nouvelle norme de ventilation résidentielle ASHRAE 62.2 donne les suggestions suivantes :

- 7,5 pi³/min. par personne (compter le nombre de personnes tel que 1 par chambre à coucher plus 1) plus 1 pi³/min. par 100 pi²

Exemple :

Maison de 2200 pi² avec 4 chambres à coucher
= (7,5 pi³/min. x (4 chambres à coucher + 1)) + (1 pi³/min. x (2200 pi² / 100))
= (7,5 x 5) + (2200 / 100)
= 37,5 + 22
= 59,5 pi³/min.

Dans ce cas, une capacité de 60 pi³/min. continus fournirait une ventilation adéquate pour cette habitation.

ASHRAE 62.1

Certaines régions utilisant la norme plus ancienne ASHRAE 62.1 en tant que code de ventilation pour leur région.

La norme de ventilation ASHRAE 62.1 relative à la qualité de l'air intérieur acceptable donne les suggestions suivantes :

- 0,35 changement d'air par heure (cah) mais pas moins de 15 pi³/min. pour les zones habitables = taille de l'habitation (pi²) x hauteur du plafond (pi) / 60 (min) x 0,35 (cah)

Exemple :

= 2000 pi² x 8 pi / 60 min x 0,35 cah = 93 pi³/min.

- Capacité de 50 pi³/min. intermittents ou 20 pi³/min. continus pour les salles de bains

Exemple :

50 pi³/min. intermittents x 3 salles de bains = 150 pi³/min.

20 pi³/min. continus x 3 salles de bains = 60 pi³/min.

- Capacité de 100 pi³/min. intermittents ou 25 pi³/min. continus pour les cuisines

Exemple :

100 pi³/min. intermittents x 1 cuisine = 100 pi³/min.

25 pi³/min. continus x 1 cuisine = 25 pi³/min.

Option 1 : Le système de ventilation à apport d'air frais fournit une alimentation en air frais continue de 93 pi³/min. et une capacité intermittente de 150 pi³/min. pour les salles de bains. Un ventilateur d'aspiration séparé de 100 pi³/min. est utilisé pour la hotte de la cuisinière.

Débit d'air fourni requis = 93 pi³/min.

Débit d'air évacué requis = 150 pi³/min.

Toutes les unités de ventilation de Honeywell fournissent une capacité de ventilation adéquate. Voir la Fig. 22.

Option 2 : Le système de ventilation à apport d'air frais fournit une alimentation en air frais continue de 93 pi³/min., une capacité d'évacuation de l'air intermittente de 150 pi³/min. pour les salles de bains et de 50 pi³/min. pour les cuisines.

Débit d'air fourni requis = 93 pi³/min.

Débit d'air évacué requis = 200 pi³/min.

Les modèles HR200/ER200 de Honeywell ont la capacité d'évacuation requise pour les besoins en ventilation de cette application. Voir la Fig. 22.

Position et emplacement de montage

Les modèles HR150/ER150 et HR200/ER200 peuvent être suspendus aux solives de plafond exposées, à la surface du plafond ou montés au sol. (Mettre le ventilateur à niveau pour que l'évacuation fonctionne correctement.)

REMARQUE : Les modèles ER150C et ER200C sont spécifiquement conçus pour les installations dans les espaces non climatisés, tels que les greniers et les garages dans les régions où la température extérieure ne descend pas en dessous de 0 °C (32 °F). (Ces unités ne sont pas équipées de nécessaires d'évacuation.)

- Situer l'arrivée d'air frais à 2 m (6 pi) ou plus de l'évacuation d'air rance pour éviter que l'air évacué ne pénètre de nouveau.
- Situer le ventilateur à l'endroit nécessitant le moins de longueur de tuyauterie.

Installer les modèles HR150/ER150 et HR200/ER200 dans les endroits climatisés en respectant les instructions suivantes :

- Raccorder le conduit d'évacuation (les modèles ER150C et ER200C ne sont pas munis de nécessaires d'évacuation) du ventilateur à un orifice d'évacuation.
- Utiliser une prise électrique existante au courant approprié (ou en installer une) près du cordon d'alimentation du ventilateur.
- Prévoir l'espace pour le conduit d'évacuation en plaçant le ventilateur à au moins 254 mm (10 po) du sol.
- Pour l'accès et le retrait du noyau du ventilateur, prévoir un espace ouvert d'au-moins 635 mm (25 po) à l'avant de l'unité.

Tuyauterie

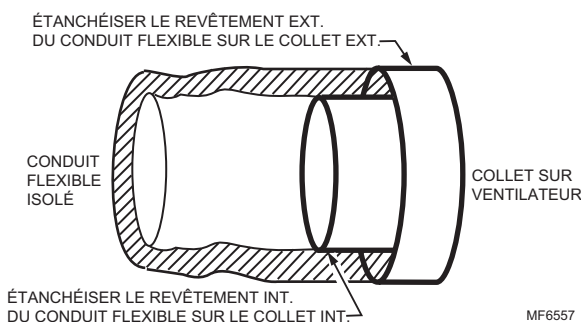


Fig. 4. Étanchéisation des extrémités de tuyaux isolés

La tuyauterie entre le ventilateur et l'extérieur doit être isolée et avoir une barrière de vapeur d'air continue. Voir la Fig. 4.

IMPORTANT

Toute la tuyauterie en direction de l'extérieur doit se terminer au-dessus des lignes de limites de neige prévues et être munie de bouchons anti-intempéries équipés d'un grillage aviaire.

La conception et l'installation de la tuyauterie doivent être conformes aux pratiques de CVCA standard pour fournir les quantités d'air frais requises à l'espace à température contrôlée et permettre l'évacuation vers l'extérieur de quantités d'air ambiant équivalentes.

Garder les tuyauteries d'arrivée et d'évacuation aussi courtes que possible et réduire au minimum le nombre de coudes.

- Garder la taille des tuyaux aussi grande que possible sur toute l'installation.
- Utiliser des conduits ronds de 6 po de diamètre pour tous les raccords vers le ventilateur ou depuis celui-ci.
- Séparer les événements d'arrivée et d'échappement externes d'au moins 2 m (6 pi).

REMARQUES : Ne pas situer l'évent d'air frais à un endroit où il serait dirigé vers les personnes ou le thermostat. Ne pas situer l'arrivée d'air frais près de sources connues de polluants, tels que les gaz d'échappement automobiles, le ventilateur d'un séchoir ou la fumée d'une cheminée.

- Le raccordement de la sortie de l'arrivée et/ou de l'arrivée de l'évacuation du ventilateur au plénum d'air de retour de la section de traitement de l'air est une excellente méthode de distribution d'air frais et d'évacuation de l'air rance de toutes les zones de l'habitation, et permet aussi de réduire les coûts d'installation. Si cette méthode est utilisée, équilibrer le ventilateur de façon à ce que la section de traitement de l'air fonctionne et soit raccordée au ventilateur pour qu'il ne fonctionne que lorsque la section de traitement de l'air est en marche. Voir la Fig. 6. Une autre méthode consiste à équilibrer le ventilateur lorsque la section de traitement de l'air n'est pas en marche et de laisser le ventilateur tourner indépendamment de la section de traitement de l'air, voir la Fig. 5. Une installation indépendante est illustrée à la Fig. 7.

REMARQUE : Lorsque l'habitation est occupée, un fonctionnement continu du ventilateur est recommandé. Lorsque la section de traitement de l'air de l'appareil de chauffage fonctionne, de l'air frais est distribué dans les registres d'alimentation du chauffage/climatiseur. Lorsque la section de traitement de l'air est arrêtée, l'air frais est délivré par l'arrivée et le retour.

- Un système de verrouillage électrique ou un registre alimenté automatiquement doit être utilisé pour éviter la pénétration non souhaitée de l'air extérieur si le ventilateur n'est pas en marche et que la section de traitement de l'air continue à fonctionner.

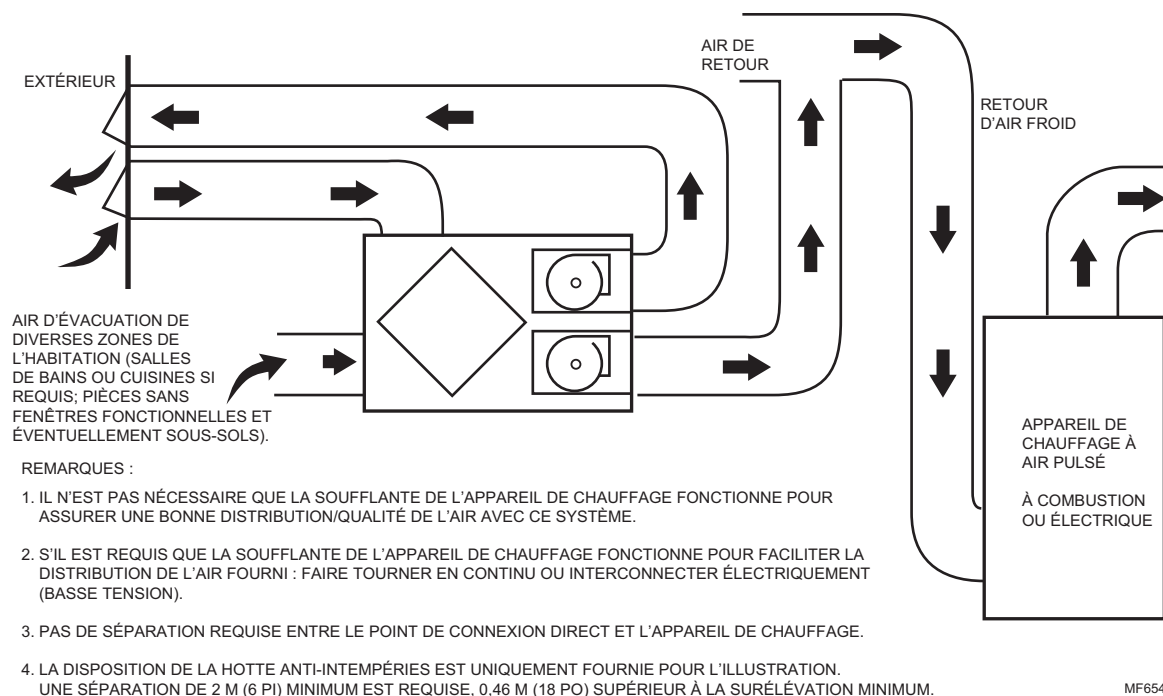


Fig. 5. Connexion directe du flux d'air fourni au retour d'air froid de l'appareil de chauffage pour le VRC/VRE.

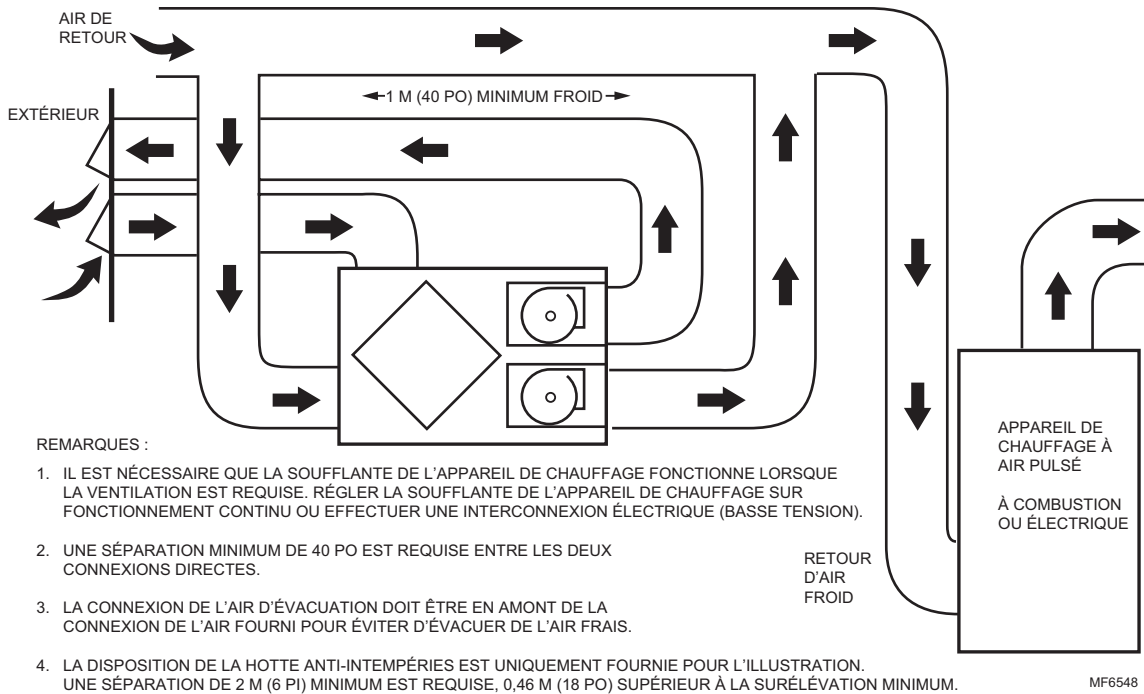


Fig. 6. Connexion directe du flux de l'air fourni et du flux de l'air d'évacuation du ventilateur au retour d'air froid de l'appareil de chauffage.

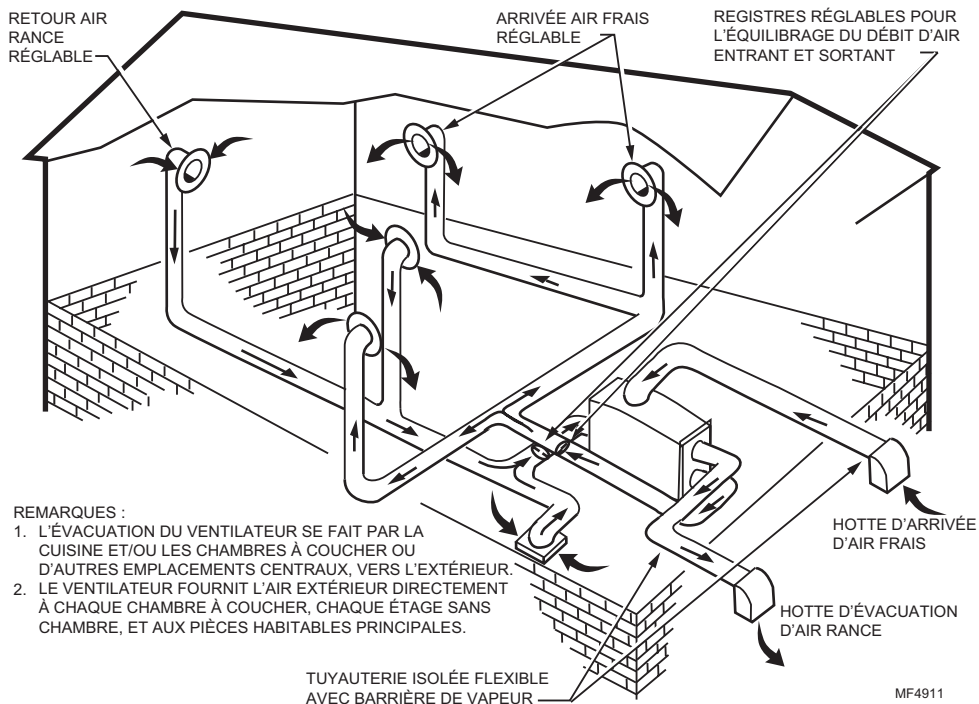


Fig. 7. Installation indépendante du ventilateur.

Équilibrage du débit d'air

L'équilibrage du débit d'air permet de vérifier que le système de ventilation à apport d'air frais fournit le débit d'air et la performance énergétique prévus. Utiliser les instructions d'équilibrage du débit d'air de la section Installation pour vérifier et équilibrer le débit d'air.

Commandes

Commande marche/arrêt des fonctions de l'interrupteur de dérivation à distance
Si une ventilation continue n'est pas requise, une commande marche/arrêt peut être utilisée pour activer le ventilateur lorsqu'il est en mode de veille. Les commandes pouvant être utilisées pour cette fonction incluent les déshumidistats, les minuteries, les interrupteurs muraux et la fonction de ventilation des régulateurs numériques VisionPRO IAQ et TruelAQ.

Déshumidistat

Si la régulation de l'humidité dans les salles de bains est une fonction principale du système, un déshumidistat peut être utilisé pour faire passer le ventilateur du réglage Bas ou Veille au réglage Haut. Le retrait de l'humidité dans toute l'habitation ne peut se faire que lorsque l'air extérieur contient moins d'humidité que l'air intérieur (généralement par temps froid).

Un VRC annulera l'appel d'un déshumidistat si la température extérieure dépasse 15,6 °C (60 °F) pour une période de 24 heures. La fonction du déshumidistat sera réactivée si l'unité est débranchée pendant 3 minutes ou si la température extérieure chute en dessous de 15,6 °C (60 °F) pour une période de 24 heures. La fonction du déshumidistat est activée en permanence sur les modèles VRE.

Régulateurs IAQ

Les régulateurs VisionPRO IAQ et TruelAQ peuvent réguler automatiquement le ventilateur en appuyant sur le bouton Ventilateur du régulateur. Voir le guide du propriétaire du régulateur pour les instructions complètes.

Minuterie de ventilateur numérique

Les régulateurs du ventilateur sont compatibles avec la minuterie de ventilateur numérique. Si plus d'une minuterie est activée, chacune fonctionne indépendamment avec le ventilateur en marche à haute vitesse jusqu'à ce que la durée de

fonctionnement de toutes les minuteries se soit écoulée. Huit minuteries au maximum peuvent être installées sur un système.

Régulation de l'humidité

Lorsqu'un bâtiment est neuf, le bois, le plâtre, le ciment et les autres matériaux de construction contiennent de l'humidité en excès. Lorsque le nouveau bâtiment est occupé, les activités des occupants augmentent aussi le niveau d'humidité. Il peut aussi y avoir de hauts niveaux de formaldéhyde et d'autres produits chimiques utilisés dans les matériaux de construction. Le fonctionnement à haute vitesse du système de ventilation fournit une réduction optimale des polluants présents dans l'air intérieur. Le fonctionnement à haute vitesse permet également de retirer un maximum d'humidité lorsque l'air extérieur contient moins d'humidité que l'air intérieur. (Généralement par temps froid.)

Fonctionnement de la commande de dégivrage à registre

Certains modèles sont munis d'un mécanisme de commande de dégivrage à registre électronique pour éviter l'accumulation de gel sur le noyau. La minuterie de dégivrage varie en fonction de la température de l'air extérieur entrant.

Température extérieure	Minuterie de dégivrage*
-3 °C (27 °F)	3 minute de dégivrage/ 25 minutes de fonctionnement
-20 °C (-4 °F)	4,5 minute de dégivrage/ 17 minutes de fonctionnement
-35 °C (-31 °F)	7 minute de dégivrage/ 15 minutes de fonctionnement

* Le cavalier R2000 du tableau de contrôle peut être retiré pour la conformité aux exigences du programme R2000.

Exemple :

Lorsque la température extérieure chute en dessous de -3 °C (27 °F), la minuterie de dégivrage est activée. À la fin du cycle de fonctionnement de 25 minutes, lorsque le noyau peut être soumis à une certaine quantité nominale d'accumulation de gel, la minuterie active un registre motorisé qui ouvre simultanément l'orifice de dégivrage et ferme l'orifice d'air fourni.

INSTALLATION

Lors de l'installation de ce produit...

1. Lire attentivement ces instructions. Le fait de ne pas les suivre risque d'endommager le produit ou de constituer un danger.
2. Vérifier les caractéristiques nominales indiquées sur le produit pour s'assurer que le produit correspond bien à l'application prévue.
3. L'installateur doit être un technicien expérimenté ayant reçu la formation adéquate.
4. Une fois l'installation terminée, vérifier que le produit fonctionne comme indiqué dans ces instructions.



MISE EN GARDE : Risque de choc électrique.

Peut causer des blessures et des dommages matériels.

Débrancher l'alimentation pour éviter les chocs électriques et les dommages matériels.

Déballage du système de ventilation à apport d'air frais

Vérifier que tous les composants sont présents. Le système de ventilation à apport d'air frais est expédié assemblé. Le carton contient les composants suivants:

- Système de ventilation à apport d'air frais.
- Brides d'isolation aux vibrations (4).
- Raccords d'évacuation (2) et raccord en T (1).
- Documentation.

À l'exception de la visserie de montage et des raccords d'évacuation, le ventilateur est prêt à être installé. Le câblage, les connexions d'évacuation et la tuyauterie sont requis pour terminer l'installation.

Montage

Suspension aux solives de plancher

1. Monter les quatre brides d'isolation aux vibrations (fournies) sur le côté du ventilateur en utilisant les vis de montage situées sur l'armoire. Voir la Fig. 23.
2. Bien attacher les autres extrémités des brides aux solives de plancher en utilisant les clous à tête large (non fournis) et en s'assurant que l'unité est à niveau. Les brides sont conçues pour réduire le bruit, la résonance et les harmoniques. C'est pourquoi il est recommandé d'utiliser toute la longueur de la bride entre le ventilateur et les solives de plancher.

REMARQUE : Le retrait de la porte et du noyau permet de réduire le poids du ventilateur, permettant de le soulever plus facilement pour le mettre en place.

Installation du tuyau d'évacuation et du siphon P

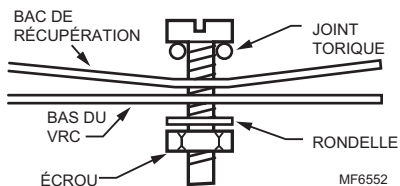


Fig. 8. Installation du tuyau d'évacuation.

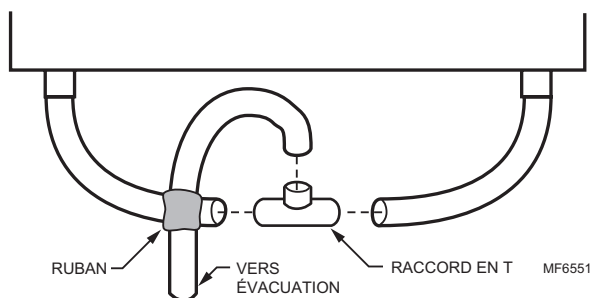


Fig. 9. Installation du siphon P.

Deux trous sont présents au bas du ventilateur pour les connecteurs du bac de récupération.

1. Insérer les connecteurs par l'orifice du bac de récupération et au bas de l'unité.
2. Placer la rondelle et l'écrou sur le connecteur.
3. Serrer l'écrou à la main. Voir la Fig. 8.

Construire un siphon P en utilisant le raccord en T en plastique fourni.

1. Couper deux longueurs de conduit de 1/2 po de dia. int. et connecter chaque raccord d'évacuation à l'extrémité du raccord en T.
2. Placer le pied central du raccord en T de sorte à ce qu'il pointe vers le haut.
3. Connecter le tuyau d'évacuation au pied central et le fixer en place à l'aide de ruban adhésif pour éviter toute pliure. Voir la Fig. 9.

Ceci crée un siphon qui contiendra une certaine quantité de condensation et empêchera les odeurs de passer par le tuyau d'évacuation et dans l'unité. Si l'unité est installée au cours d'une saison peu propice à la formation de condensation, remplir le siphon d'eau du robinet.

CÂBLAGE

⚠ **MISE EN GARDE** : Risque de choc électrique.

Peut causer des blessures.

Veiller à ce que le ventilateur soit correctement mis à la masse. Confirmer la polarité des lignes électriques utilisant un interrupteur de sécurité (déconnexion) lors du nettoyage ou de l'entretien de l'unité.

IMPORTANT

La ligne sous tension (noire) représente la ligne à commuter. Voir la Fig. 19. Pour confirmer que la polarité est correcte, utiliser un voltmètre ou une lampe de test pour vérifier qu'il n'y a pas de courant après le contacteur lorsque la porte est ouverte. Vérifier entre ce point et la masse (sur l'armoire). Ces étapes doivent être effectuées car le câblage de certaines habitations est parfois incorrect.

⚠ **MISE EN GARDE** : Risque de choc électrique.

Peut endommager l'équipement.

Débrancher le VRC/VRE de l'alimentation avant de connecter ou de déconnecter la minuterie du ventilateur numérique ou un autre appareil des bornes de dérivation haute vitesse du VRC/VRE.

IMPORTANT

Ne pas brancher des sources d'alimentation externes aux bornes de dérivation haute vitesse.

Raccordements du ventilateur à récupération de chaleur (VRC) et du ventilateur à récupération d'énergie (VRE)

Le connecteur est muni d'une prise de 120 V c.a. à trois fiches avec masse. Si un câblage supplémentaire est requis, Honeywell recommande de faire effectuer tous les raccords électriques par un électricien qualifié. Il est très important que l'unité soit correctement mise à la masse.

Minuterie de ventilateur numérique

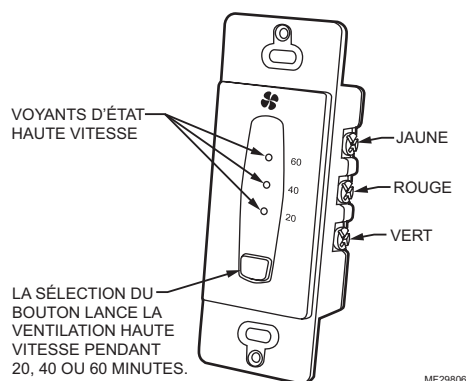


Fig. 10. Voyants de la minuterie du ventilateur numérique et bouton de sélection.

Monter la minuterie du ventilateur numérique dans une boîte électrique intégrale ou de mi-profondeur dans l'espace habitable. Voir la Fig. 10.

Appuyer sur le bouton de sélection et le relâcher pour activer la vitesse haute sur le ventilateur. Passer à un réglage de durée de dérivation de 20, 40 ou 60 minutes en appuyant et en relâchant le bouton de sélection.

Le voyant d'état s'assombrit après 10 secondes de fonctionnement. Le voyant d'état clignote durant les 5 dernières minutes de fonctionnement en dérivation. Toutes les minuteries connectées à l'unité s'allument pour la durée de la dérivation.

Régler le mode de verrouillage en appuyant sur le bouton de sélection pendant 5 secondes. Déverrouiller en appuyant pendant 5 secondes.

REMARQUE : Couper l'alimentation au ventilateur durant le câblage. Une décharge statique sur les bornes de câblage lorsque l'unité est sous tension pourrait entraîner la réinitialisation de l'unité, ou nécessiter une mise à l'arrêt et une remise en marche.

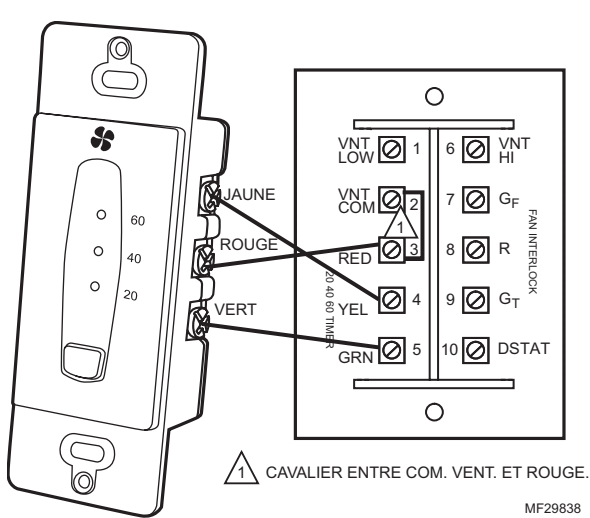


Fig. 11. Câblage de la minuterie du ventilateur numérique.

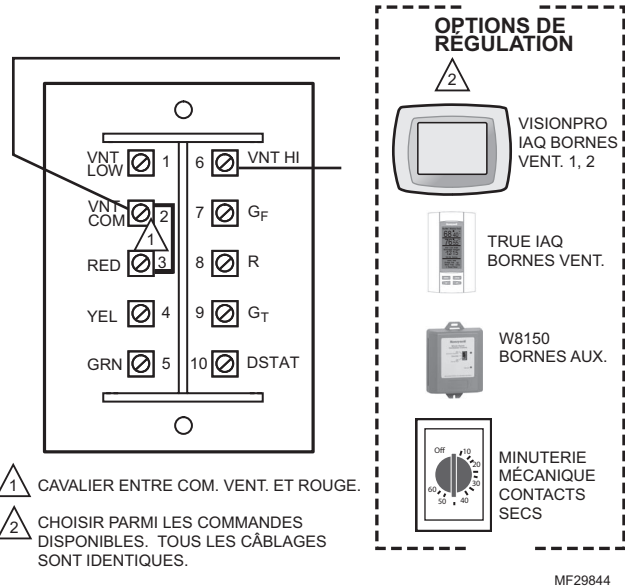


Fig. 12. Câblage du régulateur IAQ ou de ventilation.

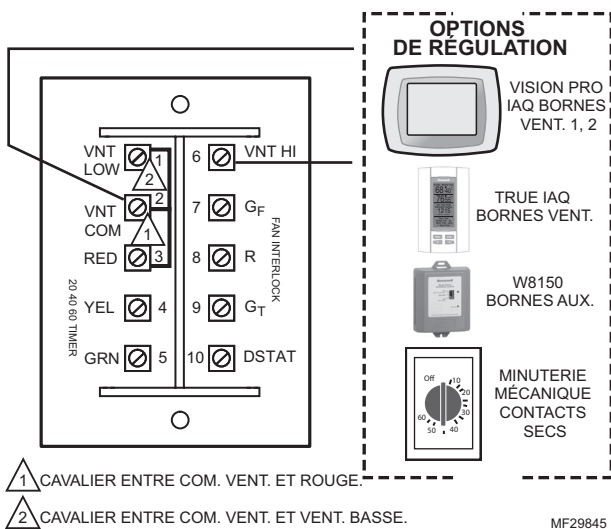


Fig. 13. Câblage pour la dérivation haute vitesse et basse vitesse continue.

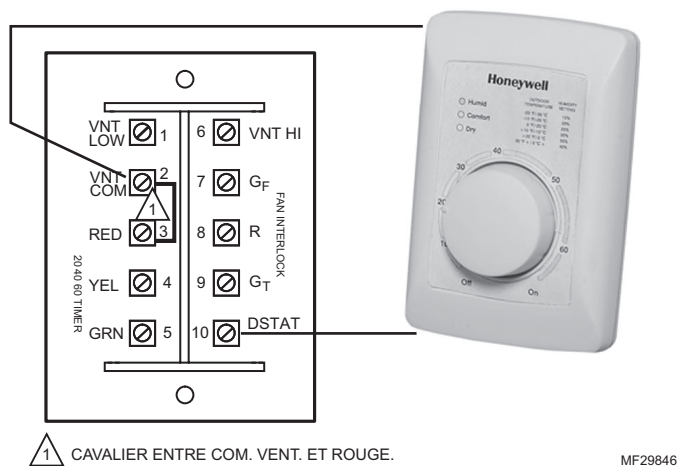
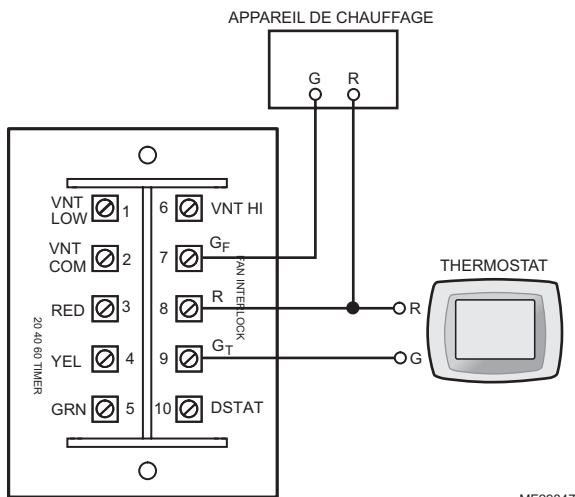
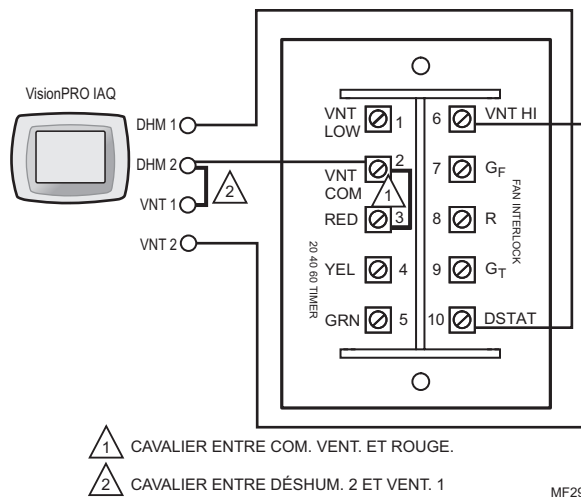


Fig. 14. Câblage du déshumidistat.



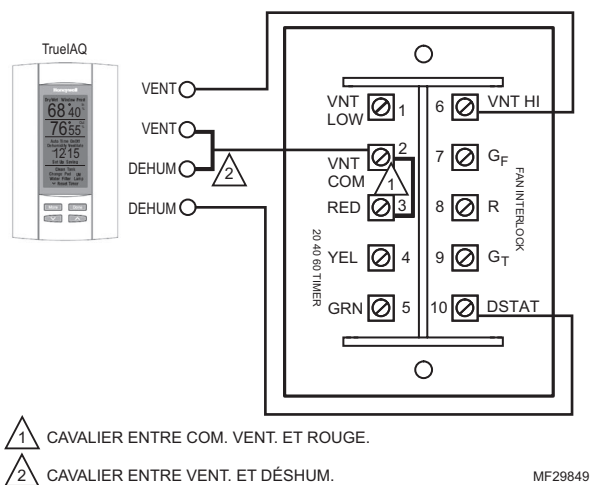
MF29847

Fig. 15. Câblage du verrouillage du ventilateur.



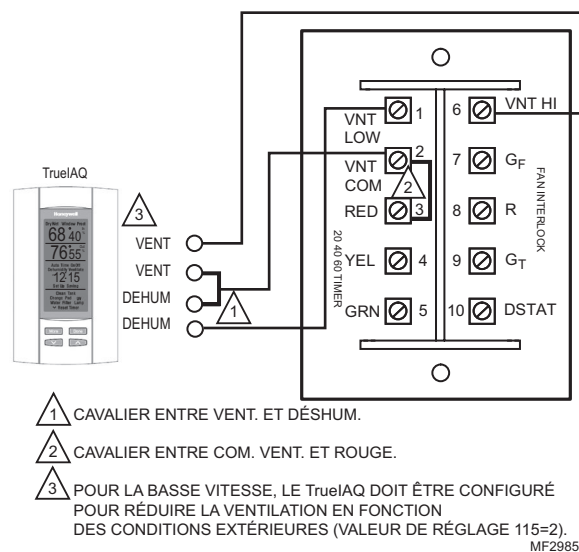
MF29848

Fig. 16. Câblage du VisionPRO IAQ pour la ventilation et la déshumidification.



MF29849

Fig. 17. Câblage du True IAQ pour la ventilation et la déshumidification.



MF29850

Fig. 18. Câblage du True IAQ pour la ventilation haute et basse vitesse.

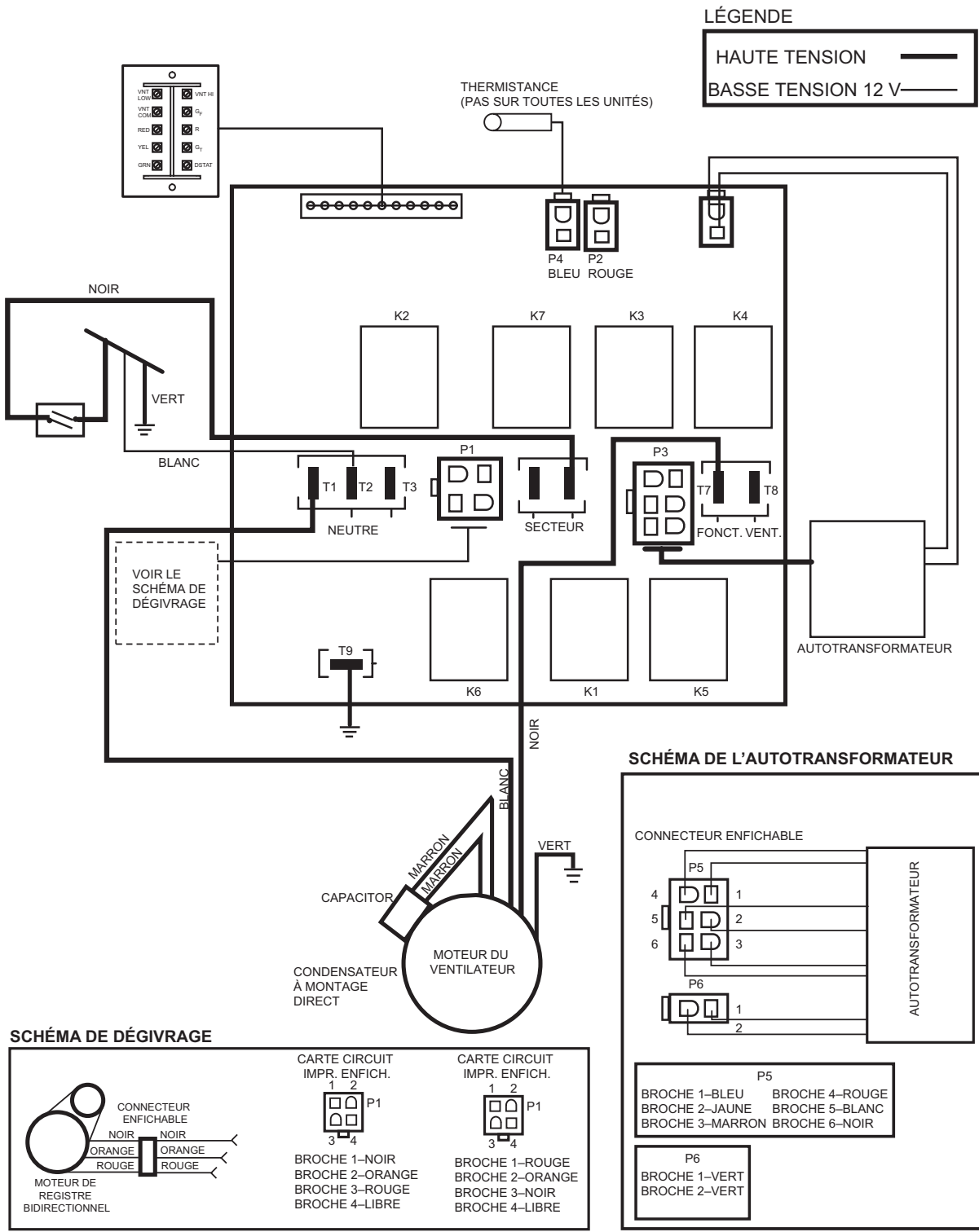


Fig. 19. Schéma interne des systèmes de ventilation à apport d'air frais

MF29742

Équilibrage du débit d'air

Un débit d'air de volume équilibré est requis dans le ventilateur. Le volume de l'air extérieur fourni doit être égal au volume d'évacuation d'air de l'unité. Si le débit d'air n'est pas correctement équilibré :

- l'unité ne fonctionne pas à sa performance maximale.
- une pression d'air positive ou négative peut avoir lieu dans l'habitation.
- l'unité ne se dégivre pas correctement.
- la garantie peut être annulée.

Une pression positive excessive peut amener de l'air intérieur humide dans les parois externes du bâtiment où il pourrait se condenser (par temps froids) et endommager les structures. De l'air intérieur humide peut aussi causer le gel des trous de serrure.

Une pression négative excessive peut avoir plusieurs effets secondaires indésirables; dans certains lieux géographiques, les gaz libérés par le sol, tels que le méthane ou le radon, peuvent pénétrer dans l'habitation par le sous-sol et les zones de contact avec le sol. Une pression négative excessive peut aussi causer des refoulements de l'équipement de combustion ventilé lorsqu'une alimentation en air de combustion adéquate n'est pas fournie.

Procédure d'équilibrage

Des collets de débit de 150 mm (6 po) de diamètre connectés à un manomètre à tube incliné ou numérique, ou à hélice, avec une quantité d'eau comprise entre 0 et 62,5 Pa (0 à 25 po) sont recommandés pour obtenir des mesures de débit d'air précises. Pour éviter des turbulences du débit d'air et des résultats incorrects, les stations de débit doivent être situées à un point distant d'au-moins cinq diamètres de conduit; par exemple, un conduit de 150 mm (6 po) nécessite cinq diamètres x 150 mm (6 po) = 76 cm (30 po) de la valve ou la restriction de débit la plus proche. Cette exigence s'applique au conduit air rance-échangeur et au conduit air frais-habitation.

Avant l'équilibrage, s'assurer que :

- tous les joints du système de tuyauterie sont effectués.
- tous les organes du système du ventilateur sont en place et fonctionnent correctement.
- les registres d'équilibrage sont complètement ouverts.
- l'unité est sur haute vitesse.
- les débits d'air dans les lignes auxiliaires vers les zones de la maison sont réglés avant d'équilibrer l'unité. (Un stylo de fumée utilisé sur les grilles permet de détecter le débit d'air relatif sur chaque ligne auxiliaire.)
- Le ventilateur du système de CVCA est en marche sur les modèles connectés au système de CVCA

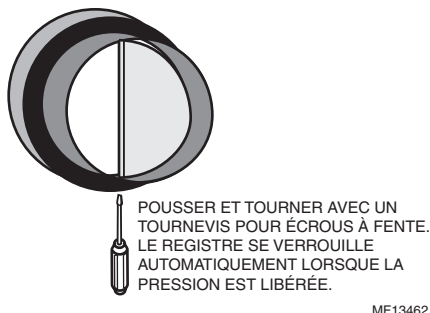


Fig. 20. Équilibrage du débit d'air.

Après avoir pris les relevés dans les conduits d'air rance et d'air frais, le conduit avec valeur de vélocité en pi^3/min . (l/s) moindre doit rester tel qu'il est, tandis que le conduit présentant la valeur la plus élevée doit être réduit pour correspondre au relevé inférieur. Voir la Fig. 20.

Remettre l'unité sur la vitesse de ventilateur appropriée au fonctionnement normal.

MISE EN SERVICE ET VÉRIFICATION

Lorsque le ventilateur est mis en marche, il effectue un test automatique, actionne les deux vitesses du ventilateur et vérifie le fonctionnement des registres.

Voyant DEL sur la plaque à bornes du ventilateur

La plaque à bornes est munie d'un voyant DEL qui clignote pour indiquer le mode de fonctionnement en cours du ventilateur.

Mode du ventilateur	Séquence de clignotement	Description
Veille, ventilation, ou arrêt*	½ s de marche suivies de 10 s d'arrêt	Ceci est le fonctionnement normal du ventilateur.
Test automatique	2-½ s de marche suivies de ½ s d'arrêt	Le test automatique actionne les deux vitesses du ventilateur et vérifie le fonctionnement des registres.
Dégivrage	½ s de marche suivie de ½ s d'arrêt	Voir la page 9 pour le fonctionnement du dégivrage.

* En mode Arrêt, le ventilateur ne se met pas en marche. Le ventilateur est en mode Arrêt lorsqu'il n'y a pas de cavalier entre COM. VENT. et ROUGE. Le cavalier peut être remplacé par un interrupteur d'éclairage MARCHE/ARRÊT pour fournir une commutation d'arrêt positive facile.

ENTRETIEN

⚠ MISE EN GARDE : Risque de choc électrique. Peut causer des blessures et des dommages matériels. Débrancher l'alimentation vers l'unité avant de commencer l'entretien.

Pour une efficacité maximale, le système de ventilation à apport d'air frais doit faire l'objet d'un entretien régulier. Honeywell recommande de vérifier et de nettoyer l'appareil au moins deux fois par an, de préférence au début de la saison de chauffage et de refroidissement.

Nettoyage des filtres et du noyau

1. Ouvrir la porte du ventilateur en desserrant les verrous à tirant sur le haut de l'unité et en basculant la porte pour l'ouvrir. Pour un accès plus facile, retirer la porte en la déplaçant vers la droite pour la retirer des charnières.
2. Saisir avec précaution les extrémités du noyau (en veillant à ne pas endommager les ailettes en aluminium) et tirer uniformément vers l'extérieur. Le noyau est enserré mais glisse hors des glissières.
3. Une fois le noyau retiré, les filtres peuvent être retirés en détachant les attaches les fixant en place. Noter l'installation des attaches pour le remontage.

- 4a. Noyau du VRE : Passer un aspirateur sur le noyau du VRE ou rincer à l'eau froide. Ne pas utiliser de savon, de liquide vaisselle ou de laveuse à pression.
- 4b. Noyau du VRC : Faire tremper le noyau du VRC dans de l'eau tiède savonneuse et le rincer. Ne pas utiliser de solutions de nettoyage, de liquide vaisselle ou de laveuse à pression.
5. Laver les filtres dans de l'eau tiède savonneuse.
6. Placer le filtre propre (mouillé ou sec) sur le noyau et le fixer en place avec les attaches.
7. Réinstaller le noyau en le faisant glisser dans les quatre glissières d'angle. (L'eau n'endommage pas le joint et l'étiquette sur les extrémités du noyau, il n'est donc pas nécessaire des les retirer du noyau.)

Inspection des hottes extérieures

Inspecter les hottes extérieures au moins une fois par mois. S'assurer que les hottes d'arrivée d'air d'évacuation et d'air frais ne sont pas bloquées ou obstruées par des feuilles, de l'herbe ou de la neige. L'hiver, s'assurer que les hottes ne sont pas bloquées par de la neige et que du givre ne s'accumule pas sur la grille anti-aviaire.

IMPORTANT

Des hottes obstruées peuvent causer une modification de la pression de l'habitation/du bâtiment pouvant entraîner un gaspillage du produit de combustion des appareils de chauffage.

DÉPANNAGE

Tableau 1. Guide de dépannage.

Symptôme	Cause	Solution
Débit d'air inadéquat	<ul style="list-style-type: none"> Grille de 6 mm (1/4 po) de la hotte extérieure obstruée. 	<ul style="list-style-type: none"> Nettoyer les hottes ou événements extérieurs.
	<ul style="list-style-type: none"> Filtres obstrués. 	<ul style="list-style-type: none"> Retirer le filtre et le nettoyer.
	<ul style="list-style-type: none"> Noyau obstrué. 	<ul style="list-style-type: none"> Retirer le noyau et le nettoyer.
	<ul style="list-style-type: none"> Grilles de l'habitation fermées ou bloquées. 	<ul style="list-style-type: none"> Vérifier et ouvrir les grilles.
	<ul style="list-style-type: none"> Registres (le cas échéant) fermés. 	<ul style="list-style-type: none"> Ouvrir et régler les registres.
	<ul style="list-style-type: none"> Mauvaise alimentation sur le site. 	<ul style="list-style-type: none"> Faire vérifier la tension d'alimentation de l'habitation par un électricien.
	<ul style="list-style-type: none"> La tuyauterie restreint le débit d'air. 	<ul style="list-style-type: none"> Vérifier l'installation de la tuyauterie.
	<ul style="list-style-type: none"> Le réglage de vitesse est inadéquat. Le débit d'air du ventilateur est mal équilibré. 	<ul style="list-style-type: none"> Augmenter la vitesse du ventilateur. Faire effectuer l'équilibrage du débit d'air du ventilateur par un entrepreneur.
L'air d'arrivée est froid	<ul style="list-style-type: none"> Les grilles d'arrivée sont mal placées, le débit d'air peut irriter les occupants. 	<ul style="list-style-type: none"> Installer les grilles en hauteur sur les murs ou sous les plinthes électriques; installer un diffuseur ou des grilles montées sur le plafond pour éviter que l'air ne souffle directement sur les occupants (exemple : sur un sofa).
	<ul style="list-style-type: none"> Température extérieure très froide. 	<ul style="list-style-type: none"> Réduire la vitesse du ventilateur. Utiliser un petit chauffage de conduit (1 kW) pour tempérer l'air d'arrivée. La position du mobilier ou des portes fermées empêchent la circulation de l'air dans la maison. Si l'air d'arrivée est acheminé par le conduit de retour de l'appareil de chauffage, faire tourner le ventilateur de l'appareil de chauffage en continu pour assurer une distribution confortable de l'air de ventilation.
	<ul style="list-style-type: none"> Le débit d'air du ventilateur est peut-être mal équilibré. 	<ul style="list-style-type: none"> Faire effectuer l'équilibrage du débit d'air du ventilateur par un entrepreneur.
L'air d'arrivée est froid	<ul style="list-style-type: none"> Connexion incorrecte à la commande de 24 V externe. Une agrafe ou un clou crée un court-circuit basse tension externe. 	<ul style="list-style-type: none"> Vérifier que le câblage est correct. Vérifier qu'il n'y a pas de court-circuit externe.
	<ul style="list-style-type: none"> Vérifier le réglage du déshumidistat; il est peut-être réglé sur Arrêt. 	<ul style="list-style-type: none"> Régler le déshumidistat au réglage désiré.
	<ul style="list-style-type: none"> Le déshumidistat est désactivé lorsque la température extérieure est supérieure à 15 °C (60 °F) pendant 24 heures. 	<ul style="list-style-type: none"> Vérifier le voyant DEL sur le bloc de connexion et s'assurer qu'il y a un long clignotement suivi d'un clignotement court.

Symptôme	Cause	Solution
Les niveaux d'humidité sont trop élevés; de la condensation apparaît sur les fenêtres	Le déshumidistat est réglé trop haut	Régler le déshumidistat plus bas.
	<ul style="list-style-type: none"> La capacité du ventilateur n'est pas suffisante pour le jacuzzi, la piscine intérieure, etc. 	<ul style="list-style-type: none"> Couvrir les piscines et les jacuzzis lorsqu'ils ne sont pas utilisés.
	<ul style="list-style-type: none"> Style de vie des occupants. 	<ul style="list-style-type: none"> Éviter d'accrocher le linge à sécher, de remiser du bois et d'aérer le séchoir à linge à l'intérieur. Envisager de remiser le bois à l'extérieur.
	<ul style="list-style-type: none"> L'humidité pénètre dans la maison par un vide sanitaire non ventilé ou non chauffé. 	<ul style="list-style-type: none"> Aérer le vide sanitaire et y placer une barrière de vapeur.
	<ul style="list-style-type: none"> De l'humidité reste dans la salle de bains et la cuisine. 	<ul style="list-style-type: none"> Dimensionner les conduits de la salle de bains de façon à retirer l'air humide aussi efficacement que possible; utiliser un ventilateur de salle de bains pour retirer l'humidité supplémentaire.
	<ul style="list-style-type: none"> De la condensation se forme au printemps et à l'automne. 	<ul style="list-style-type: none"> Par temps humide et lors des changements de saison, de la condensation apparaît mais la qualité de l'air reste élevée lorsque le ventilateur est tant soit peu utilisé. Utiliser un régulateur assurant une ventilation par toutes saisons.
	<ul style="list-style-type: none"> La vitesse du ventilateur est réglée trop basse. 	<ul style="list-style-type: none"> Augmenter la vitesse du ventilateur.
	<ul style="list-style-type: none"> Le débit d'air du ventilateur est peut-être mal équilibré. 	<ul style="list-style-type: none"> Faire effectuer l'équilibrage du débit d'air du ventilateur par un entrepreneur.
Les niveaux d'humidité sont trop bas.	<ul style="list-style-type: none"> La commande du déshumidistat est réglée trop basse. 	<ul style="list-style-type: none"> Régler le déshumidistat plus haut.
	<ul style="list-style-type: none"> La vitesse de la soufflante du ventilateur est trop élevée. 	<ul style="list-style-type: none"> Réduire la vitesse de la soufflante du ventilateur.
	<ul style="list-style-type: none"> Style de vie des occupants. 	<ul style="list-style-type: none"> Augmenter l'humidité à l'aide d'humidificateurs.
	<ul style="list-style-type: none"> Le débit d'air du ventilateur est peut-être mal équilibré. 	<ul style="list-style-type: none"> Faire effectuer l'équilibrage du débit d'air du ventilateur par un entrepreneur.
Le ventilateur et/ou les conduits présentent une accumulation de givre.	<ul style="list-style-type: none"> Le débit d'air du ventilateur est mal équilibré. 	<ul style="list-style-type: none"> REMARQUE : Une accumulation minimale de givre est prévue sur les noyaux avant que l'unité lance les fonctions du cycle de dégivrage. Faire effectuer l'équilibrage du ventilateur par un entrepreneur en CVCA.
	<ul style="list-style-type: none"> Dysfonctionnement du système de dégivrage du ventilateur. 	<ul style="list-style-type: none"> Faire vérifier le système de dégivrage par un entrepreneur en CVCA.
Condensation ou accumulation de glace sur le conduit isolé vers l'extérieur.	<ul style="list-style-type: none"> Barrière de vapeur incomplète autour du conduit isolé. 	<ul style="list-style-type: none"> Appliquer du ruban et étanchéfier tous les joints. Appliquer du ruban adhésif sur tout trou et toute déchirure sur le revêtement de conduit extérieur.
	<ul style="list-style-type: none"> Trou ou déchirure dans le revêtement de conduit externe. 	<ul style="list-style-type: none"> S'assurer que la barrière de vapeur est complètement étanche.
Présence d'eau en bas du ventilateur.	<ul style="list-style-type: none"> Les bacs de récupération sont bouchés. Mauvaise connexion des tuyaux d'évacuation du ventilateur. 	<ul style="list-style-type: none"> Vérifier que le joint torique sur l'embout d'évacuation est bien ajusté.
	<ul style="list-style-type: none"> Le ventilateur n'est pas à niveau. 	<ul style="list-style-type: none"> Détecter toute pliure de la ligne.
	<ul style="list-style-type: none"> Les tuyaux d'évacuation sont obstrués. 	<ul style="list-style-type: none"> Mettre le ventilateur à niveau.
	<ul style="list-style-type: none"> L'échangeur de chaleur du ventilateur est mal installé. 	<ul style="list-style-type: none"> Vérifier les connexions d'évacuation de l'eau.
		<ul style="list-style-type: none"> S'assurer que l'eau s'évacue correctement du bac.

LISTE DES PIÈCES

Liste des pièces des HR/ER

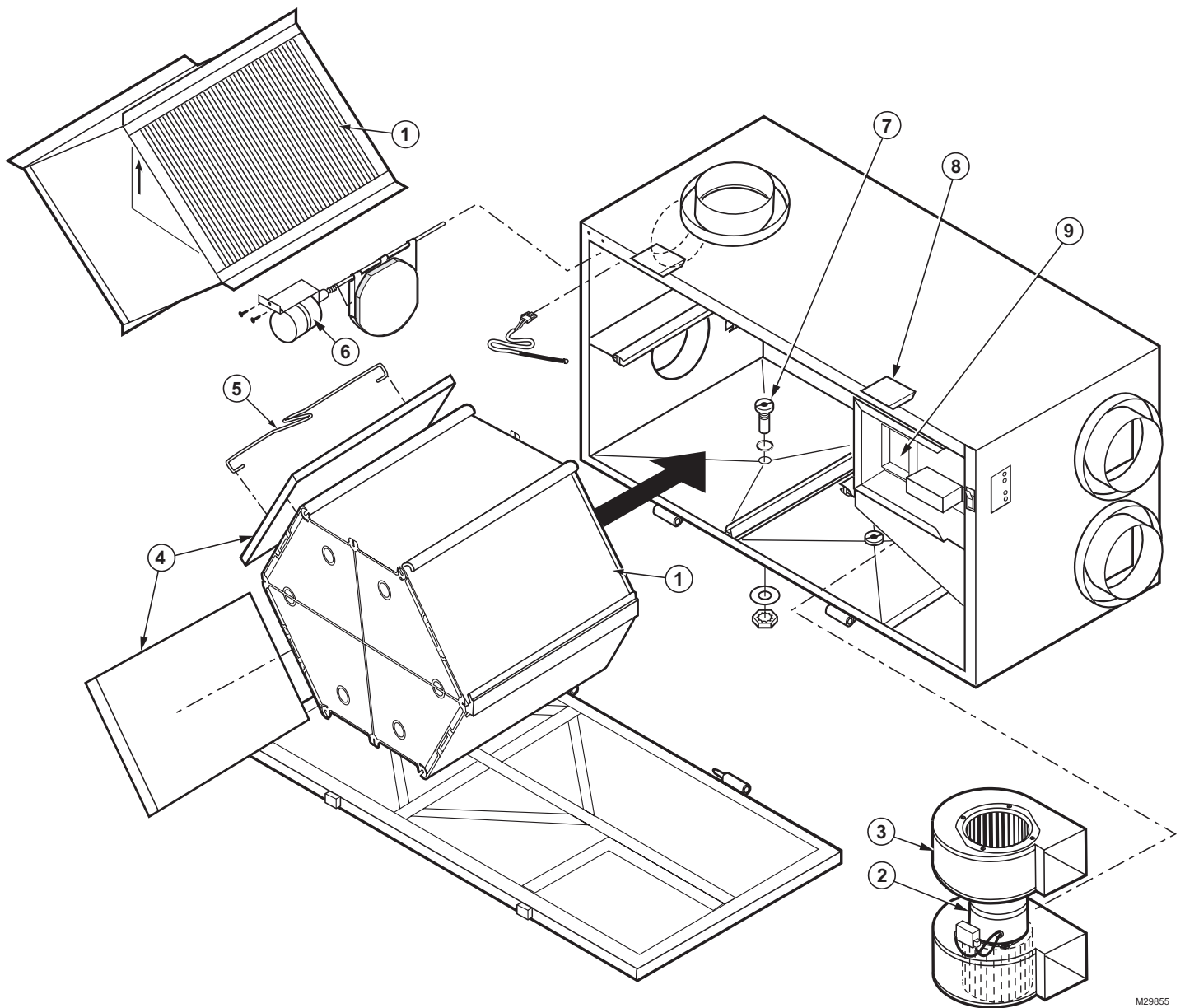
Référence d'article (Fig. 21)	Référence de pièce pour			Description
	HR150B/ HR200B	ER150B/ ER200B	ER150C/ ER200C	
1	209746			Noyau de transfert de chaleur, aluminium avec cadre en plastique
		32002074-001	32002074-001	Noyau de transfert d'énergie à débit croisé, avec glissières de guidage, forme losange pour les unités fabriquées avant août 2005*
		50048918-001	50048918-001	Noyau de transfert d'énergie universel avec glissières de guidage adaptées aux formes losange et carrée.
2	208359	208359	208359	Moteur de soufflante avec condensateur
3	50002341-001	50002341-001	50002341-001	Nécessaire de logement de soufflante, incluant logement supérieur et inférieure, pas de roues ni de moteur.
4	209723	50050728-001	50050728-001	Préfiltre en mousse, 2 unités
5	209722	Included with Prefilter	Included with Prefilter	Attache pour préfiltre en mousse (VRC)
6	209715	209715	N/A	Moteur de registre de dégivrage, bidirectionnel
7	50048693-001	50048693-001	N/A	Becs d'évacuation et nécessaire « T »
8	50048694-001	50048694-001	50048694-001	Verrou de porte, double largeur
9	50050832-001	50050832-001	50050832-001	Nécessaire de commande électronique (tableau de contrôle et autotransformateur)

* La date peut être déterminée par le numéro de série incluant la date en format MMJJAA.

Les articles grisés sont obsolètes – disponibles dans la limite de l'inventaire.

Liste des pièces accessoires non illustrées—Tous les modèles

Référence d'article	Référence de pièce	Description
6	W8150A1001	Régulateur de ventilation à apport d'air frais
7	50050477-001	Minuterie de ventilateur numérique, 20, 40, 60 minutes



M29855

Fig. 21. Vue éclatée des pièces référencées dans la liste des pièces des modèles HR/ER HR150/HR200 et ER150/ER200.

Spécifications

IMPORTANT

Les spécifications indiquées dans cette publication n'incluent pas les tolérances de fabrication normales. En conséquence, cette unité peut ne pas correspondre exactement aux spécifications indiquées. En outre, ce produit est testé et étalonné dans des conditions strictement contrôlées, et des différences de performance mineures peuvent avoir lieu si ces conditions sont différentes.

Modèles TRADELINE®

Les modèles TRADELINE sont sélectionnés et emballés de façon à fournir une facilité de stockage et de manipulation, ainsi qu'une valeur de remplacement maximale.

Modèles TRADELINE disponibles :

- Systèmes de ventilation à apport d'air frais HR150 et HR200 : Incluent le noyau de transfert de chaleur, les préfiltres, le ventilateur et la soufflante, et la commande de dégivrage.
- Systèmes de ventilation à apport d'air frais ER150 et ER200 : Inclut noyau de transfert d'humidité et de chaleur à enthalpie, préfiltres, ventilateur et soufflante, et commande de dégivrage (commande de dégivrage sur les modèles B uniquement).
- HR150B : Noyau à débit croisé en aluminium, 150 pi³/min., commande manuelle et commande de dégivrage.
- HR200B : Noyau à débit croisé en aluminium, 200 pi³/min., commande manuelle et commande de dégivrage.
- ER150B : Noyau de transfert de chaleur et d'humidité, 150 pi³/min., commande manuelle et commande de dégivrage.
- ER150C : Noyau de transfert de chaleur et d'humidité, 150 pi³/min., commande manuelle, pas de commande de dégivrage.
- ER200B : Noyau de transfert de chaleur et d'humidité, 200 pi³/min., commande manuelle et commande de dégivrage.
- ER200C : Noyau de transfert de chaleur et d'humidité, 200 pi³/min., commande manuelle, pas de commande de dégivrage.

Couleur

Blanc

Caractéristiques électriques

- Puissance nominale : 120 V c.a., 60 Hz
- Intensité nominale : 1,4 A
- Consommation :

Mode	Watts	
	HR150/ER150	HR200/ER200
Basse vitesse	63	70
Haute vitesse	173	182

Montage

La plupart des modèles se montent dans un espace climatisé tel qu'un sous-sol, une buanderie, un hall ou un placard. Peuvent aussi être montés dans un grenier climatisé.

REMARQUE: Les modèles ER150C et ER200C peuvent être installés dans les espaces non climatisés, tels que les greniers et les garages dans les régions où la température extérieure ne descend pas en dessous de 0 °C (32 °F).

Homologations

- Institut de ventilation résidentielle (HVI) : Certifié.
- Association canadienne de normalisation (CSA) : Approuvé.
- ETL : Certifié selon la norme UL1812.

Poids installé

- HR150/HR200 : 32 kg (70 lb).
- ER150/ER200 : 32 kg (70 lb).

Homologué HVI

HR150, HR200, ER150, ER200

Performance de la ventilation

Voir les Fig. 22 et 24.

Dimensions

Voir les Fig. 23 et 25.

Accessoires

Voir la liste des pièces accessoires après le Guide de dépannage.

HR150, HR200

Performances nominales basées sur CAN/CSA-C439-88.

Récupération de température maximale

78%

Efficacité sensible

HR150 à 67 pi³/min. (32 l/s) à 0 °C (32 °F) : 76 %.
HR200 à 119 pi³/min. (56 l/s) à 0 °C (32 °F) : 67 %.

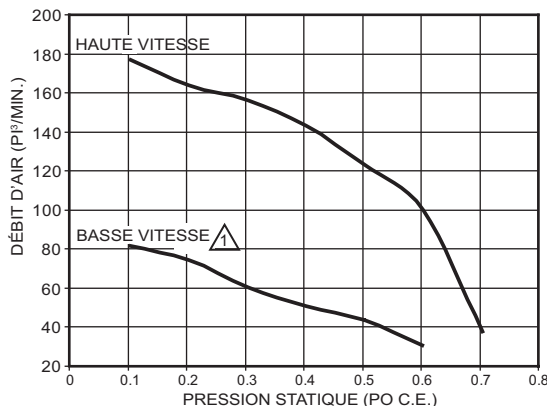
ER150, ER200

Efficacité sensible

ER150 à 64 pi³/min. (30 l/s) à 0 °C (32 °F) : 81 %.
ER200 à 116 pi³/min. (55 l/s) à 0 °C (32 °F) : 76 %.

Efficacité de récupération totale

ER150 à 65 pi³/min. (30 l/s) à 35 °C (95 °F) : 47 %.
ER200 à 117 pi³/min. (30 l/s) à 35 °C (95 °F) : 50 %.

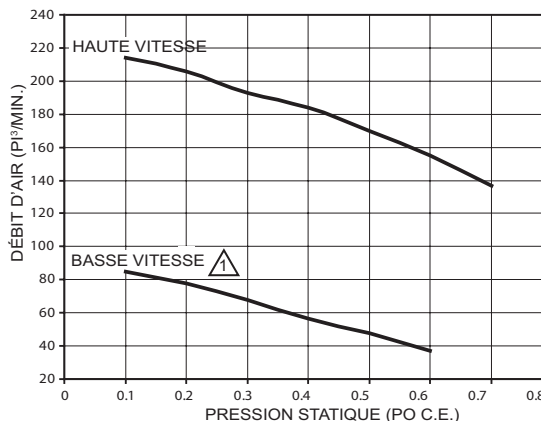


⚠ DONNÉES DU FABRICANT

PERFORMANCE DE VENTILATION DU HR150 (HV1)

PRESSION STATIQUE EXT.		DÉBIT D'AIR FOURNI NET	
(Pa)	(po c.e.)	(l/s)	(pi³/min)
25	.1	83	177
50	.2	77	164
75	.3	73	156
100	.4	67	143
125	.5	58	123
150	.6	47	100
175	.7	18	38

MF29743



⚠ DONNÉES DU FABRICANT

PERFORMANCE DE VENTILATION DU HR200 (HV1)

PRESSION STATIQUE EXT.		DÉBIT D'AIR FOURNI NET	
(Pa)	(po c.e.)	(l/s)	(pi³/min)
25	.1	101	214
50	.2	97	206
75	.3	91	193
100	.4	87	184
125	.5	80	170
150	.6	73	155
175	.7	65	137

MF29744

Fig. 22. Performance de la ventilation des modèles HR150 et HR200.

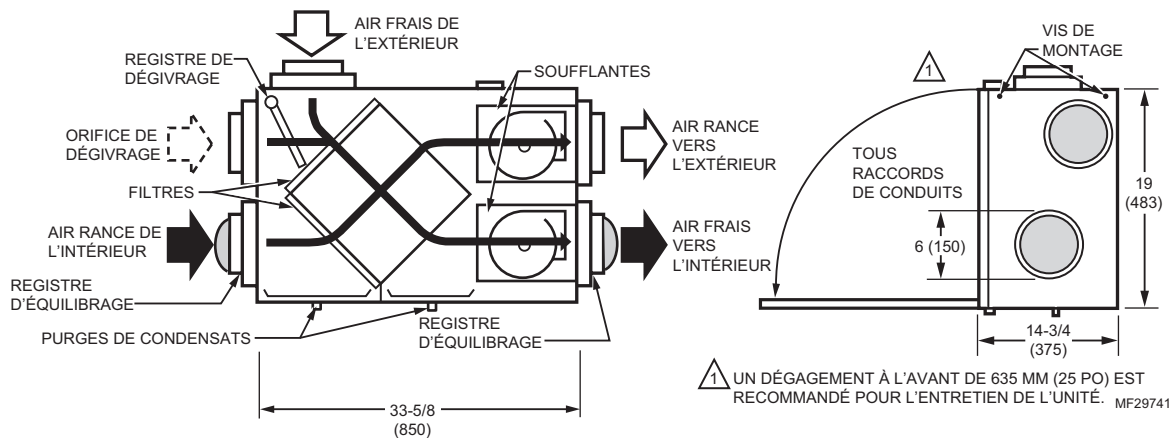
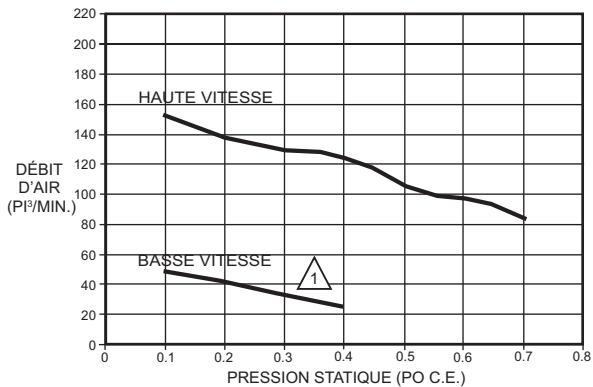


Fig. 23. Dimensions en po (mm) des modèles HR150 et HR200.

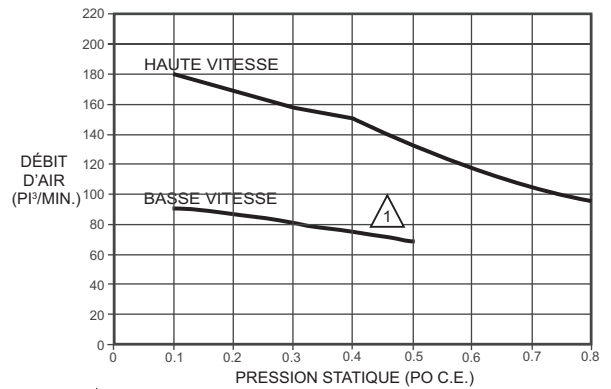


1 DONNÉES DU FABRICANT.

PERFORMANCE DE LA VENTILATION DU MODÈLE ER150
AIR FOURNI NET À BASSE VITESSE EN PI³/MIN. (l/s) CONTRE LA PRESSION STATIQUE EXTERNE.

P.S.E. (PRESSION STATIQUE EXTERNE) POUCES (Pa)	PI³/MIN. (l/s)
0.1 (25)	151 (71)
0.2 (50)	141 (67)
0.3 (75)	132 (62)
0.4 (100)	124 (59)
0.5 (125)	107 (50)
0.6 (150)	98 (46)
0.7 (175)	81 (38)
0.8 (200)	60 (28)

MF29836



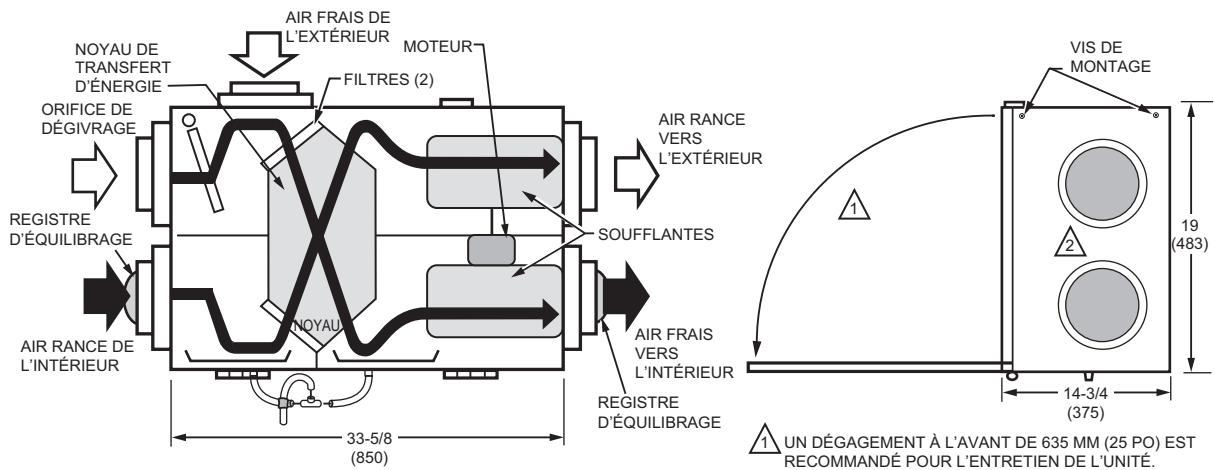
1 DONNÉES DU FABRICANT.

PERFORMANCE DE LA VENTILATION DU MODÈLE ER200
AIR FOURNI NET À BASSE VITESSE EN PI³/MIN. (l/s) CONTRE LA PRESSION STATIQUE EXTERNE.

P.S.E. (PRESSION STATIQUE EXTERNE) POUCES (Pa)	PI³/MIN. (l/s)
0.1 (25)	180 (85)
0.2 (50)	169 (80)
0.3 (75)	157 (74)
0.4 (100)	146 (69)
0.5 (125)	132 (62)
0.6 (150)	118 (56)
0.7 (175)	101 (48)
0.8 (200)	82 (39)

MF29837

Fig. 24. Performance de la ventilation des modèles ER150 et ER200.



1 UN DÉGAGEMENT À L'AVANT DE 635 MM (25 PO) EST RECOMMANDÉ POUR L'ENTRETIEN DE L'UNITÉ.

2 TOUS LES RACCORDES DE CONDUITS SONT 6 (150).

MF29856

Fig. 25. Dimensions en pouces (mm) des modèles ER150 et ER200.

Solutions de régulation et d'automatisation

Honeywell International Inc.
1985 Douglas Drive North
Golden Valley, MN 55422

Honeywell Limited–Honeywell Limitée
35 Dynamic Drive
Toronto, Ontario M1V 4Z9
<http://yourhome.honeywell.com>

© Marque de commerce déposée aux É.-U.
© 2010 Honeywell International Inc.
68-0171EF—01 M.S. 03-10
Imprimé aux États-Unis

Honeywell