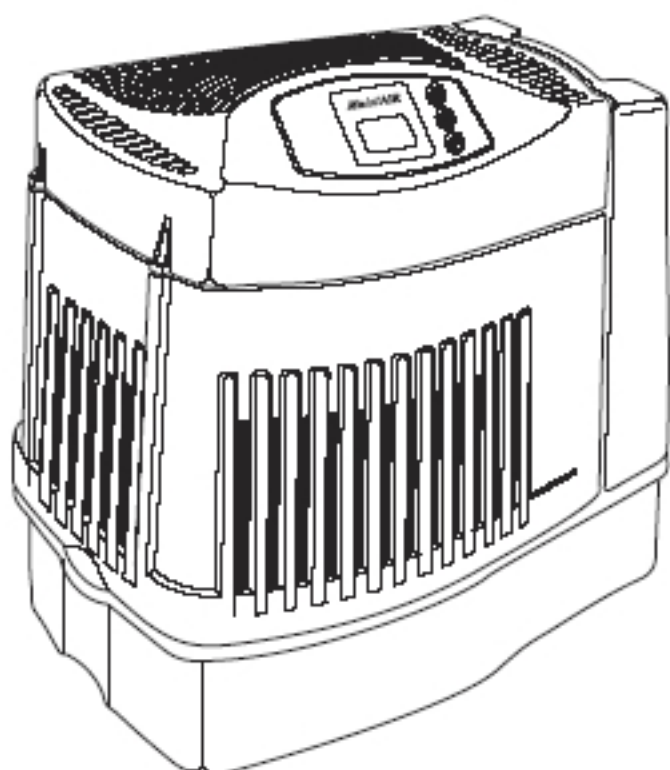


CAUTION: READ ALL INSTRUCTIONS CAREFULLY BEFORE INSTALLATION.
SAVE THIS OWNER'S MANUAL FOR FUTURE REFERENCE.



Model No.
MA 0800 0

MoistAIR[®]_{MD}


EMERSON.

MA 0800 Evaporative Console Humidifier Owner's Manual

Limited Warranty

All products covered by this Owner's Manual are warranted against defects in workmanship and materials for one year from the date of sale except for motors, which are warranted for two years. This warranty does not apply to damage from accident, misuse, alteration, nor where the connected voltage is more than 5% above the nameplate voltage, nor to the equipment or products being improperly installed or wired or maintained in violation of this Owner's Manual. **THIS IS THE SOLE AND EXCLUSIVE WARRANTY GIVEN BY MANUFACTURER WITH RESPECT TO THE PRODUCTS AND IS IN LIEU OF AND EXCLUDES ALL OTHER WARRANTIES AND CONDITIONS, EXPRESS OR IMPLIED, ARISING BY OPERATION OF LAW OR OTHERWISE, INCLUDING WITHOUT LIMITATION, MERCHANTABILITY AND/OR FITNESS FOR A PARTICULAR PURPOSE.** No employee, agent, dealer or other person is authorized to give any warranties or conditions on behalf of the manufacturer. The customer shall be responsible for all costs incurred in the removal or reinstallation and shipping of the product for repairs. Within the limitations of this warranty, inoperative units should be returned, with a copy of the sales receipt, freight prepaid to an authorized repair service center and the manufacturer will repair or replace the product, at its option, at no charge to the customer with return freight paid by the manufacturer. It is agreed that such repair or replacement is the exclusive remedy available from the manufacturer and that **THE MANUFACTURER IS NOT RESPONSIBLE FOR DAMAGES OF ANY KIND, INCLUDING INCIDENTAL AND CONSEQUENTIAL DAMAGE OR LOSS OF PROFITS OR REVENUES.** Some provinces and states do not allow the exclusion or limitation of incidental or consequential damages, so the above exclusion or limitation may not apply in some cases.

The warranty gives the customer specific legal rights, and the customer may also have other rights which vary from province to province, or state to state.

SALES RECEIPT REQUIRED AS PROOF OF PURCHASE FOR WARRANTY CLAIMS.

GENERAL SAFETY INSTRUCTIONS

Safety Signal Words

DANGER: means if the safety information is not followed someone will be seriously injured or killed.

WARNING: means if the safety information is not followed someone could be seriously injured or killed.

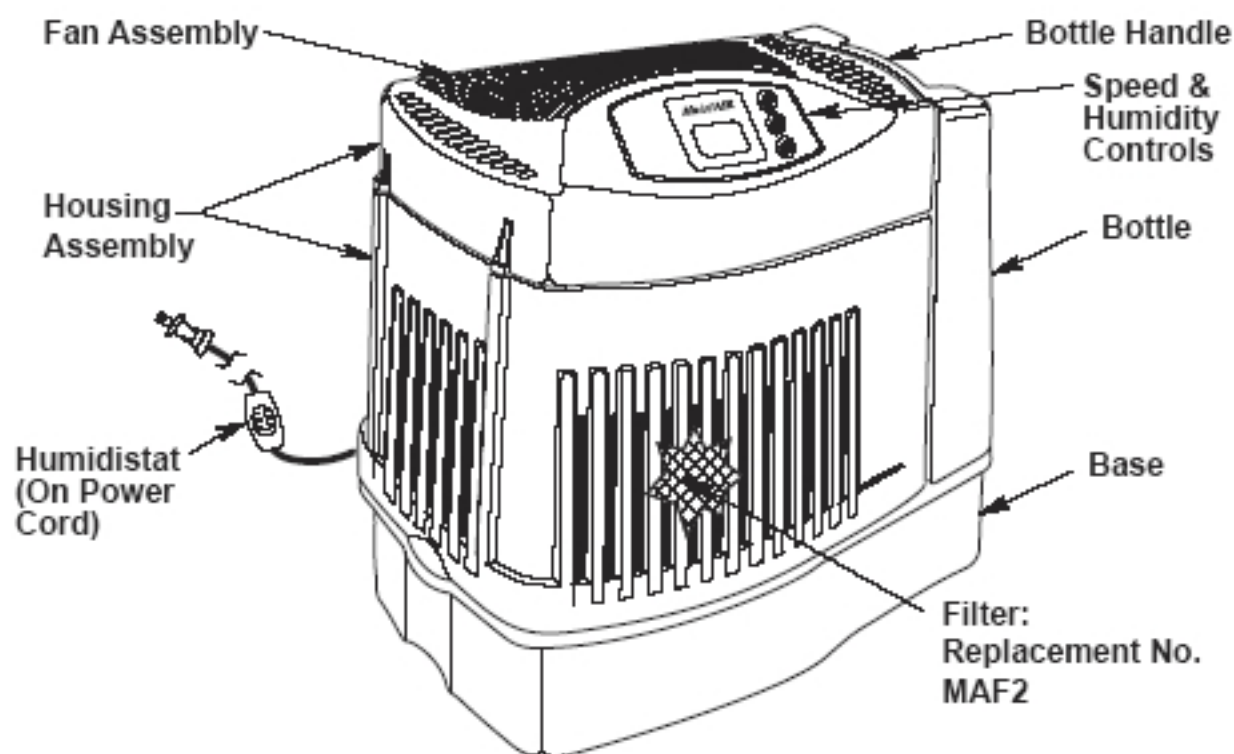
CAUTION: means if the safety information is not followed someone may be injured.

1. To reduce the risk of fire or shock hazard, plug humidifier directly into a 120V, A.C. electrical outlet. Do not use extension cords.
2. Keep the electric cord out of traffic areas. To reduce the risk of fire hazard, never put the electric cord under rugs, near heat registers, radiators, stoves or heaters.
3. Always unplug the humidifier before moving it, removing the fan assembly section, before cleaning, or whenever the humidifier is not in service.
4. Keep the humidifier clean.

5. Do not put foreign objects inside the humidifier.
6. Do not allow to be used as a toy. Close attention is necessary when used by or near children.
7. Never use your humidifier while any part is missing or damaged in any manner.
8. To reduce the risk of electrical hazard or damage to humidifier, do not tilt, jolt or tip humidifier while unit is running.
9. To reduce the risk of damage to humidifier, unplug when not in use.
10. To reduce the risk of accidental electrical shock, do not touch the cord or controls with wet hands.
11. Note the warning label shown below.

WARNING: To reduce risk of fire, electric shock, or injury always unplug before servicing or cleaning.

Know Your Humidifier



Description	MA 0800
* Output/24 hrs	8 Gallons/30.2 Litres
Capacity of Bottle	1.2 Gallons/4.54 Litres
Capacity of Base	1.2 Gallons/4.54 Litres
* Sq. Ft. Coverage	1700
Fan Speeds	3
Replacement Filter	MAF2
Auto Humidistat	Yes
Auto Shut Off	Yes
Controls	Electronic (Push Button)
Rubber Feet	6
CUL Listed	Yes
Volts	120 A.C.
Hertz	60
Amps (High Speed)	1.2
Watts (High Speed)	81

* Based on an area with average insulation and an 8 foot ceiling height

How Your Humidifier Works

Your new MoistAIR humidifier is designed to satisfy home humidity requirements through the principle of evaporation of water in the air.

Once the filter becomes saturated, air is drawn in, passes through the filter and moisture is absorbed into the air.

All evaporation occurs in the humidifier so any residue remains in the filter.

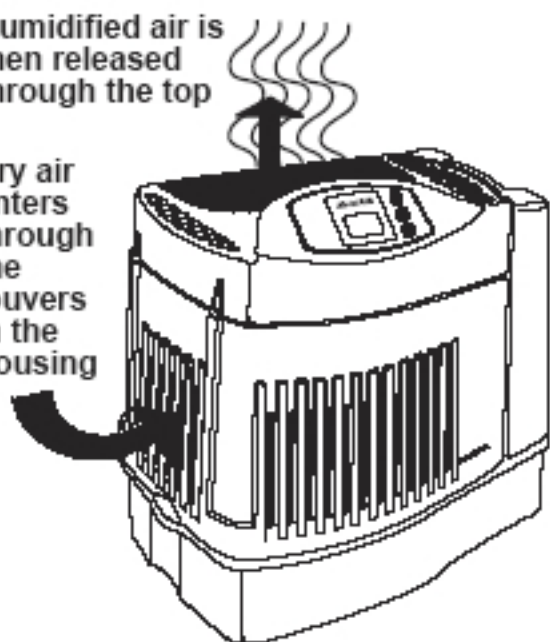
This natural process of evaporation virtually eliminates white dust.

CAUTION: To reduce the risk of injury, fire or damage to humidifier, use only cleaners specifically recommended for humidifiers. Never use flammable, combustible or poisonous materials to clean your humidifier.

To reduce the risk of scalds and damage to humidifier, never put hot water in humidifier.

Humidified air is then released through the top

Dry air enters through the louvers in the housing



Step 1. Getting Your Humidifier Up and Running —

Once removed from its carton, remove all packing materials. Verify the filter is properly seated (See page 10).

Step 2. Location and Electrical Hook Up

WARNING: For your own safety, do not use humidifier if any parts are damaged or missing.

Selecting A Location

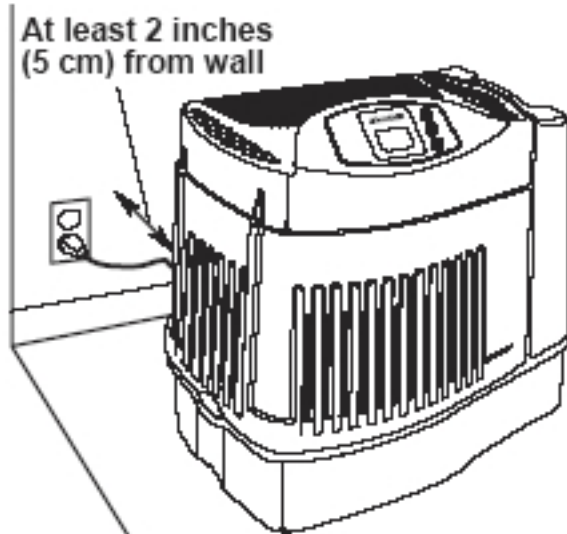
Place humidifier on a flat level surface, take extra care in leveling when placing the unit on carpet. Position the humidifier where the most humidity is needed or where the most air will be circulated throughout the house such as near a cold air return.

Moist air (humidity) produced will disperse into the whole house, but the area closest to the unit will have the highest humidity. If the unit is positioned close to a window, condensation may form on the window pane. If this occurs the unit should be repositioned in another location.

NOTE: Due to release of cool, moist air from humidifier, it is best to direct air away from thermostat and hot air registers and to position humidifier next to an inside wall. Unit should not be placed where cold air from outside walls or warm air from a hot air register blows directly on it.

Positioning The Unit

The humidifier should be positioned with the back (cord exit side) and left side, at least 2 inches (5 centimetres) away from the wall. Air needs to enter through all of the louvers in the housing assembly in order for the humidifier to operate at peak efficiency.



NOTE: Be sure that the humidistat, which is located on the power cord, is free from obstruction and away from any hot air source.

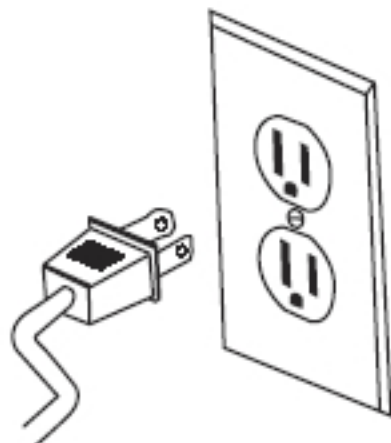
Electrical Hook-Up

Locate nearest 120V A.C. wall socket in the location desired, preferably on inside wall. With the humidifier in the desired location, route the electrical cord safely so no one will trip or upset the humidifier. Plug in the electrical cord.

WARNING: To reduce the risk of fire or shock hazard, humidifier should be plugged into a 120V A.C. outlet. Do not use extension cords.

To reduce the risk of electrical shock, this humidifier has a polarized plug (one blade is wider than the other). This plug will fit in a polarized outlet only one way.

If the plug does not fit fully in the outlet, reverse plug. If it still does not fit, contact a qualified electrician to install the proper outlet. Do not change the plug in any way.



Step 3. Water Fill

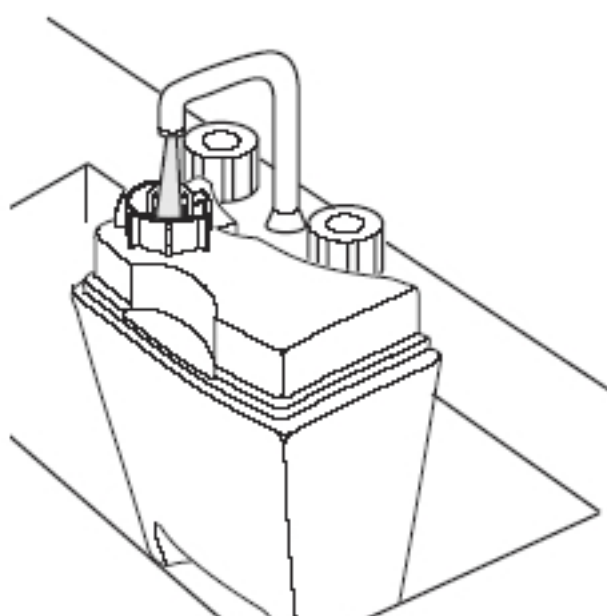
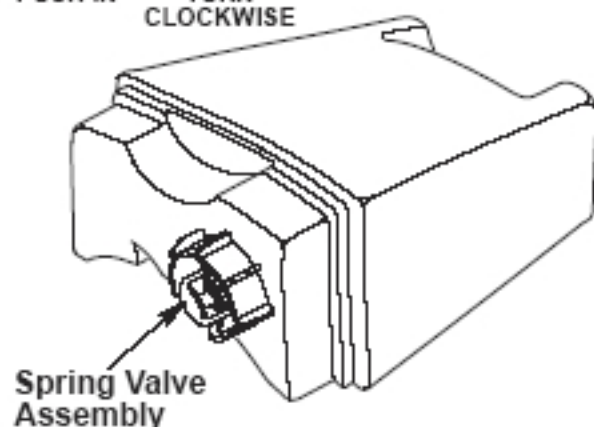
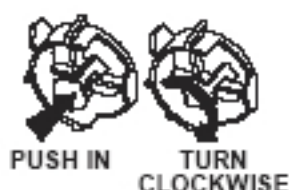
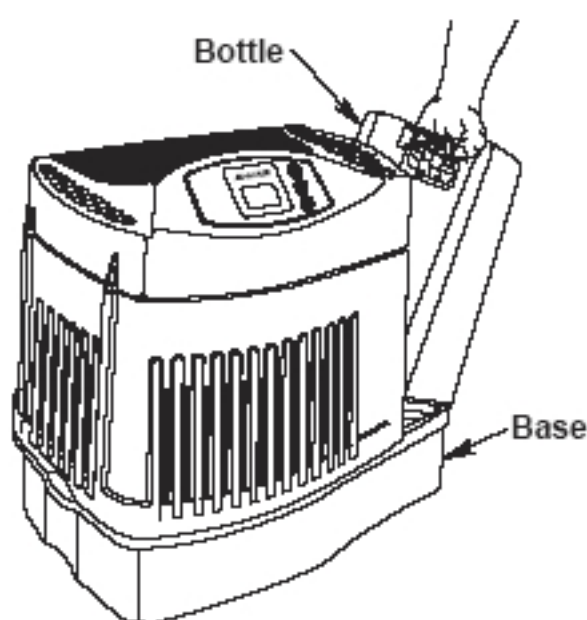
WARNING: To reduce the risk of fire or shock hazard, do not pour or spill water into control or motor area. If controls get wet, let them dry completely and have unit checked by authorized service personnel before plugging in.

After the humidifier is positioned where it will be operating you are ready to fill the humidifier. The bottle lifts straight up and away from the base. Take care not to bump or damage fill valve assembly on the bottom of the bottle.

Invert the bottle. Press the valve stem button into the bottle and turn clockwise to lock in open position. Place bottle under the faucet. Fill the bottle, being careful not to allow any debris to get in the bottle. Debris may interfere with the valve seating. Once the bottle is full, press the valve stem button and turn counter clockwise to release and close.

CAUTION: Use only EPA Registered Bacteriostat. Under no circumstances should you use water treatment products designed for Roto belt or Ultrasonic humidifiers.

Place the water bottle back into the humidifier base. When positioned properly, the plunger will open and the water will flow into the base. The base will hold the entire contents of the water bottle. Once the bottle is empty, remove it and repeat the filling process. The humidifier is now filled to capacity. To benefit from less frequent filling let the humidifier exhaust both the water from the bottle and the base before filling.



Step 4. Operating the Controls

Where you set your desired humidity levels depends on your personal comfort level, outside temperature and inside temperature. A starting set point of 30% - 40% **ROOM** humidity is recommended but there may be conditions that require a different setting.


IMPORTANT: Water damage may result if condensation starts to form on windows or walls. Humidity **SET** point should be lowered until condensation no longer forms. We recommend room humidity levels do not exceed 50%.

When Outdoor Temperature is:		Recommended Indoor Relative Humidity is:
-10° F	-24° C	20%
2° F	-18° C	25%
10° F	-12° C	30%
20° F*	-6° C*	35%

* and above

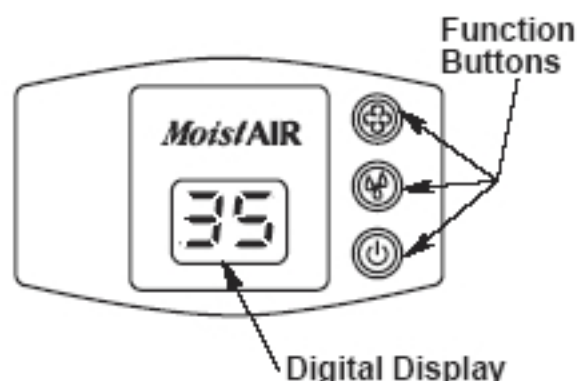
To Operate the Controls

Digital Display

Press the power button once to turn the unit on* . Initially there is a slight delay while the electronics calibrate. Two bars (- -) appear during this time. Once calibration is complete a **ROOM** humidity reading between 20% - 95% will be displayed. A flashing 20 display indicates that the room humidity is less than 20%.

NOTE: The default settings at initial startup are (**LOW**) **F1** fan speed and **65%** **SET** humidity. After desired settings are selected by the user, they remain as long as the unit remains plugged in and there is no power interruption. If the unit is unplugged the **original** default settings are employed.

* Humidifier fan should operate at initial start up. If it does not, refer to "Fan not operating (digital display is illuminated)" in the "Trouble Shooting" section on page 12 of this manual.

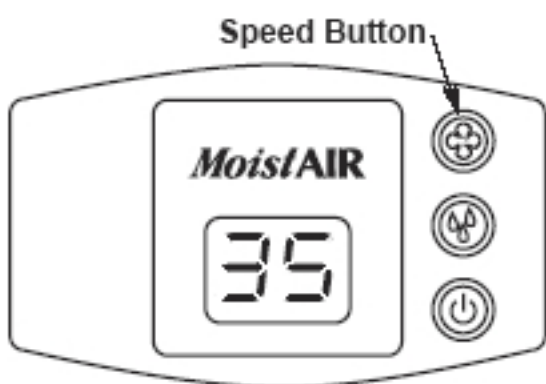


Operating the Controls (cont'd.)

Speed Button

This humidifier is equipped with a 3-speed fan control. Initially depressing the speed button will display the current speed setting. Each push of the speed button advances the mode through the settings of (HIGH) F3, (MEDIUM) F2 and (LOW) F1.

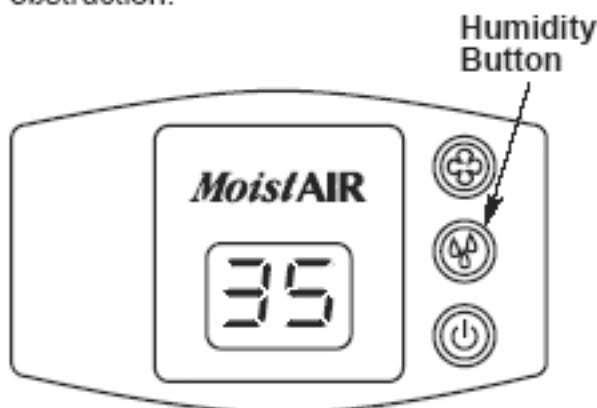
The selected setting is displayed on the digital readout. The higher the setting, the faster water is evaporated and released into the air. F1 (LOW) is the quietest setting and is provided for conditions that do not require a rapid evaporation rate.



Humidity Control

This button allows you to adjust the humidity to suit your needs. This humidifier will automatically cycle on and off as required to maintain the selected setting. The readout displays both actual (ROOM) and desired (SET) humidity percentage (%) settings when humidity control button is pressed. The ROOM readout has a range of 20% to 95% RH. If the room humidity level is equal to or less than 20% RH the display will show a flashing 20.

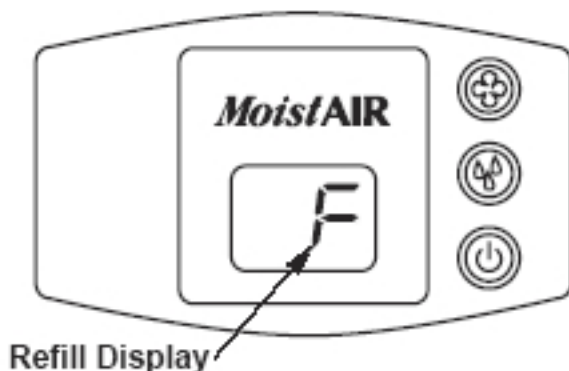
The SET readout has a range of 25% to 65% RH and is adjusted in increments of 5%. Initially depressing the humidity button will display the current humidity setting. Each additional press of the button increases the setting by 5%. A SET point of 65% RH operates the humidifier continuously regardless of the ROOM reading. The humidistat that senses the readings is located on the power cord. Insure that it is free from obstruction.



Using Your Humidifier

Refill Display

For maximum run time both the bottle and the base should be filled. When both the bottle and the base are empty, the display alternates the room humidity reading and "F" (FILL), informing additional water is required.

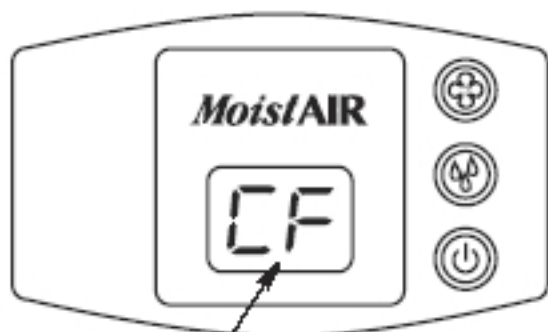


Check Filter Indicator

The ability of any humidifier to efficiently supply humidity output relies heavily on the condition of the filter. As the filter loads with impurities it gradually loses its wicking capability. When this happens, moisture output is reduced and the humidifier has to work longer to satisfy the selected setting. This humidifier has a check filter reminder timed to appear after 720 hours of operation. When the display shows an alternating "CF" and "room humidity" setting at 5 second intervals it is a reminder to check the filter condition.

NOTE: Some areas have high water mineral content causing the need for more frequent filter changes.

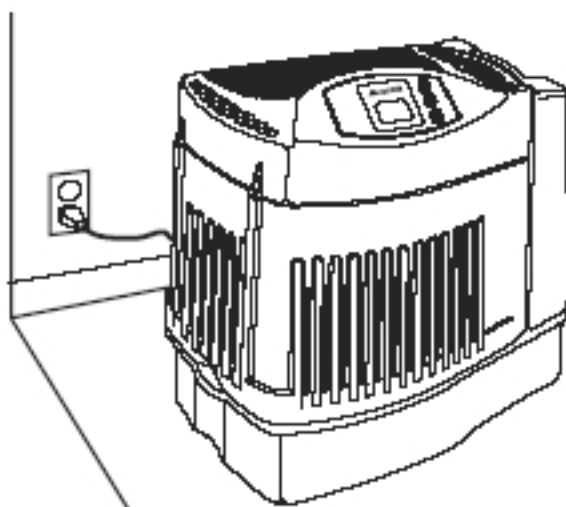
Refer to Replacement and Care of Filter on page 10. If a build-up of deposits or severe discoloration is evident replace the filter to restore maximum efficiency.



Check Filter Display

Humidistat

The humidistat located on the power cord senses the percentage of humidity in the air. It causes the humidifier to cycle on and off to maintain the selected humidity **SET** point. The fan will turn on if the "ROOM" reading falls 3% below the **SET** point and will continue to run the humidifier until a reading of 1% above the **SET** point is achieved. The fan will turn off until the **ROOM** reading falls 3% below the **SET** point again.



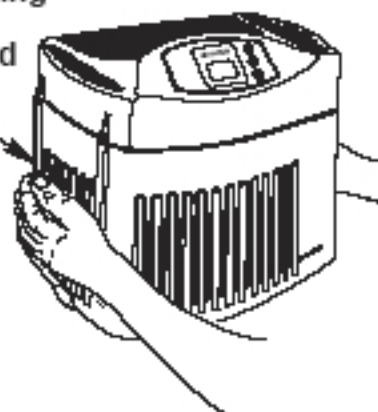
NOTE: Be sure that the humidistat, which is located on the power cord, is free from obstruction and away from any hot air source.

Replacement and Care of Filters

WARNING: To reduce the risk of shock or injury from moving parts, always unplug humidifier before removing or replacing any parts.

CAUTION: To help retard bacteria growth and keep maximum efficiency, the filter should be replaced at least once per season, or more often under hard water conditions. Use MoistAIR MAF2 recommended replacement filter.

Grasp housing assembly securely and lift off

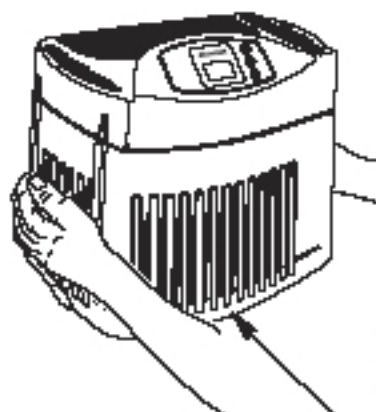
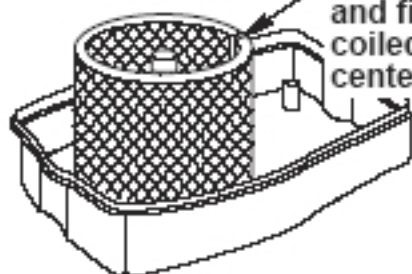


Replace the evaporative wicking filter at least once per humidification season or more depending on water conditions in your area.

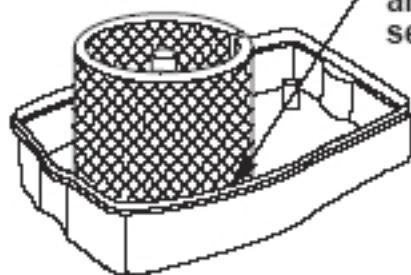
Filter Replacement

1. Unplug humidifier. Before removing the filter, we recommend moving the humidifier to an area where floor coverings are not susceptible to water damage. (i.e. kitchen or bath areas.)
2. Remove the water bottle and set aside. Be sure not to bump or damage the fill valve.
3. Grasp the housing assembly and lift straight up and away from the base and set aside. The filter is now accessible.
4. Take note of the filter position. Remove the filter. You may want to clean the base at this time. See the "Cleaning and Maintenance" section of this manual.
5. Install a new filter (MAF2) into the base. Coil the filter and position it between the uprights in the bottom of the base. The start and finish of the coil should be captured at the center of the base (see diagram) and the filter should be resting on the floor of the base.
6. Return the housing assembly to the top of the base. Reposition the humidifier to its operating position.
7. The humidifier is now ready to be filled for operation.

Position start and finish of coiled filter at center of base



Align housing assembly bottom with top of base and reposition securely



Cleaning and Maintenance

WARNING: To reduce the risk of injury, fire or damage to humidifier, use only cleaners specifically recommended for humidifiers. Never use flammable, combustible or poisonous materials to clean your humidifier. To reduce the risk of scalds and damage to humidifier, never put hot water in humidifier.

CAUTION: Local water purity varies from area to area and under certain conditions water impurities and airborne bacteria may promote the growth of microorganisms in the reservoir of the humidifier. To retard bacteria growth that may cause odors and be harmful to your health, use only MoistAIR replacement filters. We also recommend using EPA approved bacteriostat, and humidifier cleaner, available at your local store.

Step 1

To make cleaning easier, the humidifier base should be empty and completely dried out. To accomplish this, use the following method:

- Allow the humidifier to run until the REFILL message "F" illuminates and the automatic shutoff has stopped the humidifier fan.
- Unplug humidifier.

WARNING: To reduce the risk of shock, always unplug humidifier before cleaning or servicing. If humidifier is not un-plugged, fan could start after housing is removed.

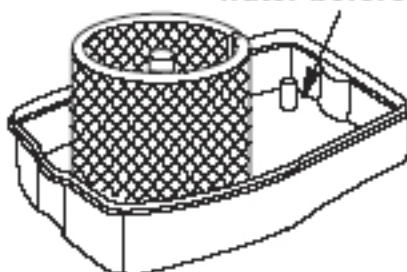
Step 2

To Remove Parts

See "Replacement and Care of Filters" page 10.

NOTE: There may be a little water still in the base. Carefully dump the water out or remove with a sponge.

NOTE: Remove excess water before cleaning



Step 3

Bi-Weekly Maintenance

Removing Scale

- Fill the humidifier base with one 8 oz. cup (236 milliliters) of undiluted white vinegar. Let solution stay 20 minutes.
- Clean all interior surfaces with a soft brush. Dampen a soft cloth with undiluted white vinegar and wipe out the base to remove scale.
- Rinse thoroughly with clean warm water to remove scale and cleaning solution.

Disinfecting Base

- Pour 1/2 gallon (1.89 litres) of water and 1/2 teaspoon (2.5 millilitres) chlorine bleach into the base. Let solution stay for 20 minutes, carefully swishing every few minutes. Wet all surfaces normally exposed to water.
- Empty base after 20 minutes. Rinse with water until bleach smell is gone. Allow unit to dry out completely.

NOTE: The water bottle should be cleaned in the same manner as the base. Rinse thoroughly with clean water after all steps are complete.

End of Season Maintenance

- Follow "Bi-Weekly Maintenance" instructions at end of humidification season.
- Remove filter.
- Let humidifier dry completely before storing.
- Store in cool, dry location.
- Install a new filter in clean humidifier before next season begins.

NOTE: "Bi-Weekly Maintenance" procedure is also recommended if you do not plan to run the humidifier for one week or more.

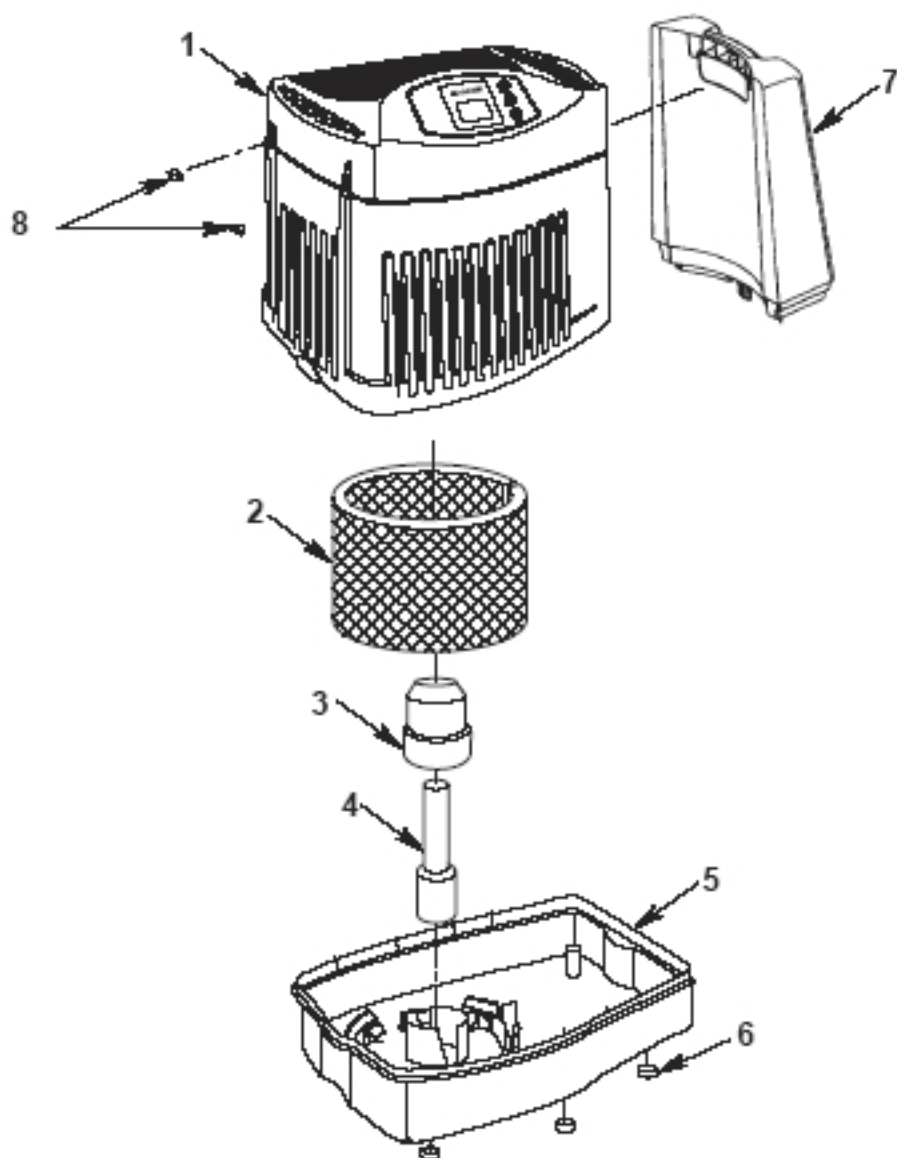
Troubleshooting

Trouble	Probable Cause	Remedy
Digital display not illuminated.	<ul style="list-style-type: none"> No Power. Power button has not been depressed. 	<ul style="list-style-type: none"> Check 120 volt power source. Press power button once to turn on.
Fan not operating (digital display is illuminated).	<ul style="list-style-type: none"> ROOM humidity level is not 3% or more below SET humidity level. Reservoir is empty. 	<ul style="list-style-type: none"> Raise SET humidity level if desired. Increase fan speed. Fill humidifier with water.
Fan running continuously.	<ul style="list-style-type: none"> SET humidity level is 65%. ROOM humidity level has not reached 1% or more above SET humidity level. 	<ul style="list-style-type: none"> A SET humidity percentage of 65% operates fan continuously. Adjust SET level between 25% - 60%. Continue to run until desired humidity level is achieved. This may take up to 48 hours initially.
Poor evaporation of water.	<ul style="list-style-type: none"> CHECK FILTER message flashing. Mineral buildup on filter. 	<ul style="list-style-type: none"> Change to a fresh new filter. NOTE: Local water varies from area to area and under certain conditions minerals will build up more rapidly in the filter.
Bottle empties completely.	<ul style="list-style-type: none"> This is normal for initial filling. 	<ul style="list-style-type: none"> Refill bottle for maximum run time.
Bottle continues to empty after complete filling.	<ul style="list-style-type: none"> Air is entering water bottle. 	<ul style="list-style-type: none"> Check for leak in water bottle. Ensure fill valve position is turned to closed and valve has no interfering debris.
Bottle not emptying.	<ul style="list-style-type: none"> Spring Valve Assembly damaged or missing post in bottom of base. Base full of water. 	<ul style="list-style-type: none"> Check orientation of bottle. Reposition so that fill valve on bottom of bottle is depressed by post in bottom of base. The base will hold the contents of water bottle (1.2 gallons). Continue to run humidifier to deplete water from base.

Trouble	Probable Cause	Remedy
"CF" message does not appear even when filter is dirty or humidifier performance is clearly reduced.	<ul style="list-style-type: none"> • Loss of power or a power failure has caused the CF message to prematurely reset. 	<ul style="list-style-type: none"> • Replace filter.
Display blinks or fan moves slightly when humidifier is plugged in.	<ul style="list-style-type: none"> • Normal 	<ul style="list-style-type: none"> • No action required.
Alternating "F" and room humidity displayed.	<ul style="list-style-type: none"> • Reservoir is empty. 	<ul style="list-style-type: none"> • Fill humidifier with water.
Alternating "CF" and room humidity displayed.	<ul style="list-style-type: none"> • Filter may be dirty. 	<ul style="list-style-type: none"> • Replace filter. • Unplug unit for 30 seconds and replug in to clear display.

Repair Parts

Parts List for MoistAIR Humidifier Model No. MA 0800 0



**Parts List for MoistAIR Humidifier
Model No. MA 0800 0**

Always order by part number - Not by key number

Key No	Part No.	Description
1	MA 0800 0	Housing, Upper Assembly (includes all parts 1-9)
2	MAF2	† Filter
3	831188-1	Support, Float
4	831189	Float, Reservoir
5	831187-1	Base
6	831190	Foot Rubber
7	831199	Bottle Assembly
8	831207	Cap, Screw
9	SP6599	Owner's Manual (not shown)

* Standard Hardware Item - May be purchased locally

† Stock item - Purchase locally or call 1-800-654-3545 from the USA or 416 833 7062 from Canada to order.

- Any attempt to repair the control assembly or motor may create a hazard unless repair is done by a qualified service technician.

To order parts, call:

USA 1-800-654-3545

Canada 416 833 7062

FOR TECHNICAL HELP, CALL
(800) 654-3545 FROM USA OR (888) 744-4687 FROM CANADA
(Please have complete model number)

MoistAIR[®]



EMERSON[®]

Emerson Tool Company

For more information about MoistAIR[®] humidifiers, visit our website at
www.moistair.com