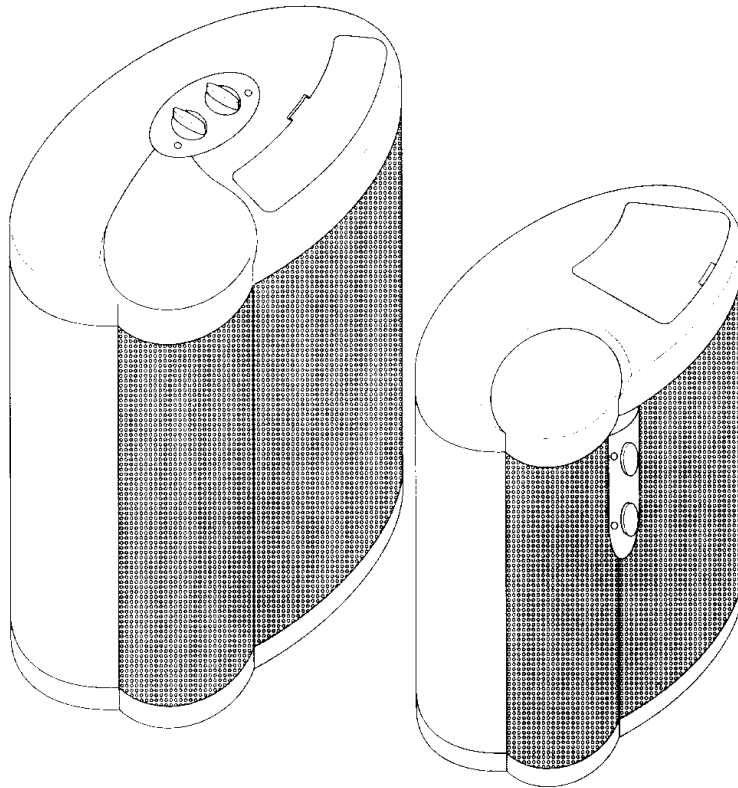


DAP 110F

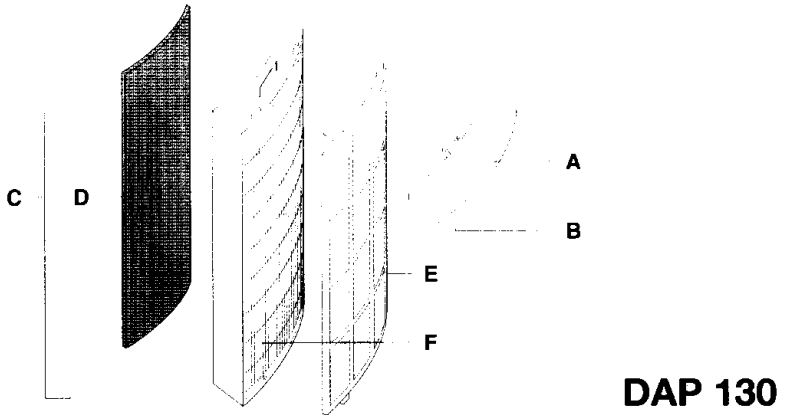
- ▶ **Advanced 3-stage filter system**
Système de filtrage à 3 niveaux
- ▶ **Ionizer freshens and helps remove particles from room air**
Élimine les impuretés de l'air



DeLonghi

use and care manual
mode d'emploi

important: read and save these instructions
important: lisez et conservez les présentes instructions



**DAP 130
DAP 110F**

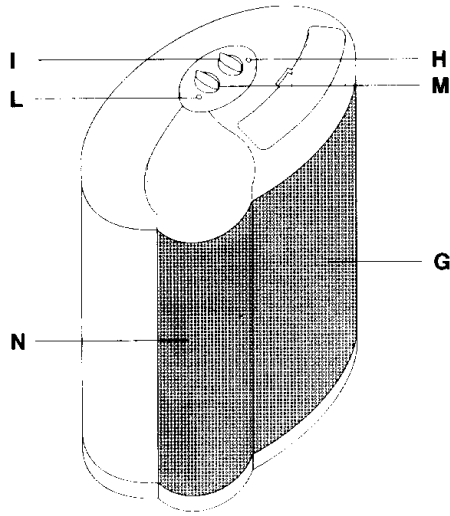
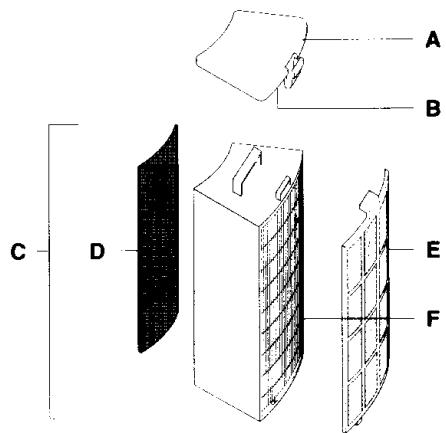
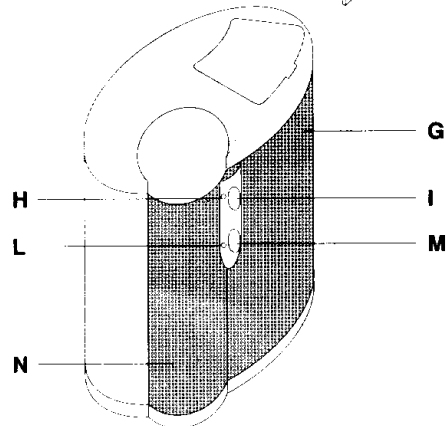


Fig. 1



**DAP 70
DAP 50F**



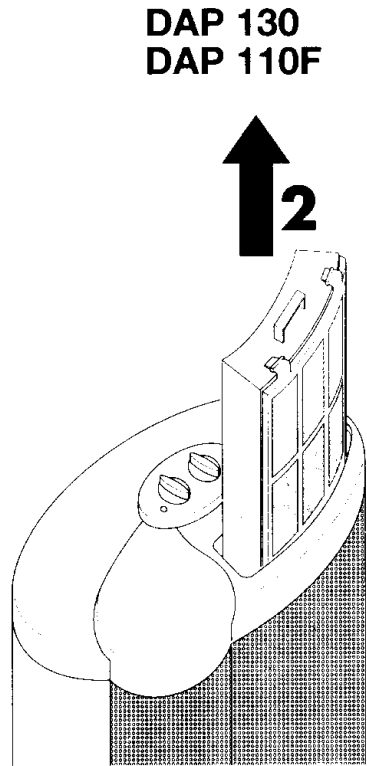
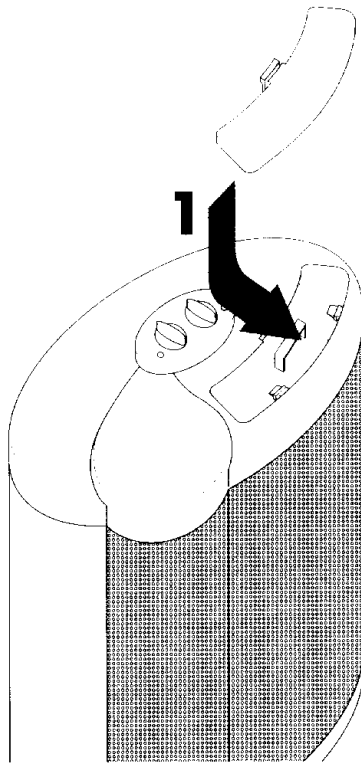
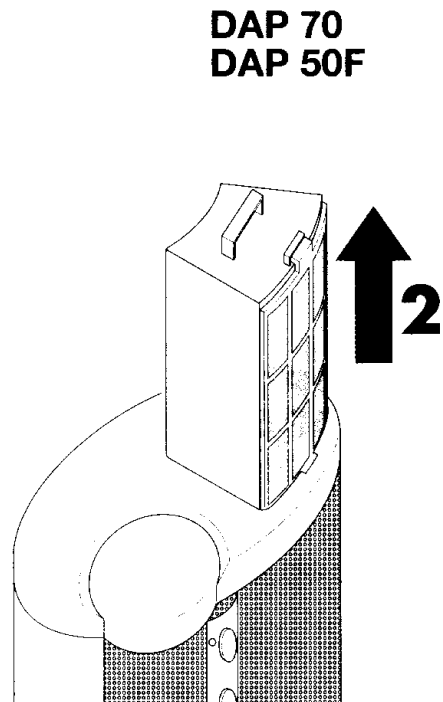
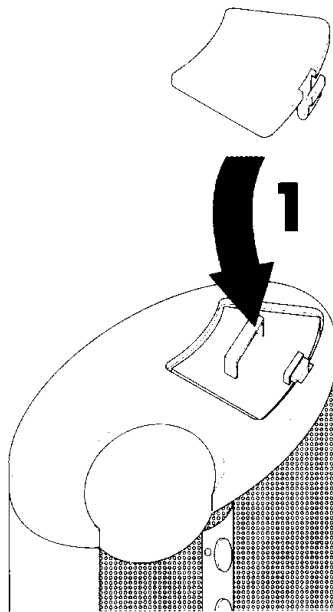


Fig. 2



**DAP 130
DAP 110F**

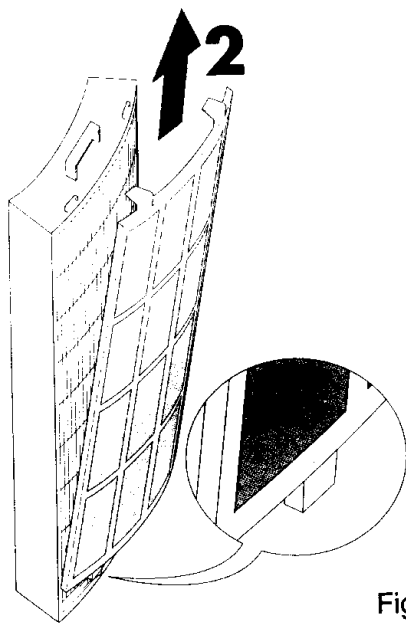
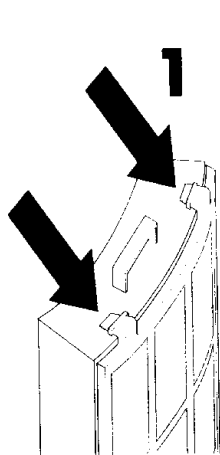


Fig. 3

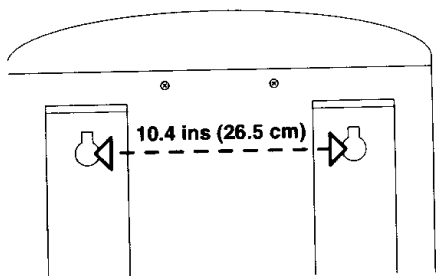
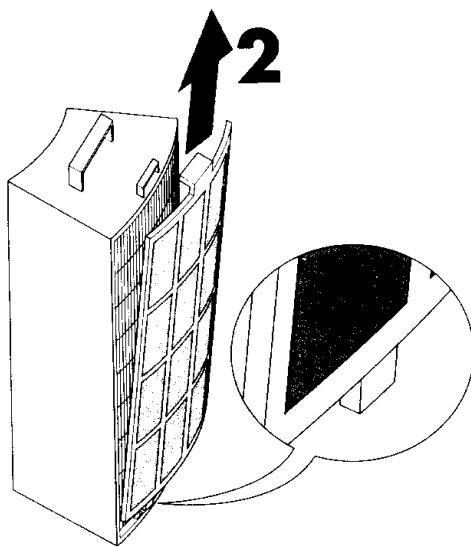
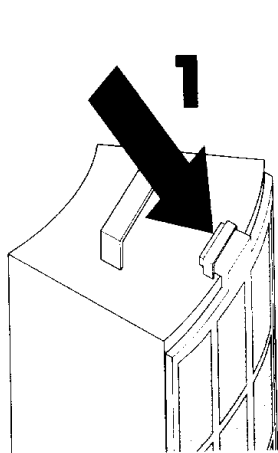
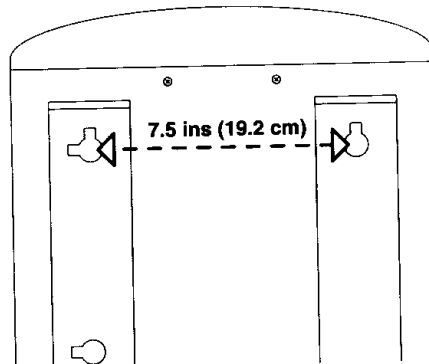


Fig. 4

**DAP 130
DAP 110F**



**DAP 70
DAP 50F**

IMPORTANT SAFETY INSTRUCTIONS

READ THIS INSTRUCTION BOOKLET CAREFULLY BEFORE USING THE APPLIANCE ONLY IN THIS WAY CAN YOU ACHIEVE THE BEST RESULTS IN THE MAXIMUM SAFETY

GENERAL INSTRUCTIONS

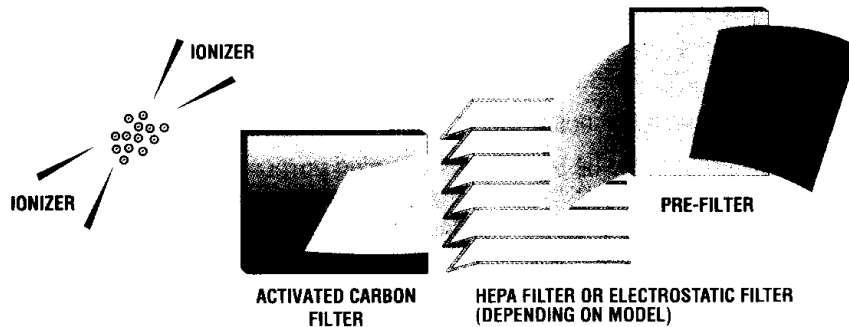
- 1) After unpacking, check the product for damage. If in doubt, do not use; contact a qualified technician.
- 2) The plastic packaging bag is a potential source of danger and must be kept out of the reach of children.
- 3) Always place purifier on a firm, flat, level, surface. Keep cord away from heated surface and out of the way, where it cannot be stepped on or tripped over.
- 4) Before using the air purifier, extend the cord and inspect for any signs of damage. Do not use product if power cord has been damaged. In this case, have it replaced immediately by a qualified person.
- 5) To avoid risk of fire, shock or personal injury, do not use an extension cord.
- 6) Before plugging in the appliance, check that the power supply corresponds to the voltage shown on the registration plate.
- 7) If the plug and power outlet are incompatible, have the plug replaced by a qualified technician.
- 8) Purifier should always be unplugged when not in operation, while being cleaned or when changing the filter. Shut off and unplug air purifier before moving. Plug and unplug unit with dry hands.
- 9) Do not immerse the appliance in water.
- 10) This appliance must only be used for its intended purpose. Any other use is incorrect and therefore dangerous. The manufacturer disclaims all liability for damages resulting from incorrect, wrong or careless use and/or repairs made by unqualified persons.
- 11) When the appliance is connected to the power supply, observe the following important safety rules carefully:
 - Do not touch the appliance with wet or damp hands.
 - Do not touch or use the appliance with wet or bare feet.
 - Do not unplug the appliance by pulling the power cord.
 - Keep the appliance out of the reach of children.
 - Do not leave the appliance exposed to atmospheric agents and do not use outdoors; this appliance is intended for indoor use only.
 - Do not obstruct the air emission grill;
- 12) Do not insert any objects into the openings of the air purifier. Do not block the air openings.
- 13) Never use your air purifier if any part is missing or damaged in any manner.
- 14) Never use your air purifier in the presence of oxygen or any flammable materials or gases.
- 15) CAUTION: THIS EQUIPMENT SHOULD BE INSPECTED FREQUENTLY AND COLLECTED DIRT REMOVED FROM IT REGULARLY TO PREVENT EXCESSIVE ACCUMULATION THAT MAY RESULT IN FLASHOVER OR A RISK OF FIRE.
- 16) To reduce the risk of electric shock, this product has a polarized plug (one blade is wider than the other) as a safety feature. This plug will fit into a polarized outlet only one way. If the plug does not fit fully into the outlet, reverse the plug. If it still does not fit, contact a qualified electrician. Do not attempt to defeat this safety feature.

- 17) Should you decide not to use the appliance again, make it inoperable by first unplugging it, then cutting the electric power cord.
- 18) Before cleaning or carrying out any maintenance work, always disconnect the appliance by removing the plug from the power outlet.
- 19) This unit should not be cleaned under running water.
- 20) In the event of failure or malfunction, switch off the appliance and do not attempt to repair it yourself. Contact an authorized Service Centre and insist on the use of original spare parts and accessories.

KEEP THESE INSTRUCTIONS IN A SAFE PLACE FOR FUTURE REFERENCE.

FEATURES

1. De'Longhi air purifiers incorporate the latest technology in domestic air filtration; they are equipped with HEPA or electrostatic media technology.
2. A powerful, silent, fan motor draws the air through the main grill.
3. Dirty air passes through a prefilter "E" that removes the large airborne particles such as lint, dust and pollen. The partially filtered air is then drawn through a long-life HEPA filter with a large surface area or electrostatic filter, easily distinguishable by its plastic frame. The HEPA (High Efficiency Particulate Air) filter removes particles as small as 0.3 microns, filtering all kinds of particles and even bacteria.
4. The air then passes through an activated carbon filter which removes odors; the filter is dark grey and is easily distinguished by its highly porous appearance;



5. Purified air is then returned to the room.
6. When switched on, an independently controlled ionizer releases a cloud of negative ions into the outgoing filtered air;
7. When coming into contact with the negative ions, small airborne particles become negatively charged. These can then combine with positively charged particles to form larger particles which are subsequently filtered by the purifier;
8. The negative ions help create a better balance of ions in the room as, generally, there is a predominance of positive ions over negative ones. So ionizing helps reduce the static electricity created by rugs, carpets, televisions and computer screens.
9. You are recommended to use the ionizer not more than two to three hours per day. With more prolonged use, the dust may settle on walls and floors and thus become more visible.

SPECIFICATIONS		
MODEL	DAP 70 / DAP 50F	DAP 130 / DAP 110F
Voltage		
Frequency	see registration label	see rating label
Absorbed power		
Number of fans	1	1
Fan speed	3	4
Purifier control	•	•
Ionizer control	•	•

DESCRIPTION OF APPLIANCE

- | | |
|--|------------------------------------|
| A) Filter Access Door | G) Air Intake Grille |
| B) Filter Change Indicator | H) Ionizer Indicator Light |
| C) Filter Cartridge | I) Ion Switch |
| D) Odor-preventing Activated Carbon Filter | L) Purifier Indicator Light |
| E) Washable Prefilter | M) Speed Control |
| F) HEPA Filter Media / Electrostatic Filter Media | N) Air Outlet Grille |

INSTRUCTIONS FOR USE

1. Unpack the air purifier and place it either vertically (upright), horizontally, or wall-mounted in such a way that the air intake grill and air outlet are free from obstructions.

Wall mounting

Your unit can be wall mounted.

Use a drill to make two holes 7.5 ins apart (10.4 ins DAP 130) (fig. 4). Insert the pressure screws into the holes then hang the unit.

2. After checking that the voltage of your home corresponds to that indicated on the appliance, plug it into the power outlet;
3. Turn the speed control **M** to the desired settings, the power indicator light will illuminate, the highest settings will provide the highest airflow and fast, deep cleaning of the room air. Lower settings provide quieter operation.
4. This Air Purifier is equipped with an ionizer function which is particularly effective against smoke and odors, when needed, switch the ionizer **I**. The ionizer indicator light will illuminate.
5. To reach the best level of air filtration, continuous use of the purifier is recommended. Its sturdy motor has been designed to guarantee many years of operation. For continual use, you are recommended not to run the fan at maximum speed.

If there are large quantities of impurities in the room, select the highest position for faster air circulation and filtering.

CLEANING THE APPLIANCE

CAUTION: always turn off the power switch and disconnect the power cord from the electrical outlet before cleaning.

Clean the outside of the air purifier with a soft, clean, damp cloth to remove dust, grime and fingerprints.

The prefilter **E** can be removed (fig. 3) and washed separately in warm, soapy water (NOT in a dishwasher). Dry the components carefully before replacing.

WARNING: Do not use watercleaning agents or abrasive materials to clean the purifier.

MAINTENANCE AND FILTER REPLACEMENT

With proper care and maintenance, the DeLonghi Air Purifier should serve you for many years to come.

1. Check the condition of the filters and prefilter periodically.
Proceed as follows:
2. Remove the filter cartridge (fig. 2). Check the prefilter. If there is a considerable accumulation of dust and other impurities, remove the prefilter from the filter cartridge (fig. 3) and wash it by hand in hot soapy water. Dry thoroughly before replacing.
3. The life of the HEPA or electrostatic filter and active carbon filters can vary considerably depending on the environment in which the air purifier is used. In normal conditions, we recommend replacement of the HEPA filter every six months, electrostatic filter every three months and the active carbon filter every two or three months.
4. To check the efficiency of the HEPA filter or electrostatic filter, compare the color of the filter with the colors shown in the "B" filter change indicator inside the filter cover. When the filter changes from white to dark grey or brown, it should be replaced. Do not wash the activated carbon filter, or the HEPA filter or electrostatic filter; once exhausted, these filters can no longer be used.
5. The De Longhi Air purifier require the following replacement filters, available from our service centers and from home appliance retailers:

Air purifier model	DAP 70 DAP 50F	DAP 130 DAP 110F
Replacement HEPA filter	DAPF 70	DAPF 130
Replacement Electrostatic filter	DAP50F3M	DAP110F3M
Replacement carbon filter	DAPC 70	DAPC 130

Replacing the filters

- Remove the filter cover.
- Press the filter cartridge downwards until it is released.
- Extract the filter cartridge.
- Check the filters as described above.
- To replace the active carbon filters, proceed as follows: lift the used filter from one end and remove from its housing. Insert the new filter, making sure to position it correctly under the special tabs.

Limited Warranty

What Does This Warranty Cover? We warrant each appliance to be free from defects in material and workmanship. Our obligation under this warranty is limited to replacement or repair, free of charge at our factory or authorized service centers, of any defective part or parts there of other than parts damaged in transit, which shall be returned to us, transportation prepaid. This warranty shall apply only if the appliance is used in accordance with the factory directions which accompany it.

How Long Does The Coverage Last? This warranty runs for one year from the date of delivery and applies only to the original purchaser.

What Does This Warranty Not Cover? This warranty does not cover defects or damage of the appliance which result from repairs or alterations to the machine outside our factory or authorized service centers, nor shall it apply to any appliance which has been subject to abuse, misuse, negligence or accidents. Also, consequential and incidental damages resulting from the use of this product or arising out of any breach of contract or breach of this warranty are not recoverable under this warranty. Some states do not allow the exclusion or limitation of incidental or consequential damages, so the above limitation may not apply to you.

How Do You Get Service? If repairs become necessary or spare parts are needed, please write to:

De'Longhi America Inc.
Park 80 West Plaza One-4th Floor
Saddle Brook, NJ 07663
or call Service Tel. No. 800-322-3848

The above warranty is in lieu of all other express warranties and representations; All implied warranties are limited to the applicable warranty period set forth above. This limitation does apply if you enter into an extended warranty with De'Longhi. Some states do not allow limitations on how long an implied warranty lasts, so the above exclusions connection with the sale or use of its appliance.

How Does State Law Apply? This warranty gives you specific legal rights, and you may also have other rights which vary from state to state.