

PARTS LIST

for



DEHUMIDIFIERS

MODELS

HD-301

HD-451

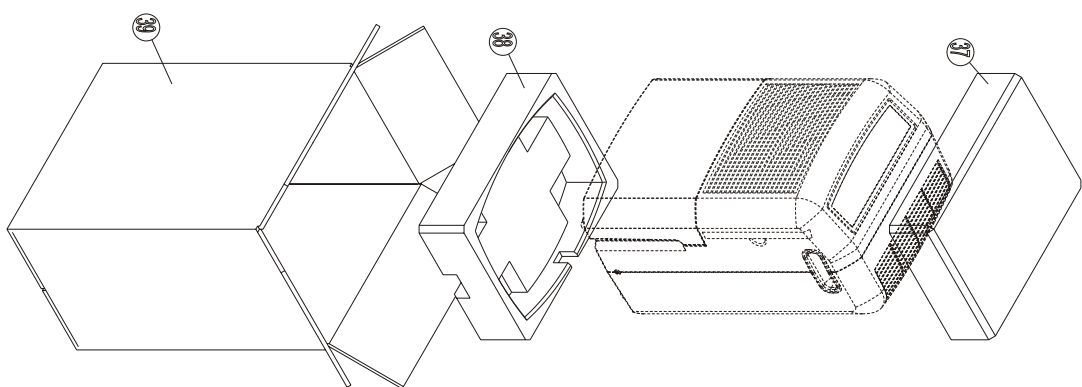
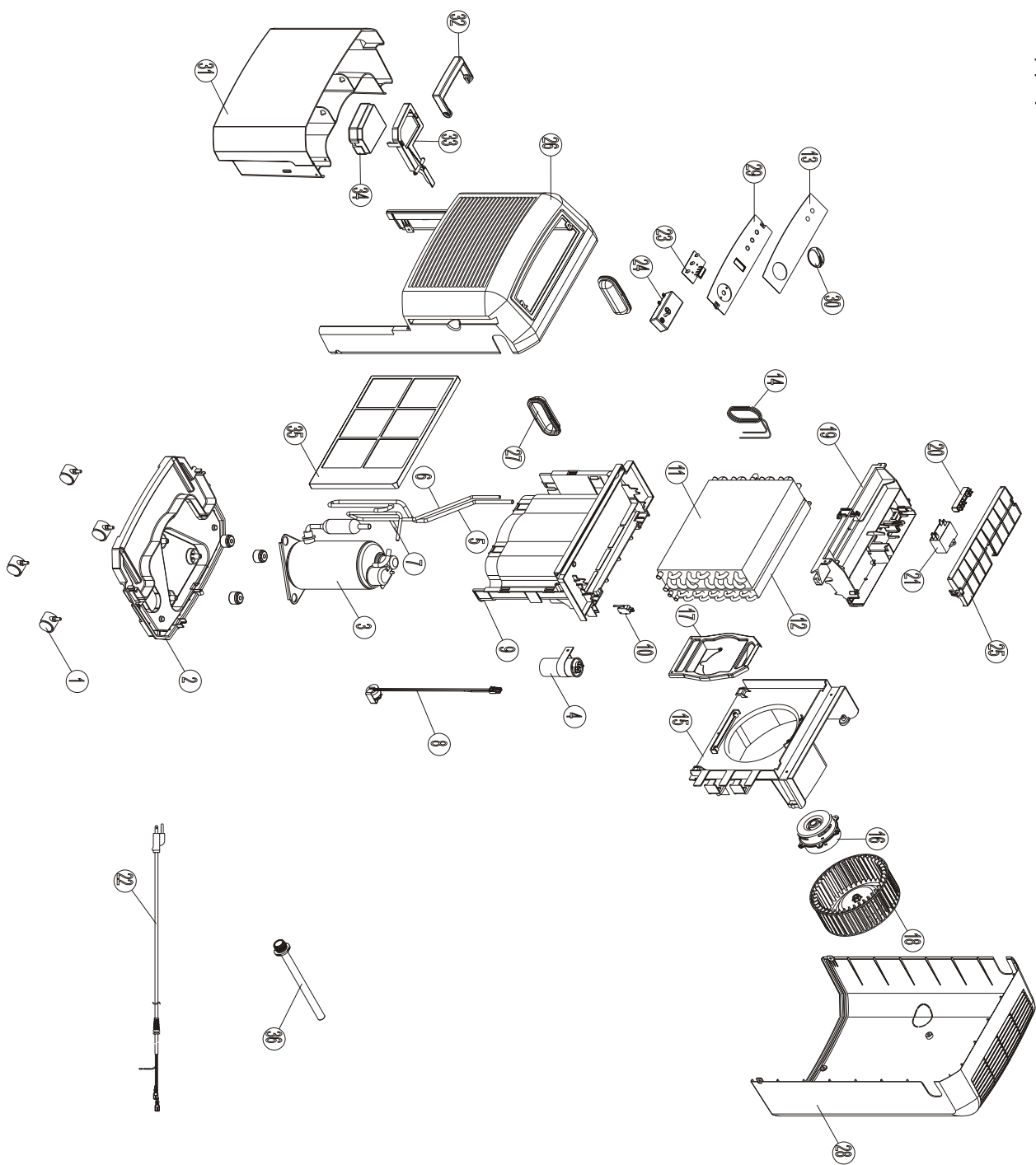
HD-651

**FOR CUSTOMER SATISFACTION ALWAYS USE
FACTORY SPECIFIED PARTS**

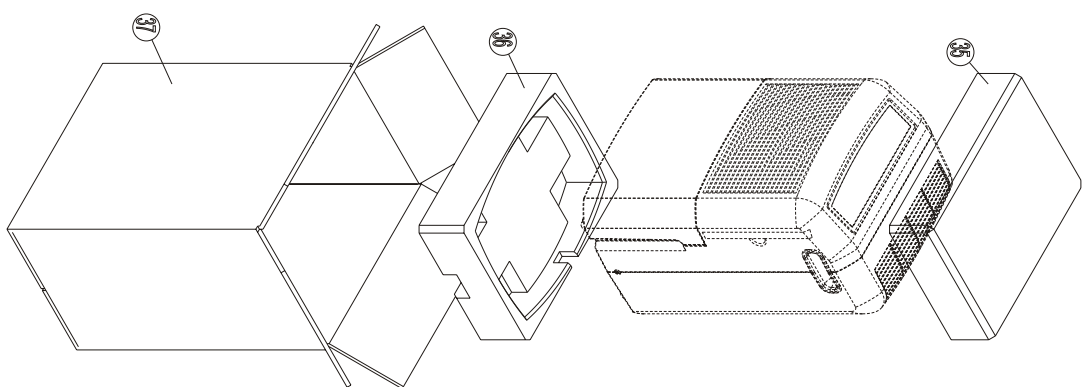
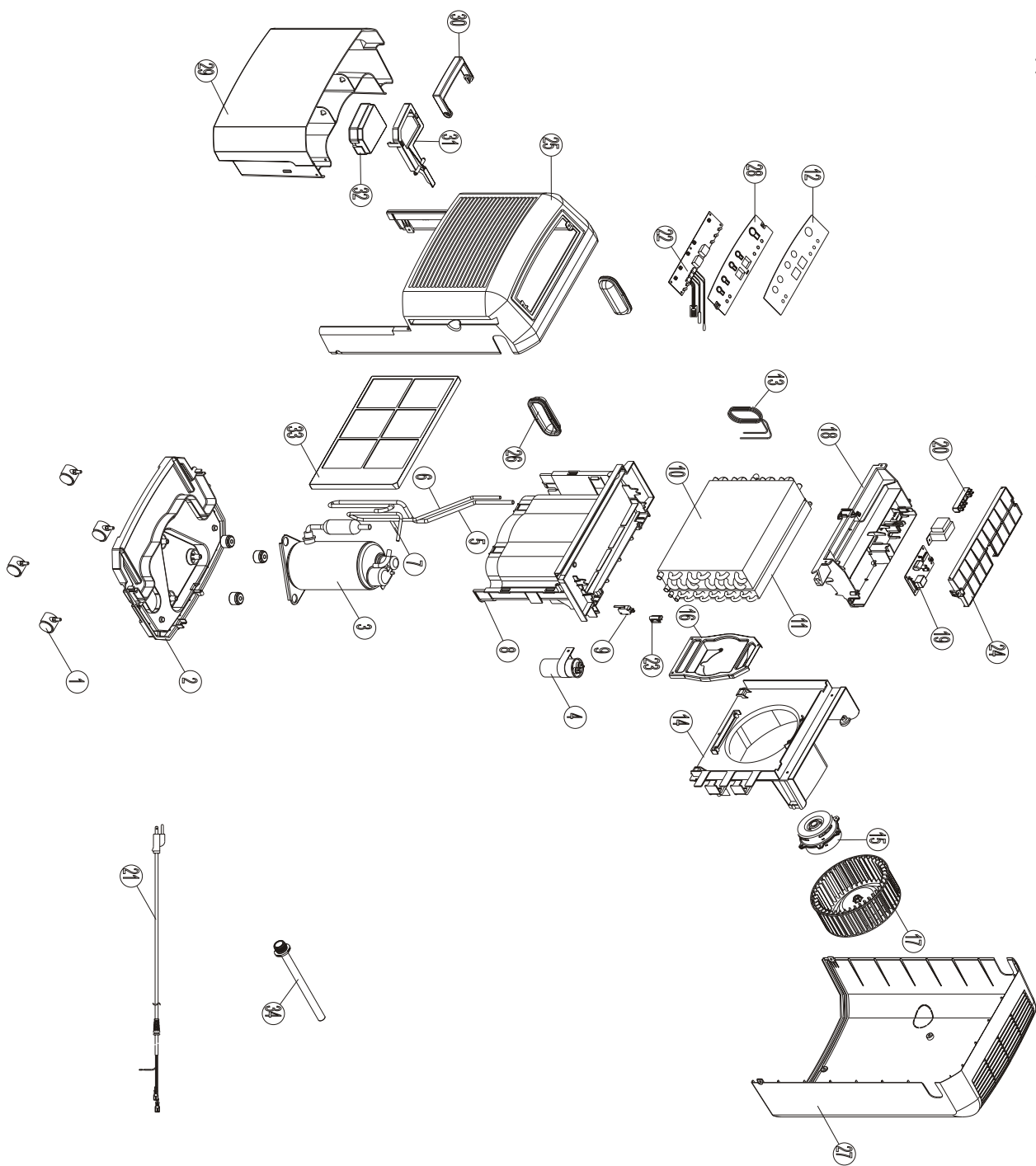
*Heat Controller, Inc.
1900 Wellworth Avenue
Jackson, MI 49203
517/787-2100*

REV 1 07/03

30 PINT (M) Exploded



45 PINT (E) & 65 PINT Exploded



30Pint-M

Service Part Cost List
(COMFORT AIR)

MODEL
HD-301

No.	Parts No.	Name
1	D7401-010	Turing Wheel ASS'Y
2	FD4800-010-A-BS	Base Pan
3	FD3202-030	Comperssor ASS'Y
4	FD2507-010	Capacitor
5	FD6224-010	Suction pipe
6	FD6206-020	Discharge pipe
7	FD6200-010	SERVICE TUBE
8	FD2532-010	Thermostat switch
9	FD5700-010-H-BS	PLATE
10	D2504-060	Mirco switch
11	FD3419-030	Evaportator ASS'Y
12	FD3422-030	Condenser ASS'Y
13	FD6930-050	CONTROL PANEL
14	FD6203-030	Capaillary Tube
15	FD5308-010-H-BS	FAN TANK
16	FD3000-020	MOTOR
17	FD5802-010	STRICK
18	FD5303-010-A-22	FAN
19	FD7307-010-A-11	ELECTRIC BOX
20	FD2525-010	TERMINAL BLOCK
21	FD2507-030	Capacitor
22	FD3700-010	Lamp Board
24	FD2500-010	HUMIDIFIER S.W.
25	FD7702-010-A-11	ELECTRIC COVER
26	FD4200-010-A-BS	FRONT PANEL
27	FD4250-010-A-BS	HANDLE
28	FD4223-010-A-BS	REAR COVER
29	FD4252-010-A-11	CONTROL PLATE
30	FD4233-010-H-BS	KNOB
31	FD5400-010-A-BS	WATER TANK
32	FD4250-020-H-BS	HANDLE
33	FD5404-010-H-BS	TANK LID
34	FD5405-010	Float
35	FD7300-010-A-BS	AIR FILTER
36	FD9250-010-P-11	Drainage Pipe
37	FD7107-010	SHOCK ABSORBER
38	FD7107-020	SHOCK ABSORBER
39	FD7010-060	Carton

45Pint-E

Service Part Cost List
(COMFORT AIR)

MODEL
HD-451

No.	Parts No.	Name
1	D7401-010	Turing Wheel ASS'Y
2	FD4800-010-A-BS	Base Pan
3	FD3202-020	Comperssor ASS'Y
4	FD2507-010	Capacitor
5	FD6224-010	Suction pipe
6	FD6206-010	Discharge pipe
7	FD6200-010	SERVICE TUBE
8	FD5700-010-H-BS	PLATE
9	D2504-040	Mirco switch
10	FD3419-020	Evaportator ASS'Y
11	FD3422-020	Condenser ASS'Y
12	FD6930-060	CONTROL PANEL
13	FD6203-020	Capaillary Tube
14	FD5308-010-H-BS	FAN TANK
15	FD3000-030	MOTOR
16	FD5802-010	STRICK
17	FD5303-010-A-22	FAN
18	FD7307-010-A-11	ELECTRIC BOX
19	FD2514-010	POWER PCB
20	FD2525-020	TERMINAL BLOCK
21	FD3700-020	POWER CORD
22	FD2518-010	PC Board
23	D5806-040	FIX METAL
24	FD7702-010-A-11	ELECTRIC COVER
25	FD4200-010-A-BS	FRONT PANEL
26	FD4250-010-A-BS	HANDLE
27	FD4223-010-A-BS	REAR COVER
28	FD4252-020-A-11	CONTROL PLATE
29	FD5400-010-A-BS	WATE R TAN K
30	FD4250-020-H-BS	HANDLE
31	FD5404-010-H-BS	TANK LID
32	FD5405-010	Float
33	FD7300-010-A-BS	AIR FILTER
34	FD9250-010-P-11	Drainage Pipe
35	FD7107-010	SHOCK ABSORBER
36	FD7107-020	SHOCK ABSORBER
37	FD7010-070	Carton

65Pint-E

Service Part Cost List
(COMFORT AIR)

MODEL
HD-651

No.	Parts No.	Name
1	D7401-010	Turing Wheel ASS'Y
2	FD4800-010-A-BS	Base Pan
3	FD3202-010	Comperssor ASS'Y
4	FD2507-010	Capacitor
5	FD6224-020	Suction pipe
6	FD6206-010	Discharge pipe
7	FD6200-010	SERVICE TUBE
8	FD5700-010-H-BS	PLATE
9	D2504-040	Mirco switch
10	FD3419-010	Evaportator ASS'Y
11	FD3422-010	Condenser ASS'Y
12	FD6930-060	CONTROL PANEL
13	FD6203-010	Capaillary Tube
14	FD5308-010-H-BS	FAN TANK
15	FD3000-040	MOTOR
16	FD5802-010	STRICK
17	FD5303-010-A-22	FAN
18	FD7307-010-A-11	ELECTRIC BOX
19	FD2514-020	POWER PCB
20	FD2525-020	TERMINAL BLOCK
21	FD3700-020	POWER CORD
22	FD2518-010	PC Board
23	D5806-040	FIX METAL
24	FD7702-010-A-11	ELECTRIC COVER
25	FD4200-010-A-BS	FRONT PANEL
26	FD4250-010-A-BS	HANDLE
27	FD4223-010-A-BS	REAR COVER
28	FD4252-020-A-11	CONTROL PLATE
29	FD5400-010-A-BS	WATE R TANK
30	FD4250-020-H-BS	HANDLE
31	FD5404-010-H-BS	TANK LID
32	FD5405-010	Float
33	FD7300-010-A-BS	AIR FILTER
34	FD9250-010-P-11	Drainage Pipe
35	FD7107-010	SHOCK ABSORBER
36	FD7107-020	SHOCK ABSORBER
37	FD7010-070	Carton