

# 112894F Series Manual Potentiometers

## SPECIFICATION DATA



## FEATURES

- Flush or surface mounting
- 135 or 270 ohm models
- Positive screw terminal connections
- Multiple system compatibility

## GENERAL

The 112894F Series Manual Potentiometers ("Manual Potentiometers") are used primarily as minimum positioning potentiometers in Series 90 Electric Control Circuits. The Manual Potentiometers have many applications and are generally used in conjunction with Electric Modutrol,

Modutrol IV, and Versadrive Motor damper-actuators. The 135 ohm Manual Potentiometers provide up to 50 percent minimum position. The 270 ohm Manual Potentiometers provide up to 100 percent minimum position. The Manual Potentiometers are adaptable to surface or flush mounting.

## DESCRIPTION

The 112894F Series Manual Potentiometers ("Manual Potentiometers") are used primarily as minimum positioning potentiometers in Series 90 Electric Control Circuits. The Manual Potentiometers have many applications and are generally used in conjunction with Electric Modutrol,

Modutrol IV, and Versadrive Motor damper-actuators. The 135 ohm Manual Potentiometers provide up to 50 percent minimum position. The 270 ohm Manual Potentiometers provide up to 100 percent minimum position. The Manual Potentiometers are adaptable to surface or flush mounting.

## SPECIFICATIONS

### Models:

✓	Assembly Number	Mounting Type	Potentiometer Resistance
	112894FA	Surface	135 ohms
	112894FB	Surface	270 ohms
	112894FD	Flush	135 ohms
	112894FE	Flush	270 ohms

### Field Connections:

Screw terminals: Coded R, W, and B

### Finish:

Flush mounted models: Brushed stainless steel wall plate  
 Surface mounted models: Zinc-plated wall plate

### Scaleplate Markings:

DAMPER, OPEN—CLOSE

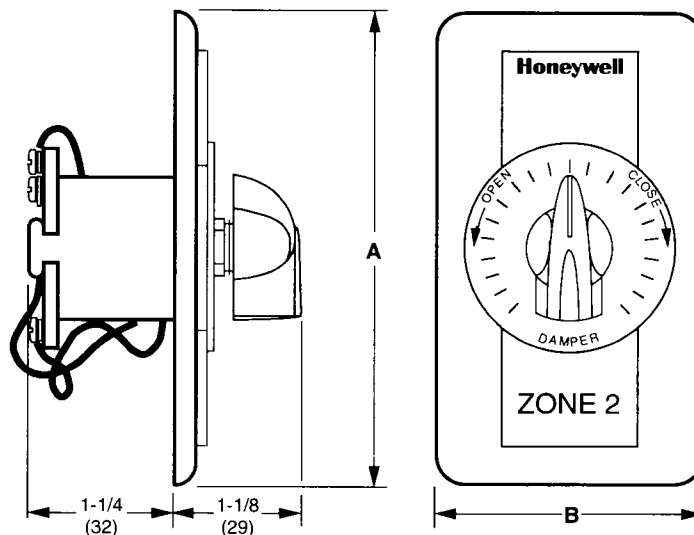
### Mounting

Flush: Standard outlet (switch) box, 2-1/2 in. (64 mm) deep  
 Surface: Single-gang standard electrical box, 1-3/4 in. (45 mm) deep

### Construction:

Manual Potentiometers consist of a potentiometer assembly, a mounting strap, a wall plate, a nameplate, a sheet of nameplate identification tabs, a dial, and an indicating knob. The potentiometer assembly is a potentiometer mounted on a terminal board. The mounting strap has break-off tabs.

### Dimensions In Inches (Millimeters):

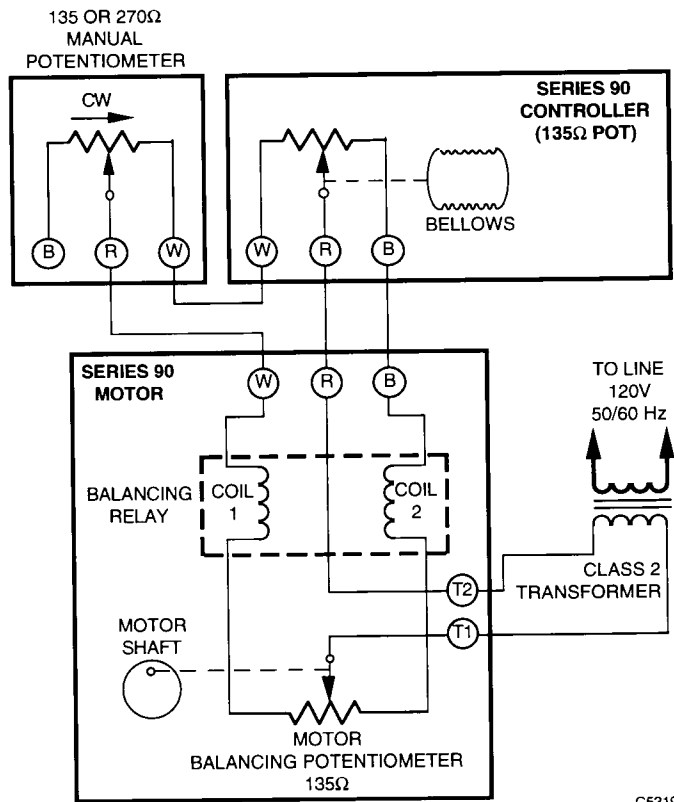


Model	Dim. A	Dim. B
112894FA	4-1/2 (114)	2-3/4 (70)
112894FB	4-1/2 (114)	2-3/4 (70)
112894FD	4-13/16 (122)	2-3/8 (60)
112894FE	4-13/16 (122)	2-3/8 (60)

C5320

**Typical Operation:**

Adjustment of the Manual Potentiometer creates an imbalance in the electronic panel or motor bridge circuit, which effectively changes the system setpoint and results in an increase or decrease in control temperature. Manual Potentiometers used in Series 90 Control applications, are connected in series with the system controller and an Electric Modutrol, Modutrol IV, or Versadrive Motor. This hookup allows the Manual Potentiometer to override the authority of the controller and, through adjustment, regulate the motor's minimum position from 0 to 50 percent (135 ohms) or 0 to 100 percent (270 ohms).



C5319

Typical Hookup of Electric Series 90 Modutrol Motor Using 112894F Series (Two-Wire) Manual Potentiometer.

**Home and Building Control**

Honeywell Inc.  
Honeywell Plaza  
P.O. Box 524  
Minneapolis MN 55408-0524

**Honeywell Latin American Division**

Miami Lakes Headquarters  
14505 Commerce Way Suite 500  
Miami Lakes FL 33016

**Home and Building Control**

Honeywell Limited-Honeywell Limitée  
740 Ellesmere Road  
Scarborough Ontario

**Honeywell Europe S.A.**

3 Avenue du Bourget  
B-1140 Brussels Belgium

**Honeywell Asia Pacific Inc.**

30th Floor, Office Tower  
Convention Plaza  
1 Harbour Road  
Wanchai  
Hong Kong

---

**Honeywell**

*Helping You Control Your World*

