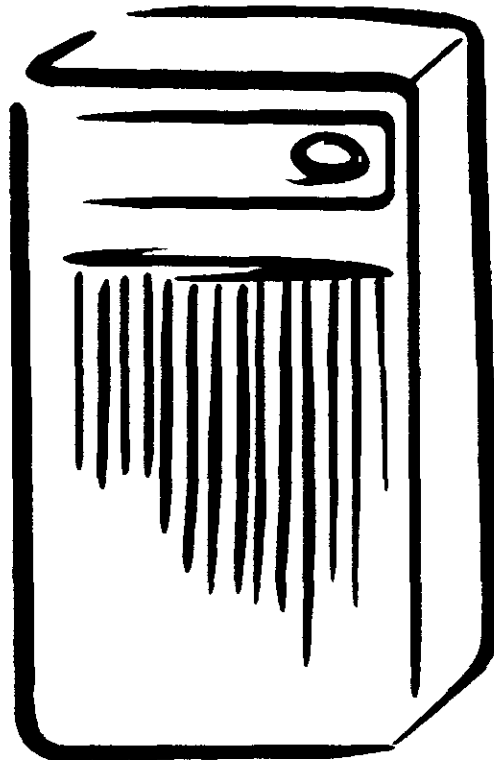


**Owner's Manual
Manuel del Propietario**



**DEHUMIDIFIER
DESHUMIDIFICADOR**

Model, Modelo 580.53509, 580.53701₃₀₀



ENGLISH

ESPAÑOL

**Sears, Roebuck and Co., Hoffman Estates, IL 60179 U.S.A.
www.sears.com**

TABLE OF CONTENTS

TABLE OF CONTENTS	2	CLEANING THE WATER BUCKET	8
WARRANTY	2	REMOVING AND EMPTYING	
SAFETY	3	THE WATER BUCKET.....	8
Important Safety Instructions.....	3	MAINTENANCE	9
ELECTRICAL REQUIREMENTS	4	Grille and case	9
OPERATION	5	Air filter	9
Features	5	Cleaning inside the unit.....	9
Control Panel	6	General cleaning	9
INSTALLING YOUR DEHUMIDIFIER	7	Water bucket cleaning.....	9
Defrost Control	7	TROUBLESHOOTING	10
CHOOSING THE PROPER LOCATION	7	ESPAÑOL	11
AUTOMATIC SHUT OFF	7	MASTER PROTECTION AGREEMENTS ...	23
		SERVICE NUMBERS	Back cover

WARRANTY

FULL ONE YEAR WARRANTY ON DEHUMIDIFIER

For one year from the date of purchase, if the Dehumidifier is operated and maintained according to the owner's instructions furnished with the product, Sears will repair the Dehumidifier free of charge, if defective in materials or workmanship.

FULL FIVE YEAR WARRANTY ON SEALED REFRIGERATION SYSTEM

For five years from the date of purchase, when this Dehumidifier is operated and maintained according to owner's instructions furnished with the product, Sears will repair the sealed refrigeration system (consisting of refrigerant, connecting tubing, and compressor motor) free of charge, if defective in material or workmanship.

WARRANTY SERVICE IS AVAILABLE BY RETURNING UNIT TO THE NEAREST SEARS SERVICE CENTER IN THE UNITED STATES. CALL 1-800-4-MY-HOME® FOR NEAREST SERVICE CENTER TO YOU.

This warranty applies only while this Dehumidifier is used in the United States. This warranty gives you specific legal rights, and you may also have other rights which vary from state to state.

Sears, Roebuck and Co., D/817WA, Hoffman Estates, IL 60179 U.S.A.

SAFETY

IMPORTANT SAFETY INSTRUCTIONS

The safety instructions below will tell you how to use your dehumidifier to avoid harm to yourself or damage to your dehumidifier.

⚠ WARNING FOR YOUR SAFETY

Do not store or use gasoline or other flammable vapors and liquids in the vicinity of this or any other appliance. Read product labels for flammability and other warnings.

⚠ WARNING PREVENT ACCIDENTS

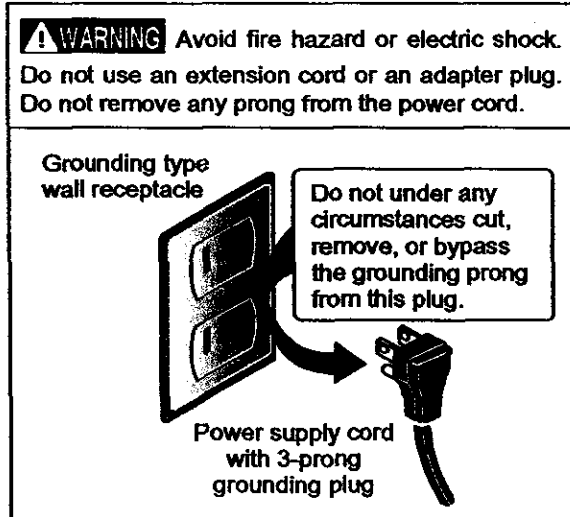
To reduce the risk of fire, electrical shock, or injury to persons when using your dehumidifier, follow basic precautions, including the following:

- Be sure the electrical service is adequate for the model you have chosen.

⚠ WARNING ELECTRICAL INFORMATION

The complete electrical rating of your new dehumidifier is stated on the serial plate. Refer to the rating when checking the electrical requirements.

- Be sure the dehumidifier is properly grounded. To minimize shock and fire hazards, proper grounding is important. The power cord is equipped with a three-prong grounding plug for protection against shock hazards.
- Your dehumidifier must be used in a properly grounded wall receptacle. If the wall receptacle you intend to use is not adequately grounded or protected by a time delay fuse or circuit breaker, have a qualified electrician install the proper receptacle.
- Do not use an extension cord or an adapter plug.



ENGLISH

ELECTRICAL REQUIREMENTS

OBSERVE ALL LOCAL CODES AND ORDINANCES.

DO NOT, UNDER ANY CIRCUMSTANCES, REMOVE THE POWER SUPPLY CORD GROUND PRONG.


ELECTRICAL GROUND IS REQUIRED ON THIS APPLIANCE.

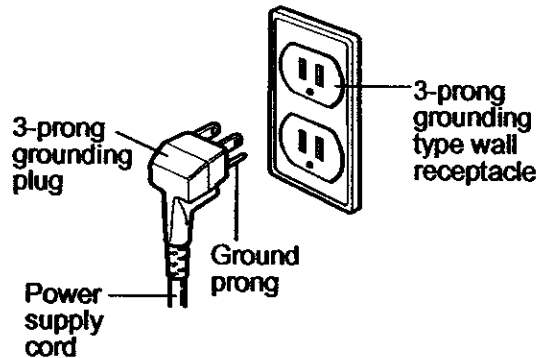
A 115-volt 60 Hz, AC only, 15A fused and properly grounded electrical supply is required. A time delay fuse or time delay circuit breaker is recommended. Use a dedicated circuit, serving only this appliance.

DO NOT USE AN EXTENSION CORD.

RECOMMENDED GROUNDING METHOD

For your personal safety, this appliance must be grounded. This appliance has a power supply cord with a 3-prong grounding plug. To minimize possible shock hazard, the cord must be plugged into a mating grounding type wall receptacle and grounded in accordance with the National Electrical Code (ANSI/NFPA 70) latest edition and all local codes and ordinances. If a mating wall receptacle is not available, it is the personal responsibility and obligation of the customer to have a properly grounded 3-prong wall receptacle installed by a qualified electrician.

WARNING

<p>Electrical Shock Hazard Plug into a grounded 3 prong outlet. Do not remove ground prong. Do not use an adapter. Do not use an extension cord. Failure to follow these instructions can result in death, fire, or electrical shock.</p>



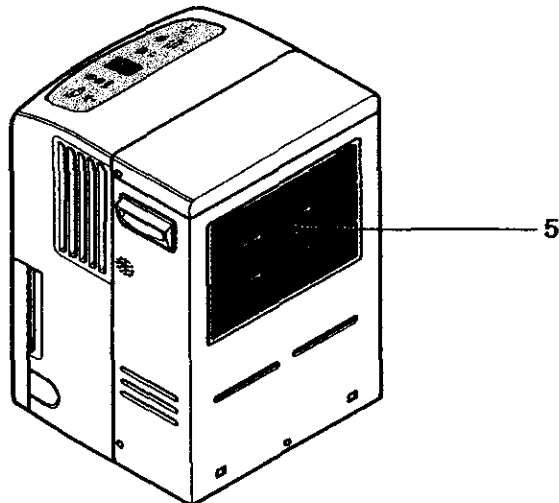
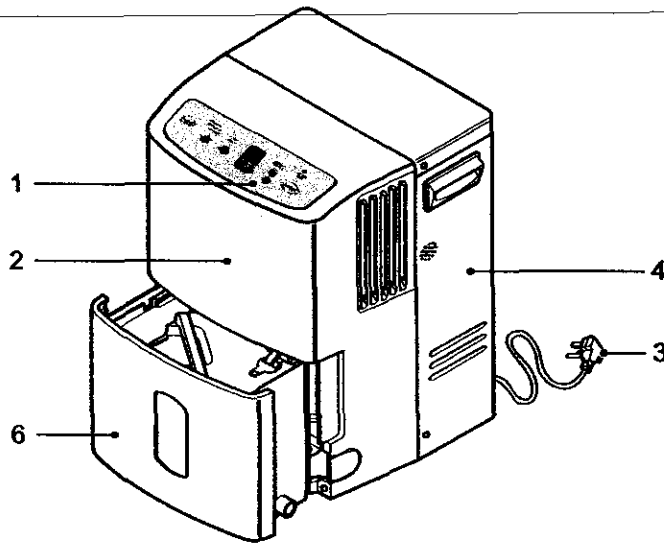
OPERATION

FEATURES

⚠ WARNING

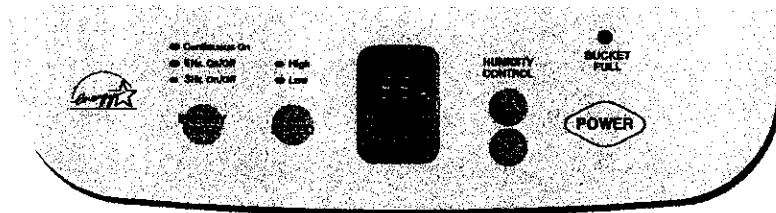
To reduce the risk of fire, electric shock, or injury to persons, read the important SAFETY instructions section before operating this appliance.

1. Control panel
2. Front grille
3. Power cord
4. Cabinet
5. Air filter
6. Water bucket



ENGLISH

OPERATION



CONTROL PANEL

Your dehumidifier control panel contains a Bucket Full indicator, a Humidity indicator, a Power Control, Humidity Control, Fan Speed Control and Timer Control.

Bucket Full indicator — This light glows when the water bucket is full and needs to be emptied. It also glows when the bucket is not properly positioned.

Power — Operation starts when this button is pressed and stops when the button is pressed again.

Humidity Control — This button controls the humidity in the room.

- : To raise the humidity setting
- : To lower the humidity setting
- The humidity can be set within a range of 35%-70% RH(Relative Humidity) by 5% increments.
- If you push button once again at 35% RH, *ON* is displayed and Unit operates without RH.

Fan Speed — This controls the speed of the airflow.

- When Fan Speed button is pressed, the fan speed mode changes from High → Low → High.

Energy Timer — Press this button to select type of operation.

- Select Constant for uninterrupted operation.
- Select either 3 or 6 Hr. On/Off for cycled operation.
The unit will operate for 3 or 6 hours, and then shut off completely for 3 or 6 hours. The cycle repeats until you change the setting.
- When Energy Timer button is pressed, the Timer indicator lights shift as follows:
Continuous On → 3 Hr. On/Off → 6 Hr. On/Off → Continuous On

Auto Restart— Once power is restored after a power outage, the unit begins operating at its previous operation settings after a 2 minute delay.

TO OPERATE THE DEHUMIDIFIER:

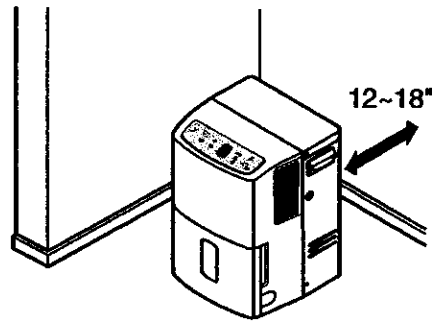
1. Plug the power cord into an electrical outlet. Press the power button.
2. Set the Humidity Control anywhere between 35%-70% RH(Relative Humidity) for normal operation.
If you need drier air, press the Humidity Control button.
If you need moister air, press the Humidity Control button.
3. Press the Power button to stop the unit manually.
4. Press the Timer button to set the amount of time you want the unit to run.
At the end of that time, the unit will shut off.
The Timer can be set for : Continuous On, 6 hours or 3 hours.
5. If you want to control the speed of airflow, press Fan Speed button. Each time that the Fan Speed button is pressed, the fan speed mode is shifted: High → Low → High

Note: Be careful not to lose the water bucket.

This dehumidifier doesn't run if the water bucket is not installed properly.

INSTALLING YOUR DEHUMIDIFIER

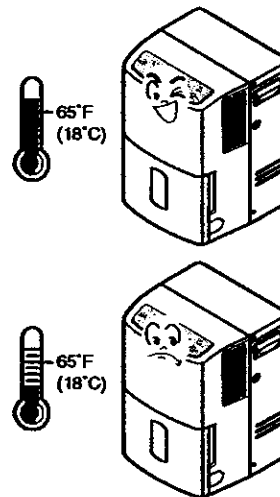
- Install the dehumidifier on a level floor strong enough to support the unit with a full bucket of water.
- For best performance, allow at least 12-18 inches of air space on all sides of the unit for good air circulation.
- Keep all outside doors, windows, and other openings closed when operating the dehumidifier. Humid outdoor air will add to the unit's work load.
- Install your dehumidifier in an area where the temperature will not fall below 65°F (18°C). At temperatures below this, the coils can become covered with frost, which may reduce dehumidifying performance.



DEFROST CONTROL

When the defrost control senses frost build-up on the evaporator coil, it will automatically shut off the compressor. The fan will continue to run to draw air across the coil and melt the frost. When the coil is defrosted, the compressor will automatically restart and dehumidifying resume.

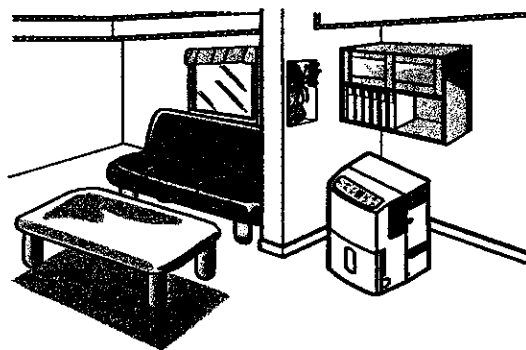
The defrost feature in the 580.53701 model will continuously cycle up to temperature of 43°F (6°C).



ENGLISH

CHOOSING THE PROPER LOCATION

- Use the dehumidifier in a basement to help prevent moisture damage.
- Use the dehumidifier in cooking, laundry, bathing, and dishwashing areas that have excessive moisture.
- Use the dehumidifier to prevent moisture damage anywhere books or valuables are stored.



AUTOMATIC SHUT OFF

When the bucket is full, or when the bucket is not in the proper position, the Bucket Full light turns on and the unit automatically shuts off.

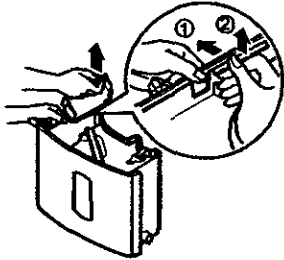
Also, when bucket is out of position, the unit will beep 3 times.

The bucket must be replaced in the proper position for the dehumidifier to work. The light will be on and the dehumidifier will not run if the bucket is not in the proper position.

CLEANING THE WATER BUCKET

1. Pull out the bucket cover.

- Place thumb at position ① and pull outward. Place other hand at position ② and pull up.



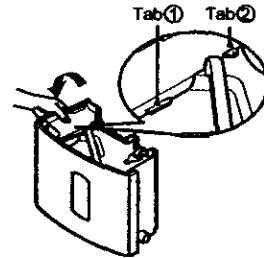
2. Clean inside of bucket with brush or dampened cloth.

- We recommend using a mild detergent solution.



3. Replace the bucket cover.

- Make sure tabs ① and ② are placed as shown.



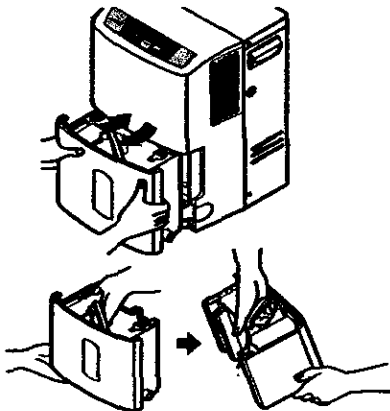
REMOVING AND EMPTYING THE WATER BUCKET

1. Empty the bucket manually.

When the bucket is full, pull out and empty it into a large sink or tub and then replace it properly.

- Do not overtighten the hose when connecting it to the bucket. Use a rubber washer and tighten by hand firmly without stripping the plastic threads.
- Be careful while taking out the bucket as it can cause damage.
- Please do not shake strongly when you carry the bucket. It can cause to breakage of the handle or bucket cover.

It is advisable to carry the bucket by supporting it from the bottom.



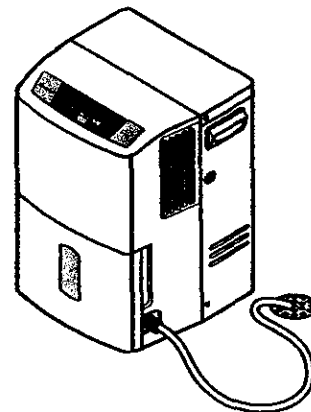
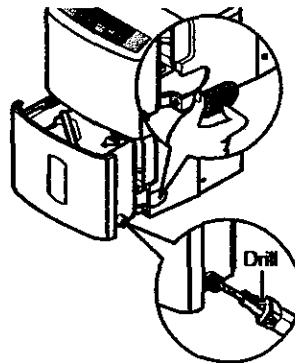
2. Attach a length of garden hose to the threaded bucket drain hose connection to carry water to the drain.

The bucket has a threaded hose connection which can be left open. Drill a 1/4" (6.4 mm) hole in the center of the hose connection. Once opened, the hose connection will continually drain water from the bucket.

- The nozzle cannot be fixed after puncture. Use an ordinary garden hose cap to reclose if necessary.
- When inserting the bucket into the unit, lifting up the bottom tip of the bucket lightly makes insertion easy.

• When being attached to the bucket drain hose connection, be sure the hose doesn't kink or bend. It should lie flat from the dehumidifier to the drain.

• The hose attachment will accept a standard garden hose fitting. You can attach a screw-on cap to use the bucket without a hose.



MAINTENANCE

GRILLE AND CASE

To clean the case: Use water and a mild detergent. Do not use bleach or an abrasive cleaner.

To clean the grille: Use a vacuum with an attachment or brush.

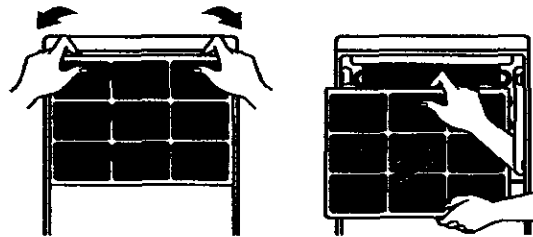
AIR FILTER

The air filter is on the back of the dehumidifier. It should be checked and cleaned at least every 30 days or more often if necessary.

TO REMOVE:

First pull out the air filter by pressing the filter hooks. Then release two tabs at the bottom side of the filter.

Wash air filter with warm water and a mild detergent. Rinse and dry it. Once dry, replace in unit.



ENGLISH

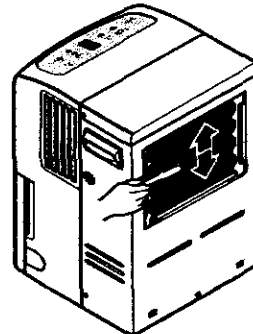
CLEANING INSIDE THE UNIT

After removing the air filter, clean the coil on the inside with a soft brush to remove any soft and wet soil.

NOTE: Do not allow water to enter the electrical/machine compartment through the circular opening behind the coil.

Do not spray the coil with a hose.

Be careful! Sharp edges!

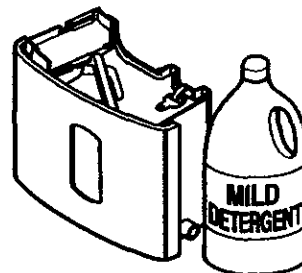


GENERAL CLEANING

- Dust the front grille and the side panels with a soft brush or use the dusting attachment of your vacuum.
- If cabinet paint chips, you can touch up the paint with a good grade enamel to prevent rust.

WATER BUCKET CLEANING

- Every few weeks, rinse the inside of the water bucket with a mild detergent to prevent growth of mold, mildew, and bacteria.



TROUBLESHOOTING

Problem	Possible Causes	What To Do
Dehumidifier does not start	The dehumidifier power cord is unplugged	• Make sure the dehumidifier plug is pushed completely into the outlet.
	The fuse is blown or circuit breaker is tripped.	• Check the house fuse or circuit breaker box and replace the fuse or reset the breaker.
	Water bucket is full	• The dehumidifier automatically turns off when this occurs. Empty the bucket.
	Bucket is not installed.	• Make sure the bucket is in the right place.
Dehumidifier does not dry the air as it should	Did not allow enough time to remove the moisture.	• When first installed, allow at least 3 or 4 days to maintain the desired dryness.
	Airflow is restricted.	• Make sure there are no curtains, blinds or furniture blocking the front or back of the dehumidifier.
	The Humidity Control may not be set low Humidity.	• Press the ● Humidity Control button to lower the humidity.
	Doors and windows may not be closed tightly.	• Check that all doors, windows and other openings are securely closed.
	Clothes dryer may be blowing moisture-laden air into the room.	• Install the dehumidifier away from the dryer. The dryer should be vented to the outside.
	Room temperature is too low.	• The unit will not operate satisfactorily if the room temperature is below 65°F. (18°C.).
Dehumidifier runs too much	Area to be dehumidified is too large.	• Check with your dealer to see if the capacity is adequate.
	Doors and windows are open.	• Close all doors and windows to the outside.
Frost appears on the coils	Dehumidifier has been recently turned on or room temperature is below 65°F. (18°C.).	• This is normal. Frost will usually disappear within 60 minutes.
Fan noise	Air is moving through the dehumidifier.	• This is normal.
Water on floor	Bucket drain hose connection may be loose.	• Check the hose if one is attached.
	Water bucket is not all the way in.	• See Removing and Emptying The Water Bucket.

ÍNDICE DE MATERIAS

ÍNDICE DE MATERIAS	11	LIMPIEZA DEL RECIPIENTE DE AGUA	17
GARANTÍA	11	REMOCIÓN Y VACIADO DEL	
SEGURIDAD	12	RECIPIENTE DE AGUA	17
Importantes instrucciones de seguridad	12	MANTENIMIENTO	18
REQUERIMIENTOS ELÉCTRICOS	13	La rejilla y el gabinete	18
FUNCIONAMIENTO	14	Filtro de aire	18
Características	14	Limpieza interna de la unidad	18
Panel de control	15	Limpieza de la unidad	18
INSTALACIÓN DEL DESHUMIDIFICADOR ...	16	Limpieza del recipiente de agua	18
Control de descongelamiento	16	SOLUCIÓN DE PROBLEMAS	19
SELECCIÓN DEL LUGAR ADECUADO ...	16	ACUERDOS DE PROTECCIÓN	
APAGADO AUTOMÁTICO	16	ESPECIALIZADA	23
		PARA PEDIR SERVICIO.....Cubierta Trasera	

GARANTÍA

UN AÑO DE GARANTÍA EN TODAS LAS PARTES DEL DESHUMIDIFICADOR

Durante un año a partir de la compra, si el deshumidificador es usado y mantenido de acuerdo con las instrucciones del usuario adjuntas o suministradas con el aparato, Sears reparará el deshumidificador sin costo alguno si éste muestra defectos en los materiales o mano de obra.

CINCO AÑOS DE GARANTÍA COMPLETA EN EL SISTEMA DE REFRIGERACIÓN

Durante cinco años a partir de la compra, si el deshumidificador es usado y mantenido de acuerdo con las instrucciones del usuario adjuntas o suministradas con el aparato, Sears reparará el sistema de refrigeración sellado (el cual consta de refrigerante, los tubos conectores y el motor compresor) si éste muestra defectos en los materiales o mano de obra.

SE OFRECE SERVICIO DE GARANTÍA AL REGRESAR LA UNIDAD AL CENTRO DE SERVICIO SEARS MÁS CERCANO EN TODOS LOS ESTADOS UNIDOS. LLAME 1-800-4-MY-HOME® PARA A MÁS CERCANO CENTRO DEL SERVICIO A USTED.

Esta garantía sólo tiene validez mientras el deshumidificador se esté usando en los Estados Unidos. Esta garantía le confiere derechos legales específicos, pero usted podría gozar de otros derechos que pueden variar de Estado a Estado.

Sears, Roebuck and Co., D/817WA, Hoffman Estates, IL 60179 U.S.A.

ESPAÑOL

SEGURIDAD

IMPORTANTES INSTRUCCIONES DE SEGURIDAD

Las instrucciones de seguridad que abajo se enuncian describen cómo usar el deshumidificador y evitar daños a su persona o al aparato.

⚠ ADVERTENCIA POR SU PROPIA SEGURIDAD

No almacene ni use gasolina u otros vapores o líquidos inflamables cerca de este u otros aparatos domésticos. Lea las etiquetas del producto para conocer su nivel de inflamabilidad y otras advertencias.

⚠ ADVERTENCIA EVITE ACCIDENTES

Para reducir el riesgo de incendio, choque eléctrico o daños corporales al usar su deshumidificador, siga las precauciones básicas que se indican a continuación:

- Cerciórese de que el suministro de energía eléctrica sea adecuado para el modelo que ha seleccionado.

⚠ ADVERTENCIA Evite el riesgo de incendio o choque eléctrico. No use cable eléctrico de extensión ni adaptadores. No quite ninguna de las terminales de la clavija del cable de alimentación eléctrica.

Toma de corriente de pared con conexión a tierra.



Cable de alimentación con clavija dotada de conexión a tierra de 3 terminales.

⚠ ADVERTENCIA INFORMACIÓN SOBRE LA ELECTRICIDAD

Los valores completos de la electricidad de su nuevo deshumidificador aparecen en la placa del número de serie. Refiérase a dichos valores al verificar los requerimientos eléctricos.

- Cerciórese de que el deshumidificador esté adecuadamente conectado a tierra. Para reducir al máximo el peligro de choques y de incendio, es importante la correcta conexión a tierra. El cable de alimentación está equipado con una clavija dotada de conexión a tierra de 3 terminales para protegerlo contra el peligro de choques eléctricos.
- Su deshumidificador debe usarse estando adecuadamente conectado a tierra y enchufado a un contacto de pared apropiado. Si el contacto de pared que desea utilizar no está adecuadamente conectado a tierra o protegido por un fusible de retardo o por un disyuntor de circuito, pida que un electricista calificado le instale un buen contacto de pared.
- No use cable eléctrico de extensión ni adaptadores.

REQUERIMIENTOS DE ALIMENTACIÓN ELÉCTRICA

RESPETE TODOS LOS CÓDIGOS Y REGLAMENTOS.

BAJO NINGUNA CIRCUNSTANCIA CORTE, quite o evite el uso de LA CONEXIÓN A TIERRA DE ESTA CLAVIJA.

ESTE APARATO NECESITA SER CONECTADO A TIERRA.

Se requiere una alimentación eléctrica CA, adecuadamente conectada a tierra con un fusible de 15 A, de 60 Hz y de 115 V. Se recomienda un fusible de retardo o un disyuntor de circuito que alimente solamente a este aparato.

NO USE CABLE ELÉCTRICO DE EXTENSIÓN.

MÉTODO RECOMENDADO DE CONEXIÓN A TIERRA

Por su propia seguridad este aparato debe conectarse a tierra. Este aparato viene equipado con un cable de alimentación y una clavija de tres terminales. Para reducir al máximo el peligro de choque eléctrico, el cable debe estar conectado a una conexión de pared con conexión a tierra, y esta conexión debe hacerse de acuerdo con la última edición del Código Eléctrico Nacional (ANSI/NFPA 70), así como con los códigos y reglamentos locales. Si no existe una conexión de pared adecuada, el cliente tiene la responsabilidad y la obligación de mandar instalar, con un electricista calificado, una conexión de pared adecuada de tres terminales con conexión a tierra.

⚠ ADVERTENCIA



Peligro de choque eléctrico

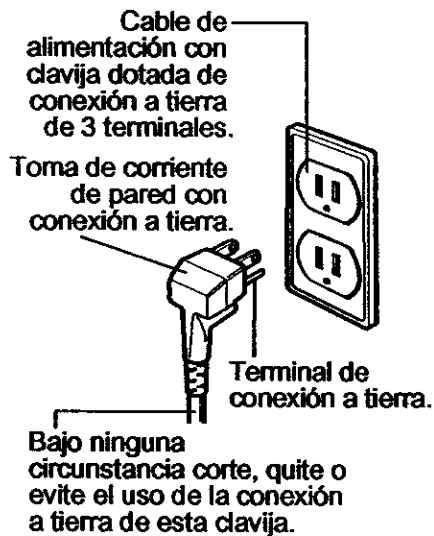
Conecte en una conexión de pared de 3 terminales

No quite la terminal de conexión a tierra

No use adaptadores

No use cable eléctrico de extensión

Si no se siguen estas instrucciones, puede ocasionarse la muerte, un incendio o un choque eléctrico.



ESPAÑOL

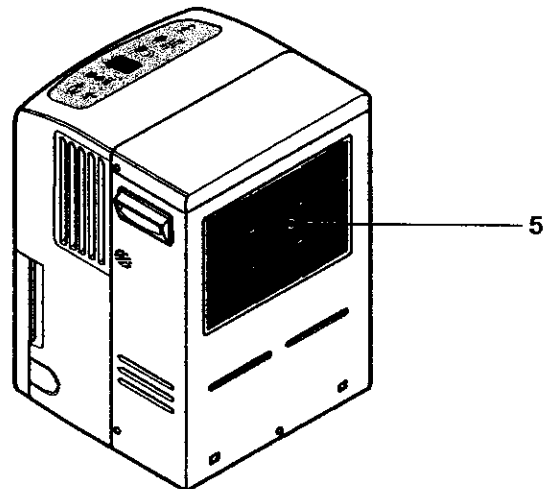
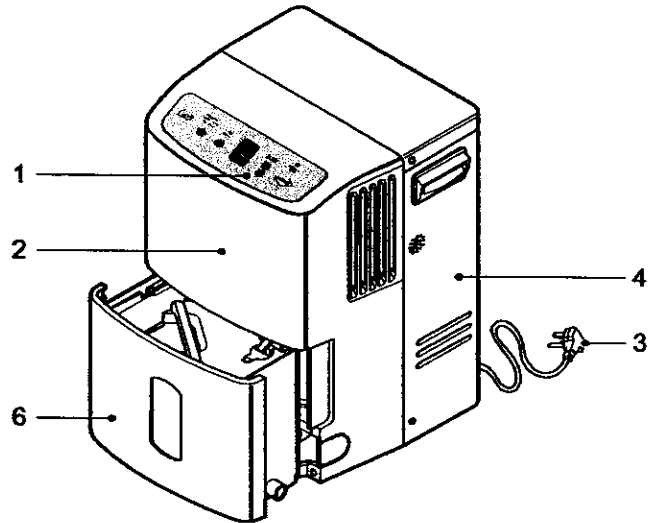
FUNCIONAMIENTO

CARACTERÍSTICAS

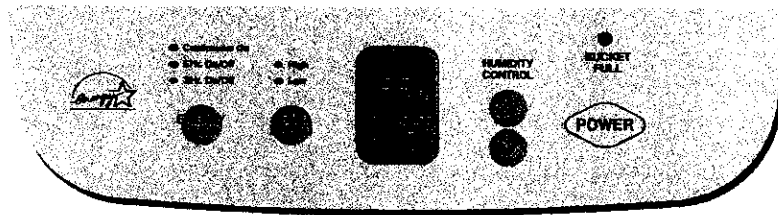
⚠ ADVERTENCIA

Para reducir el riesgo de incendio, choque eléctrico o daños corporales, lea la sección de importantes instrucciones de SEGURIDAD antes de poner a funcionar este aparato.

1. Placa decorativa
2. Rejilla frente
3. Cable alimentación
4. Armario
5. Filtro de aire
6. Tanque de agua



FUNCIONAMIENTO



PANEL DE CONTROL

El panel de control de su deshumidificador incluye un indicador de recipiente de agua lleno (Bucket Full), un indicador del nivel de humedad (Humidity), un botón de encendido y apagado (Power Control), un botón de control del nivel de humedad (Humidity control), un control de velocidad del ventilador (Fan Speed Control), y un botón de control temporizador (Timer Control).

Indicador de recipiente de agua lleno (Bucket Full Indicator) – Este indicador se enciende cuando el recipiente de agua está lleno y necesita vaciarse. También se enciende cuando el recipiente de agua no está colocado correctamente.

Botón de encendido y apagado (Power) – El deshumidificador comienza a funcionar cuando se oprime este botón y deja de hacerlo al volver a oprimirlo.

Botón de control del nivel de humedad (Humidity Control) – Este botón controla el nivel de humedad en la habitación.

- : Para elevar el valor del nivel de humedad
- : Para reducir el valor del nivel de humedad
- El nivel de humedad puede fijarse en un rango de 35% a 70% de humedad relativa, en incrementos de un 5% de cada vez
- Si oprime el botón de nuevo una vez alcanzado un nivel de humedad relativa del 35%, se muestra *DN* y la unidad opera sin un nivel de humedad relativa.

Botón de control de velocidad del ventilador (Fan Speed) – Este botón controla la velocidad del flujo de aire.

- Cuando se oprime el botón de control de velocidad del ventilador, el modo de velocidad del ventilador varía de High → Low → High (Alta → Baja → Alta.)

Botón temporizador de energía (Energy Timer) – Oprima este botón para seleccionar el tipo de funcionamiento.

- Seleccione Constant (Constante) para un funcionamiento ininterrumpido.
- Seleccione bien 3 o 6 Hr On/Off para funcionamiento cíclico, en ciclos de 3 o 6 horas.
La unidad funcionará durante 3 o 6 horas y luego se apagará completamente durante otras 3 o 6 horas.
El ciclo se repite hasta que cambie el modo de funcionamiento.
- Cuando se oprime el botón temporizador de energía, las luces indicadoras del temporizador varían según se indica a continuación: Continuous On → 3 Hr On/Off → 6 Hr On/Off → Continuous On (Encendido sin interrupción → encendido y apagado cada 3 horas → encendido y apagado cada 6 horas → encendido sin interrupción)

Reencendido automático (Auto Restart) – Una vez vuelve la electricidad después de una interrupción del suministro eléctrico, la unidad comienza a funcionar de nuevo en los parámetros de funcionamiento anteriores después de un tiempo de espera de 2 minutos.

FUNCIONAMIENTO DEL DESHUMIDIFICADOR

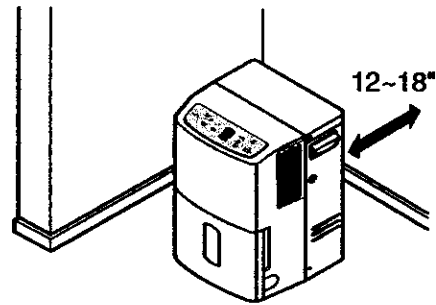
1. Conecte el enchufe en una toma de pared. Pulse el botón de encendido.
2. Configure el control de humedad entre el 35% HR(Humedad Relativa) y 70% HR(Humedad Relativa) para obtener un funcionamiento normal.
Si prefiere un mayor grado de sequedad en el aire, oprima el botón de control de humedad (Humidity Control)
Si prefiere un mayor grado de humedad en el aire, oprima el botón de control de humedad (Humidity Control)
3. Pulse el botón de encendido para detener la unidad manualmente.
4. Apriete el botón del Reloj al conjunto la cantidad de tiempo usted quiere que la unidad a corra.
A fines de ese tiempo, la unidad apagará.
El Reloj se puede poner para: la Continuous, 3 horas o 6 horas.
5. Si desea controlar la velocidad de la corriente de aire, pulse el botón de velocidad del ventilador. Cada vez que pulse este botón, se cambiará el modo de velocidad del ventilador: Alto → bajo → Alto.

Nota: es importante no perder el tanque del agua.

Este deshumidificador no funcionará si no tiene el tanque de agua debidamente instalado.

INSTALACIÓN DEL DESHUMIDIFICADOR

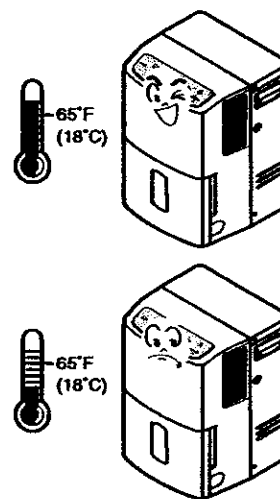
- Instale el deshumidificador en un piso nivelado lo suficientemente sólido como para soportar la unidad con el recipiente lleno de agua.
- Para lograr un máximo rendimiento, deje un espacio libre de 12 a 18 pulgada en todo el espacio que circunde al aparato con objeto de mantener una buena circulación de aire.
- Mantenga todas las puertas, ventanas y otras entradas de aire cerradas al operar el deshumidificador. El aire húmedo del exterior hará que el aparato trabaje en exceso.
- Instale su deshumidificador en una zona en que la temperatura no baje a menos de 65°F (18°C). A menor temperatura, el serpentín del aparato podría cubrirse de escarcha. Por lo tanto el desempeño de dehumidifying se puede reducir.



CONTROL DE DESCONGELAMIENTO

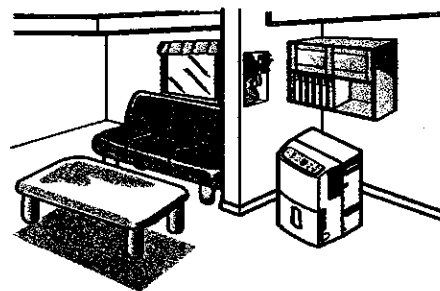
Cuando el control de descongelamiento detecta la formación de escarcha en el serpentín del evaporador, automáticamente desconecta el compresor. El ventilador seguirá funcionando para hacer que el aire pase por el serpentín y derrita la escarcha. Cuando se derrite la escarcha, el compresor arranca de nuevo automáticamente y comienza a haber deshumidificación.

Al accionar la función "defrost(descongelar)" en el modelo 580.53701 el ciclo operará continuamente hasta alcanzar los 43°F (6°C).



SELECCIÓN DEL LUGAR ADECUADO

- Use el deshumidificador en un sótano para ayudar a evitar los daños que causa la humedad.
- Use el deshumidificador al cocinar, al lavar la ropa, al bañarse y en lugares en que lava la vajilla en que hay demasiada humedad.
- Use el deshumidificador para evitar los daños que causa la humedad en libros y objetos valiosos almacenados.



APAGADO AUTOMÁTICO

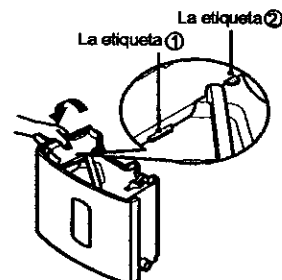
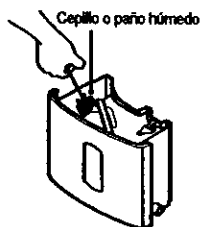
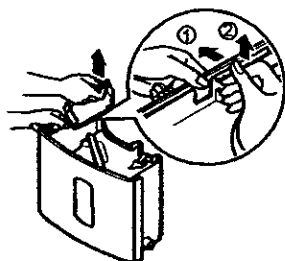
Cuando el cubo esta repleto, o cuando el cubo no esta en la posicion apropiada, el Cubo Repleto ligero prende y la unidad apaga automaticamente.

Tambien, cuando cubo es fuera de posicion, la unidad hace pip pip 3 times.

La cubeta debe ser re-ubicado en la posición apropiada para que el deshumedecedor funcione. La luz será encendida y el deshumedecedor no funcionará si la cubeta no está en la posición apropiada.

LIMPIEZA DEL RECIPIENTE DE AGUA

- 1. Saque la tapa del recipiente de agua.**
 - Coloque el pulgar en la posición ① y tire hacia afuera. Coloque la otra mano en la posición ② y tire hacia arriba.
- 2. Limpie el interior del recipiente con un cepillo o paño húmedo.**
 - Recomendamos utilizar una solución jabonosa suave.
- 3. Vuelva a colocar la tapa del recipiente de agua en su lugar.**
 - Asegúrese de que los salientes ① y ② están colocados según muestra la ilustración.



EXTRACCIÓN Y VACIADO DEL RECIPIENTE DE AGUA

- 1. Vaciado manual del recipiente**
- 2. Conecte una manguera de jardín a la conexión de rosca para manguera de drenaje del recipiente de agua, para llevar el agua hasta el desagüe**

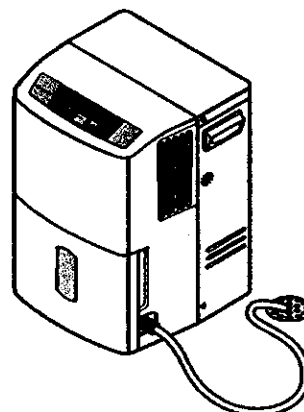
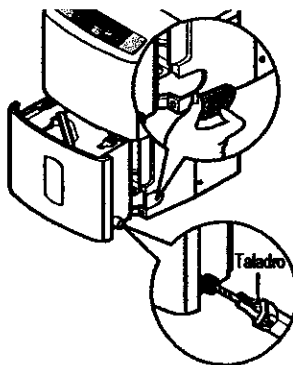
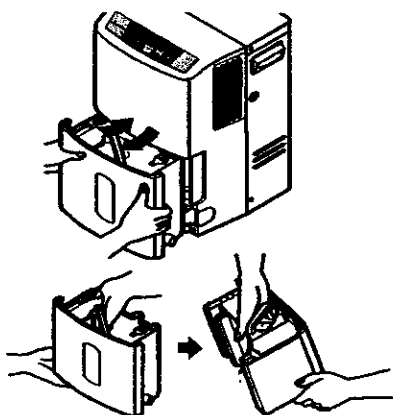
Cuando el recipiente esté lleno, sáquelo y vacíelo en una palangana o cubeta y luego vuelva a colocarlo en su lugar de modo adecuado.

- No apriete demasiado la manguera al conectarla al recipiente. Utilice una arandela de goma y apriétela a mano firmemente sin romper las tiras de plástico.
- Tenga cuidado al sacar el recipiente, puesto que puede causar daños.
- No agite el recipiente durante el transporte. Puede causar la rotura del asa o de la tapa del recipiente. Es aconsejable transportar el recipiente sosteniéndolo por la parte inferior.

El recipiente tiene una conexión de rosca para manguera que puede dejarse abierta. Taladre un orificio de 6,4 mm de diámetro (1/4") en el centro de la conexión para manguera. Una vez abierto, el orificio para la manguera drenará el agua del recipiente de modo continuo.

- No puede colocarse la boquilla después de abrir el orificio. Utilice una tapa de manguera de jardín normal para volver a cerrarlo si fuera necesario.
- La ligera elevación de la punta inferior del recipiente al colocarlo en la unidad facilita su inserción.

- Asegúrese de que la manguera no se eleva ni se tuerce una vez unida a la conexión de drenaje del recipiente. Debería ir de forma plana desde el deshumidificador hasta el desagüe.
- El dispositivo para mangueras admite mangueras de jardín estándar. Puede colocar una tapa de rosca para utilizar el recipiente sin manguera.



ESPAÑOL

MANTENIMIENTO

LA REJILLA Y EL GABINETE

Para limpiar el gabinete: Use agua y un detergente suave. No use blanqueador ni limpiadores abrasivos.

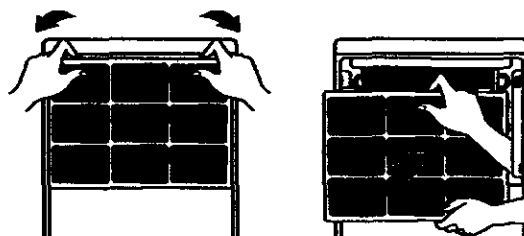
Para limpiar la rejilla: Use una aspiradora con un cono o cepillo.

FILTRO DE AIRE

El filtro de aire se encuentra en la parte posterior del deshumidificador. Debe revisarse y limpiarse cuando menos cada 30 días o más frecuentemente si es necesario.

PARA RETIRARLO:

Flexione el filtro en la esquina inferior derecha y deslice la esquina superior derecha hacia la izquierda. Lávelo con agua jabonosa tibia. Enjuáguelo y déjelo secar antes de volverlo a colocar.

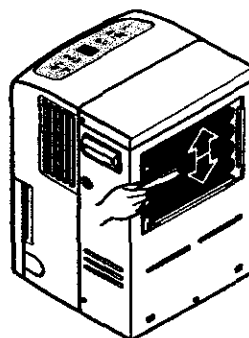


LIMPIEZA INTERNA DE LA UNIDAD

Después de quitar el filtro de aire, limpie el serpentín interno con un cepillo suave para quitar las partículas no adheridas o húmedas.

NOTA: No deje que el agua entre en el compartimiento eléctrico/mecánico en la abertura circular situada detrás del serpentín.

No rocíe el serpentín con manguera.

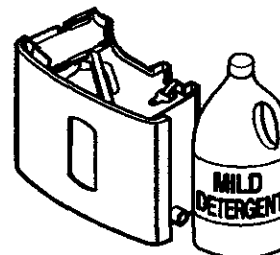


LIMPIEZA GENERAL


- Quite el polvo de la rejilla y de los paneles laterales con un cepillo suave o use el cepillo de su aspiradora.
- Si el gabinete se despostilla, puede retocar la pintura con un esmalte de buena calidad para evitar que se oxide.

LIMPIEZA DEL RECIPIENTE DE AGUA

- Cada dos o tres semanas, enjuague el interior del recipiente con detergente suave para evitar la formación de moho, humedad o bacterias.



SOLUCIÓN DE PROBLEMAS

Problema	Causa posible	Solución
<i>El deshumidificador no arranca.</i>	El cable de alimentación del deshumidificador está desenchufado.	• Cerciórese de que la clavija del cable de alimentación del deshumidificador esté bien puesta en la conexión de pared.
	El fusible está quemado o el disyuntor del circuito está abierto.	• Revise la caja del disyuntor del circuito del fusible y cambie el fusible o vuelva a cerrar el disyuntor.
	El recipiente de agua está lleno.	• El deshumidificador se apaga automáticamente cuando esto sucede. Vacíe el recipiente de agua.
	El recipiente de agua no está instalado.	• Cerciórese de que el recipiente esté en el lugar correcto.
<i>El deshumidificador no seca el aire como debería</i>	No ha dejado suficiente tiempo para que seque el aire.	• Cuando se instala por primera vez, deje que pasen 3 o 4 días para que se mantenga la sequedad deseada.
	Hay escasa circulación de aire.	• Cerciórese de que no haya cortinas, persianas o muebles que bloqueen la parte anterior o posterior del deshumidificador.
	Puede que el control de humedad no esté fijado en un valor lo suficientemente bajo.	• Pulse el  botón de control de humedad a humedad baja.
	Las puertas y ventanas no están bien cerradas.	• Revise que todas las puertas, ventanas y otras aberturas están bien cerradas.
	El secador de ropa podría estar generando aire húmedo en el recinto.	• Instale el deshumidificador lejos de la secadora de ropa. Ésta debe arrojar el aire caliente fuera del recinto.
	La temperatura del recinto está demasiado baja.	• La unidad no funcionará satisfactoriamente si la temperatura del recinto es inferior a 65°F (18°C).
<i>El deshumidificador trabaja demasiado</i>	El volumen de aire por deshumidificar es excesivo.	• Verifique con su vendedor si la capacidad es la adecuada
	Las puertas y ventanas están abiertas.	• Cierre todas las puertas y ventanas que den al exterior.
<i>Se forma escarcha en el serpentín.</i>	El deshumidificador ha sido encendido hace poco o la temperatura del recinto es inferior a 65°F (18°C).	• Es normal. La escarcha normalmente desaparecerá en 60 minutos
<i>El ventilador hace ruido.</i>	Hay circulación de aire alrededor del deshumidificador.	• Es normal.
<i>Hay agua en el piso.</i>	La conexión de la manguera de drenaje que va al recipiente de agua está floja.	• Revise si la manguera está instalada.
	El recipiente de agua no está bien colocado.	• Verifique la posición correcta del Recipiente de Agua, Página 9.

NOTA

A series of horizontal dotted lines for writing notes.

NOTA

A series of horizontal dotted lines for writing.

ESPAÑOL