

This Owner's Manual is provided and hosted by [Appliance Factory Parts](#).



# Kenmore 580.53701300 Owner's Manual

[Shop genuine replacement parts for Kenmore  
580.53701300](#)



[Find Your Kenmore Dehumidifier Parts - Select From 135 Models](#)

----- Manual continues below -----

**SEARS**

**REPAIR  
PARTS  
LIST**

Model No.  
580.53701300

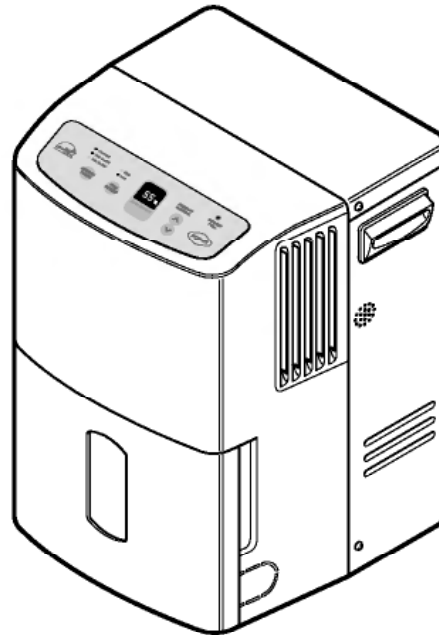
To Call  
Toll Free  
For Parts:

1-800-366-PART  
(1-800-366-7278)

For Service:

1-800-4-MY-HOME  
(1-800-469-4663)

**Kenmore®**  
**DEHUMIDIFIER**



The model number of your Dehumidifier can be found on the name plate on the front of the unit behind the condensate bucket

All repair parts listed are available for immediate purchase or special order when you visit your nearest Sears Service Center, or the Service Department at most Sears stores. To order parts by phone, call the toll free parts number listed to the left.

When requesting service or ordering parts, always provide the following information:

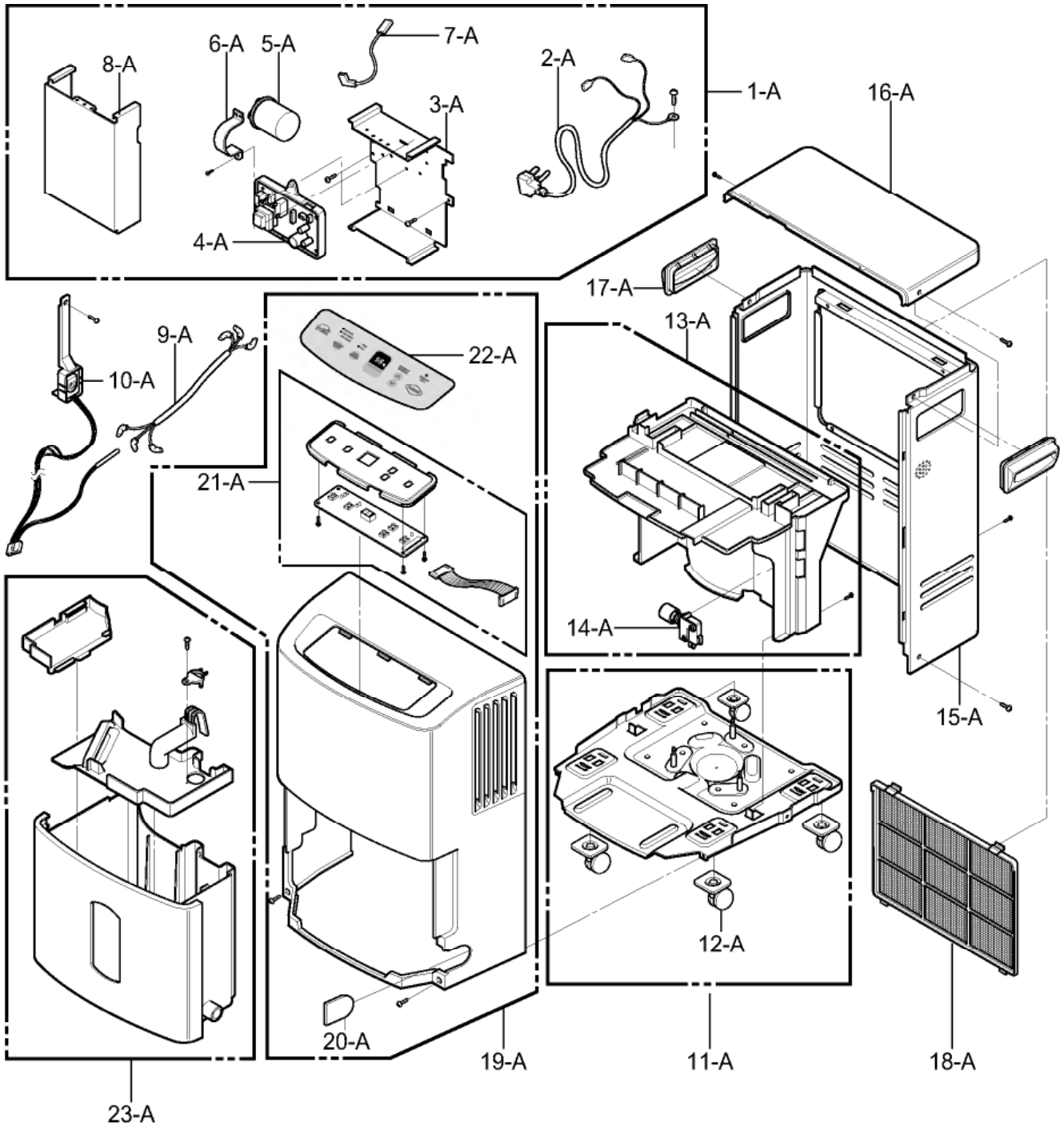
- ◆ Product Type
- ◆ Model Number
- ◆ Part Number
- ◆ Part Description

Dehumidifier  
Model No. 580.53701300

To order Parts call Toll Free  
1-800-4-MY-HOME (1-800-469-4663)

CAUTION: Use the Kenmore part number on all orders, not the illustration number.

### OUTER CASE PARTS AND CONTROL PARTS



CAUTION: Use the Kenmore part number on all orders, **not** the illustration number.

### OUTER CASE PARTS AND CONTROL PART

---

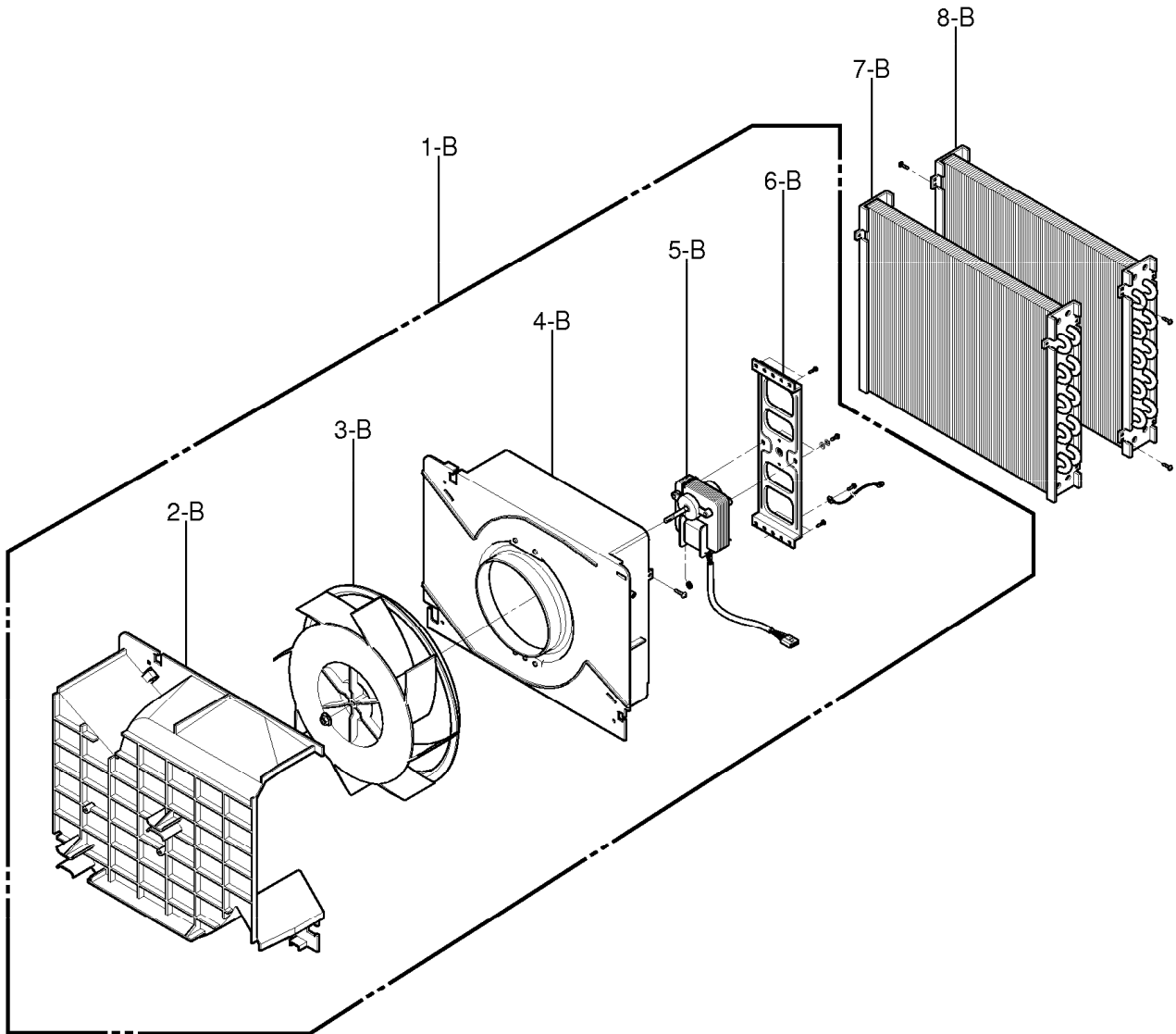
ILLUSTRATION NUMBER	PART NUMBER	DESCRIPTION
1 - A	4995A10074K	CONTROL BOX ASSEMBLY, SINGLE(LOWER)
2 - A	6411A20001Z	POWER CORD ASSEMBLY
3 - A	4994A20056B	CONTROL BOX, SINGLE(LOWER)
4 - A	6871A10092J	PWB(PCB) ASSEMBLY, MAIN
5 - A	0CZZA20005J	CAPACITOR, DRAWING
6 - A	4H00442J	CLAMP CAPICATOR
7 - A	6862A20013R	CONNECTOR, ASSEMBLY
8 - A	4994A20057B	CONTROL BOX, SINGLE(UPPER)
9 - A	6877A20025J	CONNECTOR, ASSEMBLY
10 - A	6877A30013H	SENSOR ASSEMBLY
11 - A	3041A10028D	BASE ASSEMBLY, SINGLE
12 - A	4441A30001B	CASTER ASSEMBLY, ROLLER
13 - A	3087A10011D	DRAIN PAN, ASSEMBLY
14 - A	6600A30003C	SWITCH ASSEMBLY, MICRO
15 - A	3091A20015J	CABINET ASSEMBLY, SINGLE
16 - A	3551A20096B	COVER ASSEMBLY, TOP
17 - A	3650A20003B	HANDLE
18 - A	5230A20026C	FILTER, AIR
19 - A	3111A10016E	CASE ASSEMBLY, SINGLE
20 - A	3550A30193A	DRAIN COVER
21 - A	3551A10024B	COVER ASSEMBLY, DISPLAY
22 - A	3831A20057B	ESCUTCHEON
23 - A	4839A10001F	TANK ASSEMBLY, BUCKET

# = Functional Parts

\* = Non-illustrated Parts

CAUTION: Use the Kenmore part number on all orders, **not** the illustration number.

### CYCLE PARTS



CAUTION: Use the Kenmore part number on all orders, **not** the illustration number.

### CYCLE PARTS

---

ILLUSTRATION NUMBER	PART NUMBER	DESCRIPTION
1 - B	3661A10019B	HOUSING ASSEMBLY
2 - B	3660A10003A	HOUSING, SINGLE
3 - B	5900A20032A	FAN, TURBO
4 - B	4948A10023B	ORIFICE
5 - B	4681A20040F	MOTOR ASSEMBLY, SINGLE
6 - B	4960A20009B	MOUNT, MOTOR
7 - B	5403A20114E	CONDENSER ASSEMBLY
8 - B	5421A10033B	EVAPORATOR ASSEMBLY

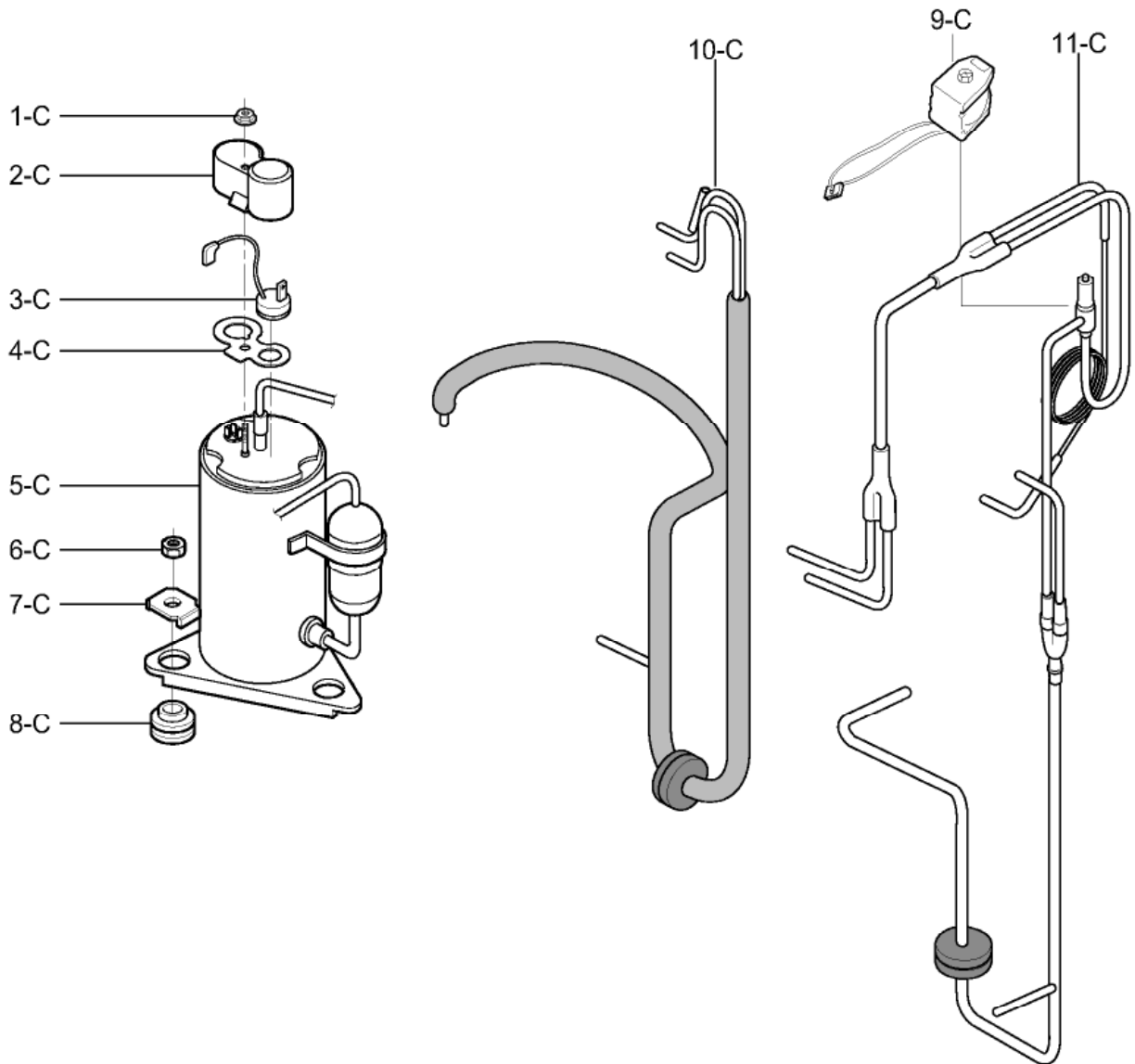
# = Functional Parts

\* = Non-illustrated Parts

CAUTION: Use the Kenmore part number on all orders, not the illustration number.

### COMPRESSOR PARTS

---



CAUTION: Use the Kenmore part number on all orders, **not** the illustration number.

## COMPRESSOR PARTS

---

ILLUSTRATION NUMBER	PART NUMBER	DESCRIPTION
1 - C	1NZZUTL001A	NUT, DRAWING
2 - C	3550UTL006A	TERMINAL COVER
3 - C	6750U-L048A	O.L.P.
4 - C	4986UTL001G	GASKET
5 - C	2520UCBA004	COMPRESSOR, SET
6 - C	1NHA0801206	NUT, HEXAGON
7 - C	4810AR4155A	BRACKET, COMP
8 - C	4830A30005A	BUSHING
9 - C	6421A20003K	COIL SOLENOID ASSEMBLY
10 - C	5211A20868B	TUBE ASSEMBLY, SUCTION
11 - C	5211A20869B	TUBE ASSEMBLY, DISCHARGE

# = Functional Parts

\* = Non-illustrated Parts

# Get it fixed, at your home or ours!

## Your Home

For repair – **in your home** – of **all** major brand appliances, lawn and garden equipment, or heating and cooling systems, **no matter who made it, no matter who sold it!**

For the replacement parts, accessories and owner's manuals that you need to do-it-yourself.

For Sears professional installation of home appliances and items like garage door openers and water heaters.

**1-800-4-MY-HOME<sup>®</sup>** (1-800-469-4663)

Call anytime, day or night (U.S.A. and Canada)

[www.sears.com](http://www.sears.com)    [www.sears.ca](http://www.sears.ca)

## Our Home

For repair of carry-in items like vacuums, lawn equipment, and electronics, call or go on-line for the location of your nearest **Sears Parts & Repair Center.**

**1-800-488-1222**

Call anytime, day or night (U.S.A. only)

[www.sears.com](http://www.sears.com)

To purchase a protection agreement (U.S.A.) or maintenance agreement (Canada) on a product serviced by Sears:

**1-800-827-6655** (U.S.A.)

**1-800-361-6665** (Canada)

Para pedir servicio de reparación a domicilio, y para ordenar piezas:

**1-888-SU-HOGAR<sup>SM</sup>**

(1-888-784-6427)

Au Canada pour service en français:

**1-800-LE-FOYER<sup>MC</sup>**

(1-800-533-6937)

[www.sears.ca](http://www.sears.ca)

# SEARS

<sup>®</sup> Registered Trademark / <sup>™</sup> Trademark / <sup>SM</sup> Service Mark of Sears, Roebuck and Co.

<sup>®</sup> Marca Registrada / <sup>™</sup> Marca de Fábrica / <sup>SM</sup> Marca de Servicio de Sears, Roebuck and Co.

<sup>MC</sup> Marque de commerce / <sup>MD</sup> Marque déposée de Sears, Roebuck and Co.

© Sears, Roebuck and Co.

Part No.: 3828A20090L