

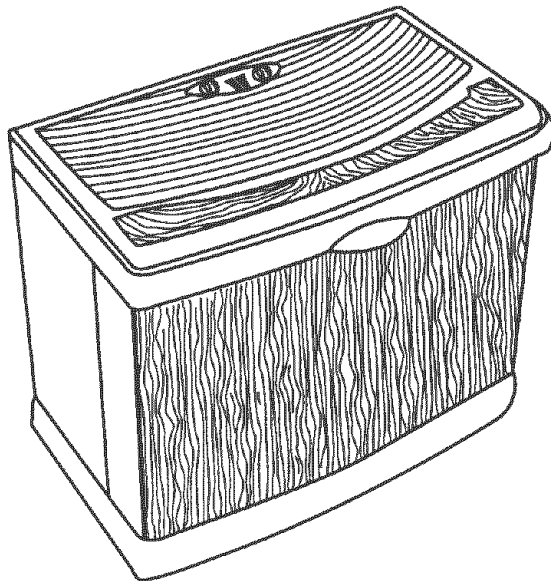
READ AND SAVE THESE INSTRUCTIONS

Operator's Manual



WHOLE HOUSE HUMIDIFIER

14 Gallon Output with
Innovative Twin Fan Technology
Model 758.154140



CAUTION: Before using this product, read this manual and follow all its Safety Rules and Operating Instructions.

- Safety
- Assembly
- Operation
- Maintenance
- Parts
- Español, p. 17

Sears, Roebuck and Co., Hoffman Estates, IL 60179 U.S.A.
www.sears.com

ONE YEAR FULL WARRANTY ON KENMORE HUMIDIFIER

If any part of this humidifier fails due to a defect in material or workmanship within one year from the date of purchase, or if the humidifier motor fails due to a defect in material or workmanship during the second year from the date of purchase, RETURN THE HUMIDIFIER TO THE NEAREST SEARS PARTS & REPAIR CENTER, and it will be repaired free of charge. This warranty does not include humidifier filters, which are expendable parts that can wear out from normal use in less than one year. This warranty gives you specific legal rights, and you may also have other rights which vary from state to state.

Sears, Roebuck and Co., Dept. 817WA, Hoffman Estates, IL 60179

GENERAL SAFETY INSTRUCTIONS

Safety Signal Words

DANGER: means if the safety information is not followed someone **will** be seriously injured or killed.

WARNING: means if the safety information is not followed someone **could** be seriously injured or killed.

CAUTION: means if the safety information is not followed someone **may** be injured.

1. To reduce the risk of fire or shock hazard, plug humidifier directly into a 120V, A.C. electrical outlet. Do not use extension cords.
2. Keep the electric cord out of traffic areas. To reduce the risk of fire hazard, never put the electric cord under rugs, near heat registers, radiators, stoves or heaters.
3. Always unplug the humidifier before moving it, before cleaning, or whenever the humidifier is not in service.
4. Keep the humidifier clean.
5. Do not put foreign objects inside the humidifier.
6. Do not allow to be used as a toy. Close attention is necessary when used by or near children.
7. Never use your humidifier while any part is missing or damaged in any manner.
8. To reduce the risk of electrical hazard or damage to humidifier, do not tilt, jolt or tip humidifier while unit is running.
9. To reduce the risk of damage to humidifier, unplug when not in use.
10. To reduce the risk of accidental electrical shock, do not touch the cord or controls with wet hands.
11. Note the warning label shown below.

WARNING: To reduce risk of fire, electric shock, or injury always unplug before servicing or cleaning.

Table of Contents

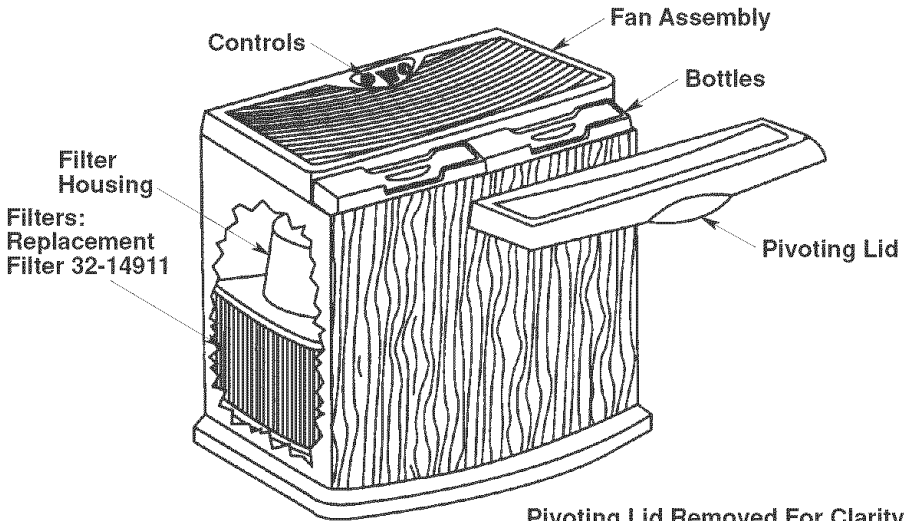
Warranty Information.....	2	Water Fill.....	6-7
General Safety Instructions	2	Operating Humidifier Controls	7-8
To Save A Service Call	3	Using Your Humidifier	8-9
Know Your Humidifier	3	Operating Tips for Best Performance	9
How Your Humidifier Works	4	Replacement and Care of Filters.....	9-11
Assembly	4	Cleaning and Maintenance	11-12
Location Instructions	5	Troubleshooting	13
Electrical Hook-Up	5	Repair Parts.....	14-15

To Save A Service Call

Check the following if your humidifier is not operating.

1. Is power cord attached to outlet?
2. Is there electrical power to outlet?
3. Is airflow control in operating position?
4. Is humidity control set high enough?
5. Is the cabinet sitting on a level surface?

Know Your Humidifier



Description	758.154140
* Gallon Output/24 hrs	14
Capacity of Bottles	2-3/8 Gallons Each
* Sq. Ft. Coverage	2900
Fan Speeds	3
Filters	Set of 4 (32-14911)
Independent Bottle Gauges	Yes
Fill Indicator	Yes (Independent Bottle)
Auto Shut Off	Yes
Auto Humidistat	Yes
Controls	Rotary
CUL Listed	Yes
Volts	120 A.C.
Hertz	60
Amps	2.88
Watts	165

* Based on an area with average insulation and an 8 foot ceiling height

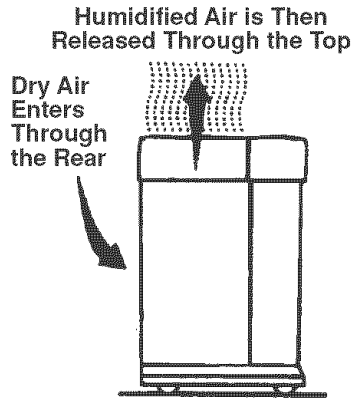
ANSI/AHAM HU-1-1997, SEC. 8.1

How Your Humidifier Works

Your new Kenmore humidifier is designed to satisfy home humidity requirements through the principle of evaporation of water in the air.

After water is added to the bottle, the filters begin to soak up the water and become totally saturated in approximately 30 minutes. Air is drawn in from the rear of the humidifier and through the filters by means of circulation fans. As air passes through the filters, moisture is absorbed into the air and then released in the form of vapor. No water droplets will enter the home. All evaporation into the air takes place in the humidifier, which means that the residue left by evaporating water is not passed into the home, but remains in the filter.

CAUTION: Use only 32-14900 EPA Registered Bacteriostat available from Sears Retail store. Under no circumstances should you use water treatment products designed for Roto belt or Ultrasonic humidifiers.



CAUTION: To reduce the risk of injury, fire or damage to humidifier, use only cleaners specifically recommended for humidifiers. Never use flammable, combustible or poisonous materials to clean your humidifier.

To reduce the risk of scalds and damage to humidifier, never put hot water in humidifier.

Assembly

Your new Sears Kenmore humidifier is completely assembled for you to use. Remove the bag pack containing two plastic caster pads from top of humidifier and retain for future use if required. See the following Step 1 for instructions.

Remove the packaging material from inside your humidifier and follow the instructions of this operator's manual for proper usage. The packaging material is located under the fan assembly. Remove the packaging material and discard.

Location Instructions

WARNING: For your own safety, do not use humidifier if any parts are damaged or missing.

Step 1:

Place humidifier on a flat level surface in an area of your house where humidity is needed most, or in an area which would likely result in moist air being circulated throughout the house, such as near a cold air return.

Placing the unit level is very important if the humidifier is located on carpeting.

NOTE: The 14 gallon humidifier contains water bottles. The weight of the bottles in the front of the cabinet may cause the front casters to sink deeper into the carpet. If this happens, the water level will be higher towards the front of the humidifier, and lower towards the back. The water level float (located at the rear of the cabinet) may not sense the water so the fill light will be on and the unit will not energize. If this happens, the unit will need to be leveled in order for the humidifier to be energized. To level the humidifier when located on carpet, place the included caster pads under the front two casters of the humidifier only.

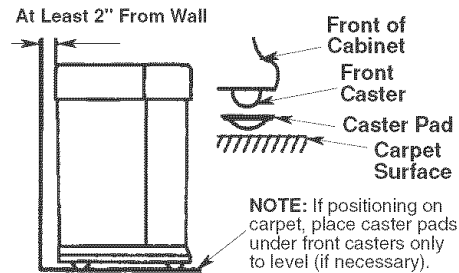
NOTE: Due to release of cool, moist air from humidifier, it is best to direct air away from home thermostat and hot air registers. It is best to position humidifier next to an inside wall. Hot air registers

and cold air from outside walls can affect the efficiencies of the controls. Unit should not be placed where warm air from a hot air register blows directly on unit.

Moist air (humidity) produced will disperse into the whole house, but area closest to the unit will have the highest humidity. If the unit is positioned close to a window, condensation may form on the window pane. If this is not appropriate the unit should be repositioned in another location.

Step 2:

The humidifier should be positioned with the back (cord exit side), at least 2 inches away from the wall. Air needs to enter through the louvers in the rear panel in order for the humidifier to operate at peak efficiency.



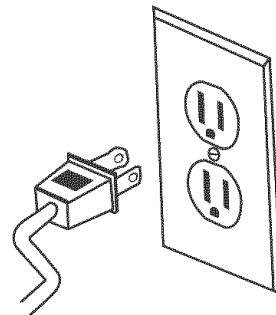
Electrical Hook-Up

Locate nearest 120V A.C. wall socket in the location desired, preferably on inside wall. With the humidifier in the desired location, route the electrical cord safely so no one will trip or upset the humidifier. Plug in the electrical cord.

WARNING: To reduce the risk of fire or shock hazard, humidifier should be plugged into a 120V A.C. outlet. Do not use extension cords.

To reduce the risk of electrical shock, this humidifier has a polarized plug (one blade is wider than the other). This plug will fit in a polarized outlet only one way.

If the plug does not fit fully in the outlet, reverse plug. If it still does not fit, contact a qualified electrician to install the proper outlet. Do not change the plug in any way.



Water Fill

WARNING: To reduce the risk of shock, always unplug humidifier before cleaning or servicing.

WARNING: To reduce the risk of fire or shock hazard, do not pour or spill water into control or motor area. If controls get wet, let them dry completely and have unit checked by authorized service personnel before plugging in.

This humidifier is designed for use with the two water bottles that are located under the pivoting lid.

Open the pivoting lid of the humidifier. Remove the water bottles by lifting them straight up and out of the cabinet.

Notice the water bottles are designed as right and left hand units. Position them in the correct location so the humidifier can function properly. The water bottles should rest in the front of the cabinet. Each "E-Z-Fill Side-Cap" must be facing the rear of the unit.

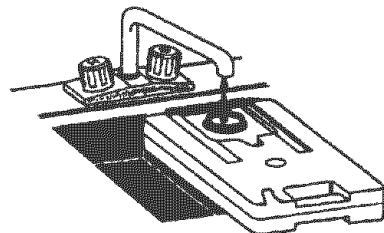
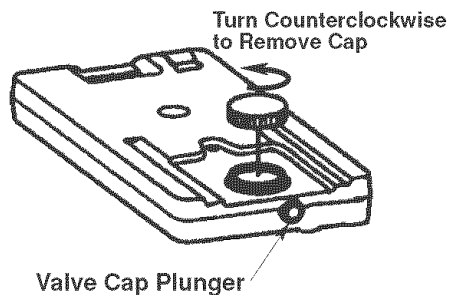
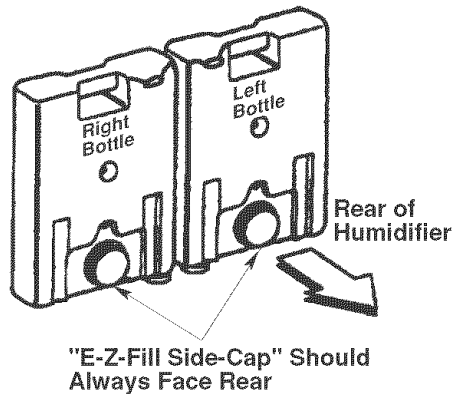
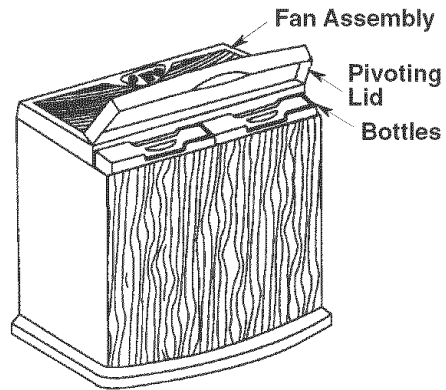
Each water bottle is designed with an "E-Z-Fill Side-Cap" that is easily removable. Remove the "E-Z-Fill Side-Cap" on the side of the water bottle by twisting counterclockwise.

Place the opening of the water bottle under a water faucet (the bottle should fit under a four-inch clearance faucet). Fill with recommended mixture of cold water and Sears Bacteriostat #32-14900 (if necessary) only. Solid debris could make the valve leak.

Install the "E-Z-Fill Side-Cap" by twisting clockwise. Hand tighten only.

Check for possible leaks by performing the following:

1. Grasp bottle handle and hold the bottle upright over a sink.
2. Press up on the valve cap plunger for about one second to let out a little water.
3. Release the plunger.
4. Listen for air bubbles. Look for leaks around the "E-Z-Fill Side-Cap".
5. If you hear air bubbles or see leaks, retighten the "E-Z-Fill Side-Cap" and repeat Steps 1-4.



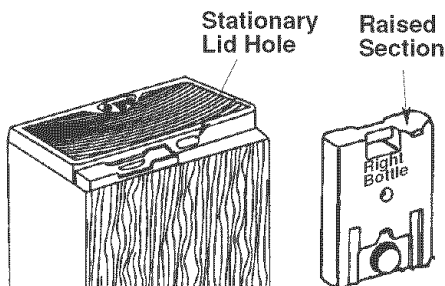
Water Fill (continued)

Wipe off excess water from the bottle.

Position the water bottle back into the unit by grasping the water bottle handle and lower it into the cabinet until the bottle sits on pads at bottom of cabinet. The "E-Z-Fill Side-Cap" must be facing the rear of the cabinet. When positioned properly, the plunger will open and water will flow into the cabinet. The water level will automatically remain at approximately 1/2" until the bottles are empty.

Allow the filter to saturate for 30 minutes before operation.

NOTE: Ensure that the raised section of the water bottle falls into the hole in stationary lid in order for the bottle gauges to function properly.



Pivoting Lid Removed for Clarity

Operating Humidifier Controls

The operating controls of your Kenmore Quiet Comfort whole house humidifier are located on the top center of the humidifier. The controls are found under the smoked control cover, located between the air circulating fans.

Lift the control cover by placing your finger in the round cutout and lifting. The cover will stay open. Now you can clearly see the controls area. Familiarize yourself with the controls and reference the diagram of the control area for the correct naming used in this manual.

To Operate the Controls

Humidity Control:

Adjust the amount of humidity depending on your needs. The humidifier will turn on the off as required to maintain level of humidity selected. A medium setting is recommended, but there are times when low or high amount of humidity may be preferred. For constant operation of humidifier, rotate humidity knob all the way clockwise. This allows for the maximum amount of humidity to be evaporated into the air continuously.

IMPORTANT: Water damage may result if condensation starts to form on windows or walls. Humidity Control setting should be lowered until condensation no longer forms.

Speed Control:

The unit is adjusted from off "I" to high "•••" with a rotary speed control. The higher the air flow speed, the more water is evaporated and released into the air. Low speed "•" is the quietest and is provided for conditions that may not require as high an evaporation rate.

VISI-FILL Water Bottle Gauges and Fill Lights:

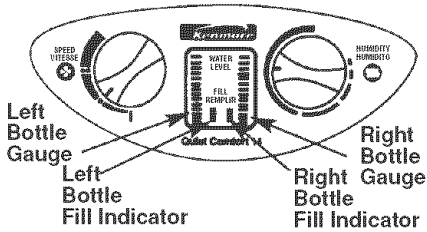
This humidifier is equipped with independent (left and right) water level bottle gauges. When the unit is energized the center area of the control panel containing the gauges and fill indicators will illuminate red to depict the operation mode. The right bottle as viewed from the front of the humidifier will always empty first. As it empties the number of red bars will decrease. When it is totally empty, the fill indicator, beside the bars, will illuminate immediately.

NOTE: The humidifier will not shut off at this stage.

Operating Humidifier Controls (cont'd.)

Once the right bottle empties, the humidifier will begin to use the water from the left bottle until it is depleted. At this time the fill indicator beside it will illuminate. There will still be a slight delay in the unit shutting off while it depletes the water in the bottom of the cabinet. At this time or anytime during normal operation you may fill the water bottles to continue operation.

NOTE: A small amount of water remains in the cabinet after both fill indicators turn on and the unit shuts off.



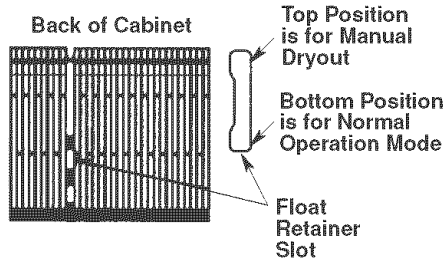
Manual Dryout:

At the end of the humidification season or if you do not plan to run the humidifier for one week or more, you can override the automatic shutoff function to completely dry the humidifier cabinet out.

To do this, simply slide the float retainer located at the back of the humidifier cabinet to the top position of the slot it is located in. This will hold the float in an upward position and the fans will run until you turn the power off.

NOTE: Be sure to position float retainer to the normal operating mode (lowest position in slot) for humidifier operation.

The following diagram is of the slot the float retainer is located in at the back of the cabinet.




Using Your Humidifier


Step 1:

Be sure humidifier is full of water and plugged in.

Step 2:

Set Speed Control "  " to lowest speed "•".

Step 3:

Set Humidity Control "  " to medium position.

NOTE: Humidifier should operate with humidity control on the recommended medium setting. If it does not, the humidity is at a relatively high level.

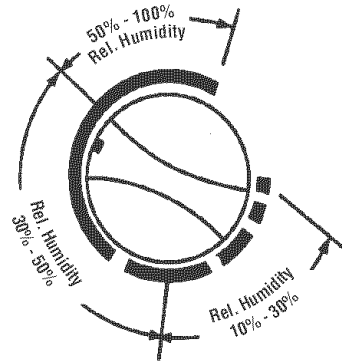
To test the unit under this condition, turn Humidity Control all the way to clockwise and unit should begin to operate. After the unit has been tested, set Humidity Control to medium or desired level.

Step 4:

If humidifier stops running and BOTH Fill Indicators are not on, the humidity level is at the normal requirements for that setting or it is adjusting to the home conditions. The chart on page 9 shows recommended indoor humidity levels. The following figure shows approximate relative humidity percentages which correspond to the various settings of the Humidity Control.

Using Your Humidifier (cont'd.)

When Outdoor Temperature is:	Recommended Indoor Relative Humidity is:
-10°F	20%
0°F	25%
10°F	30%
20°F	35%



Operating Tips for Best Performance

1. Position the humidifier at least 2 inches from any wall and away from any heat registers.
2. Do not restrict airflow from entering or exiting the humidifier.
3. Use Sears recommended bacteriostat 32-14900 to retard bacteria growth that may cause odors and may be harmful to your health.
4. Perform regular cleaning as instructed in "Cleaning and Maintenance" section of this manual.
5. Replace the evaporative wicking filters at least once per humidification season or more depending on water conditions in your area.

Replacement and Care of Filters

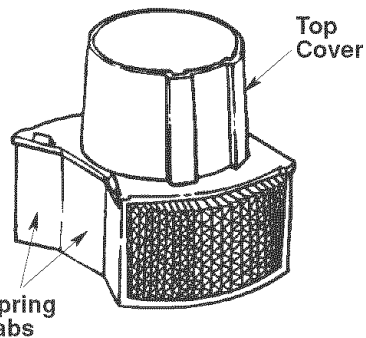
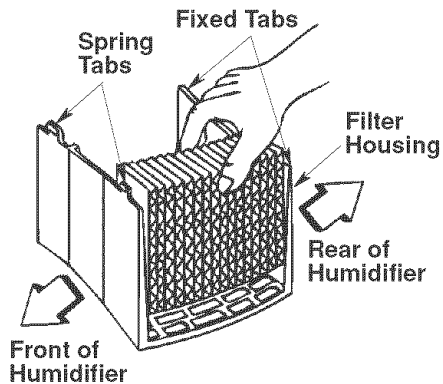
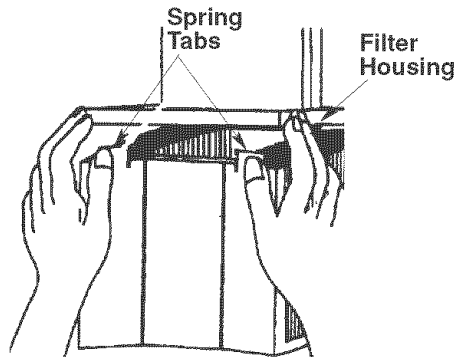
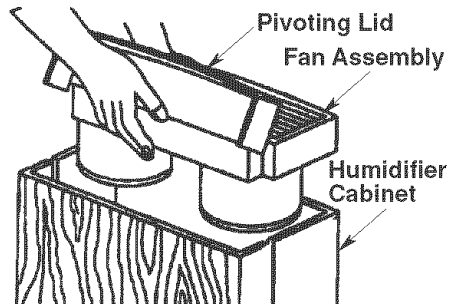
WARNING: To reduce the risk of shock or injury from moving parts, always unplug humidifier before removing or replacing any parts.

CAUTION: To help retard bacteria growth and keep maximum efficiency, the filter should be replaced at least once per season, or more often under hard water conditions. Use Kenmore 32-14911 recommended replacement filter.

The filters may be rinsed periodically in clear water only. Take care not to damage paper. To replace evaporative wicking filters in your Kenmore Quiet Comfort Whole House humidifier, follow these instructions.

Replacement and Care of Filters (cont'd.)

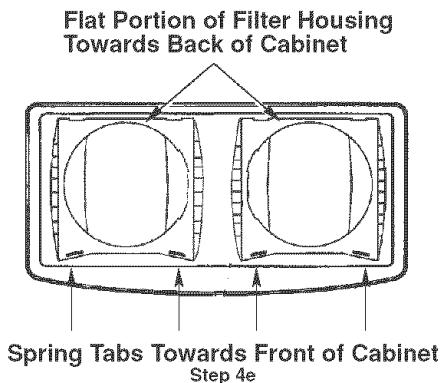
1. Unplug humidifier and proceed to clean. Before removing the filters, we recommend moving the humidifier to an area where floor coverings are not susceptible to water damage, i.e. kitchen or bath areas.
2. Open the pivoting lid and remove water bottles and set aside. Grasp the fan assembly front center and rear center. Lift off and set aside on a clean flat surface. The filter housings are now accessible.
3. Lift filter housing out of cabinet and place where you may work on them comfortably. With a soft, absorbent cloth remove any remaining water or loose mineral deposits not trapped in the filter from the humidifier cabinet.
4. To open filter housing for easy access to filters:
 - a. Deflect the two spring tabs on top of filter housing. Lift top cover off of the filter housing and set aside.
 - b. Remove the two filters and dispose of properly. Clean internal parts of humidifier per the "Cleaning and Maintenance" section of your operator's manual.
 - c. Install new filters in the filter housing track with the glue beads of the wicking pad to the inside of the filter housing.
 - d. Return the top cover of the filter housing by installing cover over the fixed tabs on the rear of the lower filter housing and pivoting the cover down over the top of the filters. Snap the cover over the two spring tabs.
 - e. Replace the filter housing in the cabinet.



Replacement and Care of Filters (cont'd.)

NOTE: There is a front and back orientation. To position the filter housings correctly:

- Be sure that the spring tabs of filter housings are towards front of cabinet.
 - Align the lower portion of the filter assembly over the six ribs located at the bottom rear of the humidifier cabinet.
- f. Position fan assembly onto the cabinet. Make sure the fan venturi (lowest cylinder section below the fan) is placed inside the filter housing.
- g. Replace water bottles.
- h. Close the pivoting lid.
- i. The unit is ready for use or to be stored away for next season.



Cleaning and Maintenance

WARNING: To reduce the risk of injury, fire or damage to humidifier, use only cleaners specifically recommended for humidifiers. Never use flammable, combustible or poisonous materials to clean your humidifier. To reduce the risk of scalds and damage to humidifier, never put hot water in humidifier.

CAUTION: Local water purity varies from area to area and under certain conditions water impurities and airborne bacteria may promote the growth of microorganisms in the reservoir of the humidifier. To retard bacteria growth that may cause odors and be harmful to your health, use only Sears replacement filters. We also recommend using EPA approved bacteriostat, 32-14900 and humidifier cleaner, 32-14713, available at your local Sears store.

NOTE: If it is necessary to use approved bacteriostat, follow directions correctly. The bottles of the whole house humidifier will hold 2-3/8 gallons of water each.

Step 1:

To make cleaning easier, the humidifier cabinet should be empty and completely dried out. To accomplish this, use the following method:

- a. On the back side of the humidifier cabinet, find the float retainer. In normal operating mode, the retainer will be positioned in the bottom of the slot in the cabinet. Push the retainer up to the top slot position in the cabinet until it locks in place. (See "Manual Dryout" section on page 8.)
- b. Allow the humidifier to run until there is no water left in the cabinet.
- c. Unplug humidifier.

WARNING: To reduce the risk of shock, always unplug humidifier before cleaning or servicing. If humidifier is not unplugged, fan could start after housing is removed.

Cleaning and Maintenance (cont'd.)

Step 2:

To Remove Parts

- a. Open the pivoting lid and remove water bottles and set aside. Grasp the fan assembly front center and rear center. Lift off and set aside on a clean flat surface. The filter housings are now accessible.
- b. Before removing the internal parts of the humidifier cabinet, we recommend moving the humidifier to an area where floor covers are not susceptible to water damage, i.e.; kitchen or bath area. Lift the filter housing assemblies out of the cabinet and set to the side.
- c. Remove the water level float from the humidifier cabinet by pinching the float retainer to release it from the cabinet. The cabinet should be empty before cleaning. The cabinet consists of the lower areas of the humidifier where the filters are during normal operation time.
- d. Empty cabinet of any remaining water.
- e. Proceed to "Bi-Weekly Maintenance" or "End of Season Maintenance".
- f. Remove old filters and dispose of properly as described on pages 9 - 11.

Step 3:

Install new filters (purchase the correct evaporative wicking filter pads 32-14911 for your humidifier) into the location where the old filters were positioned. Install the filter housings with the new filters into the correct location. Reinstall the water level float.

NOTE: Float retainer should be positioned in normal operating mode. Assure that it is positioned in the bottom of the slot in the back of the cabinet (See page 8 for diagram of slot).

Position the fan assembly on top of the cabinet and return the humidifier to the desired location for use.

Refill humidifier bottles with fresh cool water and return them to the cabinet. Plug the unit into a 120 volt A.C. power outlet and set the controls per the "Operating Humidifier Controls" section of this manual.

Bi-Weekly Maintenance

Removing Scale

1. Fill the humidifier base with one 8 oz. cup of undiluted white vinegar. Let solution stay 20 minutes.
2. Clean all interior surfaces with a soft brush. Dampen a soft cloth with undiluted white vinegar and wipe out the base to remove scale.
3. Rinse thoroughly with clean warm water to remove scale and cleaning solution before disinfecting cabinet.
4. Dust the fan assembly and outside surfaces with a soft cloth only.

Disinfecting Humidifier Cabinet and Water Bottles

1. Fill humidifier cabinet with 1 teaspoon chlorine bleach in 1 gallon of water. Let solution stay for 20 minutes, carefully swishing every few minutes. Wet all surfaces normally exposed to water.
2. Empty humidifier cabinet after 20 minutes. Rinse with water until bleach smell is gone. Allow unit to dry out completely.
3. Water bottles should be cleaned in the same manner.

End of Season Maintenance

1. Follow "Bi-Weekly Maintenance" instructions at end of humidification season.
2. Remove and throw away filters.
3. Let humidifier dry completely before storing. Do not store with water inside cabinet or water bottles.
4. Store in cool, dry location.
5. Install a new filters in clean humidifier before next season begins.
6. "Bi-Weekly Maintenance" procedure is also recommended if you do not plan to run the humidifier for one week or more.

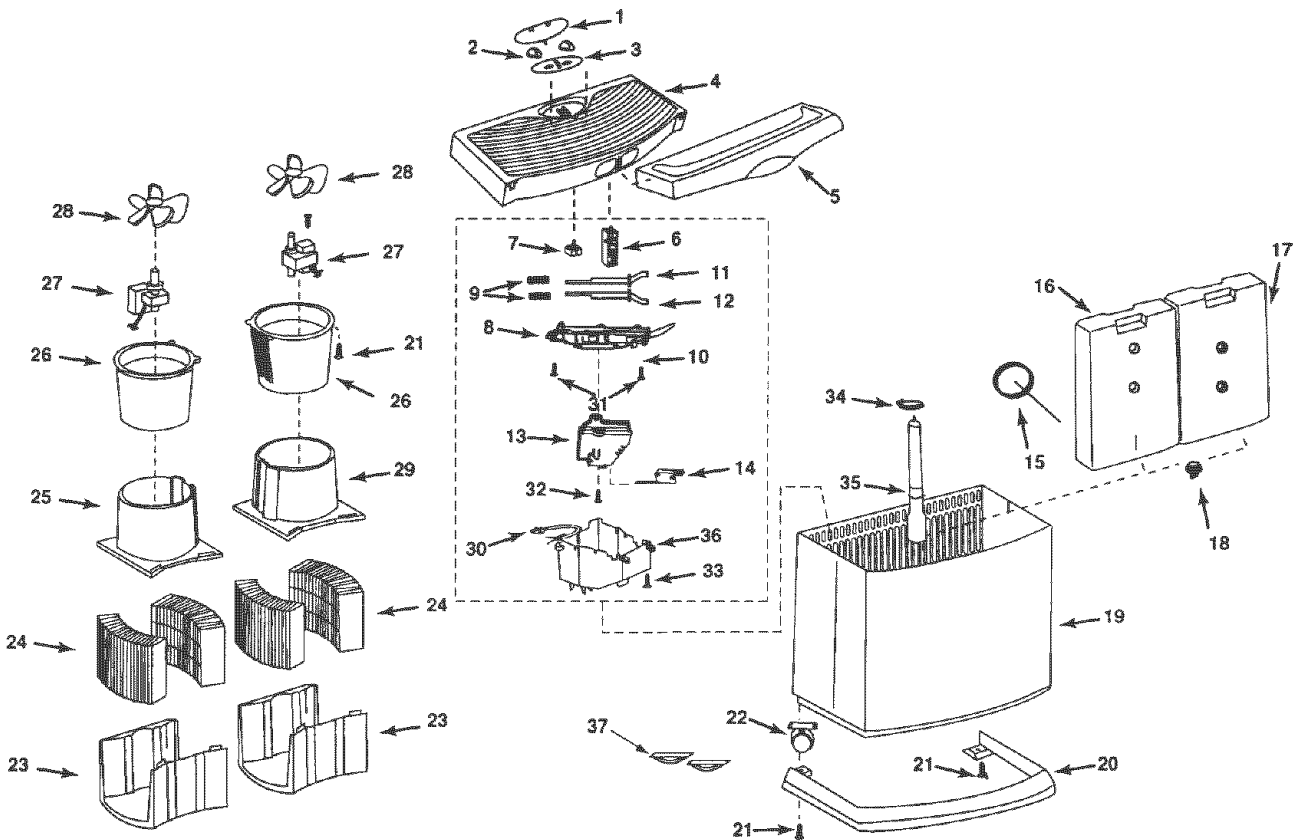
Troubleshooting

Trouble	Probable Cause	Remedy
Unit will not run and no control panel lights are illuminated.	<ul style="list-style-type: none"> No Power. 	<ul style="list-style-type: none"> Check 120 volt power source.
Unit will not shut off.	<ul style="list-style-type: none"> Float retainer is positioned in "Manual Dryout" position. Float is not free. 	<ul style="list-style-type: none"> Slide float retainer down to normal operation mode. Refer to "manual Dryout" section on page 8. Free float from obstruction.
Unit will not dry out completely.	<ul style="list-style-type: none"> Float is positioned in normal operation mode. 	<ul style="list-style-type: none"> This is normal. A small amount of water remains in the cabinet after Fill lights come on. Position float retainer in Manual Dryout position to completely dry out. See page 7.
Bottles continue to empty.	<ul style="list-style-type: none"> Air is entering water bottles. 	<ul style="list-style-type: none"> Check "E-Z-Fill Side-Caps" and valve assembly caps to ensure tightness. Check for leak in water bottles. Ensure gaskets for "E-Z-Fill Side Caps" are in place.
Neither bottle emptying.	<ul style="list-style-type: none"> Bottle cap plunger missing post in bottom of cabinet. Dirty filters. 	<ul style="list-style-type: none"> Check orientation of bottles. Reposition so that bottle cap plunger (stem) is depressed by post in bottom of cabinet.. Change to fresh new filters. (32-14911).
Left bottle not emptying.	<ul style="list-style-type: none"> Right bottle contains water. 	<ul style="list-style-type: none"> The humidifier is designed so the right bottle empties first. Continue to run until both fill lights come on.
Fill indicators turn on before bottles are empty. NOTE: There may be a little water still in bottle when Fill indicator is illuminated. This is normal.	<ul style="list-style-type: none"> Unit is not set up on a level surface. (Float will not sense water at the rear of the cabinet). 	<ul style="list-style-type: none"> Position unit level. (Some carpet padding may allow unit to sit lower in front than rear with the additional weight of water bottles in the front of the cabinet. Install caster pads under front casters. (See page 4).

CAUTION: Use only 32-14900 EPA Registered Bacteriostat available from Sears Retail store. Use of other water treatment products may damage the filter elements. Under no circumstances should you use water treatment products designed for Roto belt or Ultrasonic humidifiers.

Repair Parts

Parts List for Kenmore Humidifier Model No. 758.154140



Repair Parts

Parts List for Kenmore Humidifier Model No. 758.154140

Always order by part number - Not by key number

Key No	Part No.	Description
20	823726	Rail, Kick
21	STD601107	* Screw, Pan Hd. Ty "AB" #10 x 3/4
22	828515	Caster, Twin Wheel
23	830560-1	Support, Filter Lower
24	32-14911	† Filter, Evaporative
25	828197	Support, Upper Filter
26	828534	Support, Motor
27	828115-1	Motor (Includes mounting hardware)
28	822406-1	Fan
29	828197	Support, Upper Filter
30	828858	Cord w/Plug
31	816069-5	* Screw, Pan Hd. Ty "AB" #6 x 1/2
32	816069-6	* Screw, Pan Hd. Ty "AB" #6 x 3/4
33	STD600805	* Screw, Pan Hd. Ty "AB" #8 x 1/2
34	824101-1	Retainer, Float
35	828200	Float, Water Level
36	828745	Enclosure, Electronics
37	828920	Pad, Caster (Two)
—	SP6593	Operator's Manual (not illustrated)

* Standard Hardware Item - May be purchased locally

† Stock item - May be secured through the Hardware Department of most Sears retail stores.

Key No	Part No.	Description
1	828743	Cover, Dust
2	828756	Knob
3	830891	Label, Control
4	828741-1	Lid, Stationary
5	828855-1	Lid, Pivoting
6	822409	Humidistat
7	823912	Switch, Rotary
8	828753	Cover, Actuator Arm
9	828755	Spring, Compression
10	828750	Light, Pilot
11	828751	Arm, LH Actuator
12	828752	Arm, RH Actuator
13	828749	Retainer, Micro Switch
14	828854	Switch, Micro
15	824690	"E-Z-Fill Side-Cap"
16	828192	Bottle, Left (Includes Key Nos. 15 & 18)
17	828726	Bottle, Right (Includes Key Nos. 15 & 18)
18	509229-1	Cap, Valve Assembly
19	828998	Cabinet

NOTE: Any attempt to repair the control assembly or motor may create a hazard unless repair is done by a qualified service technician. Repair service is available at your nearest Sears store.

Get it fixed, at your home or ours!

Your Home

For repair — **in your home** — of all major brand appliances, lawn and garden equipment, or heating and cooling systems, **no matter who made it, no matter who sold it!**

For the replacement parts, accessories and owner's manuals that you need to do-it-yourself.

For Sears professional installation of home appliances and items like garage door openers and water heaters.

1-800-4-MY-HOME[®]
(1-800-469-4663)
www.sears.com

Anytime, day or night
(U.S.A. and Canada)
www.sears.ca

Our Home

For repair of carry-in products like vacuums, lawn equipment, and electronics, call or go on-line for the nearest **Sears Parts and Repair Center.**

1-800-488-1222 Anytime, day or night (U.S.A. only)
www.sears.com

To purchase a protection agreement (U.S.A.) or maintenance agreement (Canada) on a product serviced by Sears:

1-800-827-6655 (U.S.A.)

1-800-361-6665 (Canada)

Para pedir servicio de reparación a domicilio, y para ordenar piezas:

1-888-SU-HOGARSM
(1-888-784-6427)

Au Canada pour service en français:

1-800-LE-FOYER^{MC}
(1-800-533-6937)
www.sears.ca



© Sears, Roebuck and Co.

® Registered Trademark / ™ Trademark / ℠ Service Mark of Sears, Roebuck and Co.

© Marca Registrada / ™ Marca de Fábrica / ℠ Marca de Servicio de Sears, Roebuck and Co.

^{MC} Marque de commerce / ^{MD} Marque déposée de Sears, Roebuck and Co.