

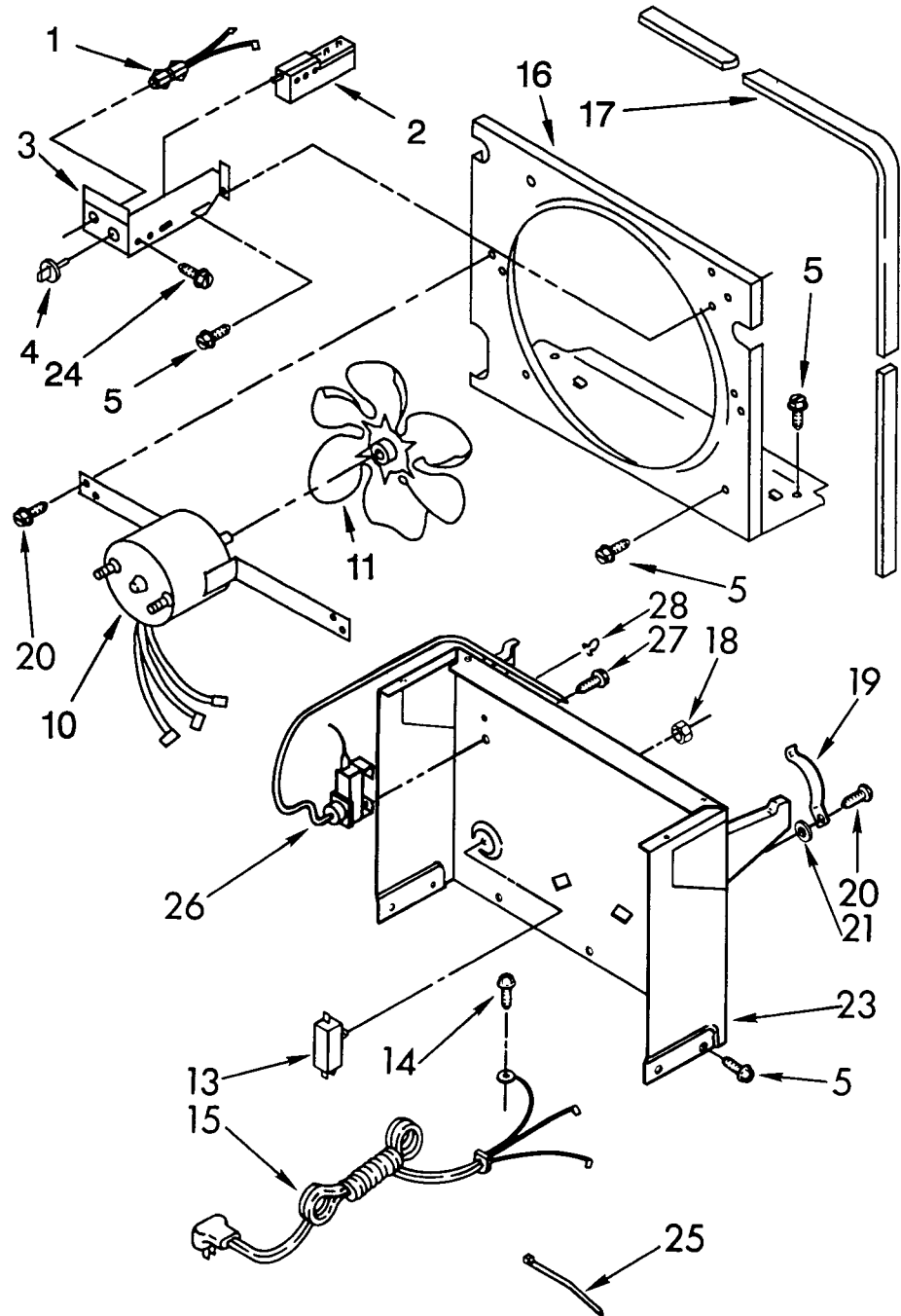
**PARTS  
LIST  
FOR**



**MODEL  
AD0302XZ0**

**DEHUMIDIFIER**

**AIR FLOW AND CONTROL PARTS**



8-92 Litho in U.S.A.

**Whirlpool CORPORATION**  
Benton Harbor, Michigan.  
© 1992 Whirlpool Corporation



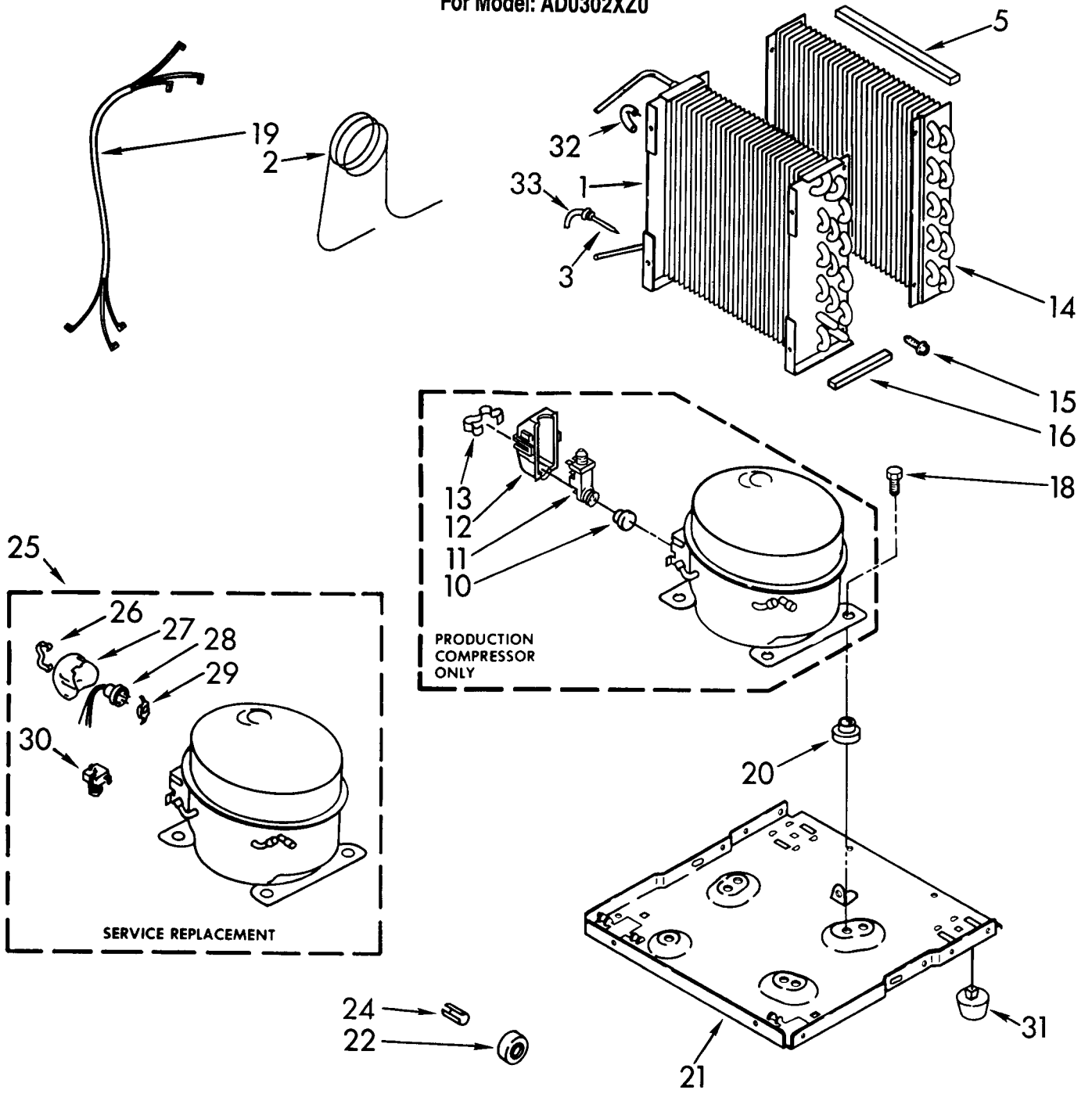
Part No. 4316359

8-92

1	1158419	Indicator, Light
2	1162578	Humidistat, Control
3	951284	Bracket, Humidistat
4	1162670	Knob, Humidistat Control
5	488624	Screw, Sm #8 x 3/8
10	1162030	Motor, Fan
11	949645	Blade, Fan
13	999747	Switch, Water Level Control
14	487871	Screw, 8-32 x 3/8
15	1155670	Cord, Appliance
16	998779	Plate, Orifice
17	1162704	Seal
18	489001	Palnut, 3/8-32
19	1161718	Spring, Water Level
20	488248	Screw, S.M.#8 x 3/4
21		Washer, Repair
	489083	.045 Thickness
	489029	.062 Thickness
23	998744	Support
24	1162513	Screw, 8 1 18 x 1/4 (2)
25	602851	Tie, Cable
26	1155109	Thermostat, De-icer
27	488234	Screw, 8-32 x 1/4 (2)
28	471363	Clamp, Tube (2)

# UNIT PARTS

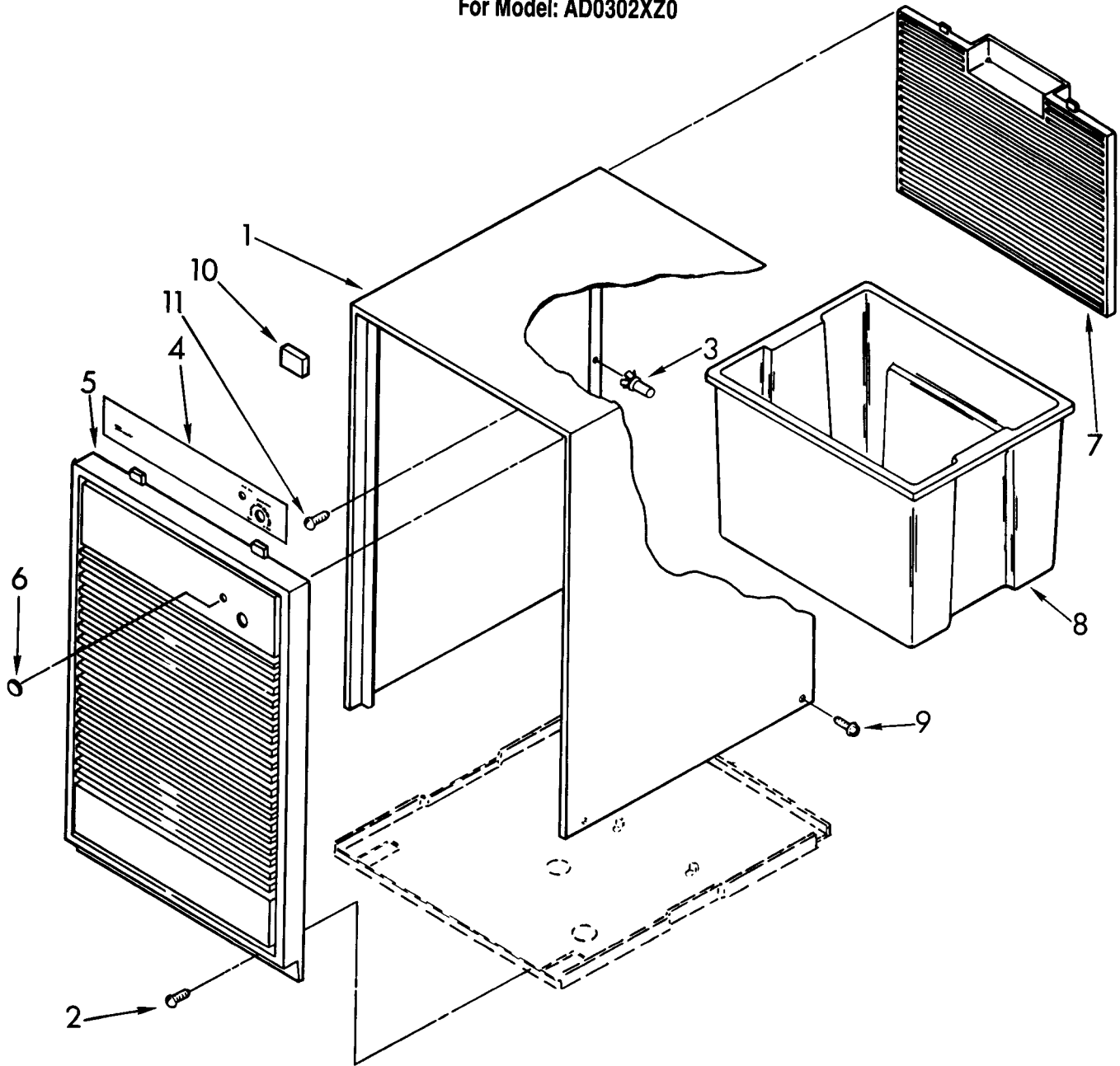
For Model: AD0302XZ0



1	1162152	Condenser
2	1162185	Tube, Restrictor (Length 24.00")
3	1162037	Strainer
5	1162348	Seal, Evaporator Top
10	1158823	Overload, Protector
11	1156815	Relay, Start
12	1157582	Cover, Terminal
13	938384	Retainer, Cover
14	1162153	Evaporator
15	488480	Screw, 8 x 1/2 (4)
16	1162372	Seal
18	488400	Screw, 1/4-28 x 1" (4)
19	484136	Harness, Wire
20	1156748	Grommet (4)
21	1157584	Base
22	998726	Roller (2)
24	489015	Pin, Roller (2)
25	876684	Compressor, Service (Complete Assembly)
26	831282	Retainer, Cover
27	865068	Cover, Terminal
28	876686	Overload
29	549086	Spring, Overload
30	1156815	Relay
31	951886	Glide (2)
32	855199	Bend, Return (17)
33	854624	Bend, Return

# CABINET PARTS

For Model: AD0302XZ0



1	998821	Cabinet
2	489120	Screw, #8 x 1/2 (2)
3	998813	Retainer Pin (Rear Grille)
4	1162674	Escutcheon
5	1162673	Grille, Front (Includes, Illus. No. 4 )
6	998846	Lens, Light
7	998832	Grille, Rear
8	951901	Pan, Condensate
9	1158781	Screw
10	948584	Spacer, Grille
11	489073	Screw, 8 x 3/8 (2)

Following Parts Not Illustrated and Optional Parts Not Included

646753	Cap, Condensate Pan
647338	Washer, Cap (Condensate Pan)
485426	Lacquer, Starlight Gray (1/2 Pt. Uncut)
484310	Epoxy, Tube (Aluminum Repair)
505168	Tape, No Drip Valve, Access
978025	1/4" Tube O.D.
978026	5/16" Tube O.D.
978027	3/8" Tube O.D.
978028	1/2" Tube O.D.
978029	5/8" Tube O.D.
978030	3/4" Tube O.D.
978865	Seal, Ring Access Valve (20 Pack)
LIT1162707	Tech Sheet And Wiring Diagram
LIT1162830	Guide, Use And Care
LIT4316359	List Repair Parts