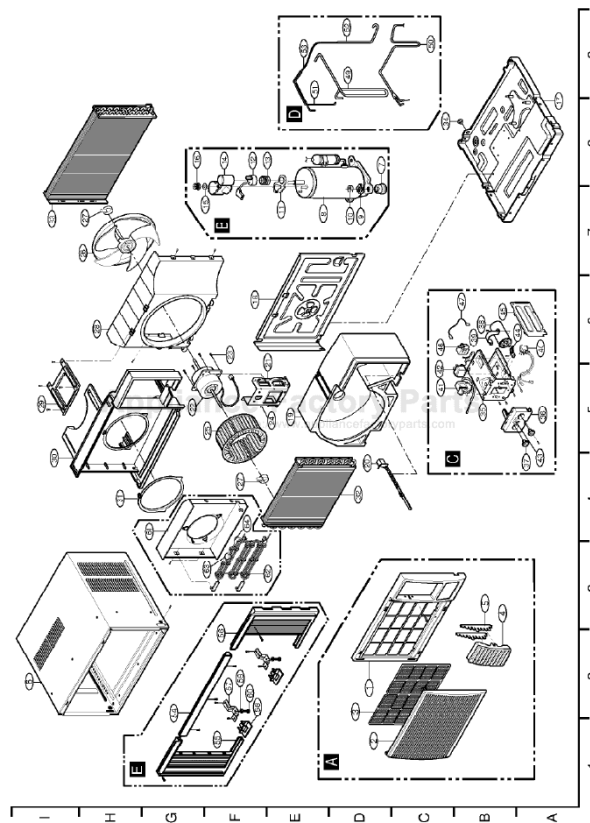


This Owner's Manual is provided and hosted by Appliance Factory Parts.



GOLDSTAR R-1000 Owner's Manual

[Shop genuine replacement parts for GOLDSTAR R-1000](#)



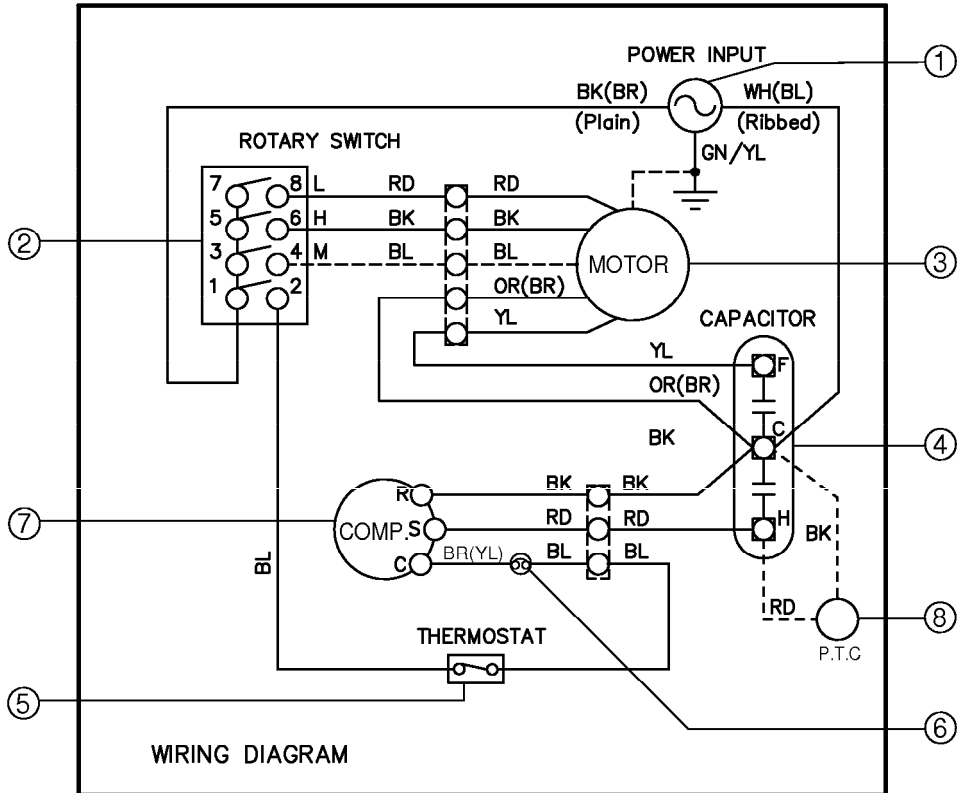
[Find Your GOLDSTAR Air Conditioner Parts - Select From 241 Models](#)

----- Manual continues below -----

5. SCHEMATIC DIAGRAM

5.1 CIRCUIT DIAGRAM

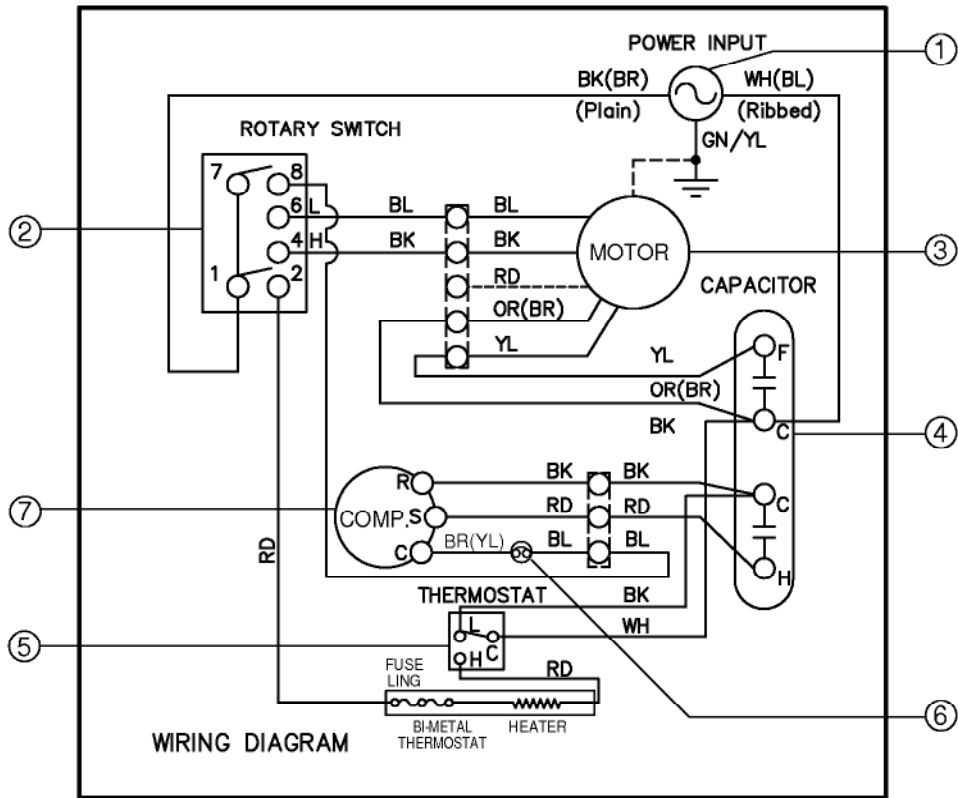
- MODEL : HBLG100(LWC1011ACG)/HBLG120(LWC1211ACG)



S: Service Parts
N: Non Service Parts

LOCATION NO.	DESCRIPTION	PART NO.		QTY PER SET	RE-MARKS
		HBLG100(LWC1011ACG)	HBLG120(LWC1211ACG)		
1	POWER CORD	2H00677R	2H00677S	1	S
2	ROTARY SWITCH	2H00598E		1	S
3	FAN MOTOR	4681A20009L	4681A20009K	1	S
4	CAPACITOR	6120AR2194K		1	S
5	THERMOSTAT	2H01109L		1	S
6	OVERLOAD PROTECTOR	6750U-L049A	6750U-L029A	1	S
7	COMPRESSOR	5416A20012B	5416A20012C	1	S
8	PTC	6748U-L001B		1	S

• MODEL : HBLG12H(LWC1230AXG)



S: Service Parts
N: Non Service Parts

LOCATION NO.	DESCRIPTION	PART NO.	Q'TY PER SET	RE-MARKS
		HBLG12H(LWC1230AXG)		
1	POWER CORD	2H00677U	1	S
2	ROTARY SWITCH	2H00598F	1	S
3	FAN MOTOR	4681A20009J	1	S
4	CAPACITOR	6120AR2359D	1	S
5	THERMOSTAT	2H01127B	1	S
6	OVERLOAD PROTECTOR	6750U-L005A	1	S
7	COMPRESSOR	5416AR2300R	1	S
8	ELECTRIC HEATER	5300AR1571A	1	S