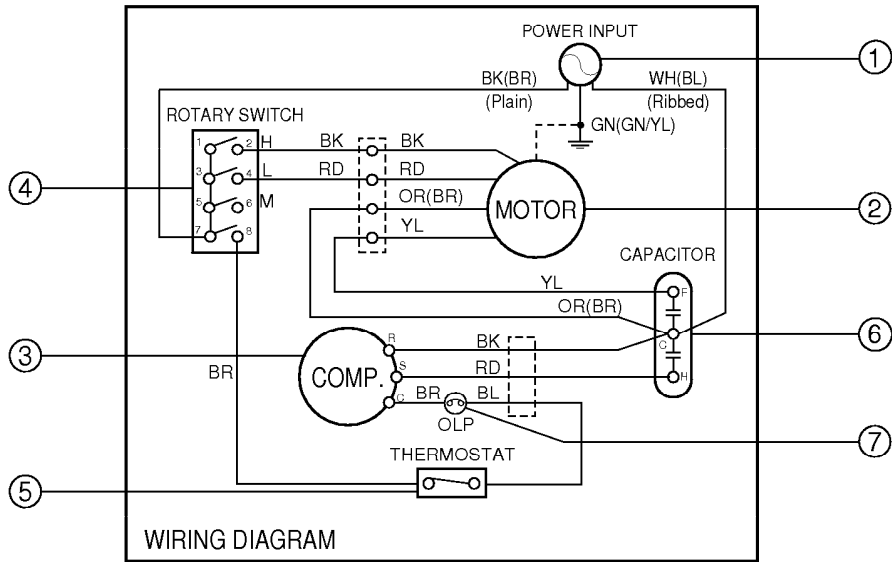


5. CIRCUIT DIAGRAM



REF. NO	DESCRIPTION & NAME	QTY	R5003	R5204, R5205, WR-5210	R6003, WR-6010	R7003
1	POWER CORD ASSY	1	2H00677P			
2	FAN MOTOR	1	4681A10002A		4681A10002C	4681A10002K
3	COMPRESSOR	1	5416A20013M	2520UABC2EA	2520UAZMC2AA	2520U AFC2BA
4	ROTARY SWITCH	1	2H00154H			
5	THERMOSTAT	1	2H01109H			
6	CAPACITOR	1	6120AR2359V			0CZZA20001W
7	OVERLOAD PROTECTOR	1	6750A30001F	4750U-L050A	4750U-L004A	4750U-L005A