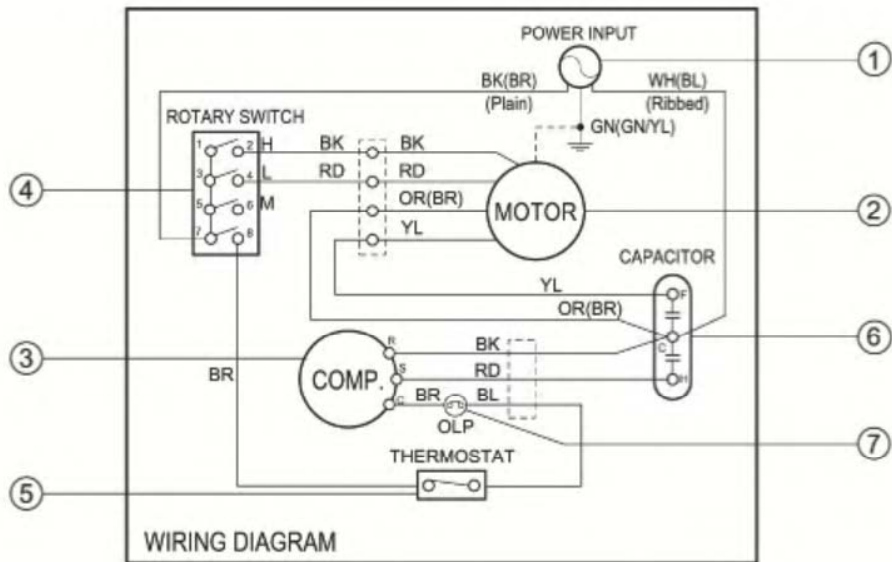


5. CIRCUIT DIAGRAM



REF. NO	DESCRIPTION & NAME	Q'TY	R5206
1	POWER CORD ASSY	1	2H00677P
2	FAN MOTOR	1	4681A20001R
3	COMPRESSOR	1	2520UAB4DA
4	ROTARY SWITCH	1	2H00154H
5	THERMOSTAT	1	2H01109H
6	CAPACITOR	1	0CZZA20005B
7	OVERLOAD PROTECTOR	1	6750U-L050A