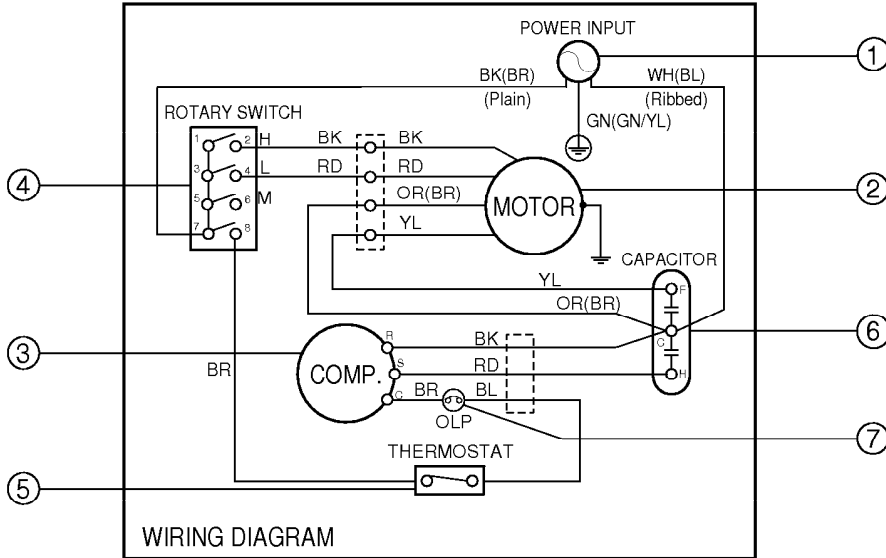


5. SCHEMATIC DIAGRAM

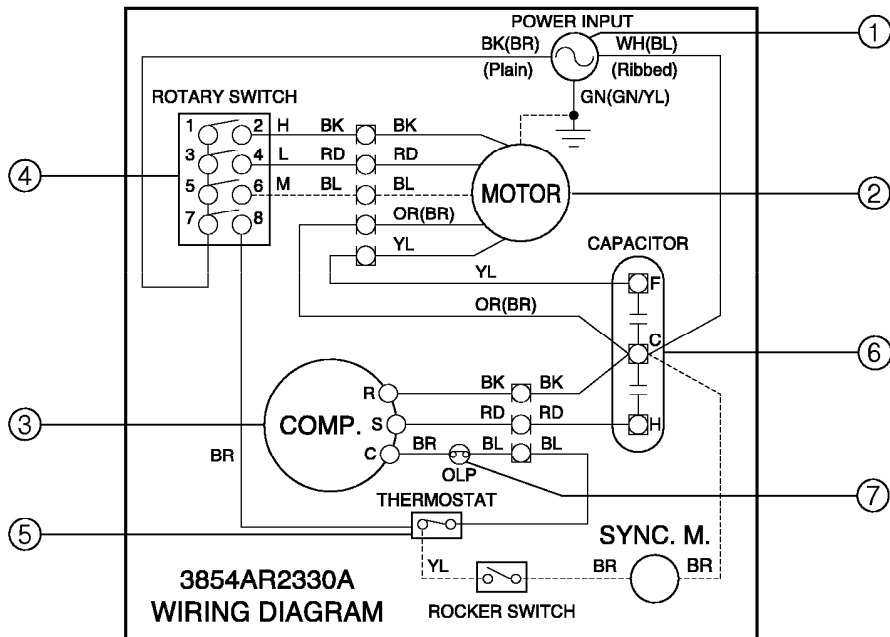
5.1 CIRCUIT DIAGRAM

- MODEL: WG5000, R5207, R5208, R6004, WG6000, R7003
LWJ0514ACG, WR-5220, WR-6020, ACD052PK, R-5000A



REF. NO	DESCRIPTION & NAME	QTY
1	POWER CORD ASSY	1
2	FAN MOTOR	1
3	COMPRESSOR	1
4	ROTARY SWITCH	1
5	THERMOSTAT	1
6	CAPACITOR	1
7	OVERLOAD PROTECTOR	1

• MODEL: LWJ0515AAG, LWJ0515ACP, LWJ0515ACW



REF. NO	DESCRIPTION & NAME	QTY
1	POWER CORD ASSY	1
2	FAN MOTOR	1
3	COMPRESSOR	1
4	ROTARY SWITCH	1
5	THERMOSTAT	1
6	CAPACITOR	1
7	OVERLOAD PROTECTOR	1