



website <http://www.lgservice.com>

LG

LG Room Air Conditioner

SERVICE MANUAL

MODEL: LW1200PR
LW1200ER
LW1000PR
LW1000ER
LW1004ER
LWL1210WAL
LWL1230WAL
WM-1231
LW1000ERY3
LB1000ER
LB1200ER
LW100CS
LW120CS
LW1000PRY3
LW1200PRY3
LW1200ERY3

CAUTION

- BEFORE SERVICING THE UNIT, READ THE SAFETY PRECAUTIONS IN THIS MANUAL.
- ONLY FOR AUTHORIZED SERVICE PERSONNEL.

TABLE OF CONTENTS

- Safety Precautions**3
- Dimensions**5
 - Outside Dimensions5
- Product Specifications**6
- Installation**7
 - Select the Best Location7
 - Installation Check7
 - How to Secure the Drain Pipe7
 - How to Install8
 - Suggested Tool Requirements9
- Operation**12
 - Function of Controls12
- Disassembly**15
 - Mechanical Parts15
 - Air handling Parts16
 - Electrical Parts17
 - Refrigerating Cycle19
- Schematic Diagram**22
 - Electronic Control Device22
 - Wiring Diagram24
 - Components Location25
- Troubleshooting Guide**27
 - Pipeing System27
 - Troubleshooting Guide28
 - Electrical Parts Troubleshooting Guide30
 - Electrical Parts34
- Exploded View**40
- Replacement Parts List**41

Safety Precautions



To prevent injury to the user or other people and property damage, the following instructions must be followed.

- Incorrect operation due to ignoring instruction will cause harm or damage. The seriousness is classified by the following indications.

⚠ WARNING This symbol indicates the possibility of death or serious injury.

⚠ CAUTION This symbol indicates the possibility of injury or damage to property only.

- Meanings of symbols used in this manual are as shown below.

	Be sure not to do.
	Be sure to follow the instruction.

⚠ WARNING

■ Installation

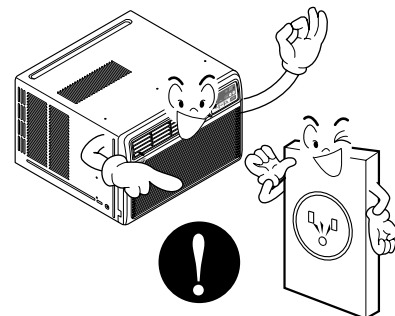
Do not use damaged power cord plugs, or a loose socket.

- There is risk of fire or electric shock.



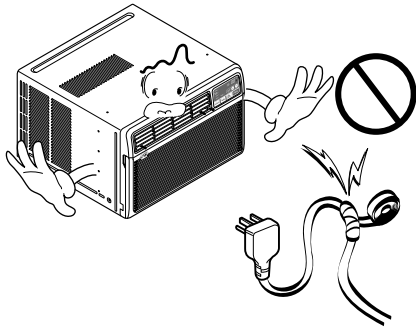
Always use the power plug and socket with the ground terminal.

- There is risk of electric shock.



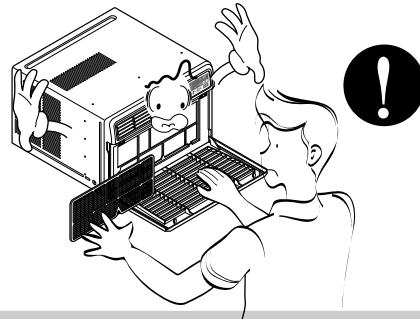
Do not modify or extend the power cord.

- There is risk of fire or electric shock.



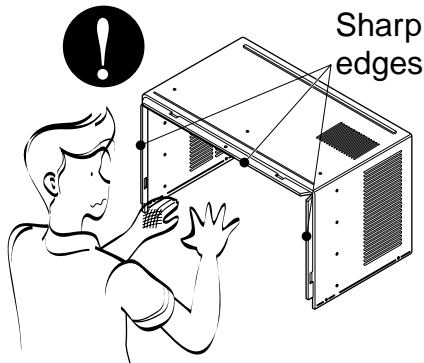
Do not install, remove, or re-install the unit by yourself(customer).

- There is risk of fire, electric shock, explosion, or injury.



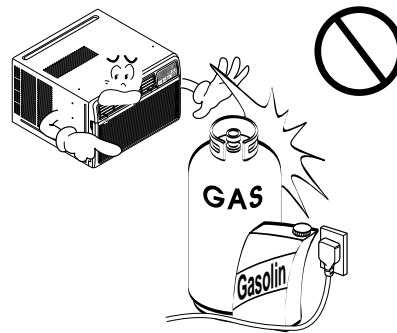
Be cautious when unpacking and installing the product.

- Sharp edges could cause injury. Be especially careful of the case edges and the fins on the condenser and evaporator.



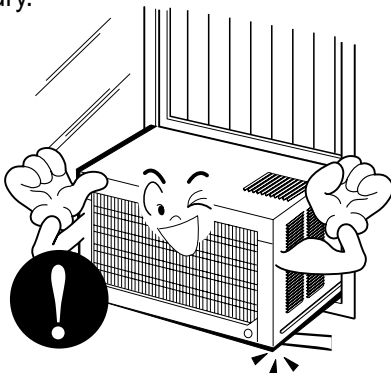
Do not store or use flammable gas or combustibles near the air conditioner.

- There is risk of fire or failure of product.



Be sure the installation area does not deteriorate with age.

- If the base collapses, the air conditioner could fall with it, causing property damage, product failure, and personal injury.



Dimensions

Symbols Used in this Manual



This symbol alerts you to the risk of electric shock.

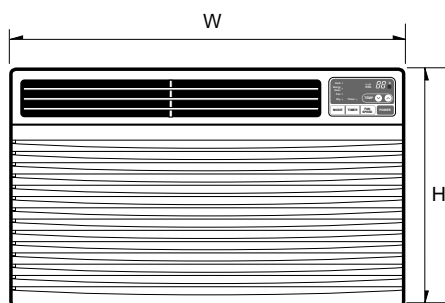
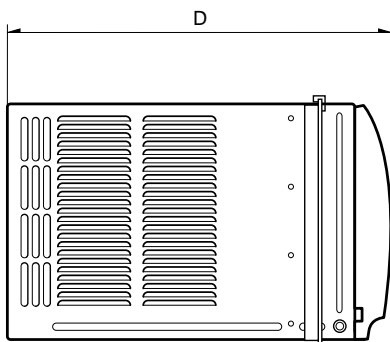


This symbol alerts you to hazards that could cause harm to the air conditioner.

NOTICE

This symbol indicates special notes.

Outside Dimensions



Model		All Models
Dimension		
W	mm(inch)	600(23 ⁵ / ₈)
H	mm(inch)	380(14 ³¹ / ₃₂)
D	mm(inch)	567(22 ⁵ / ₁₆)

Product Specifications

ITEMS		MODELS		LW1200PR LW1200ER LWL1210WAL LW1200ERY3 LW120CS LB1200ER LW1200PRY3	LWL1230WAL	LB1000ER LW1004ER LW1000PR LW1000ER LW1000ERY3 LW100CS LW1000PRY3	WM-1231	
POWER SUPPLY				1ø, 115, 60Hz	1ø, 208/230, 60Hz	1ø, 115, 60Hz		
COOLING CAPACITY (Btu/h)				12,300	12,000	10,000	12,000	
INPUT (W)				1,140	1,110	910	1,220	
RUNNING CURRENT (A)				10.2	5.2	8.2	11.0	
E.E.R (BTU/W·h)				10.8	10.8	11.0	9.8	
OPERATING CONDITION	INDOOR (°C)				26.7(DB)*	19.4(WB)**		
	OUTDOOR (°C)				35(DB)*	23.9(WB)**		
REFRIGERANT (R-22) CHARGE				540g (19.0 oz)	550g (19.4 oz)	480(17.0 oz)	470(16.6 oz)	
EVAPORATOR				3 ROW 12 STACKS, SLIT-FIN TYPE		2 ROW 10 STACKS, LG-LOUVER TYPE	2 ROW 12 STACKS	
CONDENSER				2 ROW 17 STACKS, L-BENDED TYPE		2 ROW 17 STACKS, LG-LOUVER TYPE	2 ROW 17 STACKS	
FAN, INDOOR				TURBO FAN				
FAN, OUTDOOR				PROPELLER TYPE FAN WITH SLINGER RING				
FAN SPEEDS, FAN/COOLING				3/3				
FAN MOTOR				6 POLES				
OPERATION CONTROL				REMOTE CONTROLLER				
ROOM TEMP. CONTROL				THERMISTOR				
AIR DIRECTION CONTROL				VERTICAL LOUVER (RIGHT & LEFT)				
				HORIZONTAL LOUVER (UP & DOWN)				
CONSTRUCTION				SLIDE IN-OUT CHASSIS				
PROTECTOR	COMPRESSOR				OVERLOAD PROTECTOR			
	FAN MOTOR				INTERNAL THERMAL PROTECTOR			
POWER CORD				(3 WIRE WITH GROUDING)				
				ATTACHMENT PLUG (CORD-CONNECTED TYPE)				
DRAIN SYSTEM				DRAIN PIPE OR SPLASHED BY FAN SLINGER				
NET WEIGHT (lbs/kg)				79/36				
OUTSIDE DIMENSION (W x H x D)		(inch)		23 ^{5/8} x 14 ^{31/32} x 22 ^{5/16}				
		(mm)		600 x 380 x 560				

* DB : Dry Bulb

**WB : Wet Bulb

NOTE: Please refer to Label Quality on the product since this specification may be changed for improving performance.

Installation

Select the Best Location

1. To prevent vibration and noise, make sure the unit is installed securely and firmly.
2. Install the unit where the sunlight does not shine directly on the unit.
3. The outside of the cabinet must extend outward for at least 12" and there should be no obstacles, such as a fence or wall, within 20" from the back of the cabinet because it will prevent heat radiation of the condenser. Restriction of outside air will greatly reduce the cooling efficiency of the air conditioner.



CAUTION: All side louvers of the cabinet must remain exposed to the outside of the structure.

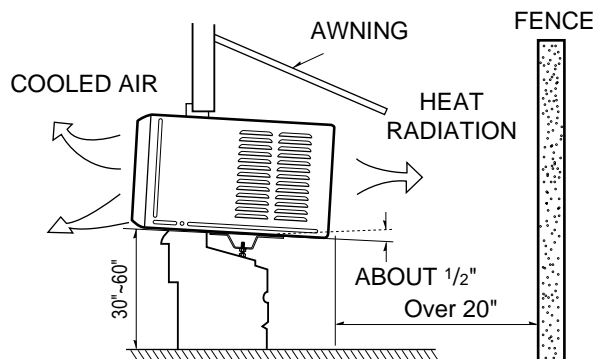


Figure 1

4. Install the unit a little slanted so the back is slightly lower than the front (about $\frac{1}{2}$ "). This will help force condensed water to the outside.
5. Install the unit from the bottom about 30"~60" above the floor level.

Installation Check

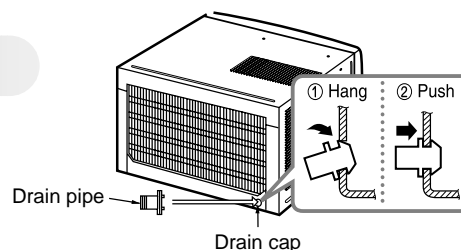
The setting conditions must be checked prior to initial starting.

The following items are especially important checking points when the installation is finished.

1. Grounding wire (Green or Green and Yellow) is provided in the power cord. The green wire must be grounded.
2. Connect to a single-outlet 15A circuit.
(or 20A circuit for Electric Heater Model)
3. To avoid vibration or noise, make sure the air conditioner is installed securely.
4. Avoid placing furniture or draperies in front of the air inlet and outlet.

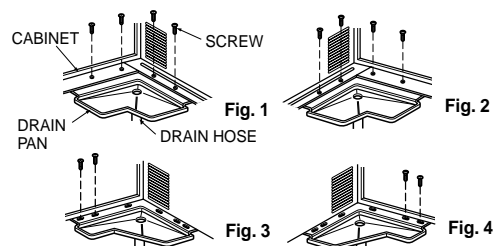
How to Secure the Drain Pipe

In humid weather, excess water may cause the BASE PAN to overflow. To drain the water, remove the DRAIN CAP and secure the DRAIN PIPE to the rear hole of the BASE PAN. Press the drain pipe into the hole by pushing down and away from the fins to avoid injury.



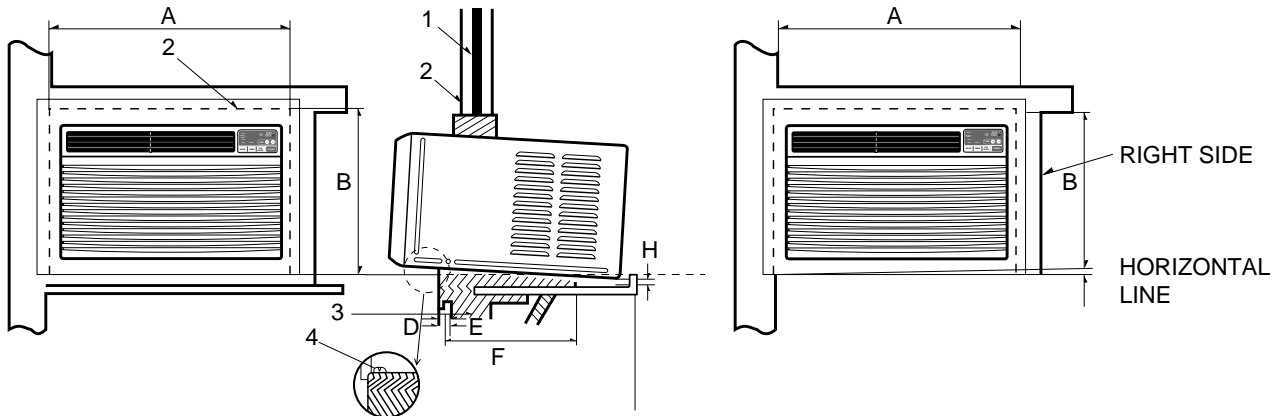
Optional

1. Install the drain pan over the corner of the cabinet where you removed the plug with 4 (or 2) screws.
2. Connect the drain hose to the outlet located at the bottom of the drain pan. You can purchase the drain hose or tubing locally to satisfy your particular needs. (Drain hose is not supplied).
3. Select the most appropriate connection from among the following figures (by considering the hole of the unit) to fit drain pan to your own unit.



How to Install

When Using Gasket



- 1. WINDOW (WIDTH-A, HEIGHT-B)
- 2. GASKET
- 3. WALL

- 4. DETAILS 5.1 x 30 ROUND HEAD WOOD SCREWS

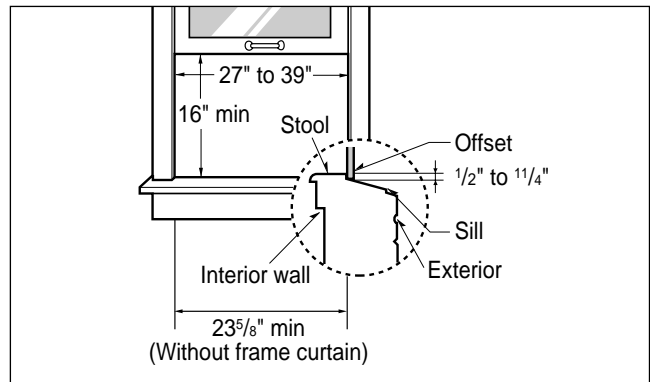
A	B	C	D	E	F	H	I
625mm (24 ⁵ / ₈ ")	392mm (15 ⁷ / ₁₆ ")	280mm (11 ¹ / ₃₂ ")	30mm (1 ¹ / ₁₆ ")	0~25mm (0~1")	OVER 420mm (OVER 16 ¹⁷ / ₃₂ ")	5~10mm (³ / ₁₆ " ~ ³ / ₈ ")	-5~5mm (- ³ / ₁₆ " ~ ³ / ₁₆ ")

When Using Installation Kits

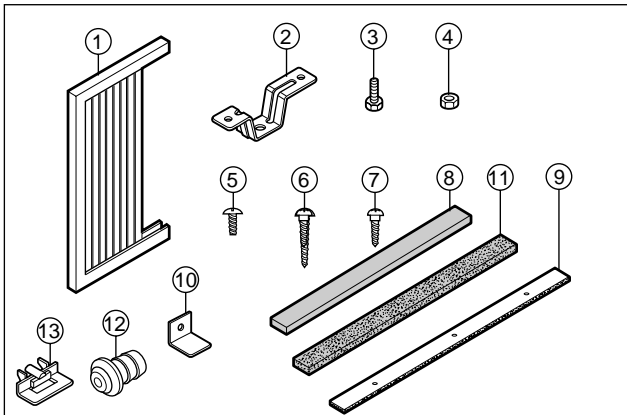
1. Window Requirements

This unit is designed for installation in standard double hung windows with actual opening widths from 27" to 39".

The top and bottom window sash must open sufficiently to allow a clear vertical opening of 16" from the bottom of the upper sash to the window stool.

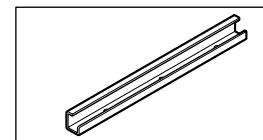


2. Installation Kits Contents



NO.	NAME OF PARTS	Q'TY
1	FRAME CURTAIN	2
2	SILL SUPPORT	2
3	BOLT	2
4	NUT	2
5	SCREW(TYPE A) (10mm(² / ₅ "))	16
6	SCREW(TYPE B) D5.1mm(0.2")/16mm(0.63")	3
7	SCREW(TYPE C) D4.1mm(0.17")/16mm(0.63")	5
8	FOAM-STRIP	1
9	FOAM-PE (600mm x 25mm x 2mm)	1
10	WINDOW LOCKING BRACKET	1
11	FOAM-PE (920mm x 30mm x 2mm)	1
12	DRAIN PIPE	1
13	FRAME GUIDE	2

■ Top retainer bar is in the product package.

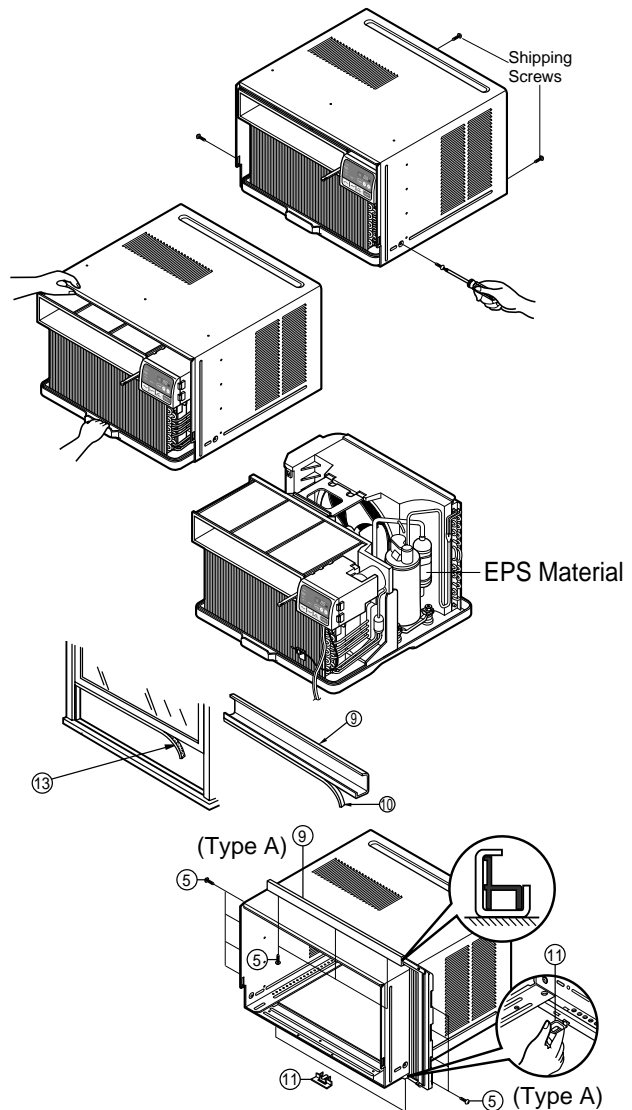


Suggested Tool Requirements

SCREWDRIVER (+, -), RULER, KNIFE, HAMMER, PENCIL, LEVEL

Preparation of Chassis

1. Remove the screws that fasten the cabinet at both sides and at the back.
2. Slide the unit out from the cabinet by gripping the base pan handle and pulling forward while bracing the cabinet.
3. Cut the window sash seal to the proper length. Peel off the backing and attach the Foam-Pe ⑨ to the underside of the window sash.
4. Remove the backing from the top upper guide Foam PE ⑪ and attach it to the bottom of the Upper Guide ⑩.
5. Attach the upper guide onto the top of the cabinet with 3 type A screws.
6. Insert the Frame Guides ⑫ into the bottom of the cabinet.
7. Insert the Frame Curtain ① into the upper guide ⑩ and Frame Guides ⑫.
8. Fasten the curtains to the unit with 4 Type A screws at the both sides.



Cabinet Installation

1. Open the window. Mark a line on center of the window stool (or desired air conditioner location). Carefully place the cabinet on the window stool and align the center mark on the front angle with the center line marked in the window stool.
2. Pull the bottom window sash down behind the upper guide until it meets.

NOTICE Do not pull the window sash down so tightly that the movement of Frame Curtain ① is restricted.

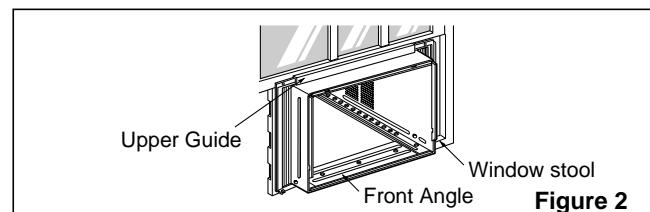


Figure 2

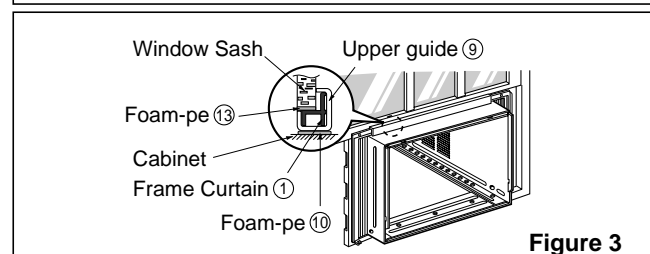
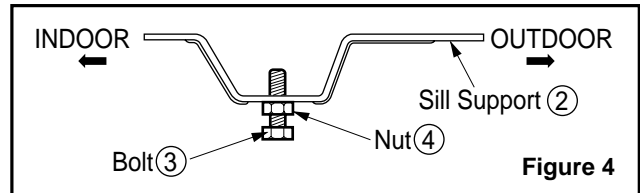


Figure 3

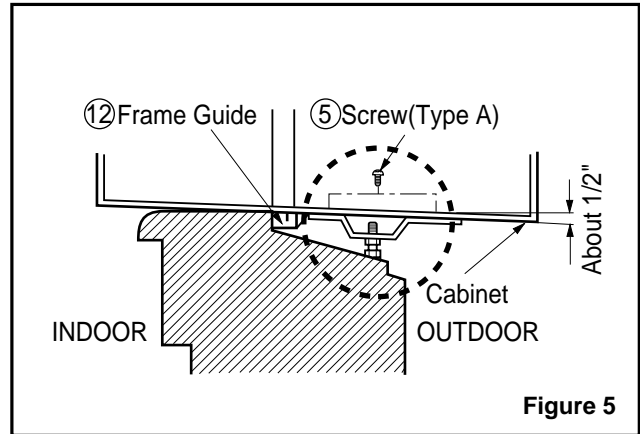
3. Loosely assemble the sill support using the parts in Figure 4.



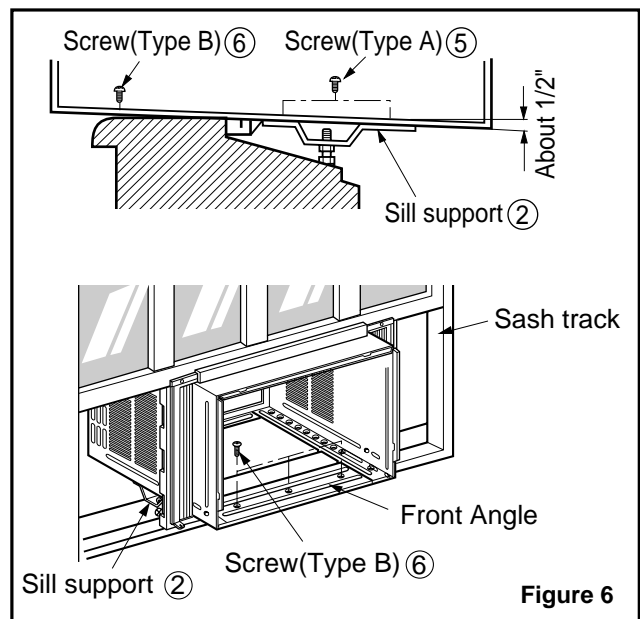
4. Select the position that will place the sill support near the outer most point on sill (See Figure 4)

NOTICE Be careful when you install the cabinet (Frame Guides ⑫ are broken easily).

5. Attach the sill support to the cabinet track hole in relation to the selected position using 2 Type A screws in each support (See Figure 5).



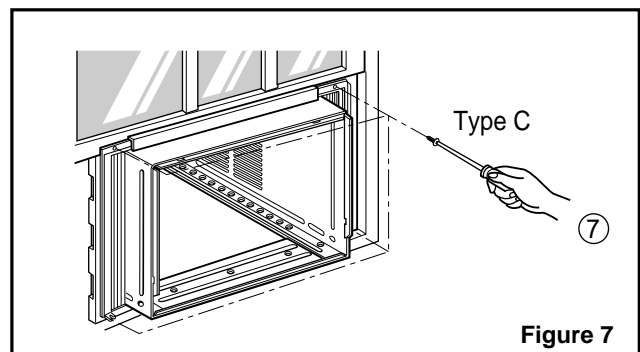
6. The cabinet should be installed with a very **slight tilt (about 1/2") downward** toward the outside (See Figure 6). Adjust the bolt and the nut of Sill Support ② for balancing the cabinet.



7. Attach the cabinet to the window stool by driving the screws ⑥ (Type B) through the front angle into window stool (5/8").

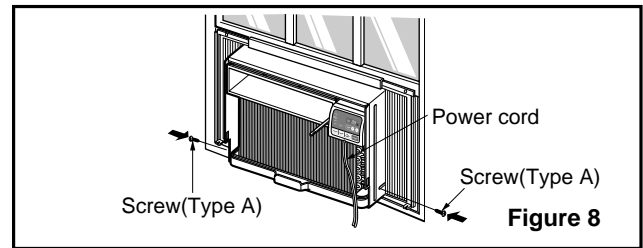
8. Pull each Frame Curtain ① properly to each window sash track, and repeat step 2.

9. Attach each Frame Curtain ① to the window sash by using screws ⑦ (Type C). (See Figure 7)

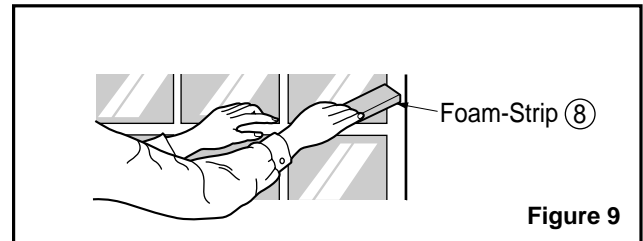


10. Slide the unit into the cabinet.(See Fig. 8)

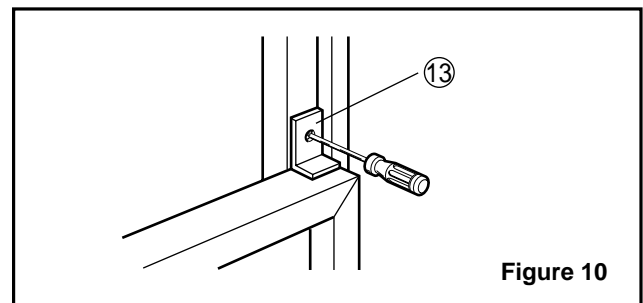
CAUTION: For security purpose, reinstall screws (Type A) at the cabinet's sides.



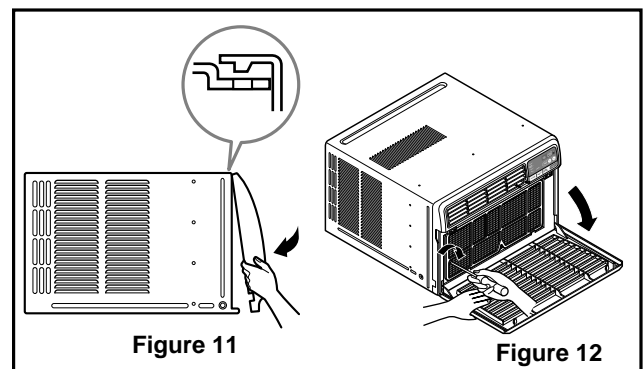
11. Cut the Foam-Strip ⑧ to the proper length and insert between the upper and lower window sash. (See Fig. 9)



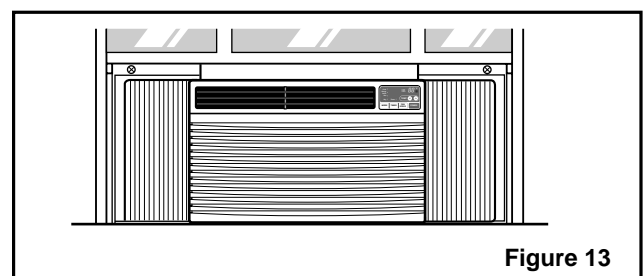
12. Attach the window Locking Bracket ⑬ with a type C screw. (See Fig. 10)



13. Attach the front grille to the cabinet by inserting the tabs on the grille into the tabs on the front of the cabinet. Push the grille in until it snaps into place.(See Fig. 11)



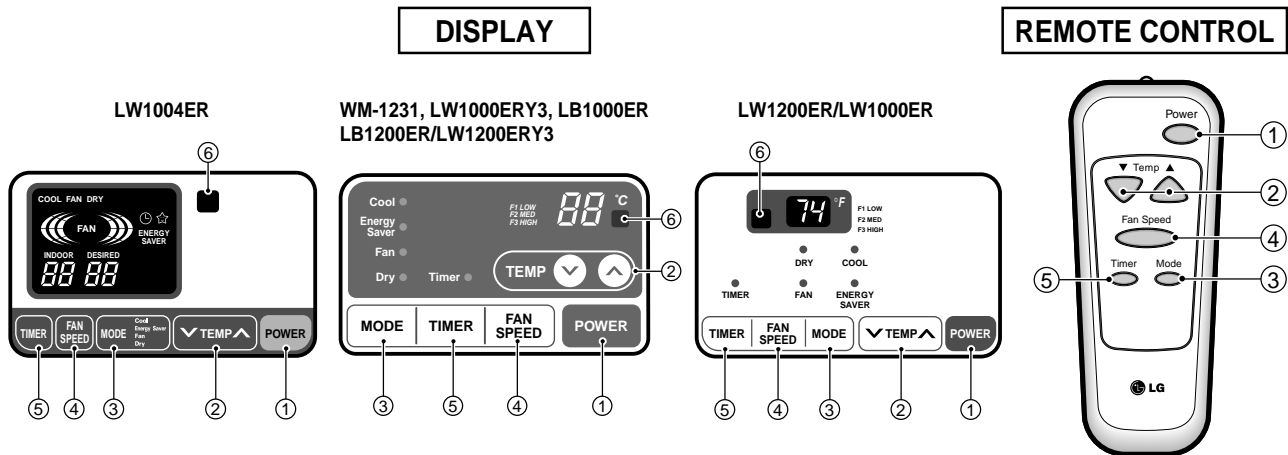
14. Lift the inlet grille and secure it with a type A screw through the front grille.(See Fig. 12)



Operation

Function of Controls

- Designed for COOLING ONLY.
- Powerful and whispering cooling.
- Slide-in and slide-out chassis for the simple installation and service.
- Low air-intake, top cooled-air discharge.
- Built-in adjustable Thermistor
- Washable one-touch filter
- Compact size
- Reliable and efficient rotary compressor



⚠ PRECAUTION: The Remote Control unit will not function properly if bright light strikes the sensor window of the air conditioner or if there are obstacles between the Remote Control unit and the air conditioner.

1 POWER BUTTON

To turn the air conditioner ON, push the button. To turn the air conditioner OFF, push the button again. This button takes priority over any other buttons.

2 ROOM TEMPERATURE SETTING BUTTON

This button can automatically control the temperature of the room. The temperature can be set within a range of 60°F to 86°F by 1°F. (16°C to 30°C by 1°C)
Select the lower number for lower temperature of the room.

3 OPERATION MODE SELECTION BUTTON

Every time you push this button, it will shift among COOL, ENERGY SAVER, FAN and DRY.

- Energy Saver: If Energy Save mode is selected, the fan stops when the compressor stops cooling. a
Approximately every 3 minutes the fan will turn on and check the room air to determine if cooling is needed.

4 FAN SPEED SELECTOR

Every time you push this button, it is set as follows.
(Hi [F3] → Low [F1] → Med [F2] → Hi [F3] → Low [F1] → ...)

5 ON/OFF TIMER BUTTON

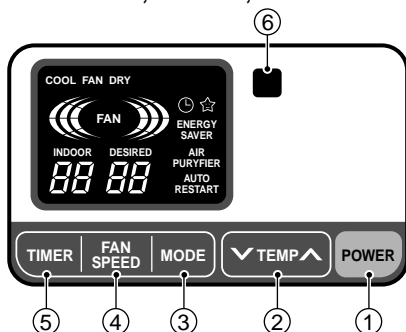
You can set the time when the unit will turn on or turn off automatically by pressing the timer button. If the unit is operating, this button controls the time it will be turned off. If the unit is off state, this button controls the time it will start. Every time you push this button, the remaining time will be set as follows.

- Stopping operation
(1Hour → 2Hours → 3Hours → 4Hours → 5Hours → 6Hours → 7Hours → 8Hours → 9Hours → 10Hours → 11Hours → 12Hours → 0Hour → 1Hour → 2Hours → ...)
- Starting operation
(1Hour → 2Hours → 3Hours → 4Hours → 5Hours → 6Hours → 7Hours → 8Hours → 9Hours → 10Hours → 11Hours → 12Hours → off → 1Hour → 2Hours → ...)

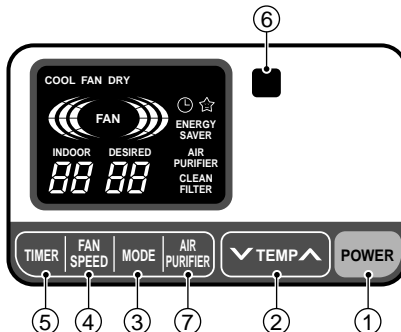
6 REMOCON SIGNAL RECEIVER

DISPLAY

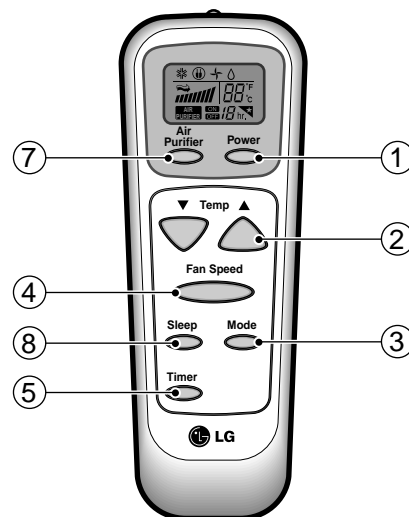
LW1200PR, LW1000PR, LWL1210WAL,
LWL1230WAL, LW100CS, LW120CS



LW1000PRY3, LW1200PRY3



REMOTE CONTROL



Precaution: The Remote Control unit will not function properly if strong light strikes the sensor window of the air conditioner or if there are obstacles between the Remote Control unit and the air conditioner.

1 POWER BUTTON

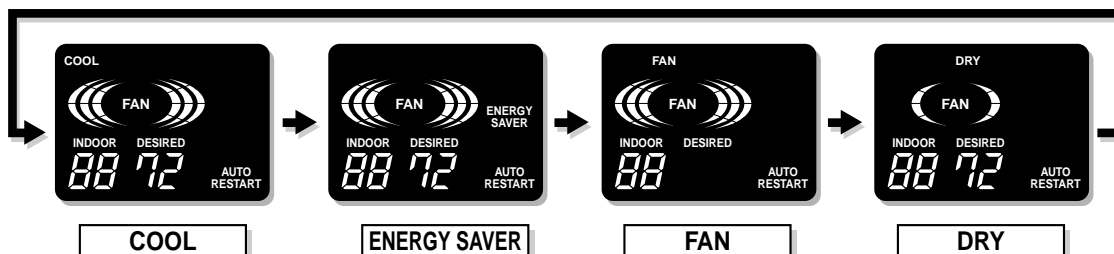
To turn the air conditioner ON, push the button. To turn the air conditioner OFF, push the button again. This button takes priority over any other buttons.

2 ROOM TEMPERATURE SETTING BUTTON

This button can automatically control the temperature of the room. The temperature can be set within a range of 60°F to 86°F by 1°F. (16°C to 30°C by 1°C)
Select the lower number for lower temperature of the room.

3 OPERATION MODE SELECTION BUTTON

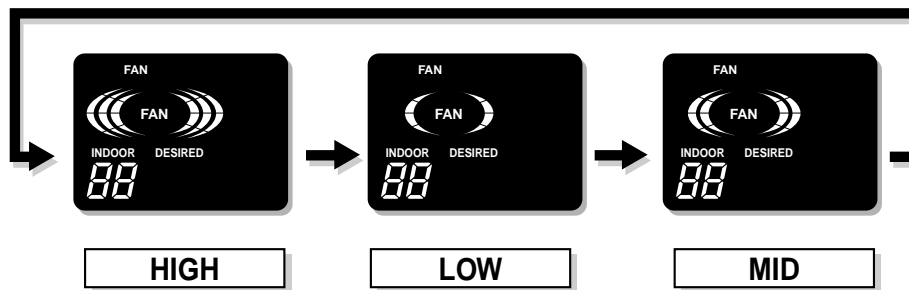
Every time you push this button, it will shift among COOL, ENERGY SAVER, FAN and DRY as follows.



- Energy Saver: If Energy Save mode is selected, the fan stops when the compressor stops cooling. Approximately every 3 minutes the fan will turn on and check the room air to determine if cooling is needed.

4 FAN SPEED SELECTOR

Every time you push this button, it is set as follows.
(Hi → Low → Med → Hi → Low →...)



5 ON/OFF TIMER BUTTON

You can set the time when the unit will turn on or turn off automatically by pressing the timer button. If the unit is operating, this button controls the time it will be turned off. If the unit is off state, this button controls the time it will start. Every time you push this button, the remaining time will be set as follows.

- Stopping operation

(1Hour → 2Hours → 3Hours → 4Hours → 5Hours → 6Hours → 7Hours → 8Hours → 9Hours → 10Hours → 11Hours → 12Hours → 0Hour → 1Hour → 2Hours →...)

- Starting operation

(1Hour → 2Hours → 3Hours → 4Hours → 5Hours → 6Hours → 7Hours → 8Hours → 9Hours → 10Hours → 11Hours → 12Hours → off → 1Hour → 2Hours → ...)

6 REMOCON SIGNAL RECEIVER

7 AIR PURIFIER

- Press the Air Purifier button.
Operation will start when the button is pressed and stop when the button is pressed again.
- Set the fan speed with the remote control. You can select the fan speed in three steps high, low or medium.
Each time the button is pressed, the fan speed mode is shifted.
- If you press the only Air Purifier button, only air purifying operates.
Then, fan speed is low. You can select the fan speed in three steps high, low or medium.
Each time the button is pressed, the fan speed mode is shifted.

8 SLEEP MODE

- Press the sleep mode button to set the time you want the unit to turn off automatically.
- Every time you push this button, the remaining time will be set as follows.
(1Hour → 2Hours → 3Hours → 4Hours → 5Hours → 6Hours → 7Hours → 0Hour → 1Hour → 2Hours → ...)
- The temperature setting will be raised by 2°F in 30 minutes and by 4°F in 1 hour to prevent overcooling during sleep.

Disassembly

— Before the following disassembly, set the **CONTROL BOX** to **OFF** and disconnect the power cord.

Mechanical Parts

1. Front Grille

1. Open the Inlet grille downward and remove the air filter.
2. Remove the screw that fastens the front grille.(See Figure 14)
3. Pull the front grille from the right side.
4. Remove the front grille.(There are 4 hooks.)
5. Re-install the components by referring to the removal procedure, above.

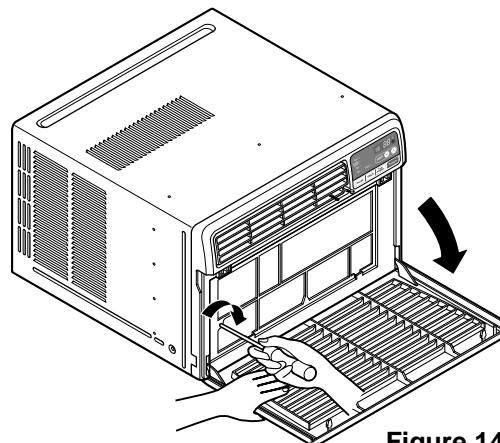


Figure 14

2. Cabinet

1. After disassembling the FRONT GRILLE, remove the 2 screws that fasten the cabinet at both sides.
2. Remove the 2 screws that fasten the cabinet at back.
3. Pull the base pan forward. (See Figure 15)
4. Remove the cabinet.
5. Re-install the components by referring to the removal procedure, above.

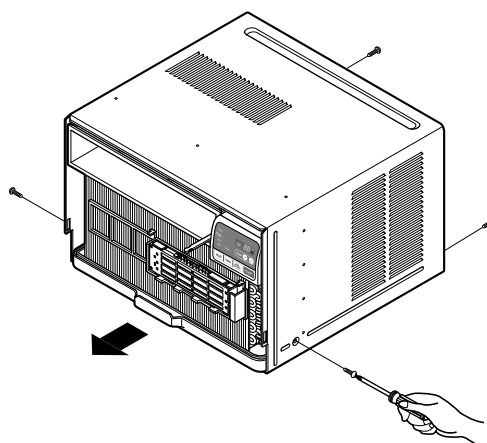


Figure 15

3. Control Box

1. Remove the front grille. (Refer to section 1)
2. Remove the cabinet. (Refer to section 2)
3. Remove the 2 screws that fasten the power cord.
4. Disconnect the grounding screw from the evaporator channel.
5. Remove the 1 screw that fasten the control box cover.
6. Remove the housing which connects PCB and motor wire in the control box.
7. Disconnect the housing that connects Plasma Air Purifier.(Optional)
8. Remove the screw at left cover of filter case and open the cover to remove inner screw. (Optional)
9. Remove the nut that fastens the terminal cover.
10. Remove the terminal cover.
11. Remove all the leads from the overload protector.
12. Discharge the capacitor by placing a 20,000 ohm-resistor across the capacitor terminals.
13. Raise the control box upward completely. (See Figure 16)
14. Re-install the components by referring to the removal procedure, above.
(Refer to the circuit diagram found on page 24 in this manual and on the control box.)

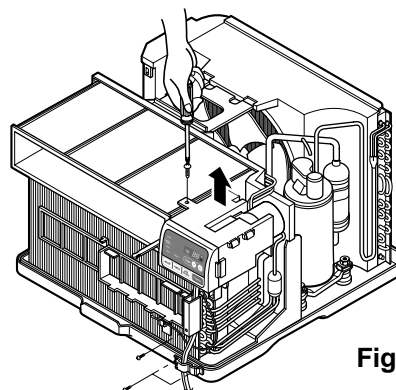


Figure 16

Air Handling Parts

4. Air Guide and Turbo Fan

1. Remove the front grille. (Refer to section 1)
2. Remove the cabinet. (Refer to section 2)
3. Remove the control box. (Refer to section 3)
4. Remove the 4 screws that fasten the brace.
5. Remove the brace.
6. Remove the 2 screws that fasten the air guide upper.
7. Remove the air guide upper. (See Figure 17)
8. Remove the 2 screws that fasten the evaporator.
9. Move the evaporator forward and pulling it upward slightly. (See Figure 18)
10. Pull out the hook of orifice by pushing the tabs and remove it. (See Figure 19)
11. Remove the clamp with hand pliers which secures the turbo fan.
12. Remove the turbo fan.
13. Remove the 2 screws that fasten the air guide from the base pan.
14. Move the air guide backward, and pull out from the base pan. (Move the air guide lower carefully.)
15. Re-install the components by referring to the removal procedure, above.

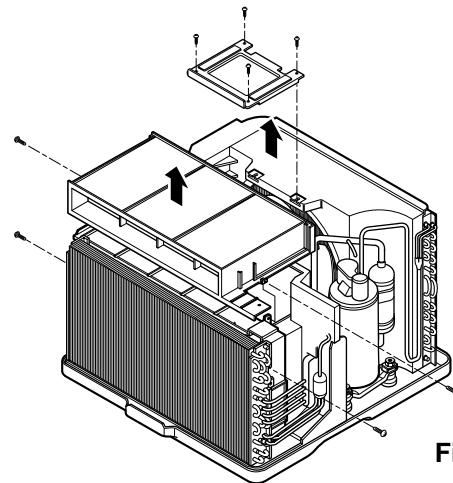


Figure 17

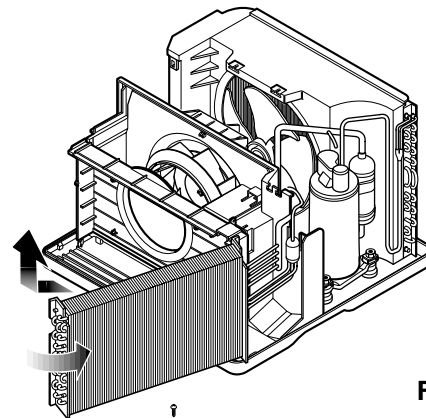


Figure 18

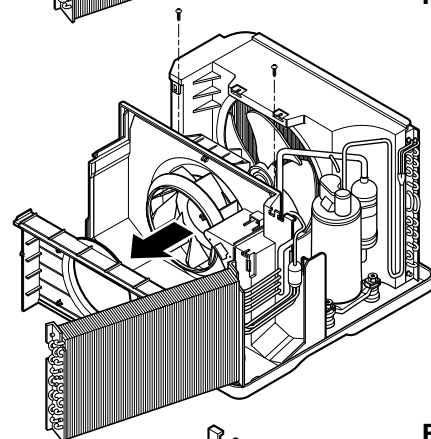


Figure 19

5. FAN

1. Remove the cabinet. (Refer to section 2)
2. Remove the brace (Refer to section 4)
3. Remove the 5 screws which fasten the condenser.
4. Move the condenser to the left carefully.
5. Remove the clamp that secures the fan.
6. Remove the fan. (See Figure 20)
7. Re-install by referring to the removal procedure.

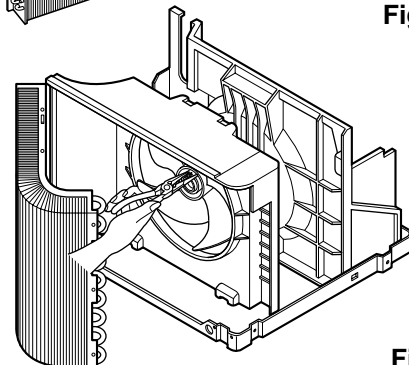


Figure 20

6. Shroud

1. Remove the fan. (Refer to section 2.2.2)
2. Remove the shroud. (See Figure 8)
3. Re-install the components by referring to the removal procedure, above.

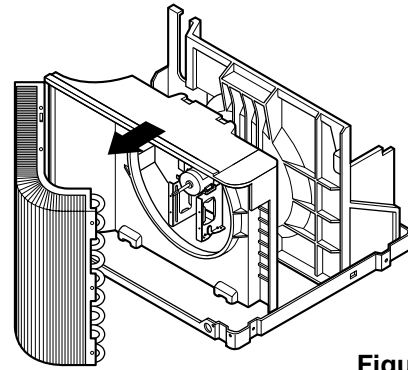


Figure 21

Electrical Parts

7. Overload Protector

1. Remove the cabinet. (Refer to section 2)
2. Remove the nut that fastens the terminal cover.
3. Remove the terminal cover. (See Figure 22)
4. Remove all the leads from the overload protector.
5. Remove the overload protector.
6. Re-install the components by referring to the removal procedure, above.

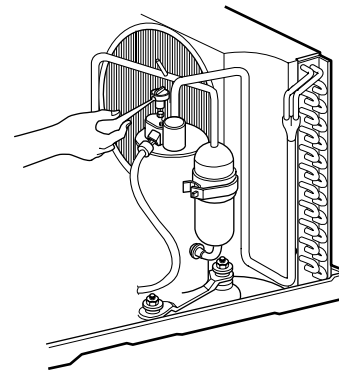


Figure 22

8. Compressor

1. Remove the cabinet. (Refer to section 2)
2. Discharge the refrigerant system using a Freon™ Recovery System.
If there is no valve to attach the recovery system, install one (such as a WATCO A-1) before venting the Freon™. Leave the valve in place after servicing the system.
3. Remove the overload protector. (Refer to section 7)
4. After purging the unit completely, unbraid the suction and discharge tubes at the compressor connections.
5. Remove the 3 nuts and the 3 washers which fasten the compressor.
6. Remove the compressor. (See Figure 23)
7. Re-install the components by referring to the removal procedure, above.

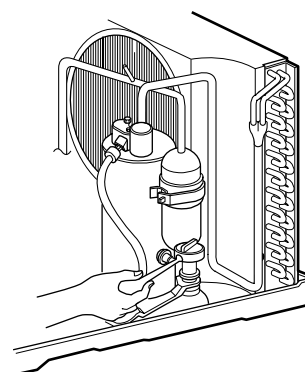


Figure 23

9. Capacitor

1. Remove the control box. (Refer to section 3)
2. Open the top cover from the control box. (See Figure 24)
3. Pull out the capacitor from the control box.
4. Disconnect all the leads of capacitor terminals.
5. Re-install the components by referring to the removal procedure, above.

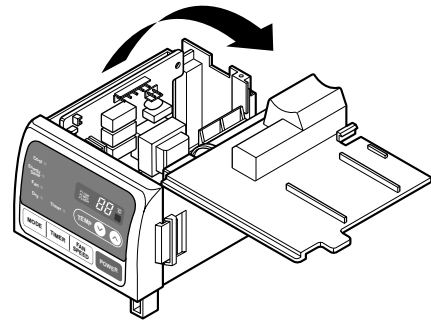


Figure 24

10. Power Cord

1. Remove the control box. (Refer to section 3)
2. Open the top cover from the control box. (Refer to section 9)
3. Disconnect the front panel from the control box. (See Figure 25)
4. Disconnect two leads from the capacitor and relay.
5. Pull out the power cord.
6. Re-install the component by referring to the above removal procedure, above. (Use only one ground-marked hole for ground connection.)
7. If the supply cord of this appliance is damaged, it must be replaced by the special cord. (The special cord means the cord which has the same specification marked on the supply cord attached at the unit.)

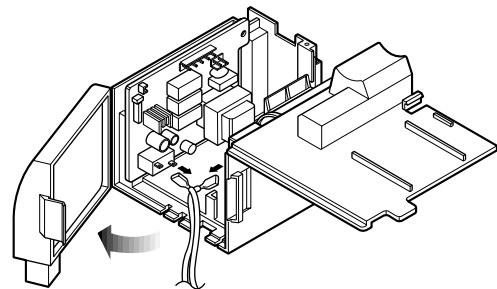
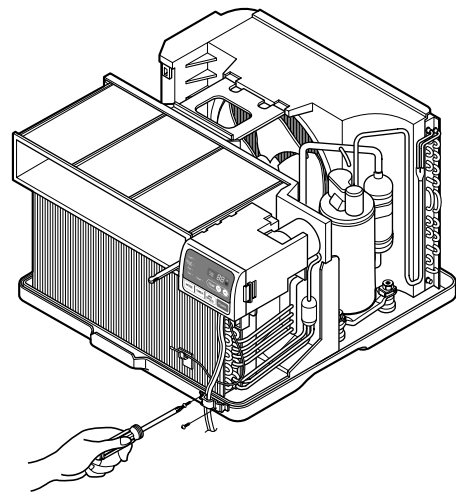


Figure 25

11. Motor

1. Remove the cabinet. (Refer to section 2)
2. Remove the turbo fan. (Refer to section 4)
3. Remove the fan. (Refer to section 5)
4. Remove the 4 screws that fasten the motor from the air guide. (See Figure 26)
5. Remove the motor.
6. Re-install the components by referring to the removal procedure, above.(See Figure 26)

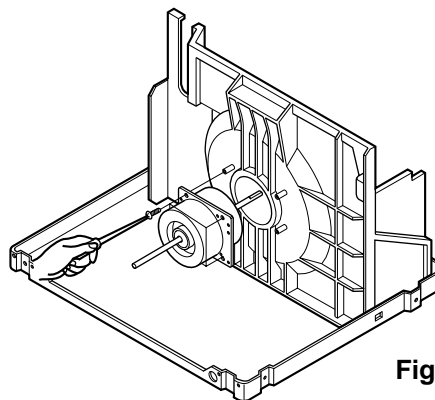


Figure 26

Refrigerating Cycle

12. Condenser

CAUTION: Discharge the refrigerant system using a Freon™ Recovery System. If there is no valve to attach the recovery system, install one (such as a WATCO A-1) before venting the Freon™. Leave the valve in place after servicing the system.

1. Remove the cabinet. (Refer to section 2)
2. Remove the 4 screws that fasten the brace.(Refer to section 4)
3. Remove the 5 screws that fasten the condenser and shroud.
4. After discharging the refrigerant completely, unbraid the interconnecting tube at the condenser connections.
5. Remove the condenser.
6. Re-install the components by referring to notes. (See Figure 27)

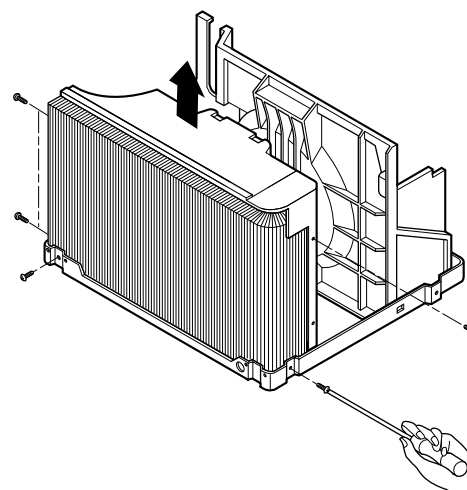


Figure 27

13. Evaporator

1. Remove the control box.(Refer to section 3)
2. Remove the air guide upper. (Refer to section 4)
3. Remove the 2 screws that fasten the evaporator.
4. Move the evaporator sideways carefully. (Refer to section 4)
5. After discharging the refrigerant completely, unbraid the interconnecting tube at the evaporator connections.
6. Remove the evaporator.
7. Re-install the components by referring to notes. (See Figure 28)

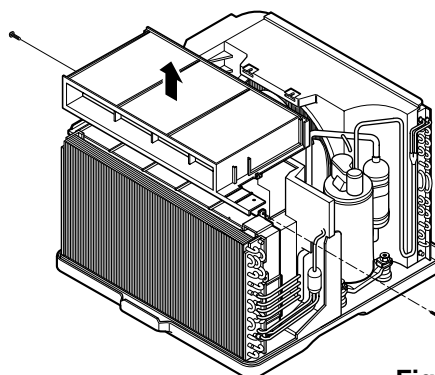


Figure 28


14. Capillary Tube

1. Remove the cabinet. (Refer to section s2)
2. After discharging the refrigerant completely, unbrazed the interconnecting tube at the capillary tube. (See caution above)

NOTICE

— Replacement of the refrigeration cycle.

1. When replacing the refrigeration cycle, be sure to discharge the refrigerant system using a Freon™ recovery System.
If there is no valve to attach the recovery system, install one (such as a WATCO A-1) before venting the Freon™. Leave the valve in place after servicing the system.
2. After discharging the unit completely, remove the desired component, and unbrazed the pinch-off tubes.
3. Solder service valves into the pinch-off tube ports, leaving the valves open.
4. Solder the pinch-off tubes with Service valves.
5. Evacuate as follows.
 - 1) Connect the vacuum pump, as illustrated figure 29A.
 - 2) Start the vacuum pump, slowly open manifold valves A and B with two full turns counterclockwise and leave the valves open.
The vacuum pump is now pulling through valves A and B up to valve C by means of the manifold and entire system.

 **CAUTION: If high vacuum equipment is used, just crack valves A and B for a few minutes, then open slowly with the two full turns counterclockwise. This will keep oil from foaming and being drawn into the vacuum pump.**

- 3) Operate the vacuum pump vacuum for 20 to 30 minutes, until 600 microns of vacuum is obtained. Close valves A and B, and observe vacuum gauge for a few minutes. A rise in pressure would indicate a possible leak or moisture remaining in the system. With valves A and B closed, stop the vacuum pump.
- 4) Remove the hose from the vacuum pump and place it on the charging cylinder. See figure 29B.
Open valve C.
Discharge the line at the manifold connection.
- 5) The system is now ready for final charging.

3. Remove the capillary tube.
4. Re-install the components by referring to notes.

6. Recharge as follows :
 - 1) Refrigeration cycle systems are charged from the High-side. If the total charge cannot be put in the High-side, the balance will be put in the suction line through the access valve which you installed as the system was opened.
 - 2) Connect the charging cylinder as shown in figure 29B.
With valve C open, discharge the hose at the manifold connection.
 - 3) Open valve A and allow the proper charge to enter the system. Valve B is still closed.
 - 4) If more charge is required, the high-side will not take it. Close valve A.
 - 5) With the unit running, open valve B and add the balance of the charge.
 - a. Do not add the liquid refrigerant to the Low-side.
 - b. Watch the Low-side gauge; allow pressure to rise to 30 lbs.
 - c. Turn off valve B and allow pressure to drop.
 - d. Repeat steps b. and c. until the balance of the charge is in the system.
 - 6) When satisfied the unit is operating correctly, use the pinch-off tool with the unit still running and clamp on to the pinch-off tube. Using a tube cutter, cut the pinch-off tube about 2 inches from the pinch-off tool. Use sil-fos braze and braze pinch-off tube closed. Turn off the unit, allow it to set for a while, and then test the leakage of the pinch-off connection.

Equipment needed: Vacuum pump, Charging cylinder, Manifold gauge, Brazing equipment. Pin-off tool capable of making a vapor-proof seal, Leak detector, Tubing cutter, Hand Tools to remove components, Service valve.

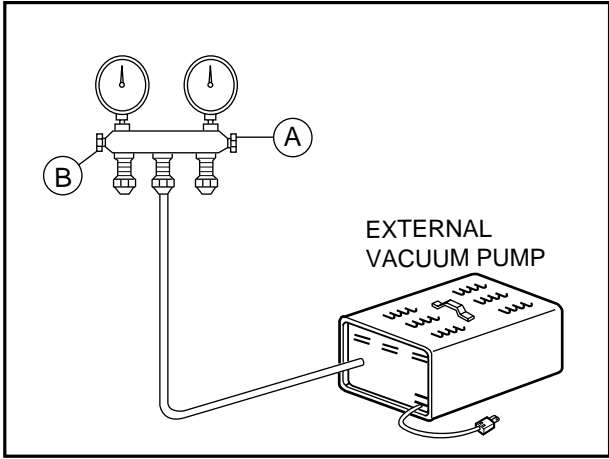
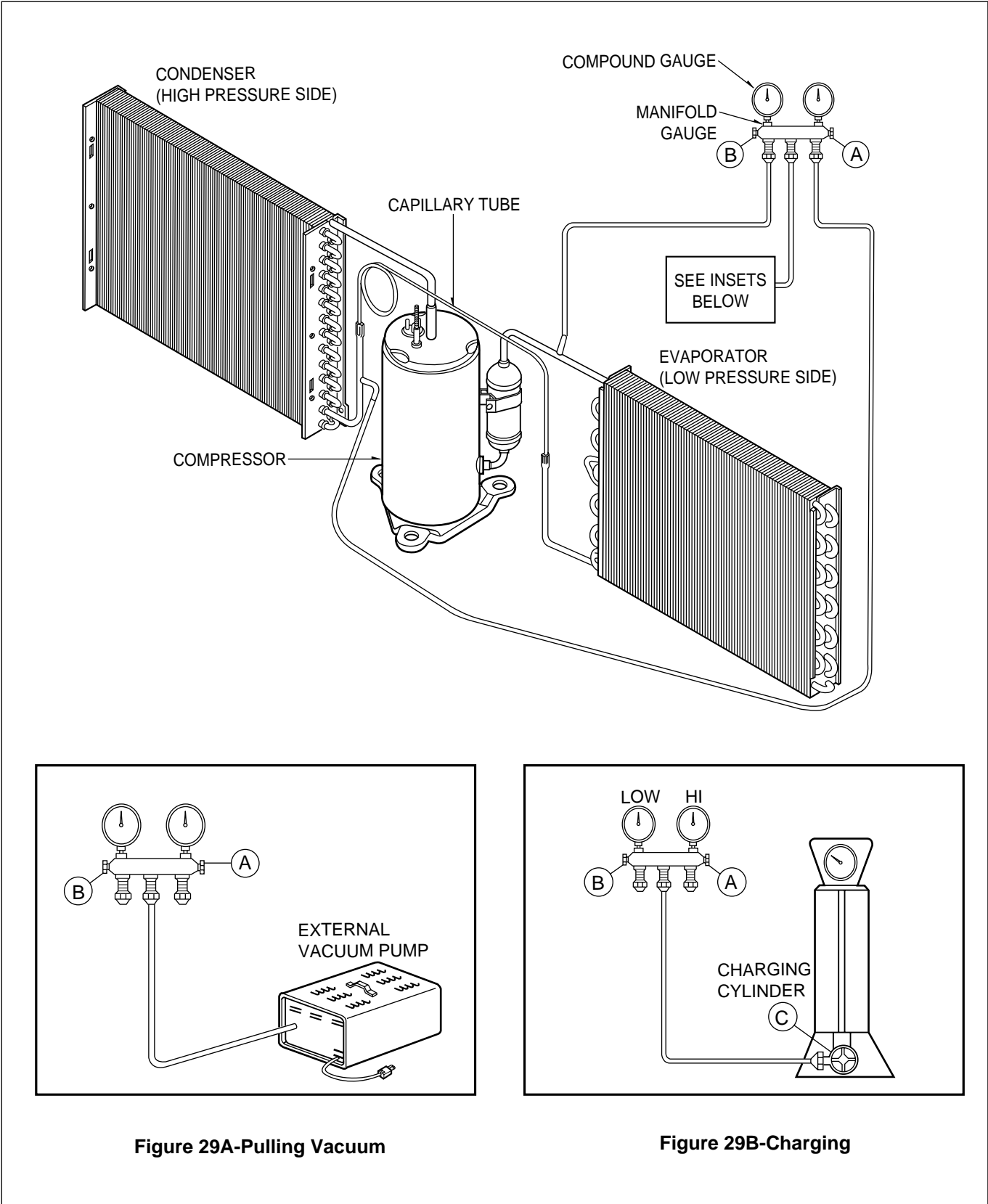


Figure 29A-Pulling Vacuum

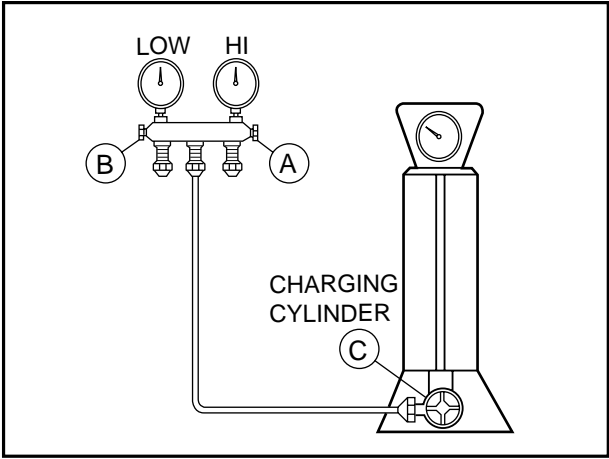
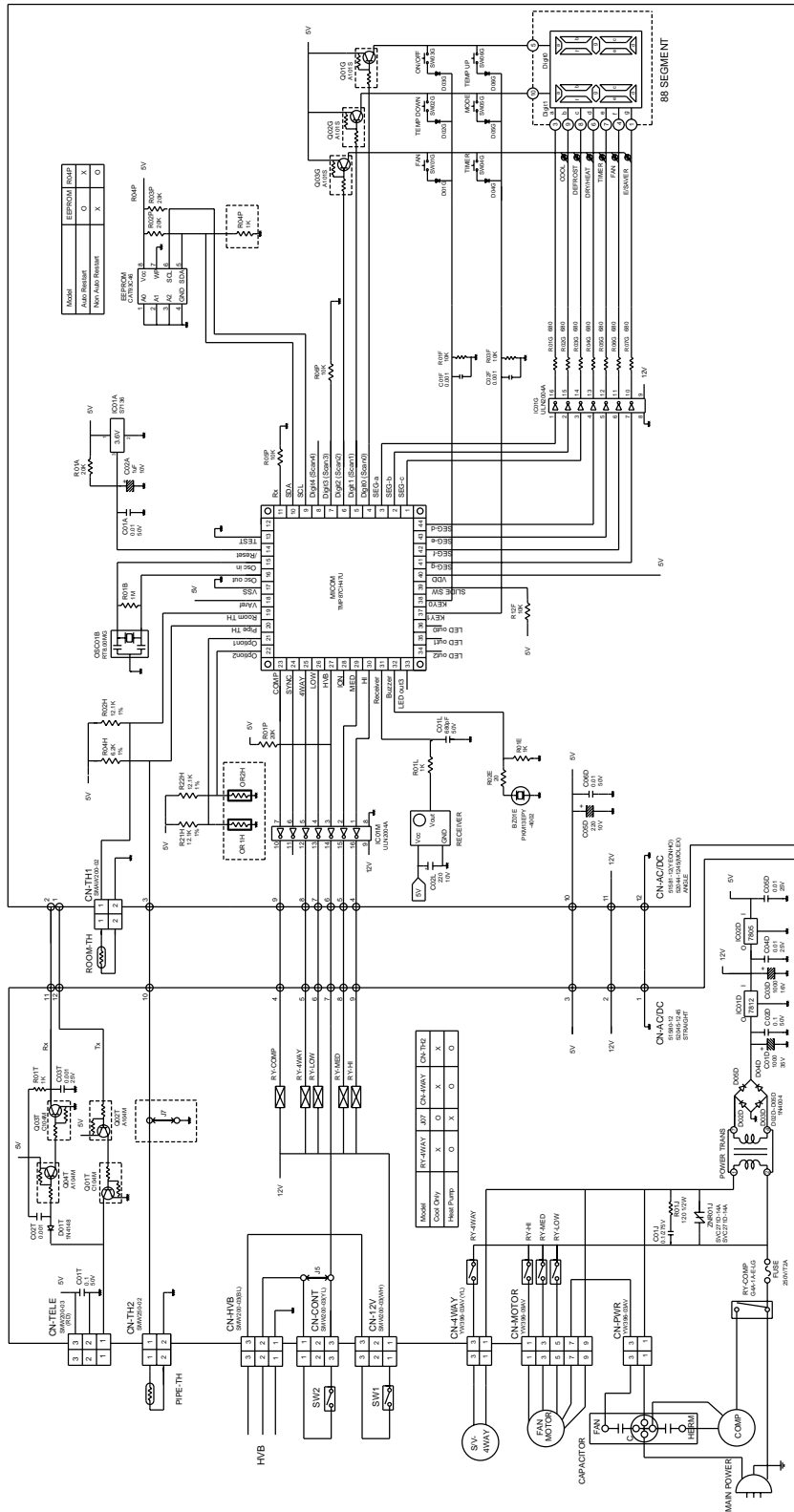


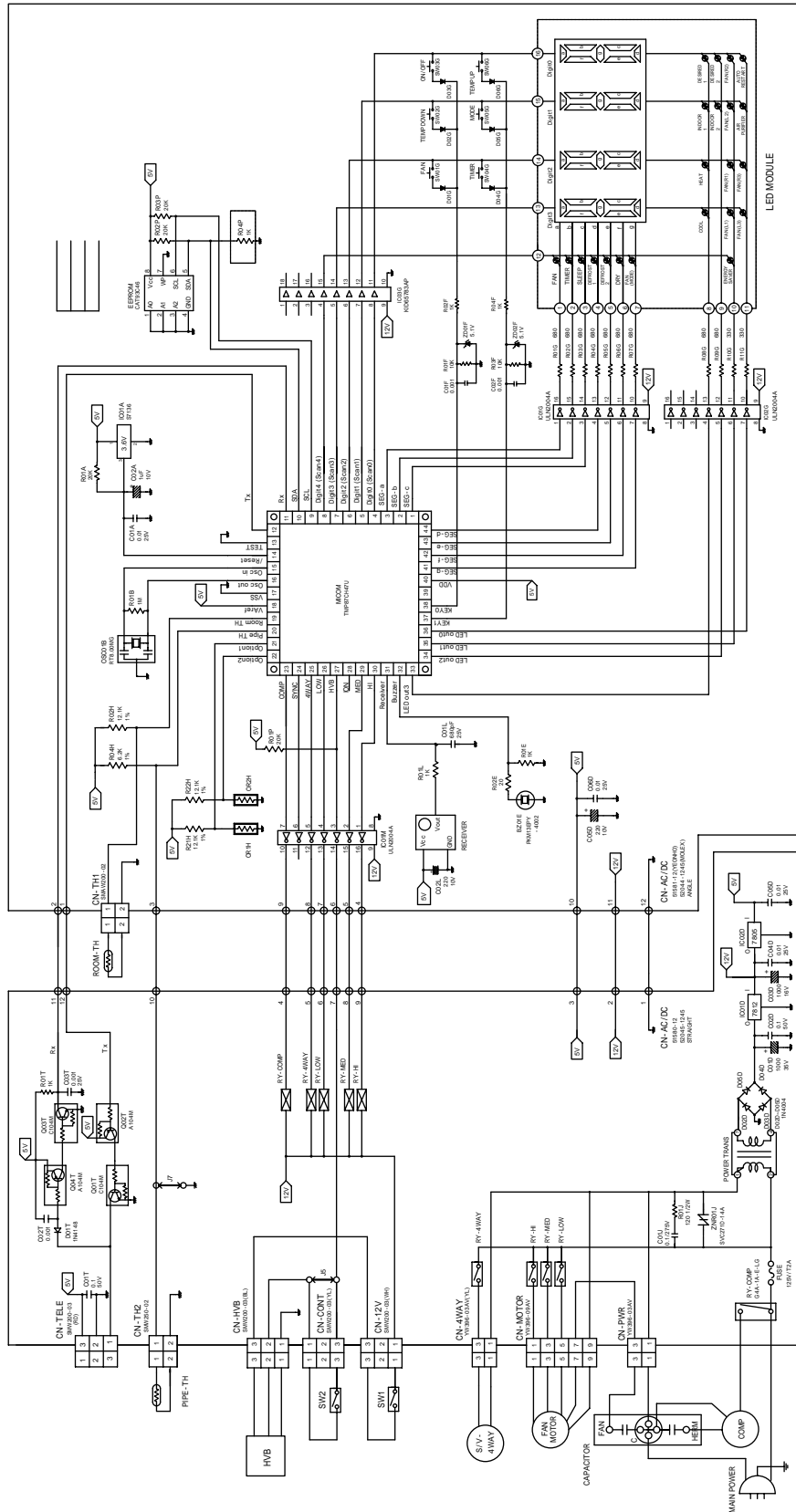
Figure 29B-Charging

Schematic Diagram

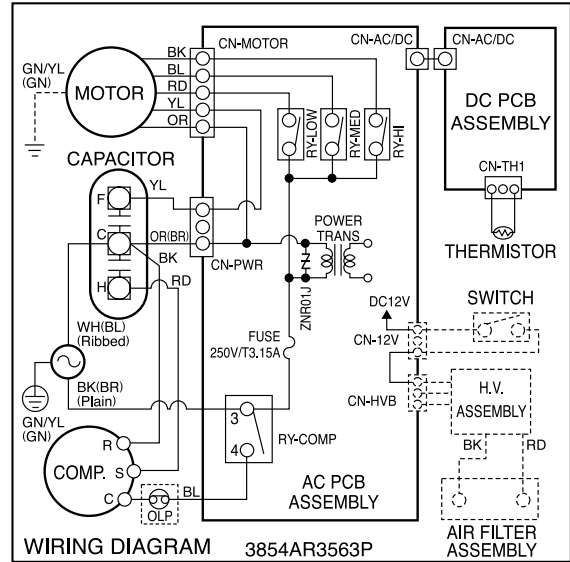
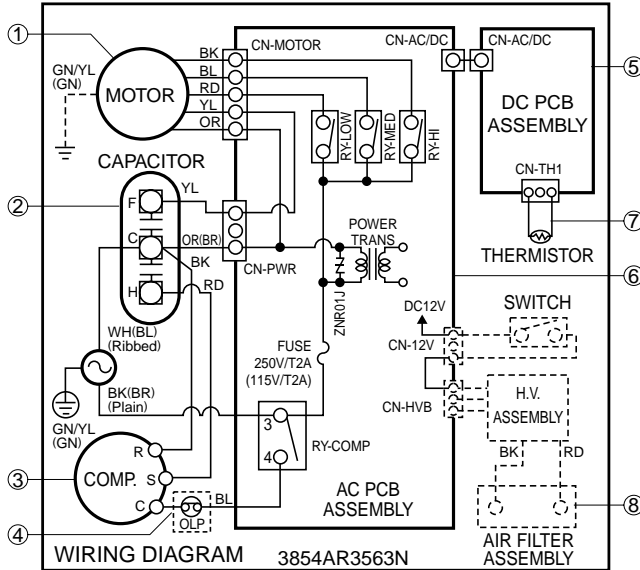
Electronic Control Device



MODEL: LW1200PR / LW1000PR / LWL1210WAL / LWL1230WAL / LW100CS / LW120CS
LW1004ER / LB1000ER



Wiring Diagram



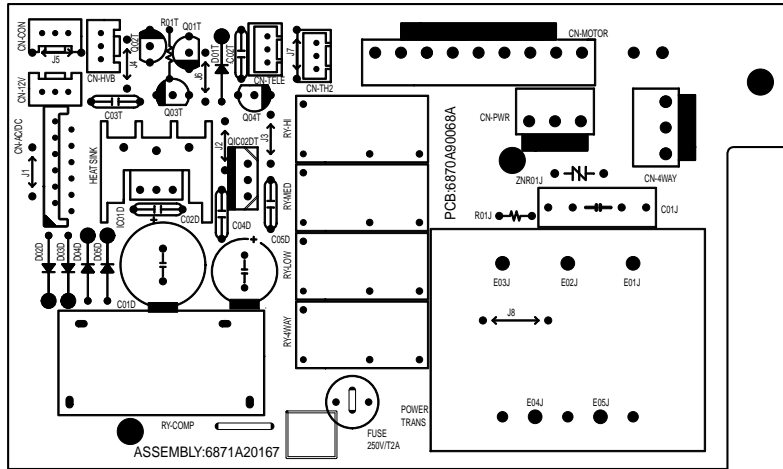
S: Service Parts
N: Non Service Parts

LOCATION NO.	DESCRIPTION	Q'TY PER SET	REMARKS
1	MOTOR ASSY	1	S
2	CAPACITOR	1	S
3	COMPRESSOR	1	S
4	OVERLOAD PROTECTOR	1	S
5	DC PCB ASSEMBLY	1	S
6	AC PCB ASSEMBLY	1	S
7	THERMISTOR	1	S
8	PLASMA FILTER ASSY	1	S

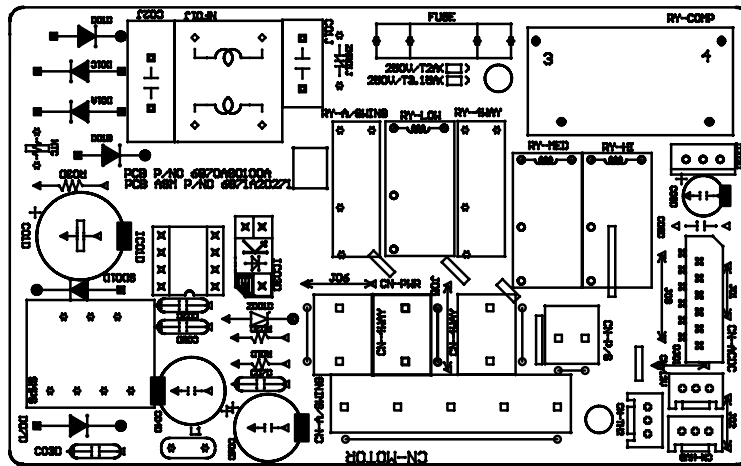
Components Location

1. MAIN P.C.B ASSEMBLY

■ LW1004ER / LB1000ER

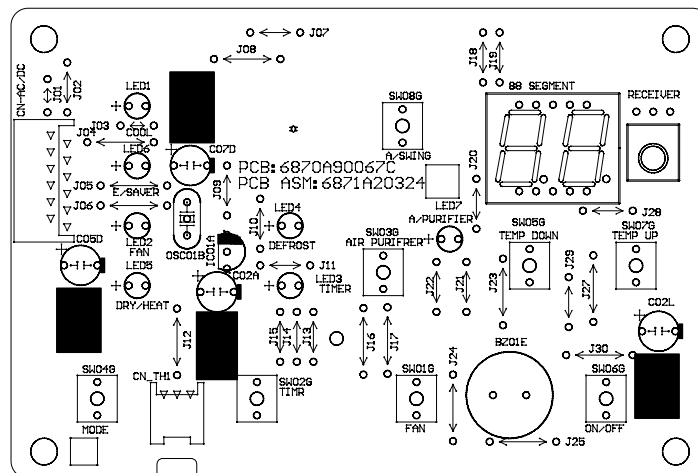


■ LW1000PRY3/LW1200PRY3

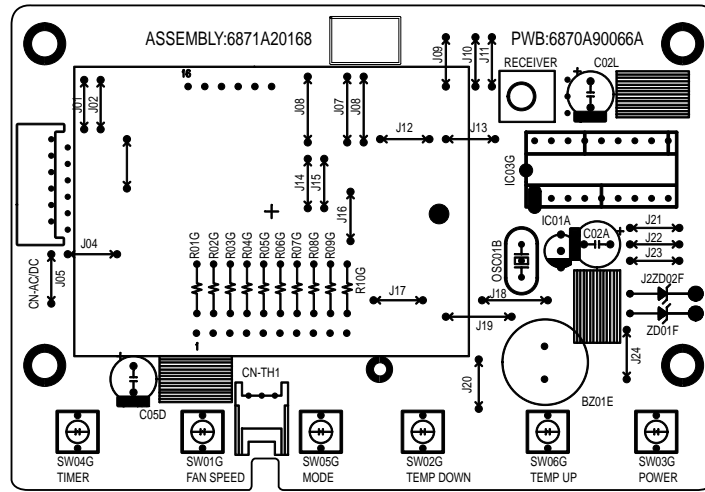


2. DISPLAY P.C.B. ASSEMBLY

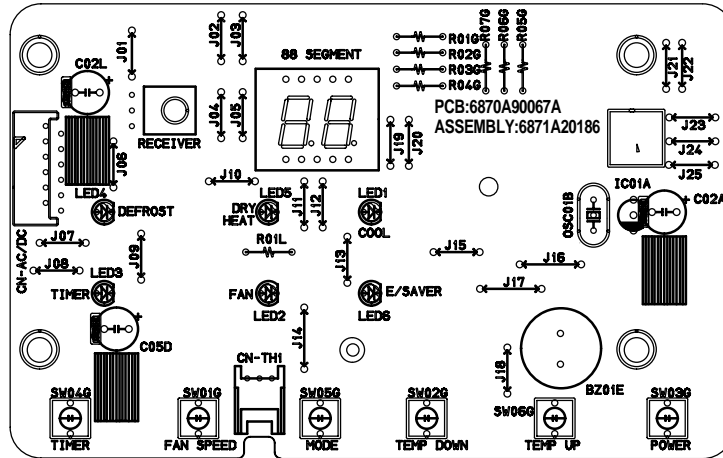
■ LW1000ERY3/LB1200ER/WM-1231/LW1200ERY3/WM-1231/LW1200ERY3 / LB1000ER



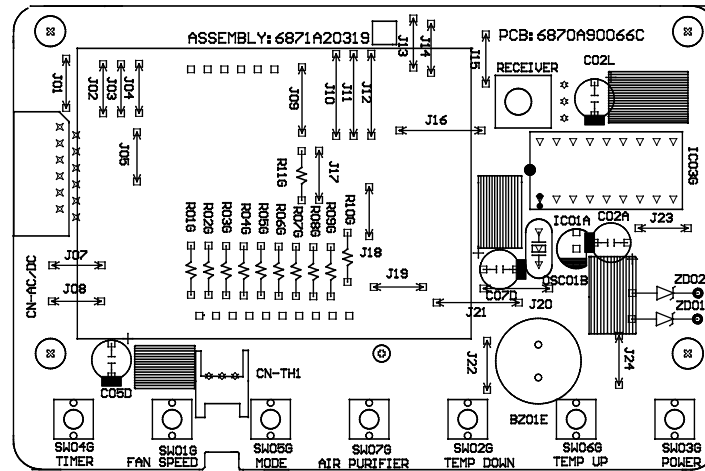
■ MODEL: LW1200PR/LW1000PR/LWL1210WAL/LWL1230WAL



■ MODEL: LW1200ER/LW1000ER



■ MODEL: LW120CS/LW100CS/LW1000PRY3/LW1200PRY3/LW1004ER



Troubleshooting Guide

Piping System

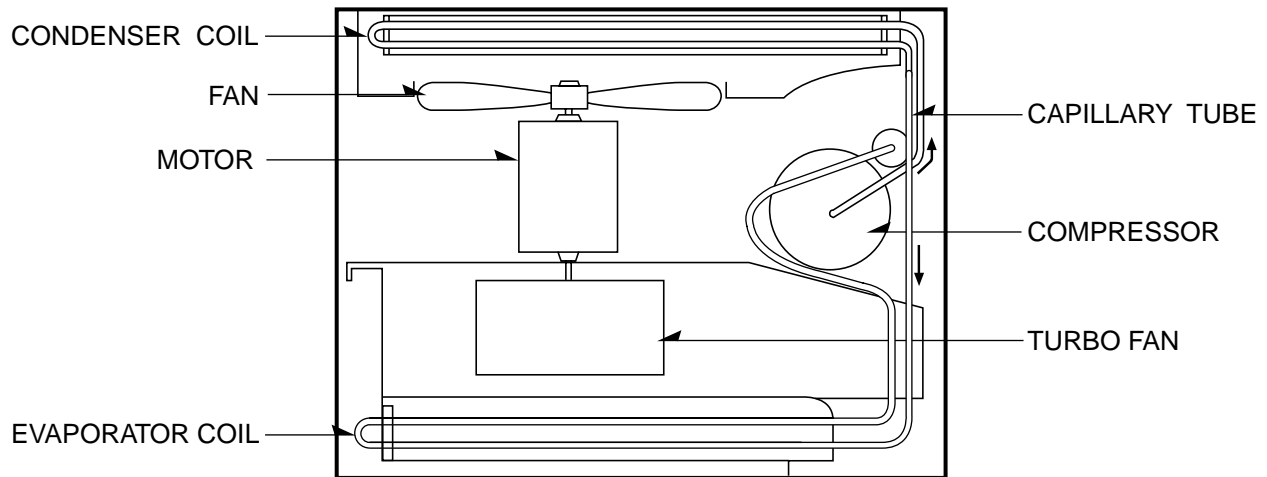
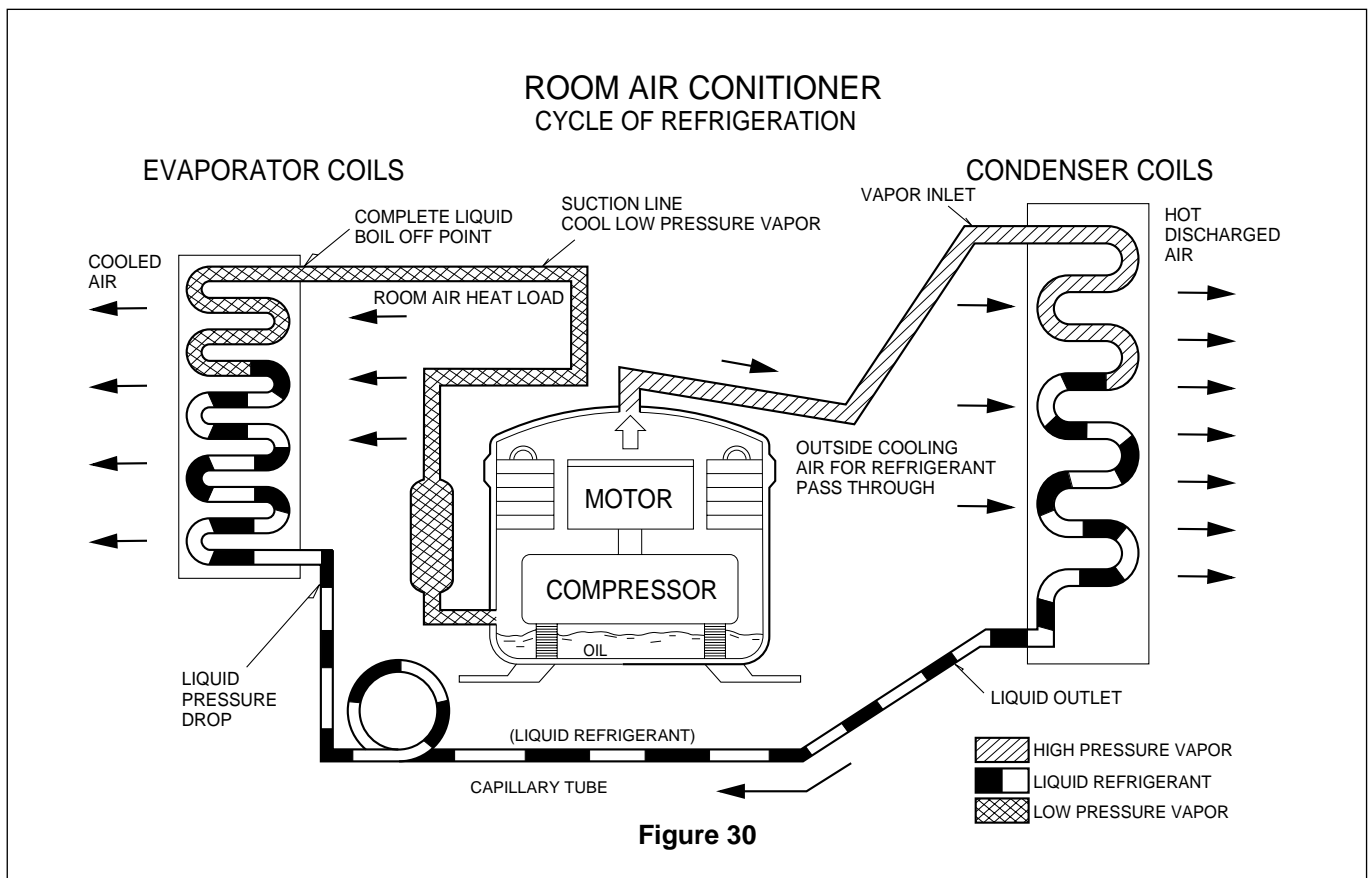


Figure 30 is a brief description of the important components and their function in what is called the refrigeration system. This will help you to understand the refrigeration cycle and the flow of the refrigerant in the cooling cycle.

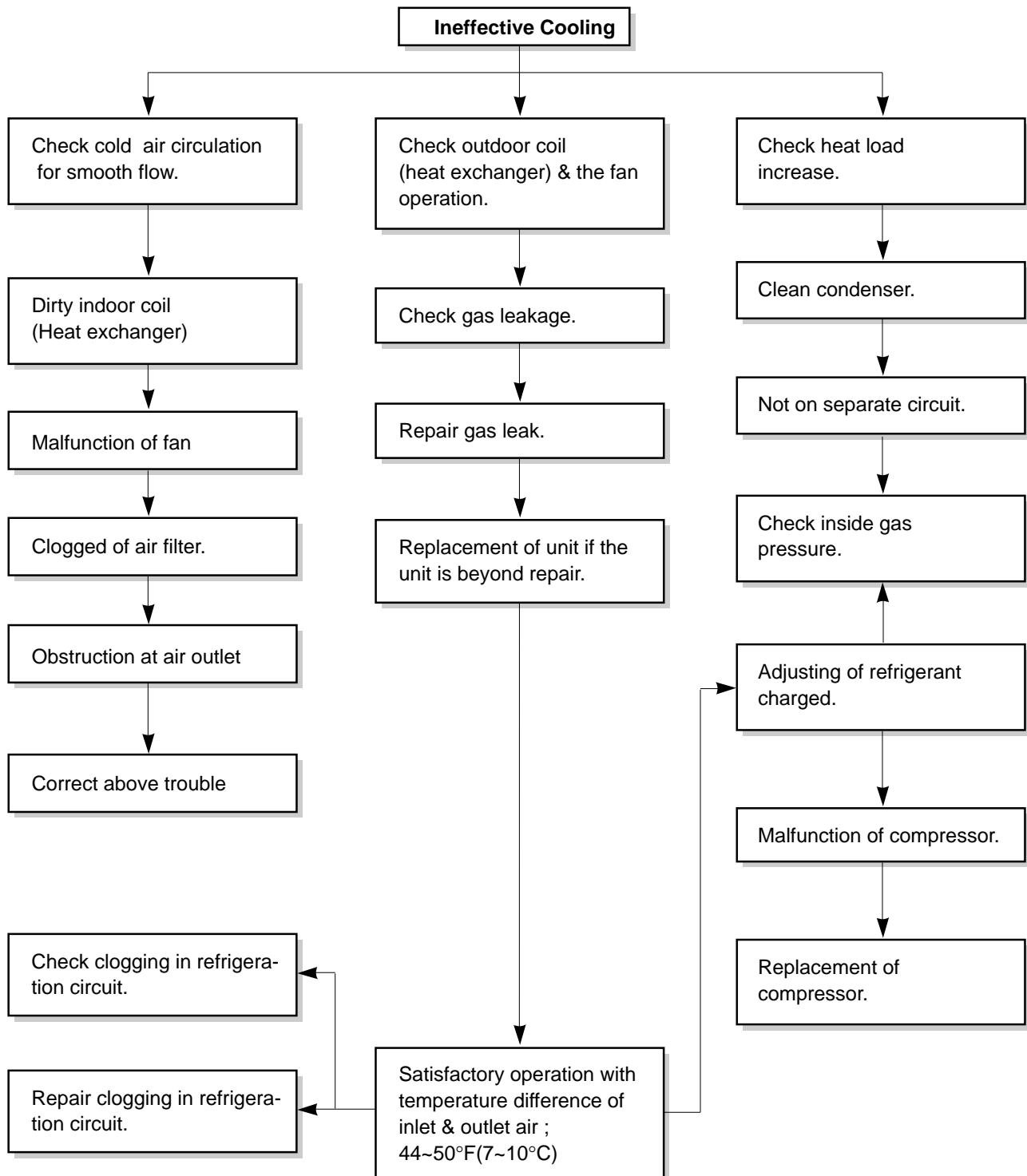


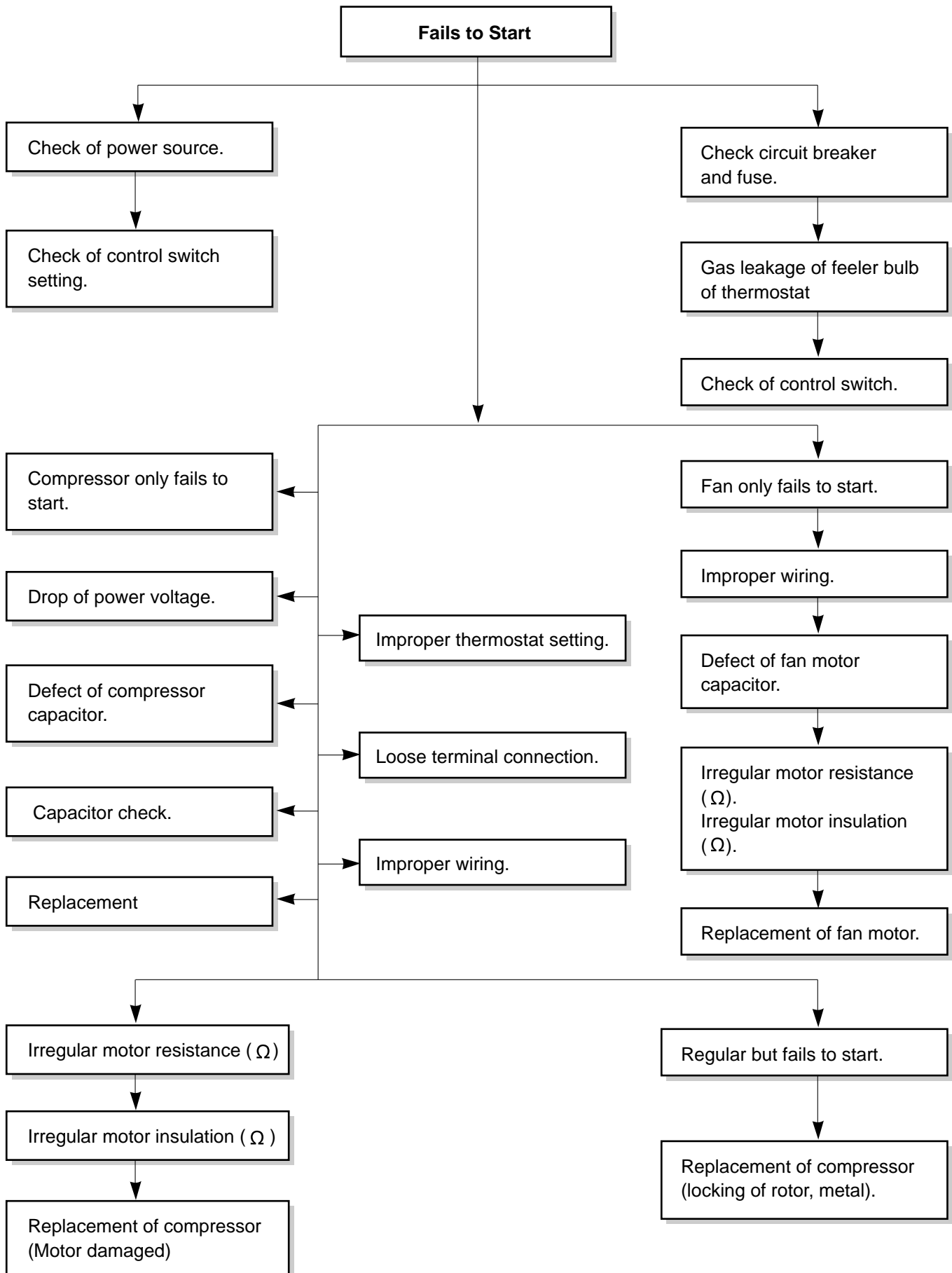
Troubleshooting Guide

In general, possible trouble is classified in two kinds.

The one is called Starting Failure which is caused from an electrical defect, and the other is ineffective Air Conditioning caused by a defect in the refrigeration circuit and improper application.

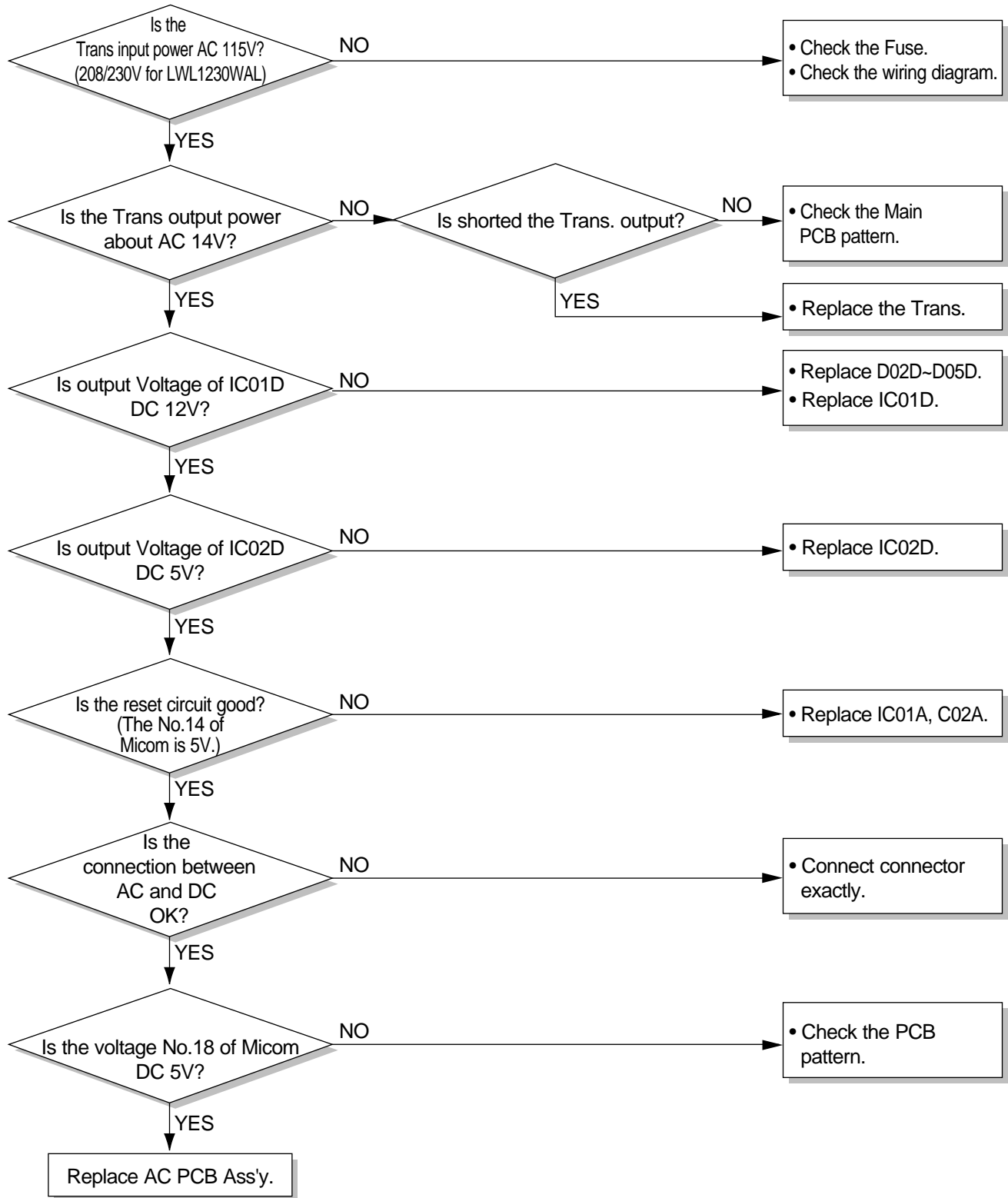
Unit runs but poor cooling.





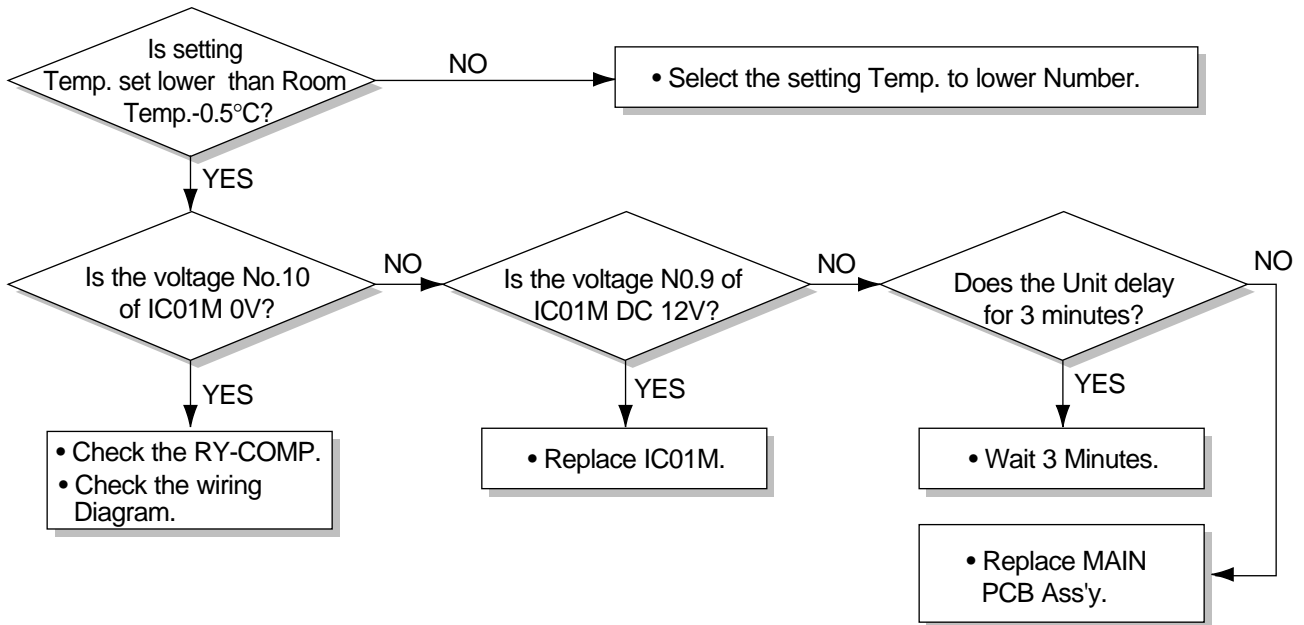
Electrical Parts Troubleshooting Guide

Possible Trouble 1 The unit does not operate.



Possible Trouble 2

The compressor does not operate.

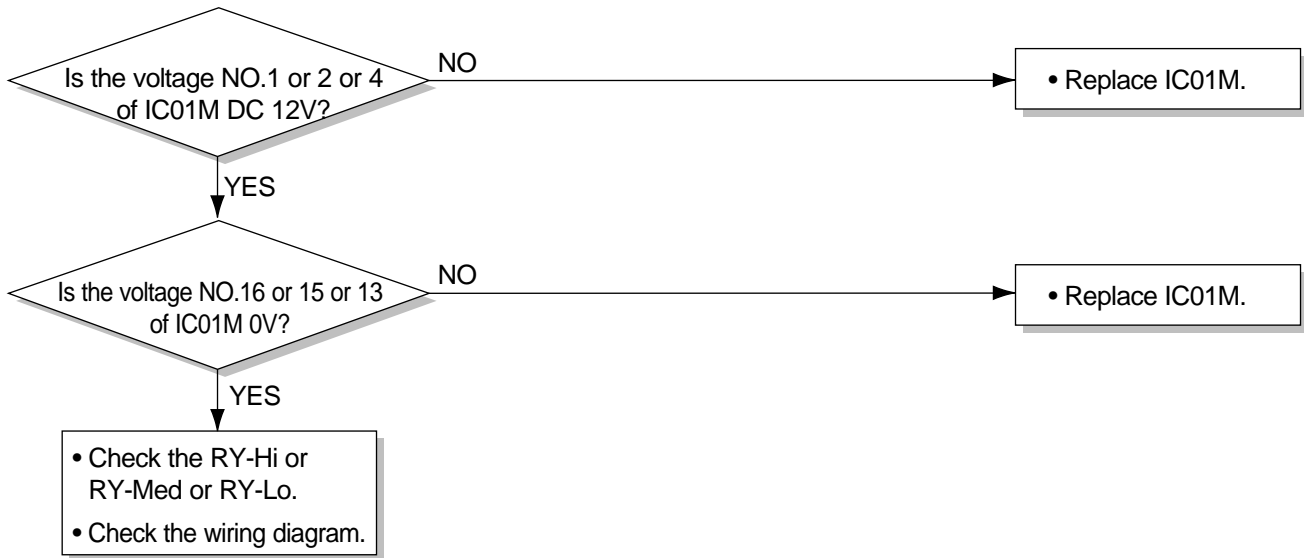


Possible Trouble 3

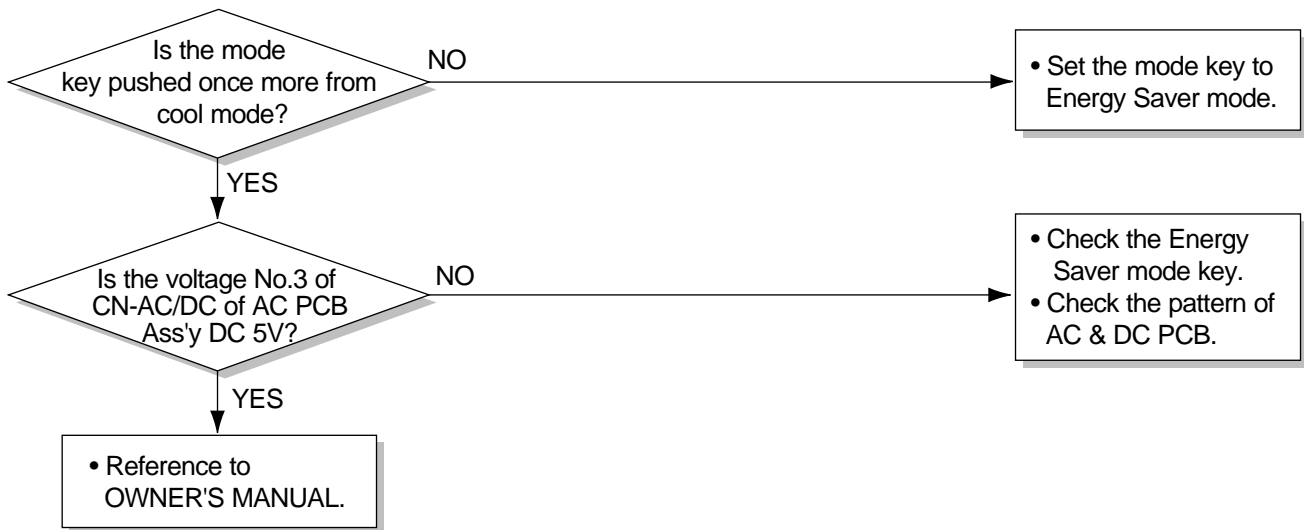
The compressor always operate.



Possible Trouble 4 FAN does not operate.

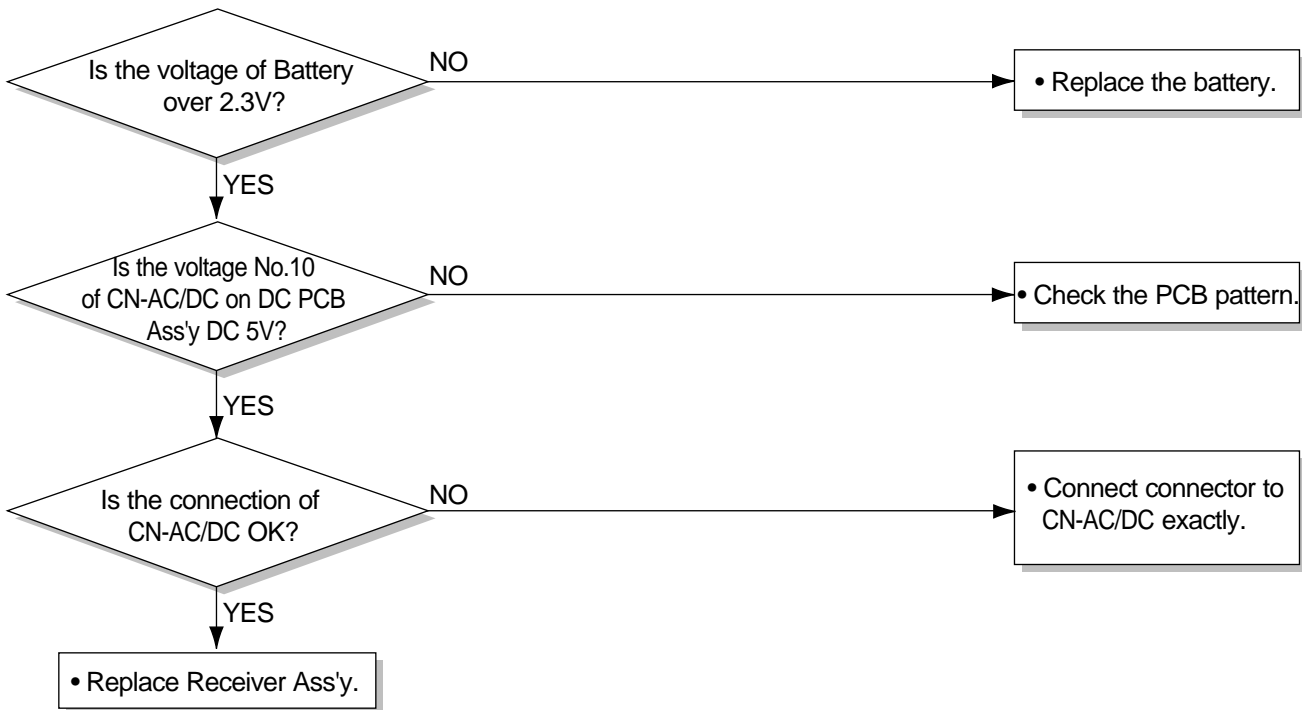


Possible Trouble 5 The function of Energy Saver does not operate.



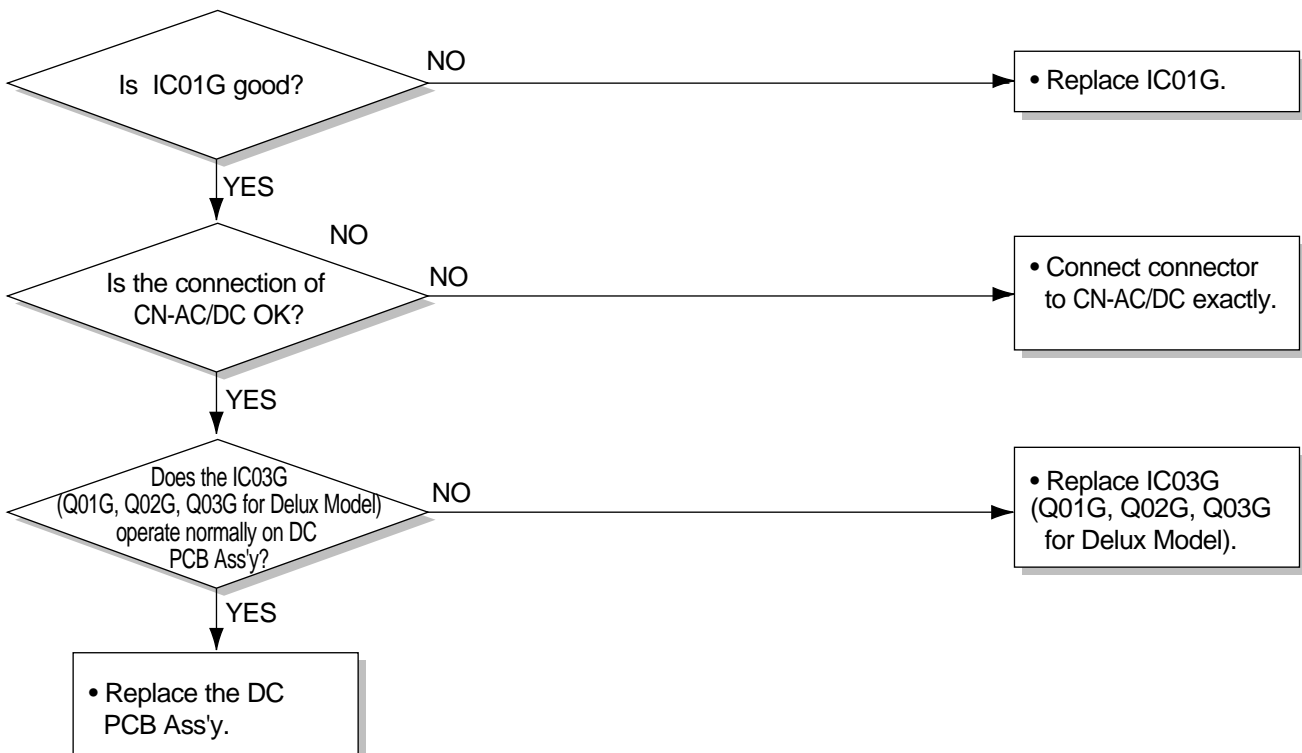
Possible Trouble 6

Remote controller does not operate.



Possible Trouble 7

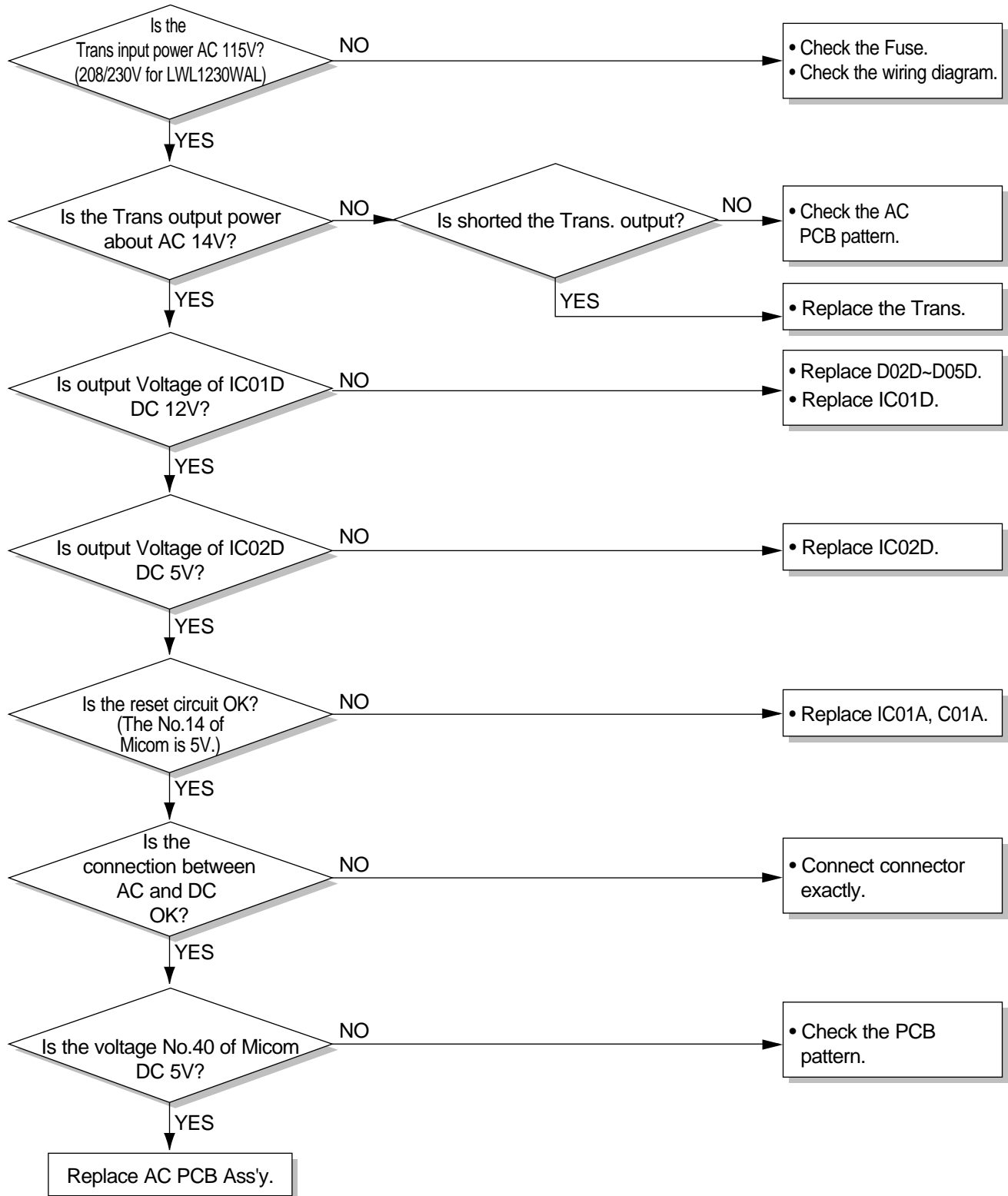
It displays abnormally on DC PCB Ass'y.



Electrical Parts

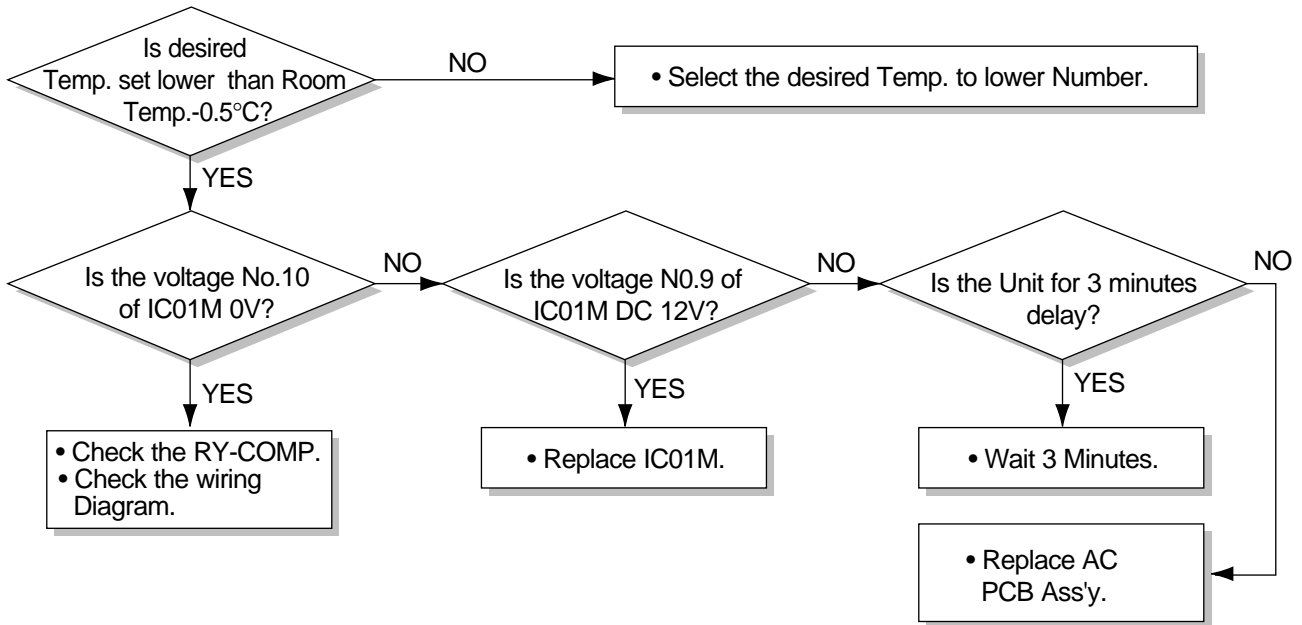
Possible Trouble 1

The unit does not operate.



Possible Trouble 2

The compressor does not operate.

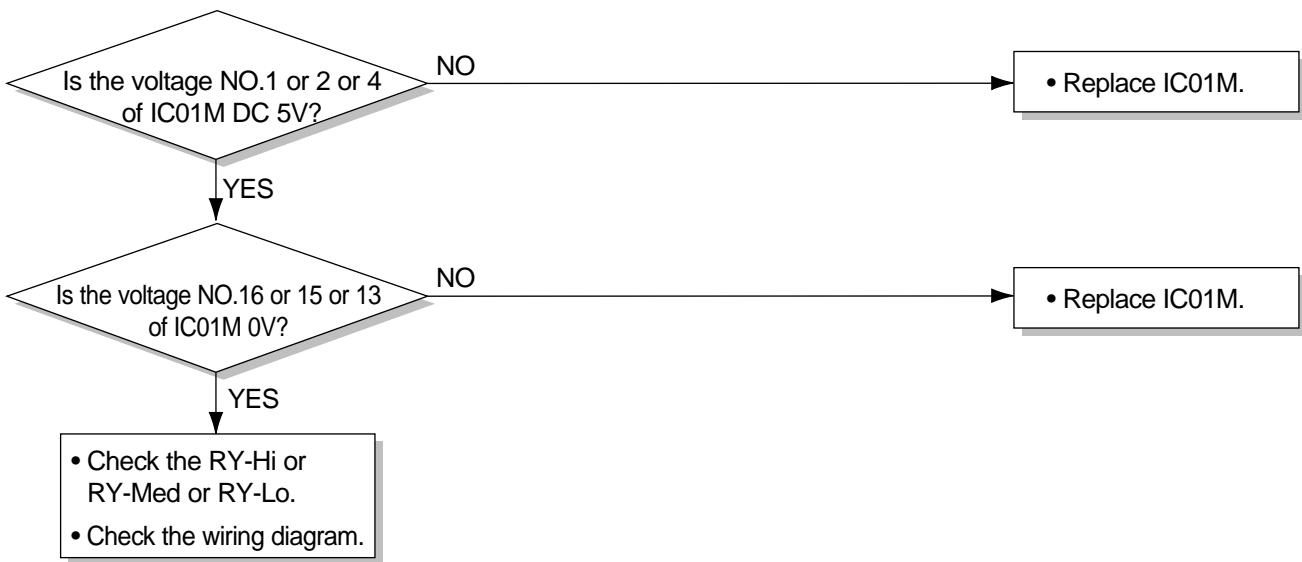


Possible Trouble 3

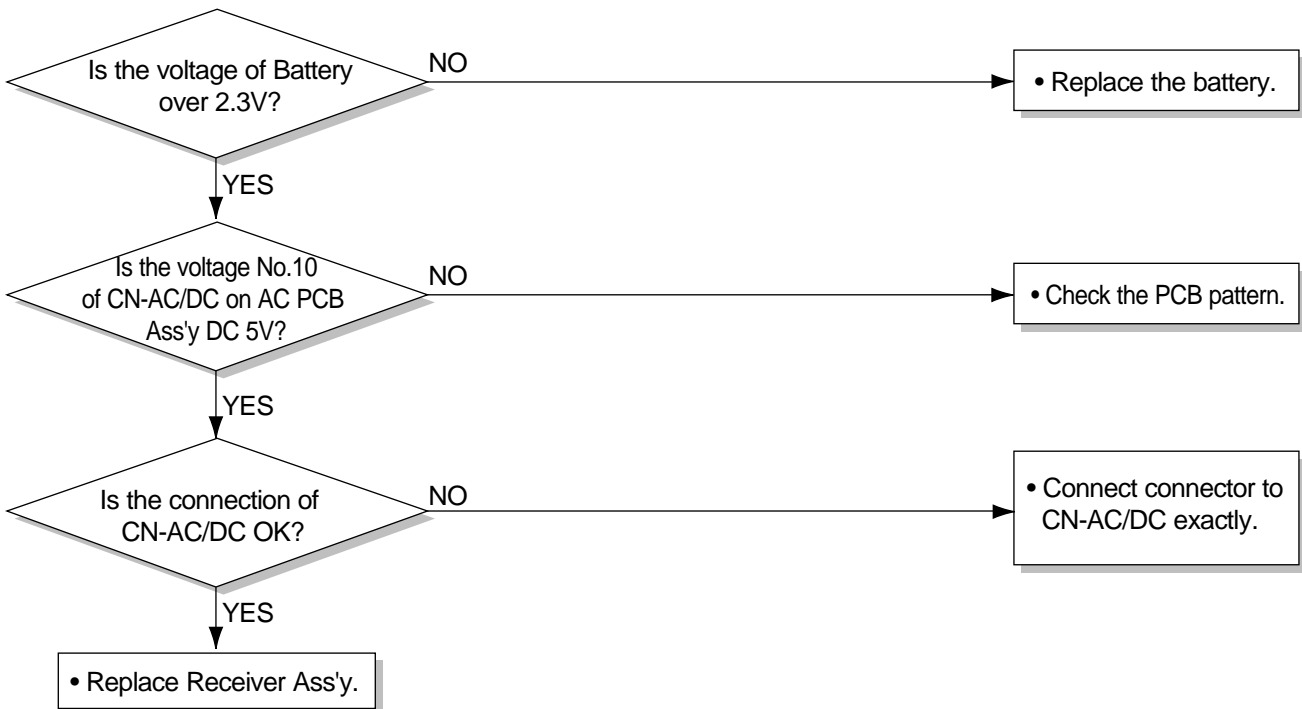
The compressor always operate.



Possible Trouble 4 FAN does not operate.

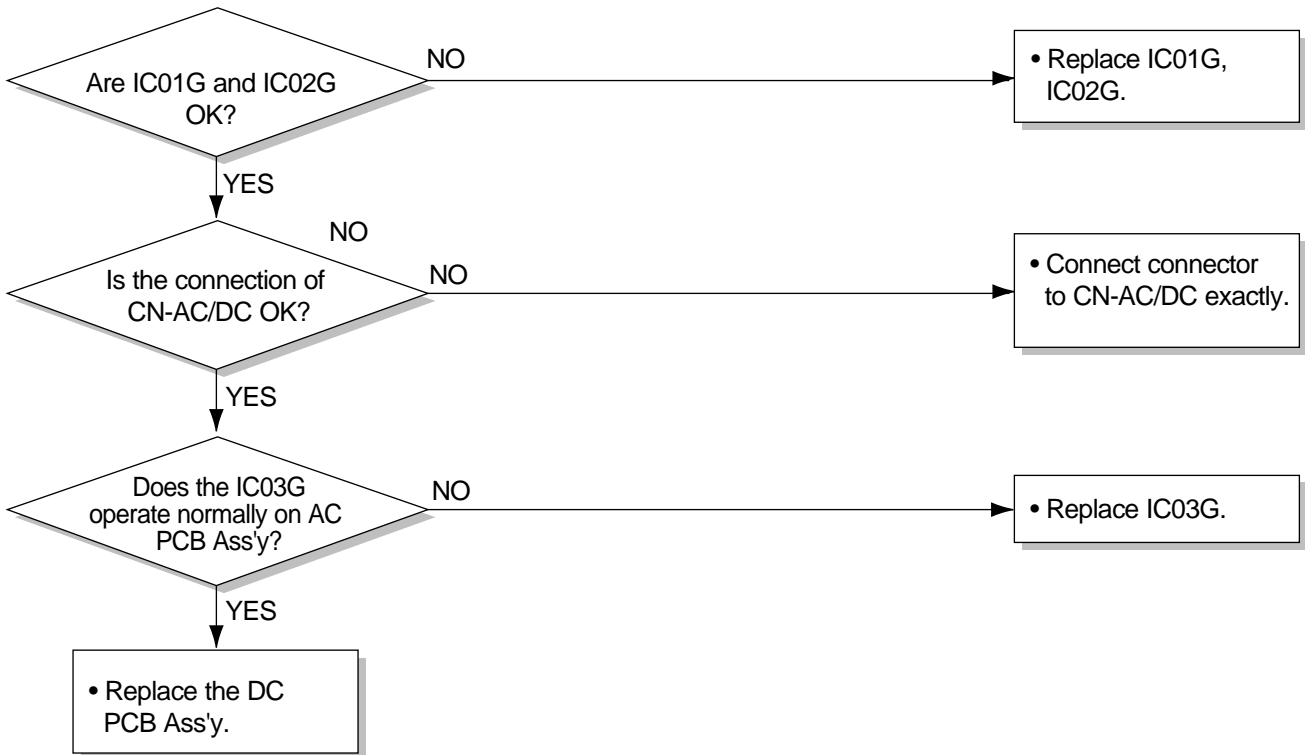


Possible Trouble 5 Remote controller does not operate.



Possible Trouble 6

It displays abnormally on DC PCB Ass'y.



COMPLAINT	CAUSE	REMEDY
Fan motor will not run.	No power	Check voltage at outlet. Correct if none.
	Power supply cord	Check voltage to Control Box. If none, check power supply cord. Replace cord if circuit is open.
	Wire disconnected or connection loose	Connect wire. Refer to wiring diagram for terminal identification. Repair or replace loose terminal.
	Capacitor (Discharge capacitor before testing.)	Test capacitor. Replace if not within $\pm 10\%$ of manufacturer's rating. Replace if shorted, open, or damaged.
	Will not rotate	Fan blade hitting shroud or blower wheel hitting scroll. Realign assembly. Units using slinger ring for condenser fan must have $\frac{1}{4}$ to $\frac{5}{16}$ inch clearance to the base. If it hits the base, shim up the bottom of the fan motor with mounting screw(s). Check fan motor bearings; if motor shaft will not rotate, replace the motor.
Fan motor runs intermittently	Revolves on overload.	Check voltage. If not within limits, call an electrician. Test capacitor. Check bearings. Does the fan blade rotate freely? If not, replace fan motor. Pay attention to any change from high speed to low speed. If the speed does not change, replace the motor.
Fan motor noise.	Fan	If cracked, out of balance, or partially missing, replace it.
	Turbo	If cracked, out of balance, or partially missing, replace it.
	Loose clamper	Tighten it.
	Worn bearings	If knocking sounds continue when running or loose, replace the motor. If the motor hums or noise appears to be internal while running, replace motor.
Compressor will not run, but fan motor runs.	Voltage	Check voltage. If not within limits, call an electrician.
	Wiring	Check the wire connections, if loose, repair or replace the terminal. If wires are off, refer to wiring diagram for identification, and replace. Check wire locations. If not per wiring diagram, correct.

COMPLAINT	CAUSE	REMEDY
Compressor will not run, but fan motor runs.	Thermistor	Check the TEMP control. If not at the lowest number, set TEMP control to this setting and restart the unit. Check the continuity of the thermistor. Replace the thermistor if the circuit is open.
	Capacitor (Discharge capacitor before servicing.)	Check the capacitor. Replace if not within $\pm 10\%$ of manufacturers rating. Replace if shorted, open, or damaged.
	Compressor	Check the compressor for open circuit or ground. If open or grounded, replace the compressor.
	Overload	Check the compressor overload, if externally mounted. Replace if open. (If the compressor temperature is high, remove the overload, cool it, and retest.)
Compressor cycles on overload.	Voltage	Check the voltage. If not within limits, call an electrician.
	Overload	Check overload, if externally mounted. Replace if open. (If the compressor temperature is high, remove the overload, cool, and retest.)
Compressor cycles on overload.	Fan motor	If not running, determine the cause. Replace if required.
	Condenser air flow restriction	Remove the cabinet. inspect the interior surface of the condenser; if restricted, clean carefully with a vacuum cleaner (do not damage fins) or brush. Clean the interior base before reassembling.
	Condenser fins (damaged)	If condenser fins are closed over a large area on the coil surface, head pressures will increase, causing the compressor to overload. Straighten the fins or replace the coil.
Compressor cycles on overload.	Capacitor	Test capacitor.
	Wiring	Check the terminals. If loose, repair or replace.
	Refrigerating system	Check the system for a restriction.
Insufficient cooling or heating	Air filter	If restricted, clean or replace.
	Exhaust damper door	Close if open.
	Unit undersized	Determine if the unit is properly sized for the area to be cooled.
Excessive noise	Turbo or fan	Check the set screw or clamp. If loose or missing, correct. If the turbo or fan is hitting air guide, rearrange the air handling parts.
	Copper tubing	Remove the cabinet carefully and rearrange tubing not to contact cabinet, compressor, shroud, and barrier.

Replacement Parts List

LOCATION NO.	DESCRIPTION	PART NO.		REMARK
		LW1200PR	LW1200ER	
130410	BASE PAN WELD ASS'Y	3041A20020J		R
130910	CABINET ASS'Y	3091A10032C		R
135312	FRONT GRILL ASS'Y	3531A20098A		R
135313	INLET GRILLE	3530A20037A		R
135500	COVER, CONTROL BOX	3550A30114A		R
145200	LINK	4520A20007A		R
147581	HORIZONTAL LOUVER	4758A20018A		R
147582-1	VERTICAL LOUVER	4758A20041A		R
147582-2	VERTICAL LOUVER	4758A20041B		R
148000	BRACE	4800A30002B		R
149980	SHROUD	4999A20001A		R
152302	AIR FILTER ASS'Y	5231A20007A		R
152312	PLASMA FILTER ASS'Y	5983A10009H	-	R
237200	CONTROL PANEL	3720A10061A		R
249950	CONTROL BOX ASS'Y	4995A20194A	4995A20194G	R
268712	DISPLAY PCB ASS'Y	6871A20168A	6871A20186A	R
238310	ESCUTCHEON	3831A10020A	3831A10021A	R
268714	MAIN PCB ASS'Y	6871A20167A	6871A20167C	R
263230	THERMISTOR ASS'Y	6323A20004D		R
264110	POWER CORD ASS'Y	6411A20011H		R
267110	REMOTE CONTROLLER ASSEMBLY	6711A20052A	6711A20034G	R
346811	MOTOR ASS'Y	4681A20027W		R
349001	VENTILATION DAMPER	4900A20002A		R
349480	ORIFICE	4948A10015A		R
552111	TUBE ASS'Y CAPILLARY	5211AR3332W		R
352113	DISCHARGE TUBE	5211AR2930Q		R
352115	TUBE FORMED, EVAPORATOR	5211A20388B		R
35211A	SUCTION TUBE ASS'Y	5211A20228E		R
352390	AIR GUIDE ASSEMBLY	5239A2004A		R
354210	EVAPORATOR ASS'Y	5421A20099A		R
567502	OVERLOAD PROTECTOR	6750U-L029A		R
550140	ISOLATOR, COMP	4830AR4335A		R
554030	CONDENSER ASS'Y	5403A20042D		R
554160	COMPRESSOR	2520UKGC2BA		R
559011	FAN	5900AR1173A		R
359012	TURBO FAN	5900A20019A		R
W0CZZ	CAPACITOR	0CZZA20001N		R
W48602	CLAMP, SPRING	3H02932B		R

Replacement Parts List

LOCATION NO.	DESCRIPTION	PART NO.				REMARK
		LW1000PR	LW1000ER	LW1000ERY3 LB1000ER	LW1004ER	
130410	BASE ASSEMBLY,SINGLE	3041A20020L	3041A20020L	3041A20020L	3041A20020L	R
130910	CABINET ASSEMBLY,SINGLE	3091A10032C	3091A10032C	3091A10032C	3091A10032C	R
135312	GRILLE ASSEMBLY,FRONT(SINGLE)	3531A20098A	3531A20098A	3531A20098A	3531A20098A	R
135313	GRILLE,INLET	3530A20037A	3530A20037A	3530A20037A	3530A20037A	R
135500	COVER	3550A30114A	3550A30114A	3550A30114A	3550A30114A	R
147581	LOUVER,HORIZONTAL	4758A20018A	4758A20018A	4758A20018A	4758A20018A	R
147582-1	VERTICAL LOUVER	4758A20041A	4758A20041A	4758A20041A	4758A20041A	R
147582-2	VERTICAL LOUVER	4758A20041B	4758A20041B	4758A20041B	4758A20041B	R
148000	BRACE	4800A30002B	4800A30002B	4800A30002B	4800A30002B	R
149980	SHROUD	4998A10016A	4998A10016A	4998A10016A	4998A10016A	R
152302	FILTER ASSEMBLY,AIR CLEANER	5231A20007A	5231A20007A	5231A20007A	5231A20007A	R
152312	PLASMA FILTER ASS'Y	5983A10009K	-	-	-	R
237200	PANEL,CONTROL	3720A10109A	3720A10111A	3720A10111A	3720A10111A	R
249950	CONTROL BOX ASSEMBLY,SINGLE	4995A30010B	4995A20278D	4995A20278D	4995A30010L	R
268712	PWB(PCB) ASSEMBLY,MAIN(DC)	6871A20319A	6871A20324A	6871A20324A	6871A20324A	R
238310	ESCUTCHEON	3831A10020E	3831A10021A	3831A10021L	3831A10021L	R
268714	PWB(PCB) ASSEMBLY,MAIN(AC)	6871A20271A	6871A20167C	6871A20167C	6871A20167K	R
263230	THERMISTOR ASSEMBLY	6323A20004D	6323A20004D	6323A20004D	6323A20004D	R
264110	POWER CORD ASSEMBLY	6411A20011H	6411A20011H	6411A20011H	6411A20011H	R
267110	REMOTE CONTROLLER ASSEMBLY	6711A20052A	6711A20034G	6711A20034G	6711A20034G	R
346811	MOTOR ASSEMBLY,SINGLE	4681A20069Q	4681A20069Q	4681A20069Q	4681A20069Q	R
349001	DAMPER,VENTILATION	4900A20002A	4900A20002A	4900A20002A	4900A20002A	R
349480	ORIFICE	4948A10015A	4948A10015A	4948A10015A	4948A10015A	R
552111	TUBE ASSEMBLY,FORMED COND	5211A30275E	5211A30275E	5211AR3399X	5211AR3399X	R
352113	TUBE ASSEMBLY,DISCHARGE SINGLE	5211A10074E	5211A10074E	5211A10074E	5211A10074E	R
352115-1	TUBE ASSEMBLY,EVAPORATOR IN	5211A20215C	5211A20215C	5211A20215E	5211A20215E	R
352115-2	TUBE ASSEMBLY, EVAPORATOR IN	5211A20215D	5211A20215D	5211A20215F	5211A20215F	R
35211A	TUBE ASSEMBLY,SUCTION(OUTDOOR)	5211A20441B	5211A20441B	5211A20441B	5211A20441B	R
352390	AIR GUIDE ASSEMBLY	5239A20004A	5239A20004A	5239A20004A	5239A20004A	R
354210	EVAPORATOR ASSEMBLY,FIRST	5421A20108A	5421A20108A	5421A20108A	5421A20108A	R
567502	O.L.P	6750U-L031A	6750U-L031A	6750U-L031A	6750U-L031A	R
550140	ISOLATOR,COMP	4830AR4335A	4830AR4335A	4830AR4335A	4830AR4335A	R
554030	CONDENSER ASSEMBLY,FIRST	5403AR2921H	5403AR2921H	5403AR2921H	5403AR2921H	R
554160	COMPRESSOR SET	2520UKAC2CA	2520UKAC2CA	2520UKAC2CA	2520UKAC2CA	R
559011	FAN,AXIAL	5900A10009B	5900A10009B	5900A10009B	5900A10009B	R
359012	FAN,TURBO	5900A20019C	5900A20019C	5900A20019C	5900A20019C	R
W0CZZ	CAPACITOR,DRAWING	0CZZA20001M	0CZZA20001M	0CZZA20001M	0CZZA20001M	R
W48602	CLAMP,SPRING	3H02932B	3H02932B	3H02932B	3H02932B	R

LOCATION NO.	DESCRIPTION	PART NO.			REMARK
		LWL1210WAL	LWL1230WAL	WM-1231	
130410	BASE ASSEMBLY, SINGLE	3041A20020J		-	R
130910	CABINET ASSEMBLY,SINGLE	3091A10032K		3091A10032M	R
135303	GRILLE,INLET	3530A20037A			R
135312	GRILLE ASSEMBLY,FRONT(SINGLE)	3531A20098B		3531A20098A	R
147581	LOUVER,HORIZONTAL	4758A20018A		4758A20018A	R
147582-1	LOUVER,VERTICAL	4758A20041A			R
147582-2	LOUVER, VERTICAL	4758A20041B			R
148000	BRACE	4800A30002B			R
249950	CONTROL BOX ASSEMBLY,SINGLE	4995A20194Q	4995A20194S	4995A20278C	R
135500	COVER	3550A30114A		-	R
237200	CONTROL PANEL	3720A10061A		-	R
268712	PWB(PCB)ASSEMBLY, MAIN(DC)	6871A20168C		-	R
238310	ESCUTCHEON	3831A20029A		-	R
268714	PWB(PCB)ASSEMBLY, MAIN(AC)	6871A20167A	6871A20167B	-	R
263230	THERMISTOR ASSEMBLY	6323A20004D		-	R
264110	POWER CORD ASSEMBLY	6871A20011H	6411A20011Q	-	R
152302	FILTER ASSEMBLY,AIR CLEANER	5231A20007A			R
159830	AIR CLEANER ASSEMBLY	5983A10009H		-	R
267110	REMOTE CONTROLLER ASSEMBLY	6711A20052D		6711A20034G	R
346811	MOTOR ASSEMBLY,SINGLE	4681A20027W	4681A20069E	4681A20069J	R
349001	DAMPER,VENTILATION	4900A20002A			R
349480	ORIFICE	4948A10015A			R
352113	TUBE ASSEMBLY,DISCHARGE SINGLE	5211AR2930Q	5211AR2930V	5211A10074K	R
352115	TUBE ASSEMBLY,EVAPORATOR IN	5211A20388B		5211A20559N	R
35211A	TUBE ASSEMBLY,SUCTION SINGLE	5211A20228E	5211A20228L	5211A20441F	R
352390	AIR GUIDE ASSEMBLY	5239A20004A			R
354210	EVAPORATOR ASSEMBLY,FIRST	5421A20099B		5421A20130A	R
359012	FAN,TURBO	5900A20019A		5900A20019C	R
149980	SHROUD	4998A10011A		4998A10016A	R
550140	ISOLATOR,COMP	4830AR4335A			R
552111	TUBE ASSEMBLY,CAPILLARY	5211AR3332W		5210A20400J	R
554031	CONDENSER ASSEMBLY,BENT	5403A20042H		5403AR2921H	R
554160	COMPRESSOR SET	2520UKGC2BA	2520UKQK2BA	2520UKFC2AA	R
559010	FAN ASSY,AXIAL	5900AR1173A		5900A10009B	R
567502	O.L.P	6750U-L029A	6750U-L039A	6750U-L029A	R
130410	BASE ASSEMBLY,SINGLE	3041A20020J		3041A20020L	R
W48602	CLAMP,SPRING	3H02932B			R

Replacement Parts List

LOCATION NO.	DESCRIPTION	PART NO.			REMARK
		LB1200ER	LW100CS	LW120CS	
130410	BASE ASSEMBLY,SINGLE	3041A20020J	3041A20020L	3041A20020J	R
130910	CABINET ASSEMBLY,SINGLE	3091A10032C	3091A10032C	3091A10032C	R
135312	GRILLE ASSEMBLY,FRONT(SINGLE)	3531A20098A	3531A20098E	3531A20098A	R
135313	GRILLE,INLET	3530A20037A	3530A20037A	3530A20037A	R
135500	COVER	3550A30114A	3550A30114A	3550A30114A	R
147581	LOUVER,HORIZONTAL	4758A20018A	4758A20018A	4758A20018A	R
147582-1	LOUVER,VERTICAL	4758A20041A	4758A20041A	4758A20041A	R
147582-2	LOUVER, VERTICAL	4758A20041B	4758A20041B	4758A20041B	R
148000	BRACE	4800A30002B	4800A30002B	4800A30002B	R
149980	SHROUD ASSEMBLY	4999A20001A	4998A10016A	4999A20001A	R
152302	AIR FILTER ASSEMBLY	-	-	-	R
152312	PLASMA FILTER ASS'Y	5231A20007A	5231A20007A	5231A20007A	R
237200	CONTROL PANEL	3720A10111A	3720A10109A	3720A10111A	R
249950	CONTROL BOX ASS'Y	4995A20278E	4995A30010N	4995A20278E	R
268712	DISPLAY PCB ASSEMBLY	6871A20324A	6871A20319D	6871A20319D	R
238310	ESCUTCHEON	3831A10021L	3831A10020L	3831A10021L	R
268714	MAIN PCB ASSEMBLY	6871A20167C	6871A20167K	6871A20167C	R
263230	THERMISTOR ASSEMBLY	6323A20004D	6323A20004D	6323A20004D	R
264110	POWER CORD ASSEMBLY	6411A20011H	6411A20011H	6411A20011H	R
267110	REMOTE CONTROLLER ASSEMBLY	6711A20034G	6711A20052L	6711A20034G	R
346811	MOTOR ASSEMBLY,SINGLE	4681A20069J	4681A20069Q	4681A20069J	R
349001	DAMPER,VENTILATION	4900A20002A	4900A20002A	4900A20002A	R
349480	ORIFICE	4948A10015A	4948A10015A	4948A10015A	R
552111	TUBE ASSEMBLY,CAPILLARY	5211AR3332W	5211AR30275E	5211AR3332W	R
352113	TUBE ASSEMBLY,DISCHARGE SINGLE	5211AR2930Q	5211A10074E	5211AR2930Q	R
352115-1	TUBE ASSEMBLY,EVAPORATOR IN	5211A20388B	5211A20215C	5211A20388B	R
352115-2	TUBE ASSEMBLY, EVAPORATOR IN	-	5211A20215D	-	R
35211A	TUBE ASSEMBLY,SUCTION SINGLE	5211A20228E	5211A20441B	5211A20228E	R
352390	AIR GUIDE ASSEMBLY	5239A20004A	5239A20004A	5239A20004A	R
354210	EVAPORATOR ASSEMBLY,FIRST	5421A20099A	5421A20108B	5421A20099A	R
567502	O.L.P	6750U-L029A	6750U-L031A	6750U-L029A	R
550140	ISOLATOR,COMP	4830AR4335A	4830AR4335A	4830AR4335A	R
554030	CONDENSER ASSEMBLY,BENT	5403A20042D	5403AR2921H	5403A20042D	R
554160	COMPRESSOR SET	2520UKGC2BA	2520UKAC2CA	2520UKGC2BA	R
559011	FAN	5900A10009B	5900A10009B	5900A10009B	R
359012	FAN,TURBO	5900A20019C	5900A20019C	5900A20019C	R
W0CZZ	CAPACITOR,DRAWING	0CZZA20001N	0CZZA20001M	0CZZA20001N	R
W48602	CLAMP,SPRING	3H02932B	3H02932B	3H02932B	R

LOCATION NO.	DESCRIPTION	PART NO.			REMARK
		LW1000PRY3	LW1200PRY3	LW1200ERY3	
130410	BASE ASSEMBLY,SINGLE	3041A20020L	3041A20020J	3041A20020J	
130910	CABINET ASSEMBLY,SINGLE	3091A10032C	3091A10032C	3091A10032C	
135312	GRILLE ASSEMBLY,FRONT(SINGLE)	3531A20098A	3531A20098A	3531A20098A	
135313	GRILLE,INLET	3530A20037A	3530A20037A	3530A20037A	
135500	COVER	3550A30114A	3550A30114A	3550A30114A	
147581	LOUVER,HORIZONTAL	4758A20018A	4758A20018A	4758A20018A	
147582	LOUVER,VERTICAL	4758A20041A	4758A20041A	4758A20041A	
147582	LOUVER,VERTICAL	4758A20041B	4758A20041B	4758A20041B	
148000	BRACE	4800A30002B	4800A30002B	4800A30002B	
149980	SHROUD	4998A10016A	4998A10011A	4998A10011A	
152302	FILTER ASSEMBLY,AIR CLEANER	5231A20007A	5231A20007A	5231A20007A	
159830	AIR CLEANER ASSEMBLY	5983A10009K	5983A10009K	-	
237200	PANEL,CONTROL	3720A10109A	3720A10109A	3720A10111A	
238310	ESCUTCHEON	3831A10020E	3831A10020E	3831A10021L	
249950	CONTROL BOX ASSEMBLY,SINGLE	4995A30010B	4995A30010C	4995A20278E	
263230	THERMISTOR ASSEMBLY	6323A20004D	6323A20004D	6323A20004D	
264110	POWER CORD ASSEMBLY	6411A20011H	6411A20011H	6411A20011H	
267110	REMOTE CONTROLLER ASSEMBLY	6711A20052A	6711A20052A	6711A20034G	
268712	PWB(PCB) ASSEMBLY,DISPLAY	6871A20319A	6871A20319A	6871A20324A	
268714	PWB(PCB) ASSEMBLY,MAIN(AC)	6871A20271A	6871A20271A	6871A20167C	
346811	MOTOR ASSEMBLY,SINGLE	4681A20069Q	4681A20069J	4681A20069J	
349001	DAMPER,VENTILATION	4900A20002A	4900A20002A	4900A20002A	
349480	ORIFICE	4948A10015A	4948A10015A	4948A10015A	
352111	TUBE ASSEMBLY,CAPILLARY	5211A30275E	5211AR3332W	5211AR3332W	
352113	TUBE ASSEMBLY,DISCHARGE SINGLE	5211A10074E	5211AR2930Q	5211AR2930Q	
352115	TUBE ASSEMBLY,EVAPORATOR IN	5211A20215C	5211A20388B	5211A20388B	
352115	TUBE ASSEMBLY,EVAPORATOR IN	5211A20215D	-	-	
35211A	TUBE ASSEMBLY,SUCTION SINGLE	5211A20441B	5211A20228E	5211A20228E	
352390	AIR GUIDE ASSEMBLY	5239A20004A	5239A20004A	5239A20004A	
354210	EVAPORATOR ASSEMBLY,FIRST	5421A20108A	5421A20099A	5421A20099A	
359012	FAN,TURBO	5900A20019C	5900A20019C	5900A20019C	
550140	ISOLATOR,COMP	4830AR4335A	4830AR4335A	4830AR4335A	
554031	CONDENSER ASSEMBLY,BENT	5403AR2921H	5403A20042D	5403A20042D	
554160	COMPRESSOR SET,CHINA	2520UKAC2CA	2520UCDK005	2520UKGC2BA	
559010	FAN,AXIAL	5900A10009B	5900A10009B	5900A10009B	
567502	O.L.P	6750U-L031A	6750U-L029A	6750U-L029A	
738290	MANUAL,OWNERS	3828A20310D	3828A20310D	3828A20310D	
W0CZZ	CAPACITOR,DRAWING	0CZZA20001M	0CZZA20001N	0CZZA20001N	
W48602	CLAMP,SPRING	3H02932B	3H02932B	3H02932B	

