

This Owner's Manual is provided and hosted by [Appliance Factory Parts](#).



LG LW-C1230XL Owner's Manual

[Shop genuine replacement parts for LG LW-C1230XL](#)



[Find Your LG Air Conditioner Parts - Select From 2328 Models](#)

----- Manual continues below -----

GoldStar

Website: <http://www.LGService.com>

E-mail: <http://www.LGService.com/techsup.html>

Room Air Conditioner

OWNER'S MANUAL

Please read the operating instructions and safety precautions carefully and thoroughly before installing and operating your room air conditioner.

MODEL : LW-C1230XL



TABLE OF CONTENTS

FEATURES2

OPERATING3

 FUNCTION3

 VENTILATION4

 TO CONTROL AIR DIRECTION4

 HOW TO SECURE THE DRAIN PIPE5

 AIR FILTER CLEANING5

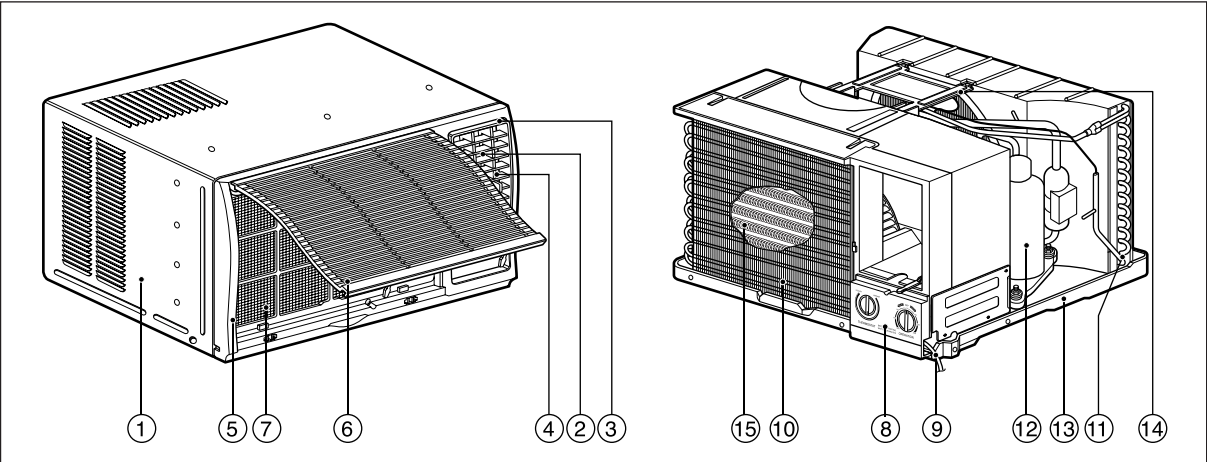
ELECTRICAL DATA6

BEFORE CALLING FOR SERVICE6

INSTALLATION INSTRUCTIONS7

IMPORTANT SAFETY INSTRUCTIONS11

FEATURES



- | | |
|--|---------------------|
| 1. CABINET | 7. AIR FILTER |
| 2. HORIZONTAL AIR DEFLECTOR
(VERTICAL LOUVER) | 8. CONTROL BOARD |
| 3. VERTICAL AIR DEFLECTOR
(HORIZONTAL LOUVER) | 9. POWER CORD |
| 4. AIR DISCHARGE | 10. EVAPORATOR |
| 5. FRONT GRILLE | 11. CONDENSER |
| 6. AIR INTAKE
(INLET GRILLE) | 12. COMPRESSOR |
| | 13. BASE PAN |
| | 14. BRACE |
| | 15. ELECTRIC HEATER |

OPERATING

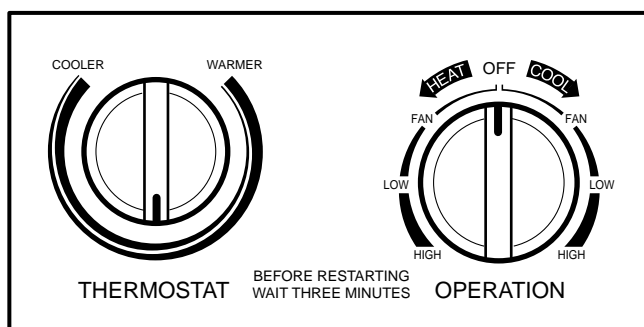
• WARNING

To reduce the risk of fire, electric shock, or injury to persons, read the IMPORTANT SAFETY INSTRUCTIONS before operating this appliance.

• CAUTION

When the air conditioner has been performing its cooling operation and is turned off or set to the fan position, wait at least 3 minutes before resetting to the cooling operation again.

FUNCTION



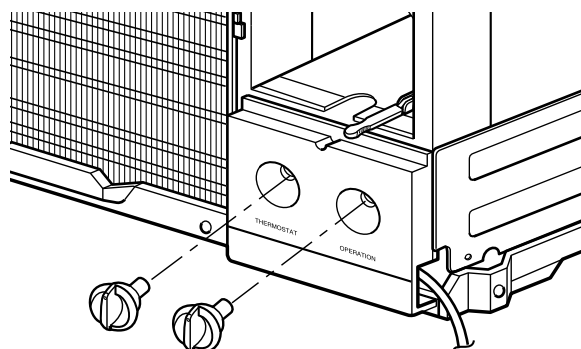
• THERMOSTAT

Turn the thermostat control to the desired setting. The central position is a normal setting for average conditions. You can change this setting, if necessary, in accordance with your temperature preference.

The thermostat automatically controls cooling or heating, but the fan runs continuously whenever the air conditioner is in operation. If the room is too warm, turn the thermostat control clockwise. If the room is too cool, turn the thermostat control anti-clockwise.

• OPERATION

- O (OFF) : Turns the air conditioner off.
- LOW FAN : Permits the low fan speed operation without cooling (heating).
- LOW COOL : Permits cooling with the low fan speed operation.
- HIGH COOL : Permits cooling with the high fan speed operation.
- LOW HEAT : Permits heating with the low fan speed operation.
- HIGH HEAT : Permits heating with the high fan speed operation.



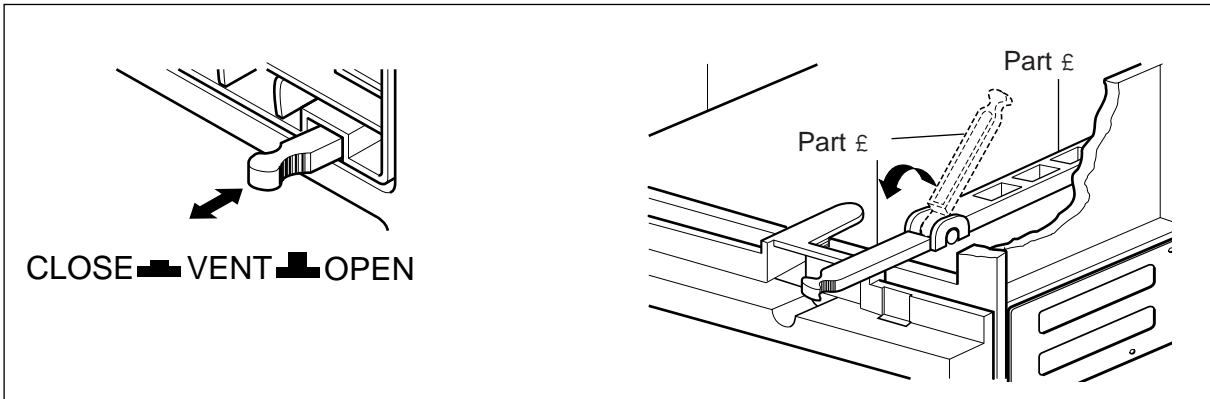
• NOTICE

After installing the room air conditioner, please assemble the knob located in the accessory bag, if it is not fixed on the product.

A slight heat odor may come from the unit when first switching to HEAT after the cooling season is over. This odor, caused by fine dust particles on the heater, will disappear quickly.

VENTILATION

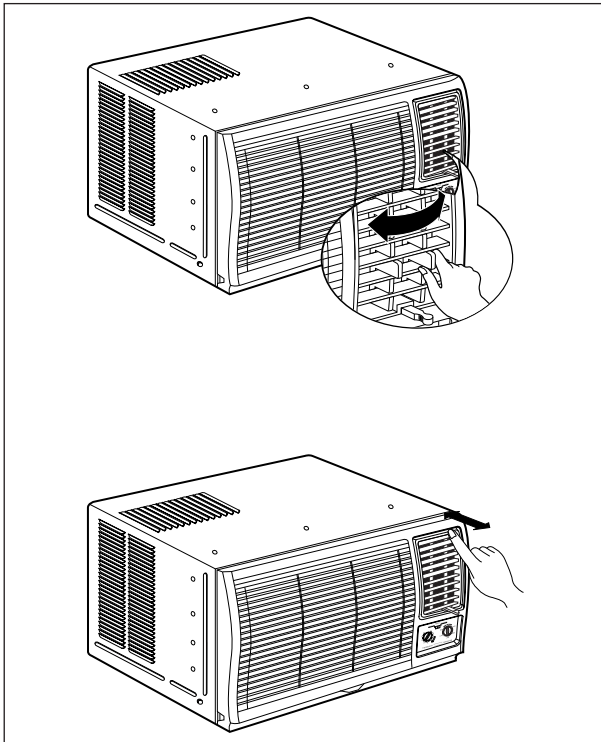
The ventilation lever must be in the CLOSE position in order to maintain the best cooling conditions. When fresh air is necessary in the room, set the ventilation lever to the OPEN position. The damper is opened and room air is exhausted.



NOTE: Before using the ventilation feature, make a ventilation kit. First, pull down part ϵ to horizontal line with part ϵ .

TO CONTROL AIR DIRECTION

The direction of air can be controlled wherever you want to cool by adjusting the horizontal louver and the vertical louver.



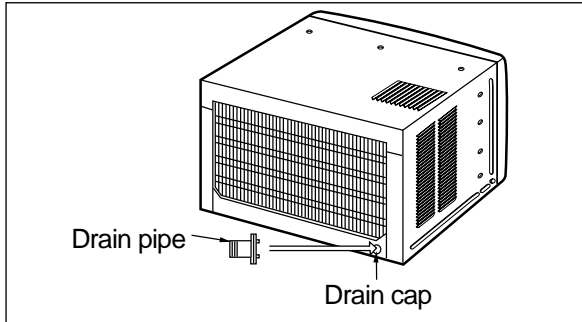
- **HORIZONTAL AIR-DIRECTION CONTROL**

The horizontal air direction is adjusted by turning the vertical louver right or left, as shown

- **VERTICAL AIR-DIRECTION CONTROL**

The vertical air direction is adjusted by rotating the horizontal louver forward or backward, as shown

HOW TO SECURE THE DRAIN PIPE

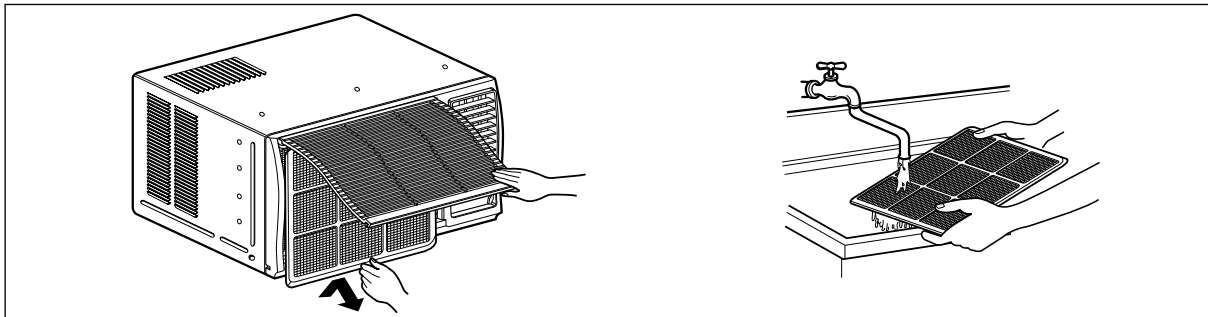


In humid weather, excess water may cause the BASE PAN to overflow. To drain the water, remove the DRAIN CAP and secure the DRAIN PIPE to the rear hole of the BASE PAN.

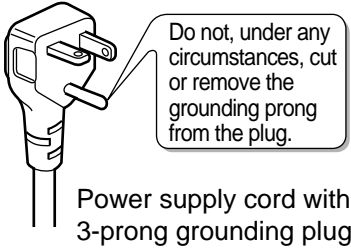
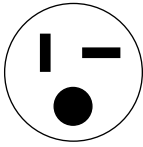
AIR FILTER CLEANING

The air filter should be checked at least twice a month to see if cleaning is necessary. Trapped particles in the filter will build up and block the airflow. This reduces the cooling capacity and also causes an accumulation of frost on the cooling coils.

1. Open the inlet grille upward by pulling out the bottom of the inlet grille.
2. Remove the air filter from the front grille assembly by pulling the air filter up slightly.
3. Wash the filter using lukewarm water below 40°C (104°F).
4. Gently shake the excess water from the filter completely. Replace the filter.



ELECTRICAL DATA

Line Cord Plug	Use Wall Receptacle	Power Supply
 <p>Do not, under any circumstances, cut or remove the grounding prong from the plug.</p> <p>Power supply cord with 3-prong grounding plug</p>	 <p>Standard 250V, 3-wire grounding receptacle rated 20A, 250V AC</p>	<p>Use 20 AMP time delay fuse or circuit breaker.</p>

BEFORE CALLING FOR SERVICE

• **Air Conditioner will not operate.**

1. Is the air conditioner plugged into the outlet?
2. Is the fuse or breaker good?
3. Is the voltage unusually high or low?

• **Air from the unit does not feel cold enough on the cooling setting.**

1. Is the setting temperature correct?
2. Is the air filter clogged with dust?
3. Is the air flow from the outside(condensers) obstructed?
Leave a clearance of over 1 meter(3¹/₄ feet) between the back of the air conditioner and the wall or fence behind it.
4. Are the door or windows open, or is there any source of heat in the room?

NOTE: If it is difficult to find out the cause of the trouble, be sure to turn the air conditioner off and contact the dealer.

• **OFF-SEASON MAINTENANCE**

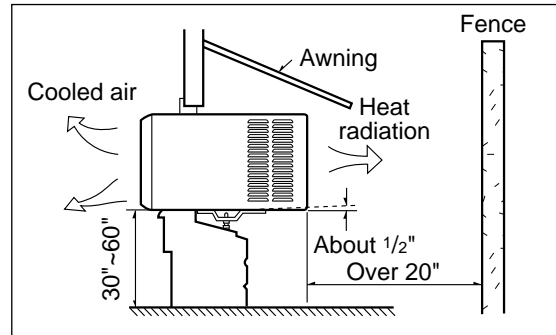
1. Clean the air filter and re-install.
2. Turn the operation knob to OFF and disconnect the power plug from the wall receptacle.

INSTALLATION INSTRUCTIONS

SELECT THE BEST LOCATION

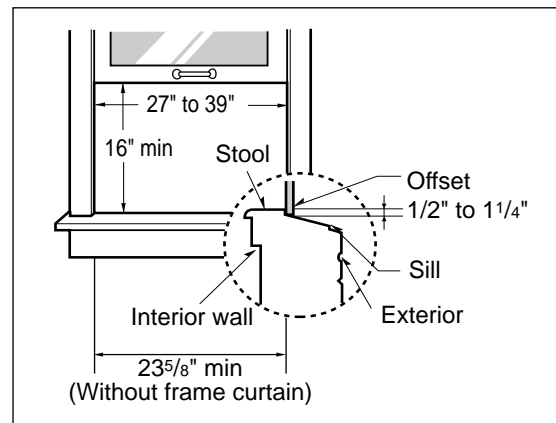
1. To prevent vibration and noise, make sure the unit is installed securely and firmly
2. Install the unit where the sunlight does not shine directly on the unit.
3. The outside of the cabinet must extend outward for at least 12" and there should be no obstacles, such as a fence or wall, within 20" from the back of the cabinet because it will prevent heat radiation of the condenser. Restriction of outside air will greatly reduce the cooling efficiency of the air conditioner.
CAUTION: All side louvers of the cabinet must remain exposed to the outside of the structure.

2. Install the unit a little slanted so the back is slightly lower than the front (about 1/2"). This will help force condensed water to flow to the outside.
3. Install the unit from the bottom about 30"~60" above the floor level.

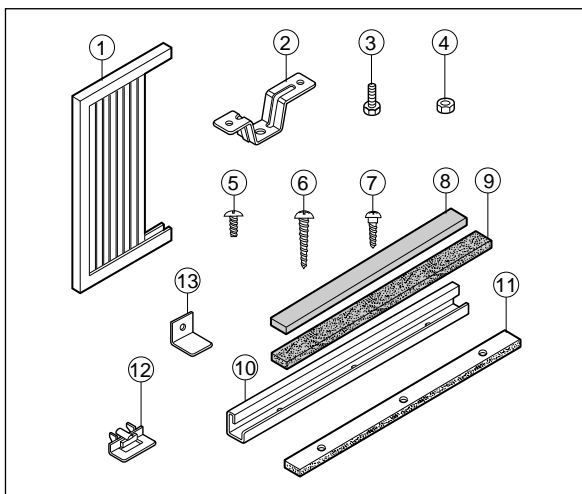


WINDOW REQUIREMENTS

1. This unit is designed for installation in standard double hung windows with actual opening widths from 27" to 39". The top and bottom window sash must open sufficiently to allow a clear vertical opening of 16" from the bottom of the upper sash to the window stool.



INSTALLATION KITS CONTENTS



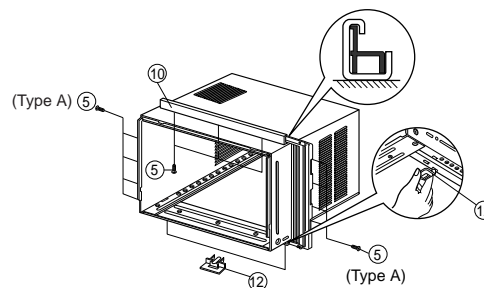
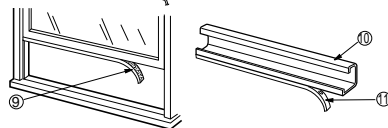
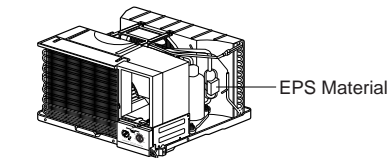
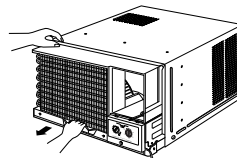
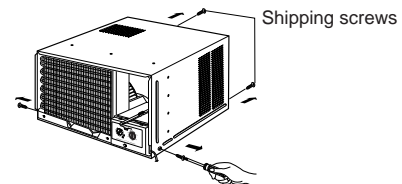
NO.	NAME OF PARTS	Q'TY
1	FRAME CURTAIN	2
2	SILL SUPPORT	2
3	BOLT	2
4	NUT	2
5	SCREW (TYPE A)	16
6	SCREW (TYPE B)	3
7	SCREW (TYPE C)	5
8	FOAM-STRIP	1
9	FOAM-PE	1
10	UPPER GUIDE	1
11	FOAM-PE	1
12	FRAME GUIDE	2
13	WINDOW LOCKING BRACKET	1

SUGGESTED TOOL REQUIREMENTS

SCREWDRIVER(+, -), RULER, KNIFE, HAMMER, PENCIL, LEVEL

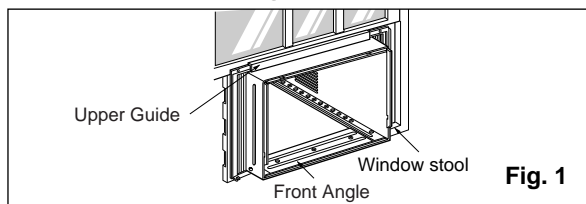
PREPARATION OF CHASSIS

1. Remove the screws which fasten the cabinet at both sides and at the back.
2. Slide the unit out from the cabinet by gripping the base pan handle and pulling forward while bracing the cabinet.
3. Remove EPS Material.
4. Cut the window sash seal to the proper length. Peel off the backing and attach the foam-pe □ to the underside of the window sash.
5. Remove the backing from the top upper guide Foam PE □ and attach it to the bottom of the upper guide □ .
6. Attach the upper guide onto the top of the cabinet with 3 type A screws.
7. Insert the frame guides □ into the bottom of the cabinet.
8. Insert the Frame Curtain □ into the upper guide □ and frame guides □ .
9. Fasten the curtains to the unit with 4 Type A screws at both sides.



CABINET INSTALLATION

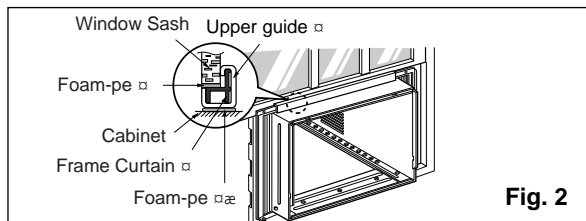
1. Open the window. Mark a line on center of the window stool(or desired air conditioner location). Carefully place the cabinet on the window stool and align the center mark on the bottom front with the center line marked in the window stool.



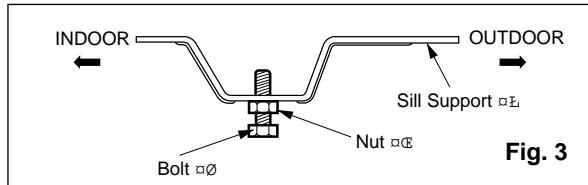
2. Pull the bottom window sash down behind the upper guide until it meets.

NOTE:

- Do not pull the window sash down so tightly that the movement of Frame Curtain is restricted.



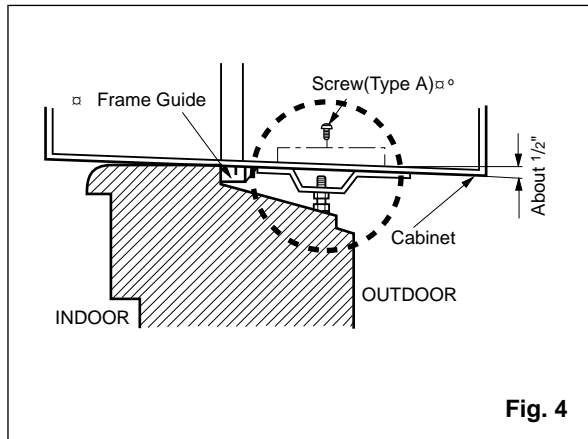
3. Loosely assemble the sill support using the parts in Fig. 3.



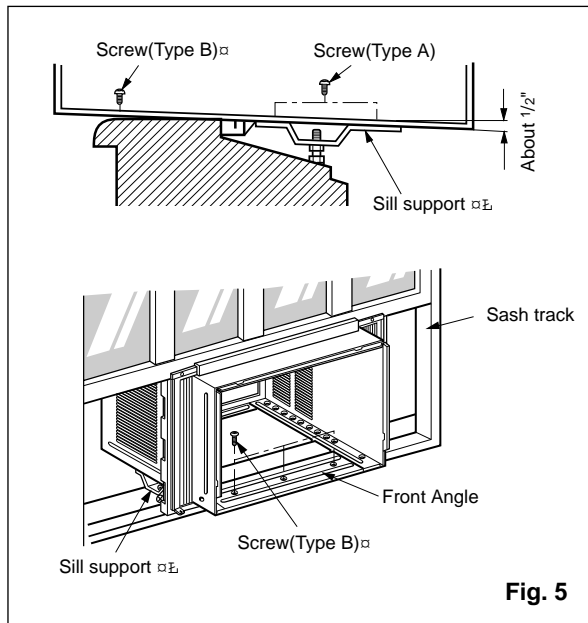
4. Select the position that will place the sill support near the outer most point on sill (See Fig. 4)

NOTE: Be careful when you install the cabinet (frame guides are broken easily).

5. Attach the sill support to the cabinet track hole in relation to the selected position using 2 Type A screws in each support (See Fig. 4).



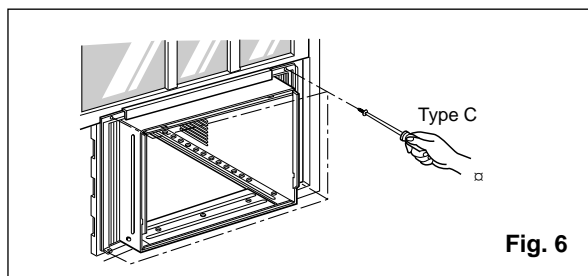
6. The cabinet should be installed with a very **slight tilt (about 1/2") downward** toward the outside (See Fig. 5). Adjust the bolt and the nut of sill support for balancing the cabinet.



7. Attach the cabinet to the window stool by driving the screws (Type B: Length 5/8" and below) through the front angle into window stool.

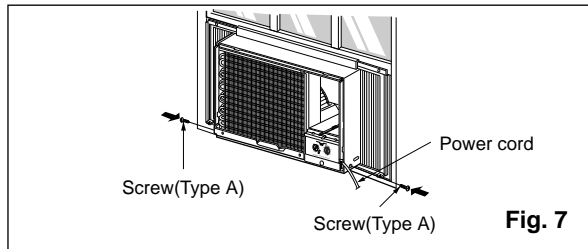
8. Pull each Frame curtain fully to each window sash track, and repeat step 2.

9. Attach each Frame curtain the window sash by using screws (Type C). (See Fig. 6)

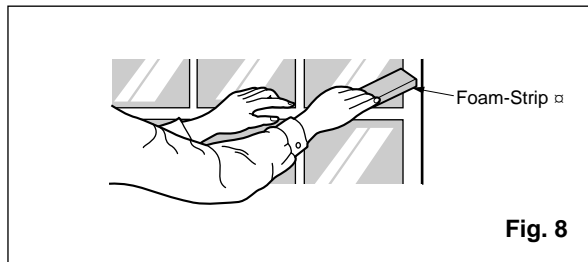


10. Slide the unit into the cabinet.(See Fig. 7)

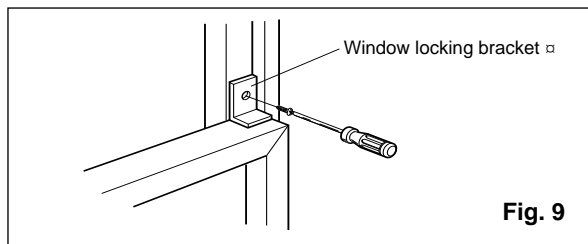
CAUTION: For security purpose, reinstall screws(Type A) at cabinet's sides.



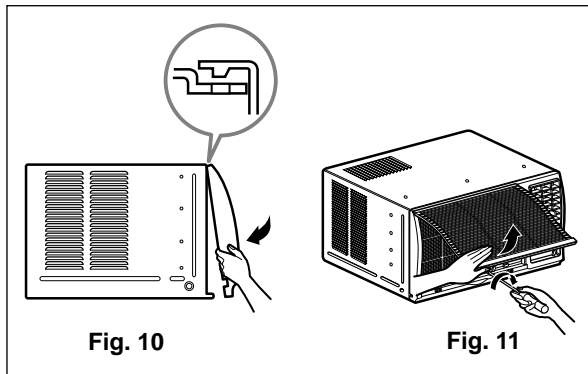
11. Cut the foam-strip □ to the proper length and insert between the upper window sash and the lower window sash. (See Fig. 8)



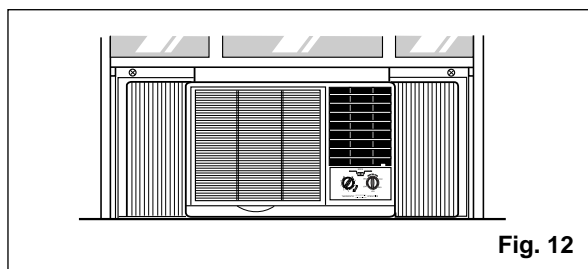
12. Attach the window locking bracket □ with a type C screw. (See Fig. 9)



13. Attach the front grille to the cabinet by inserting the tabs on the grille into the tabs on the front of the cabinet. Push the grille in until it snaps into place.(See Fig.10)



14. Lift the inlet grille and secure it with a type A screw through the front grille.(See Fig. 11)



IMPORTANT SAFETY INSTRUCTIONS

Read all instructions before using this air conditioner.

⚠ WARNING For Your Safety

Do not store or use gasoline or other flammable vapors and liquids in the vicinity of this or any other appliance. Read caution label for flammability and other warnings.

⚠ WARNING Prevent Accidents

To reduce the risk of fire, electrical shock, or injury to persons when using your air conditioner, follow basic precautions, including the following:

- Be sure the electrical service is adequate for the model you have chosen. This information can be found on the serial plate, which is located either behind the louvers or on the left side of the cabinet.
- If the air conditioner is to be installed in a window, you will probably want to clean both sides of the glass first. If the window is a triple-track type with a screen panel included, remove the screen completely before installation.
- Be sure the air conditioner has been securely and correctly installed according to the separate installation instructions provided with this manual. Save this manual and the installation instructions for possible future use in removing or reinstalling this unit.
- When handling the air conditioner, be careful to avoid cuts from sharp metal fins or front and rear coils.

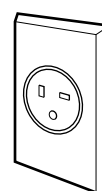
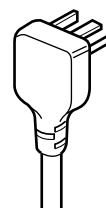
⚠ WARNING Electrical Information

The complete electrical rating of your new room air conditioner is stated on the quality label. Refer to the rating when checking the electrical requirements.

- Be sure the air conditioner is properly grounded. To minimize shock and fire hazards, proper grounding is important. The power cord is equipped with a three-prong grounding plug for protection against shock hazards.
- Your air conditioner **must** be used in a properly grounded wall receptacle. If the wall receptacle you intend to use is not adequately grounded or protected by a time delay fuse or circuit breaker, have a qualified electrician install the proper receptacle.
- Do not run air conditioner with outside protective cover in place. This could result in mechanical damage with in the air conditioner.
- **Do not use an extension cord or an adapter plug.**

⚠ WARNING Avoid fire hazard or electric shock. Do not use an extension cord or an adaptor plug. Do not remove any prong from the power cord.

PREFERRED METHOD



Ensure proper ground exists before use.

**GOLDSTAR AIR CONDITIONER
LIMITED WARRANTY**

LG Electronics U.S.A., Inc. will repair or at its option replace, without charge, your product which proves to be defective in material or workmanship under normal use, during the warranty period listed below from the date of original purchase. **This warranty is good only to the original purchaser of the product during the warranty period as long as it is in the U.S. including Alaska, Hawaii, and U.S. Territories.**

WARRANTY PERIOD:

MODEL #	LABOR	PARTS	HOW SERVICE IS HANDLED
LW-C1230XL	1 Year	1 Year	Call 1-800-243-0000, 24 hrs a day, 7 days per week.
		COMPRESSOR	Press the appropriate option, and please have your product type (AIR CONDITIONER), model number, serial number, and ZIP code ready.
		5 Years	All models are in-home service.

No other express warranty is applicable to this product. **THE DURATION OF ANY IMPLIED WARRANTIES, INCLUDING THE IMPLIED WARRANTY OF MERCHANTABILITY, IS LIMITED TO THE DURATION OF THE EXPRESS WARRANTY HEREIN. LG ELECTRONICS U.S.A., INC. SHALL NOT BE LIABLE FOR THE LOSS OF THE USE OF THE PRODUCT, INCONVENIENCE, LOSS OR ANY OTHER DAMAGES, DIRECT OR CONSEQUENTIAL, ARISING OUT OF THE USE OF, OR INABILITY TO USE, THIS PRODUCT OR FOR ANY BREACH OF ANY EXPRESS OR IMPLIED WARRANTY, INCLUDING THE IMPLIED WARRANTY OF MERCHANTABILITY APPLICABLE TO THIS PRODUCT.**

Some states do not allow the exclusion or limitation of incidental or consequential damages or limitations on how long an implied warranty lasts; so these limitations or exclusions may not apply to you. This warranty gives you specific legal rights and you may also have other rights which vary from state to state.

THE ABOVE WARRANTY DOES NOT APPLY:

- To damages or problems which result from delivery or improper installation.
- To damages or problems which result from misuse, abuse, accident, alteration, or incorrect electrical current or voltage.
- To service calls, which do not involve defective workmanship or material, such as explaining the operation of the unit.

Therefore, these costs are paid by the consumer.

CUSTOMER ASSISTANCE NUMBERS:

- | | | |
|--|---|--|
| To Prove Warranty Coverage: | ; | Retain your Sales Receipt to prove date of purchase. |
| | ; | Copy of your Sales Receipt must be submitted at the time warranty service is provided |
| To Obtain Product, Customer, or Service Assistance: | ; | Call 1-800-243-0000 (Mon.~Fri. 7AM~7PM CST)
Press the appropriate menu option. |
| To Obtain Nearest Authorized Service Center, Parts Distributor or Sales Dealer: | ; | Call 1-800-243-0000, 24 hrs a day, 7 days per week.
Press the appropriate option, and please have your product type (AIR CONDITIONER), model number, serial number, and ZIP code ready. |



LG Electronics Inc.