

PARTS LIST

for



THRU-THE-WALL

MODEL

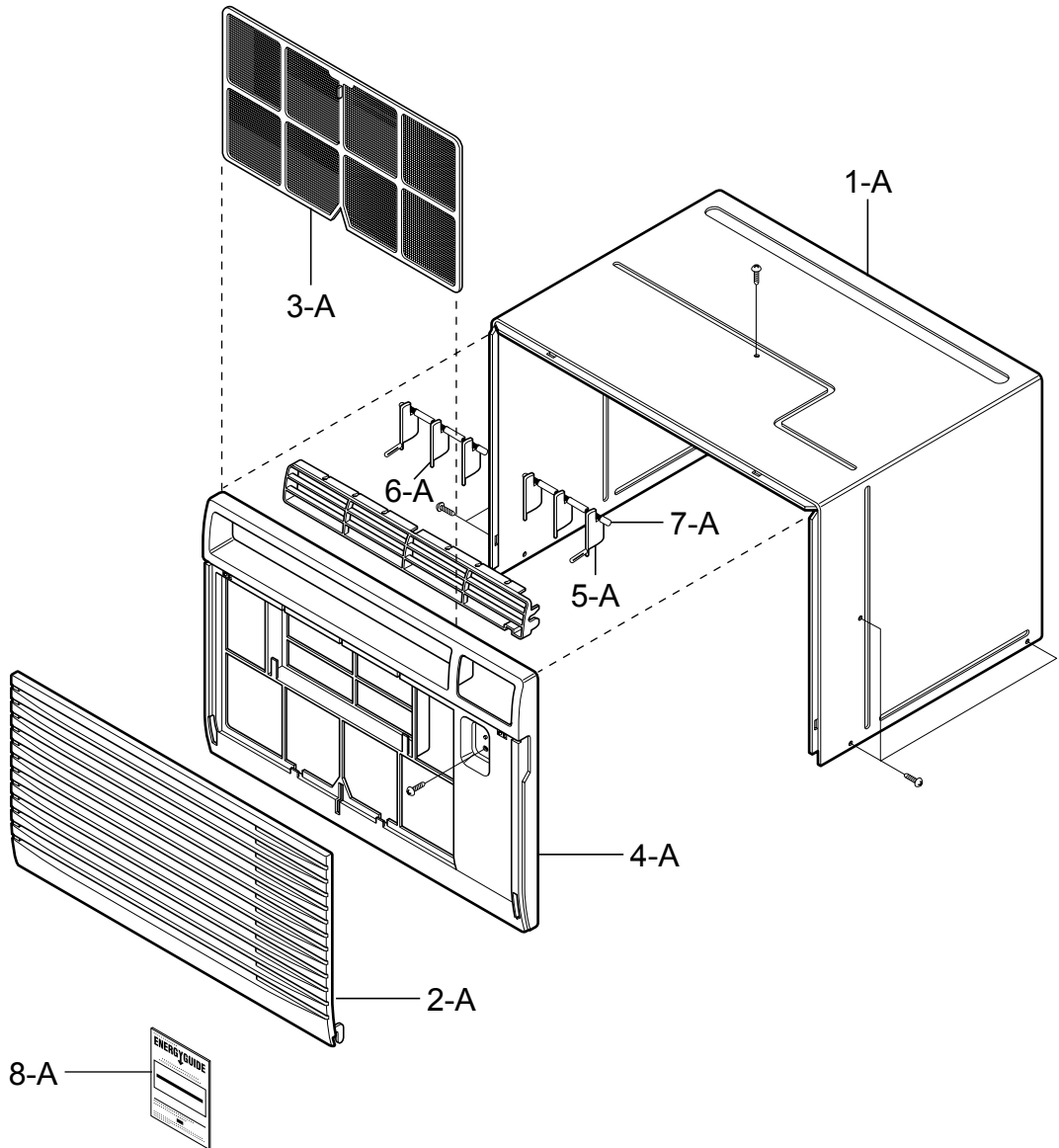
BD-123

**FOR CUSTOMER SATISFACTION ALWAYS USE
FACTORY SPECIFIED PARTS**

*Heat Controller, Inc.
1900 Wellworth Avenue
Jackson, MI 49203
517/787-2100*

REPAIR PARTS

CABINET & FRONT GRILLE ASSEMBLY



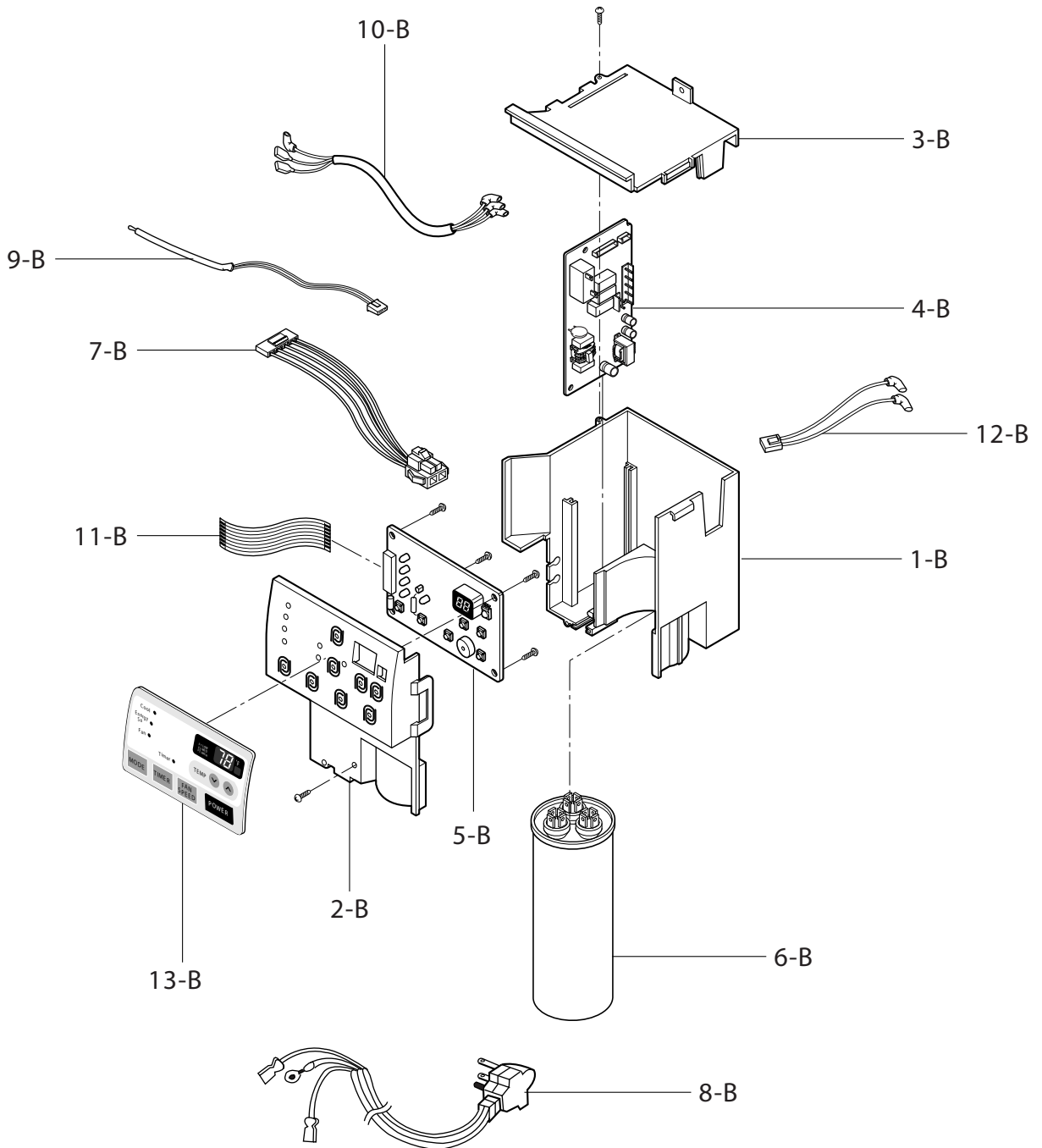
CABINET & FRONT GRILLE ASSEMBLY

ILLUSTRATION NUMBER	PART NUMBER	DESCRIPTION
1 - A	3090A20003B	CABINET ASSEMBLY
2 - A	3530A20054A	GRILLE, INLET
3 - A	5230A20007A	AIR FILTER ASSEMBLY
4 - A	3531A20055G	GRILLE, FRONT
5 - A	4758A20009A	VANE
6 - A	4758A20009B	VANE
7 - A	4520A20003A	LINK HOLDER
8 - A	3850A202025C	ENERGY GUIDE LABEL
*	3828A20436A	OWNER'S MANUAL

= Functional Parts

* = Non-illustrated Parts

CONTROL BOX ASSEMBLY



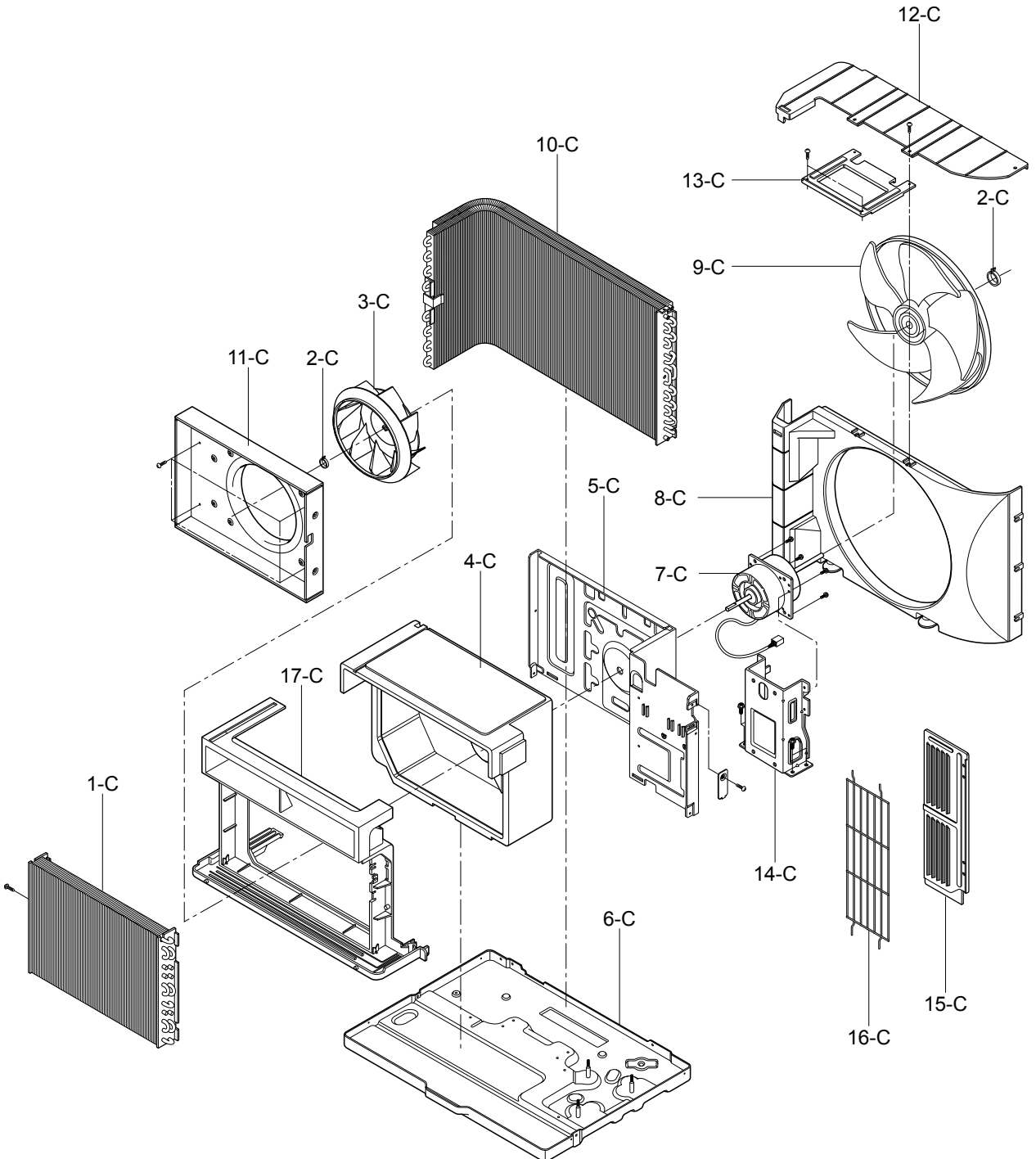
CONTROL BOX ASSEMBLY

ILLUSTRATION NUMBER	PART NUMBER	DESCRIPTION
1 - B	4995A10051A	CONTROL BOX
2 - B	3720A10128A	PANEL, CONTROL
3 - B	3551A20092A	COVER, CONTROL BOX
4 - B	6871A20343D	PWB ASSEMBLY, MAIN
5 - B	6871A20344C	PWB ASSEMBLY, DISPLAY
6 - B #	6120AR2194D	CAPACITOR
7 - B	6631A30012E	CONNECTOR ASSEMBLY
8 - B	6411A20028B	POWER CORD ASSEMBLY
9 - B #	6323A20004E	THERMISTOR ASSEMBLY
10 - B	6631A30027A	CONNECTOR ASSEMBLY
11 - B	6631A10005C	CONNECTOR ASSEMBLY
12 - B	6631A30003A	CONNECTOR ASSEMBLY
13 - B	3831A10044A	ESCUTCHEON

= Functional Parts

* = Non-illustrated Parts

AIR HANDLING & CYCLE PARTS

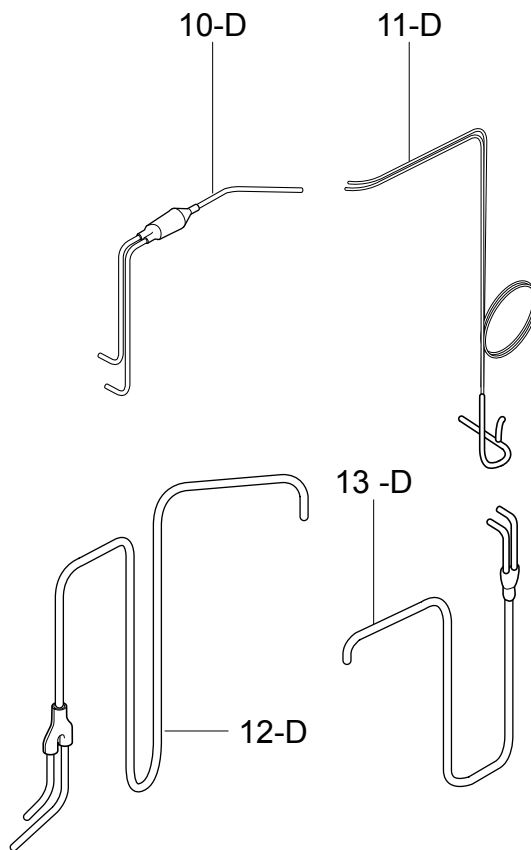
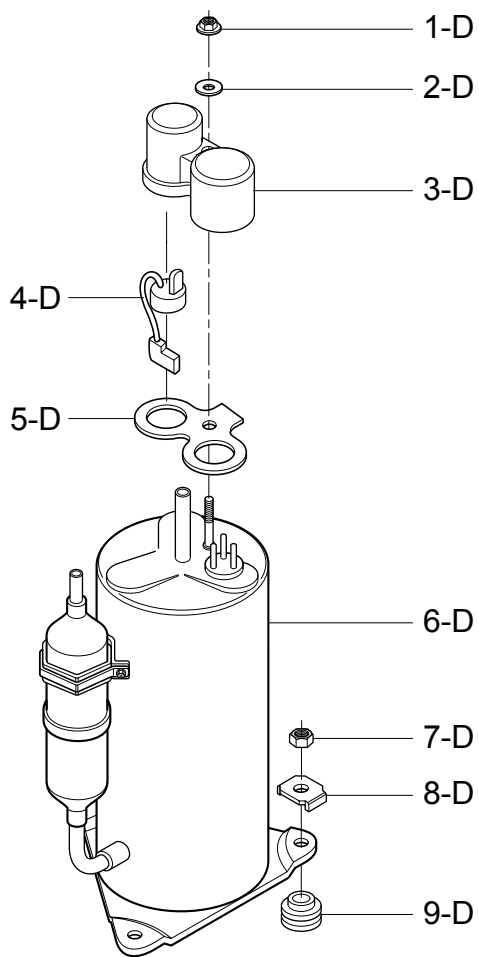


AIR HANDLING & CYCLE PARTS

ILLUSTRATION NUMBER	PART NUMBER	DESCRIPTION
1 - C #	5421A20060A	EVAPORATOR ASSEMBLY, FIRST
2 - C	3H02932B	CLAMP, SPRING
3 - C #	5900A20009A	FAN, TURBO
4 - C	3072A20003B	SCROLL
5 - C	4790A20024B	BARRIER SINGLE
6 - C	3041A10014T	BASE ASSEMBLY, SINGLE
7 - C #	4681A20041C	MOTOR ASSEMBLY, SINGLE
8 - C	4998A10007B	SHROUD
9 - C #	5900AR1173A	FAN, PROPELLER
10 - C #	5403A20040M	CONDENSER ASSEMBLY, BENT
11 - C	4948A10006A	ORIFICE
12 - C	3550A20030B	COVER, (SHROUD)
13 - C	4800A30002A	BRACE
14 - C	4960A20008A	MOUNT, MOTOR
15 - C	3530A30002A	GRILLE, REAR
16 - C	3530A30007A	GRILLE, REAR
17 - C	5238A20005A	AIR GUIDE

= Functional Parts

COMPRESSOR PARTS



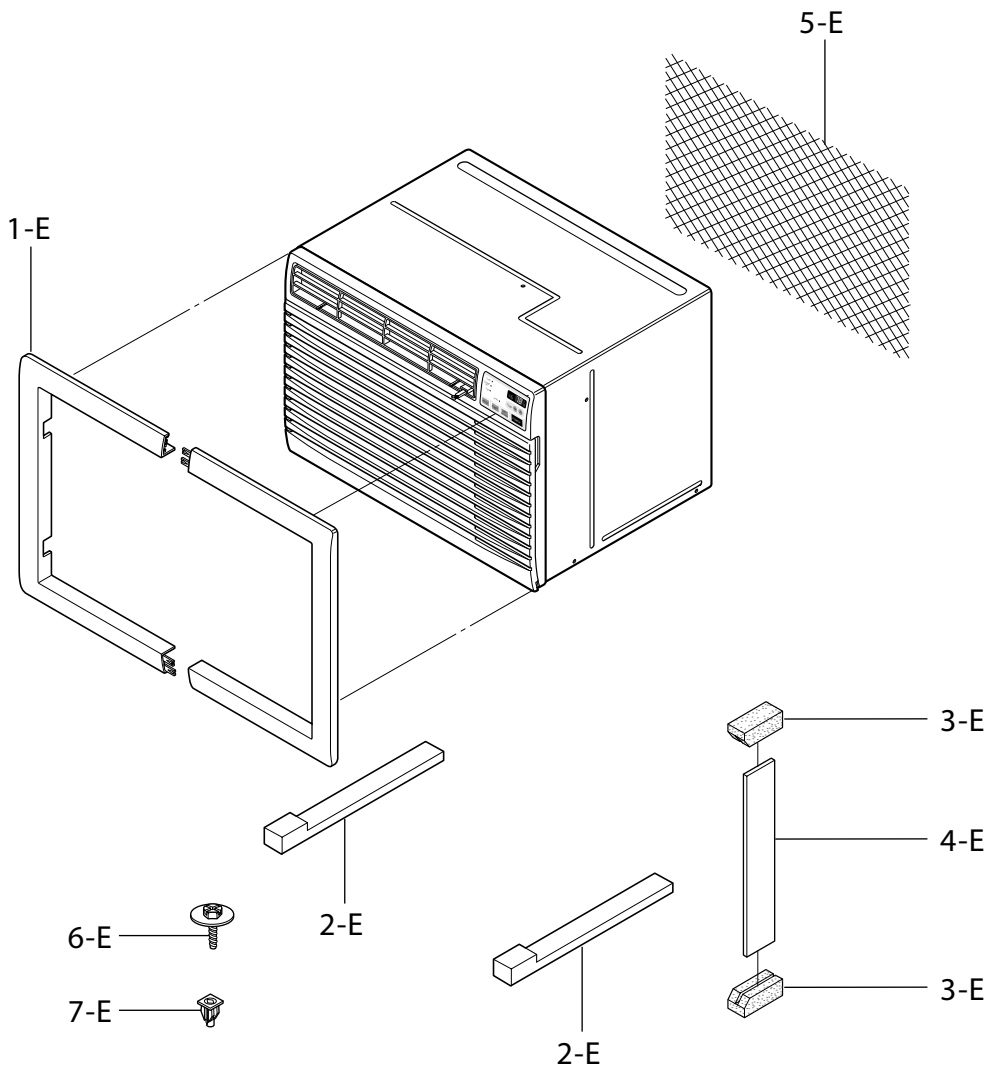
COMPRESSOR PARTS

ILLUSTRATION NUMBER	PART NUMBER	DESCRIPTION
1 - D	4H00947A	NUT, DRAWING
2 - D	4H01058A	GASKET NUT
3 - D	3550U-L004A	COVER
4 - D	# 6750U-L058A	OVER LOAD PROTECTOR
5 - D	4986U-L001G	GASKET
6 - D	# 2520UKHK2CA	COMPRESSOR
7 - D	1NHA0801206	HEXAGON NUTS
8 - D	4810AR4155B	BRACKET, COMP
9 - D	4H00982E	ISOLATOR, COMP
10 - D	5211A20904A/B	TUBE ASSEMBLY, EVAPORATOR
11 - D	5211A20214K	TUBE ASSEMBLY, CAPILLARY
12 - D	5211A20587A	TUBE ASSEMBLY, SUCTION
13 - D	5211A30588A	TUBE ASSEMBLY, DISCHARGE

= Functional Parts

* = Non-illustrated Parts

INSTALLATION KIT ASSEMBLY



INSTALLATION KIT ASSEMBLY

ILLUSTRATION NUMBER	PART NUMBER	DESCRIPTION
1 - E	4918A20001A	TRIM
2 - E	5410A20518C	INSULATION, ARTIRON
3 - E	5410A20069A	INSULATION, PE
4 - E	3858A20001A	SHEET (MESH), PP
5 - E	3530A20033B	GRILLE, REAR
6 - E	4001AR4160A	SCREW ASSEMBLY
7 - E	4974A30053A	GUIDE

= Functional Parts

* = Non-illustrated Parts