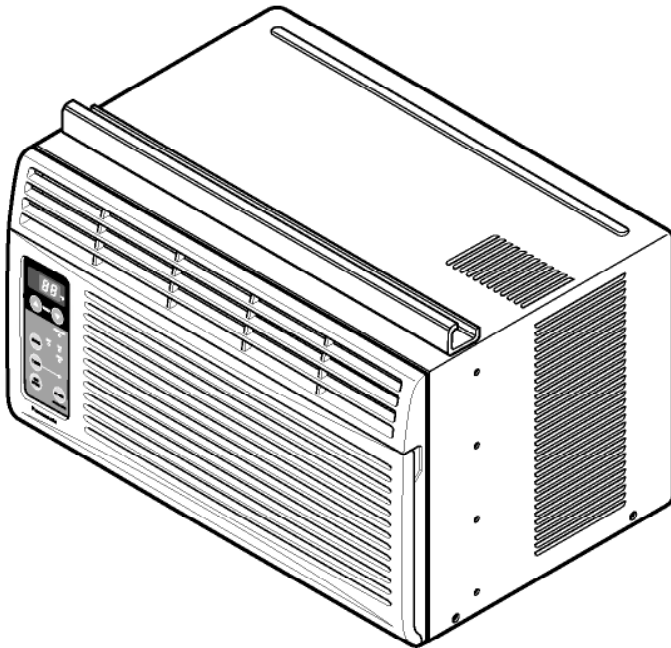


Service Manual

Room Air Conditioner

CW-XC54HK
CW-XC54HU



⚠ WARNING

This service information is designed for experienced repair technicians only and is not designed for use by the general public. It does not contain warnings or cautions to advise non-technical individuals of potential dangers in attempting to service a product. Products powered by electricity should be serviced or repaired only by experienced professional technicians. Any attempt to service or repair the product or products deal with in this service information by anyone else could result in serious injury or death.

Panasonic[®]

© 2003 Matsushita Electric Industrial co., Ltd.
All rights reserved. Unauthorized copying and distribution is violation of law.

CONTENTS

1. PREFACE

1.1 SAFETY PRECAUTIONS	3
1.2 INSULATION RESISTANCE TEST	3
1.3 SPECIFICATIONS	3
1.4 ABOUT THE CONTROLS ON THE AIR CONDITIONER	4

2. DISASSEMBLY INSTRUCTIONS

2.1 MECHANICAL PARTS	5
2.1.1 FRONT GRILLE	7
2.1.2 CABINET	7
2.1.3 CONTROL BOX	7
2.2 AIR HANDLING PARTS	8
2.2.1 AIR GUIDE UPPER	8
2.2.2 ORIFICE, TURBO FAN AND FAN	8
2.2.3 MOTOR	9
2.2.4 AIR GUIDE	9
2.3 ELECTRICAL PARTS	9
2.3.1 OVERLOAD PROTECTOR	9
2.3.2 COMPRESSOR	10
2.3.3 CAPACITOR	10
2.3.4 THERMISTOR.....	10
2.3.5 CONTROL PANEL	10
2.3.6 POWER CORD	11
2.4 REFRIGERANT CYCLE	11
2.4.1 CONDENSER	11
2.4.2 EVAPORATOR	12
2.4.3 CAPILLARY TUBE	12

3. INSTALLATION

3.1 SELECT THE BEST LOCATION	14
3.2 HOW TO INSTALL	14
3.3 ELECTRICAL DATA	17

4. TROUBLESHOOTING GUIDE

4.1 OUTSIDE DIMENSIONS.....	17
4.2 PIPING SYSTEM	18
4.3 TROUBLESHOOTING GUIDE	19

5. SCHEMATIC DIAGRAM

5.1 CIRCUIT DIAGRAM	28
5.2 ELECTRONIC CONTROL DEVICE	29
5.3 COMPONENTS LOCATION (FOR MAIN P.C.B ASSM)	30
5.4 COMPONENTS LOCATION (FOR DISPLAY P.C.B ASSM)	30

6. EXPLODED VIEW

7. SERVICE PARTS LIST

1. PREFACE

This service manual provides various service information, including the mechanical and electrical parts, etc. This room air conditioner was manufactured and assembled under a strict quality control system. The refrigerant is charged at the factory. Be sure to read the safety precautions prior to servicing the unit.

1.1 SAFETY PRECAUTIONS

1. When servicing, set the POWER of CONTROL BOX to Off and unplug the power cord.
2. Observe the original lead dress.
If a short circuit is found, replace all parts which have been overheated or damaged by the short circuit.
3. After servicing, make an insulation resistance test to prevent the customer's exposure to shock hazards.

1.2 INSULATION RESISTANCE TEST

1. Unplug the power cord and connect a jumper between 2 pins (black and white).
2. The grounding conductor (green or green and yellow) is to be open.
3. Measure the resistance value with an ohm meter between the jumpered lead and each exposed metallic part on the equipment.
4. The value should be over 1 MΩ.

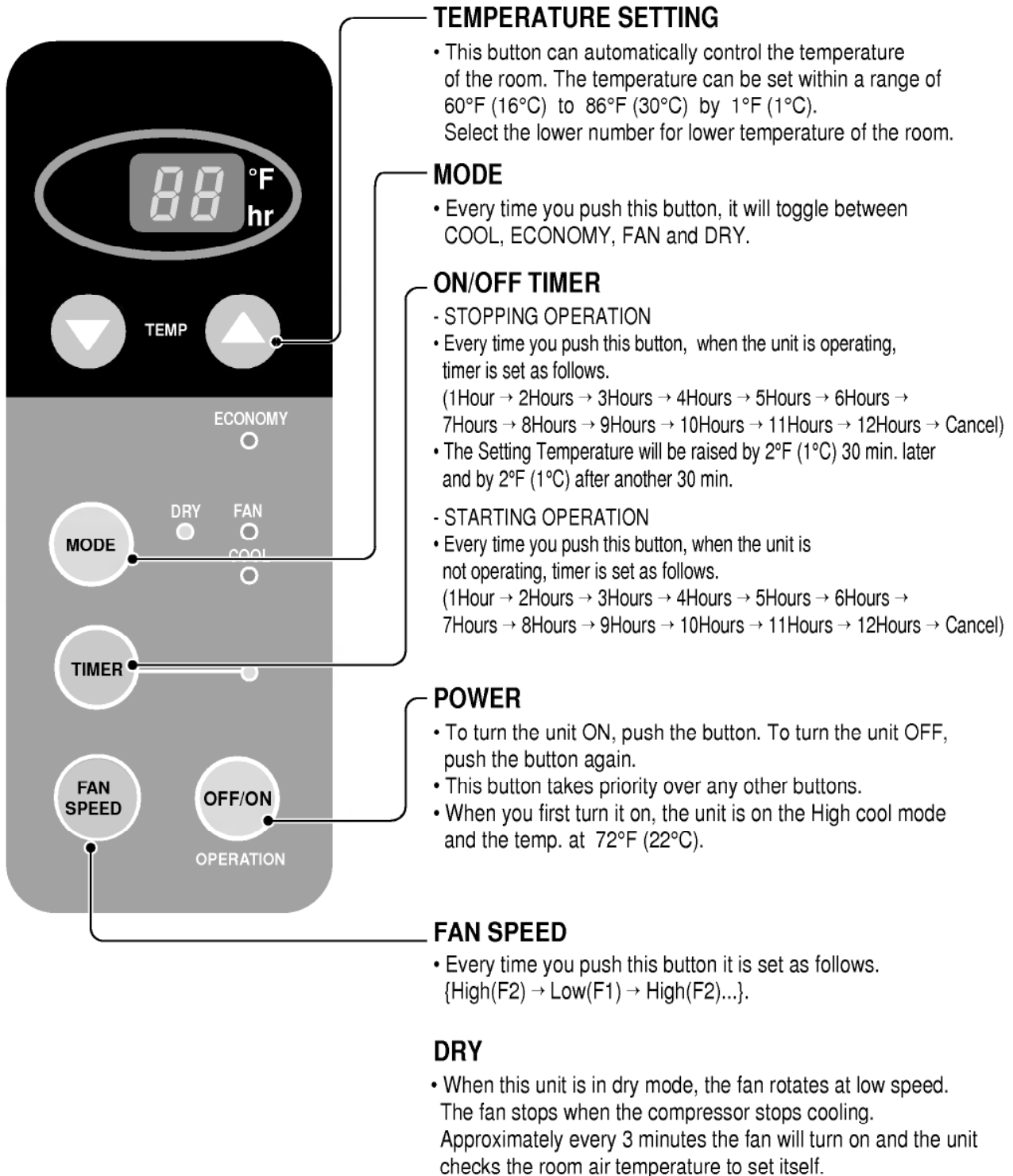
1.3 SPECIFICATIONS

ITEMS	MODELS	CW-XC54HK	CW-XC54HU
COOLING CAPACITY (BTU/h)		5,200	5,200
POWER SUPPLY (Phase, V, Hz)		1ø, 115V, 60Hz	
INPUT (W)		480	480
OPERATING CURRENT (AMP.)		4.4	4.4
REFRIGERANT CONTROL		CAPILLARY TUBE	
REFRIGERANT CHARGE (R-22)		330g(11.6 Oz)	330g(11.6 Oz)
INSIDE FAN		TURBO	
OUTSIDE FAN		PROPELLER FAN WITH SLINGER RING	
AIR DISCHARGE		2-WAY (RIGHT AND LEFT)	
CHASSIS		TOP-DOWN	
PROTECTOR		<ul style="list-style-type: none"> • OVERLOAD PROTECTOR FOR COMPRESSOR • INTERNAL PROTECTOR FOR FAN MOTOR 	
TEMPERATURE CONTROL		THERMISTOR	
FAN MOTOR		6 POLES, 19.9W	

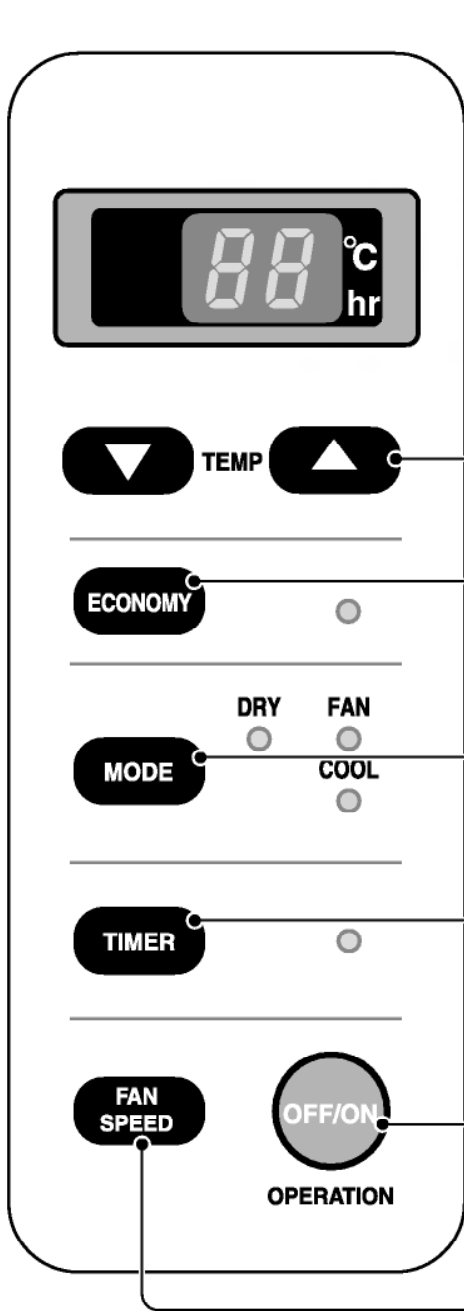
- **NOTE:** Specifications are subject to minor change without notice for further improvement.

1.4 ABOUT THE CONTROLS ON THE AIR CONDITIONER

1.4.1 CONTROLS (Model: CW-XC54HU)



1.4.2 CONTROLS (Model: CW-XC54HK)



TEMPERATURE SETTING

- This button can automatically control the temperature of the room. The temperature can be set within a range of 60°F (16°C) to 86°F (30°C) by 1°F (1°C). Select the lower number for lower temperature of the room.

ECONOMY

- If you push the button, the fan stops when the compressor stops cooling.
- Approximately every 3 minutes the fan will turn on and check the room air to determine if cooling is needed.

MODE

- Every time you push this button, it will toggle between COOL, FAN and DRY.

ON/OFF TIMER

- STOPPING OPERATION

- Every time your push this button, when the unit is operating, timer is set as follows.

(1Hour → 2Hour → 3Hour → 4Hour → 5Hour → 6Hour → 7Hour → 8Hour → 9Hour → 10Hour → 11Hour → 12Hour → Cancel)

- The Setting Temperature will be raised by 2°F (1°C) 30 min. later and by 2°F (1°C) after another 30 min.

- STARTING OPERATION

- Every time your push this button, when the unit is not operating, timer is set as follows.

(1Hour → 2Hour → 3Hour → 4Hour → 5Hour → 6Hour → 7Hour → 8Hour → 9Hour → 10Hour → 11Hour → 12Hour → Cancel)

POWER

- To turn the unit ON, push the button. To turn the unit OFF, push the button again.
- This button takes priority over any other buttons.
- When you first turn it on, the unit is on the High cool mode and the temp. at 72°F (22°C).

FAN SPEED

- Every time you push this button it is set as follows. {High(F2) → Low(F1) → High(F2)...}.

DRY

- When this unit is in dry mode, the fan rotates at low speed. The fan stops when the compressor stops cooling. Approximately every 3 minutes the fan will turn on and the unit checks the room air temperature to set itself.

1.4.3 REMOTE CONTROLLER

Precaution: The Remote Controller will not function properly if strong light strikes the sensor window of the air conditioner or if there are obstacles between the Remote Controller and the air conditioner.

OPERATION BUTTON

- To turn the air conditioner ON, push the button. To turn the air conditioner OFF, push the button again.
- This button takes priority over any other buttons.
- When you first turn it on, the air conditioner is on the High cool mode and the temp. at 72°F (22°C).

ROOM TEMPERATURE SETTING BUTTON

This button can automatically control the temperature of the room. The temperature can be set within a range of 60°F to 86°F by 1°F. (16°C to 30°C by 1°C)
Select the lower number for lower temperature of the room.

ON/OFF TIMER BUTTON

- You can set the time when the unit will turn on or turn off automatically by pressing the timer button. If the unit is in operation, this button controls the time it will be turned off. If the unit is in off state, this button controls the time it will start. Every time you push this button, the remaining time will be set as follows:

- STOPPING OPERATION

- Every time you push this button, when the air conditioner is operating, timer is set as follows : (1Hour → 2Hours → 3Hours → 4Hours → 5Hours → 6Hours → 7Hours → 8Hours → 9Hours → 10Hours → 11Hours → 12Hours → 0Hour → 1Hour → 2Hours → ...)
- The Setting Temperature will be raised by 2°F (1°C) 30 min. later and by 2°F (1°C) after another 30 min.

- STARTING OPERATION

- Every time you push this button, when the air conditioner is not operating, timer is set as follows : (1Hour → 2Hours → 3Hours → 4Hours → 5Hours → 6Hours → 7Hours → 8Hours → 9Hours → 10Hours → 11Hours → 12Hours → 0Hour → 1Hour → 2Hours → ...)

OPERATION MODE SELECTION BUTTON

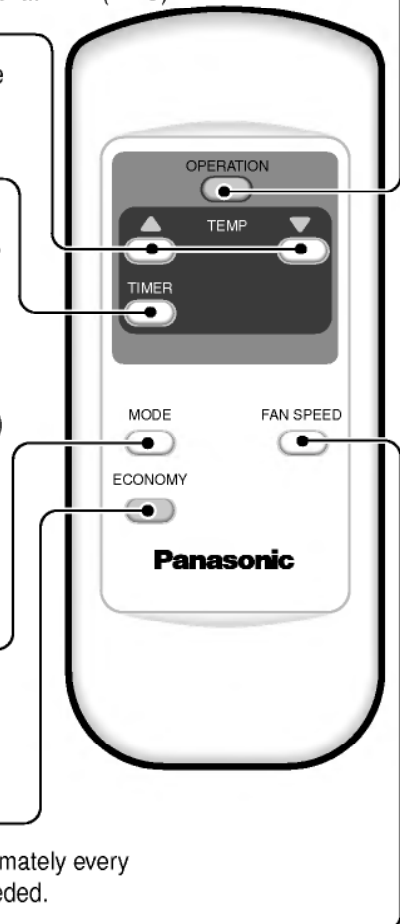
- Every time you push this button, it will toggle between COOL, FAN and DRY. (Model: CW-XC54HK)
- Every time you push this button, it will toggle between COOL, ECONOMY, FAN and DRY. (Model: CW-XC54HU)

ECONOMY

- If you push this button, the fan stops when the compressor stops cooling. Approximately every 3 minutes the fan will turn on and check the room air to determine if cooling is needed.

FAN SPEED SELECTION BUTTON

Every time you push this button, it is set as follows.
{High(F2) → Low(F1) → High(F2)...}.



How to Insert Batteries

1. Remove the cover from the back of the remote controller
2. Insert two batteries.
 - Be sure that the (+) and (-) directions are correct.
 - Be sure that both batteries are new.
3. Re-attach the cover.



- Do not use rechargeable batteries. Such batteries differ from standard dry cells in shape, dimensions, and performance.
- Remove the batteries from the remote controller if the air conditioner is not going to be used for an extended length of time.

2. DISASSEMBLY INSTRUCTIONS

2.1 MECHANICAL PARTS

2.1.1 FRONT GRILLE

1. Disconnect the unit from source of power.
2. Using a screwdriver, remove the screw that secures the front grille to control board. (See Figure 1)
3. Push the front grille up from the bottom. Pull the top of the front grille away from the cabinet as the top tabs lift out of their slots. (See Figure 2)
4. Replace the grille by placing the tabs in the slots and push the grille until it snaps into place.

Figure 1

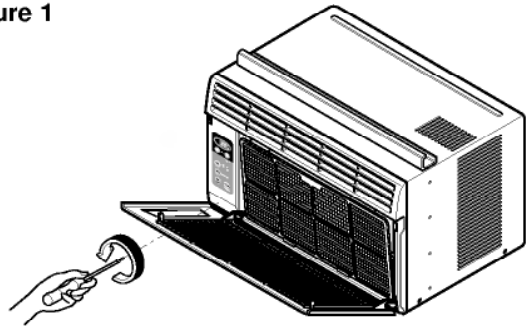
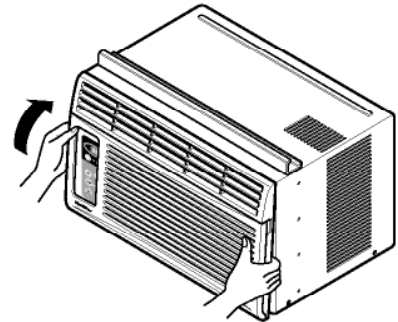


Figure 2



2.1.2 CABINET

1. Disconnect the unit from the power source.
2. Remove the front grille. (Refer to section 2.1.1)
3. Remove 9 screws that secure the cabinet to the base pan and condenser. (See figure 3)
4. Lift the cabinet from the unit.
5. Re-install by referring to the procedures above.

Figure 3

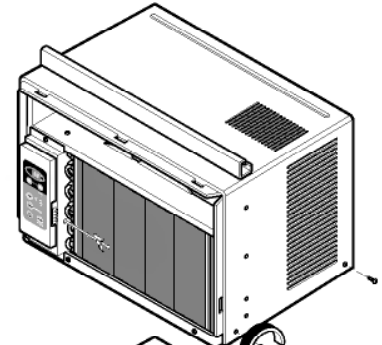


Figure 4

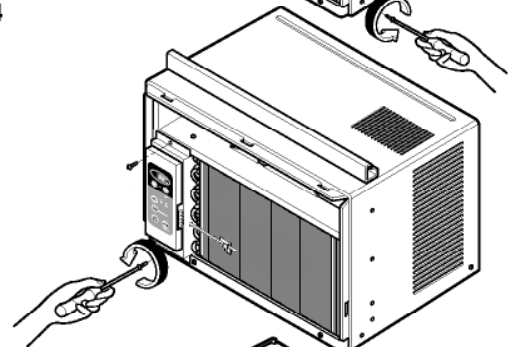
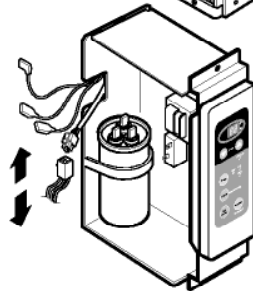


Figure 5



2.1.3 CONTROL BOX

1. Disconnect the unit from the power source.
2. Remove the front grille. (Refer to Section 2.1.1)
3. Remove the cabinet. (Refer to Section 2.1.2)
4. Remove 2 screws that secure the control box to base pan and air guide. (See Figure 4)
5. Pull the control box toward yourself.

NOTE : Controls, wires, and capacitor are now accessible for servicing. Discharge the capacitor before servicing. See step 2.3.3 on page 8 for procedures.

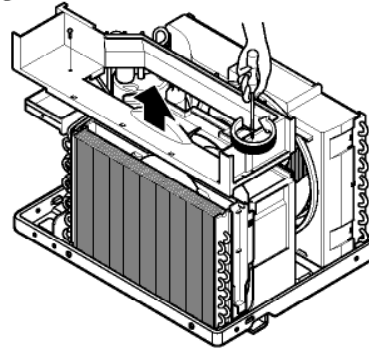
6. Disconnect one housing terminal and 3 wires for the fan motor and compressor. (See Figure 5)
7. Re-install components by referring to procedures above. (Refer to wiring diagram on page 26 in this manual or inside control board.)

2.2 AIR HANDLING PARTS

2.2.1 AIR GUIDE UPPER

1. Disconnect the unit from the power source.
2. Remove the front grille. (Refer to Section 2.1.1)
3. Remove the cabinet. (Refer to Section 2.1.2)
4. Remove the control box.
(Refer to Section 2.1.3)
5. Remove 2 screws that secure the air guide upper to air guide lower. (See Figure 6)
6. Lift air guide upper upward.
7. Re-install by referring to the procedures above.

Figure 6



2.2.2 ORIFICE, TURBO FAN AND FAN

1. Disconnect the unit from the power source.
2. Remove the front grille. (Refer to Section 2.1.1)
3. Remove the cabinet. (Refer to Section 2.1.2)
4. Remove the control box.
(Refer to Section 2.1.3)
5. Remove the air guide upper.
(Refer to Section 2.2.1)
6. Remove 2 screws that secure the base pan to condenser. (See Figure 7)
7. Remove screw that secures the shroud to channel of condenser.
8. Press the snap area of shroud with your thumbs. This allows you to remove it from the condenser.
9. Lift the compressor upward with the evaporator and condenser. (See Figure 7)
10. Remove the orifice by pushing the snap area of the air guide turbo. (See Figure 8)
11. Remove the clamp springs which are clamped to the boss of fan and turbo fan by hand pliers. (See Figure 9)
12. Pull the fan and turbo fan outward.
13. Remove the shroud.
14. Re-install by referring to the procedures above.

Figure 7

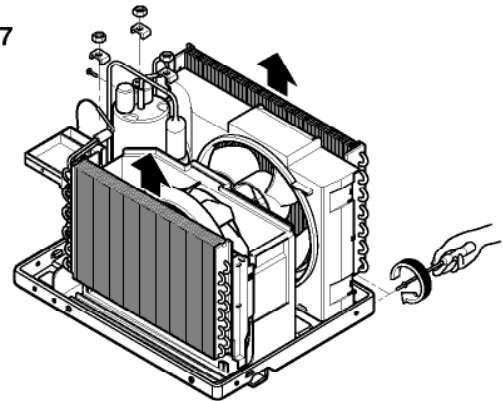


Figure 8

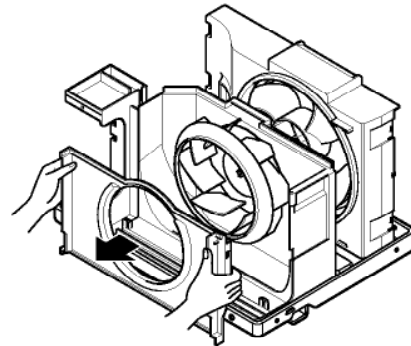
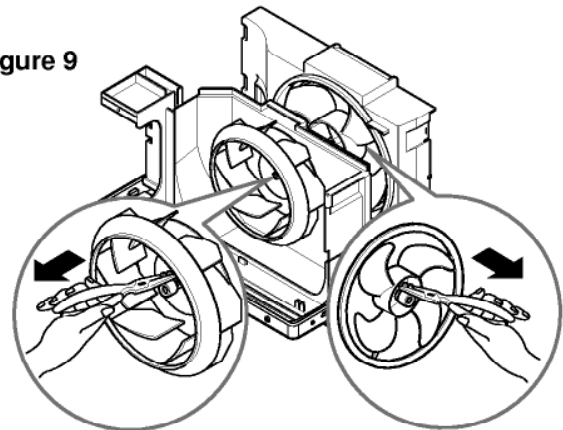


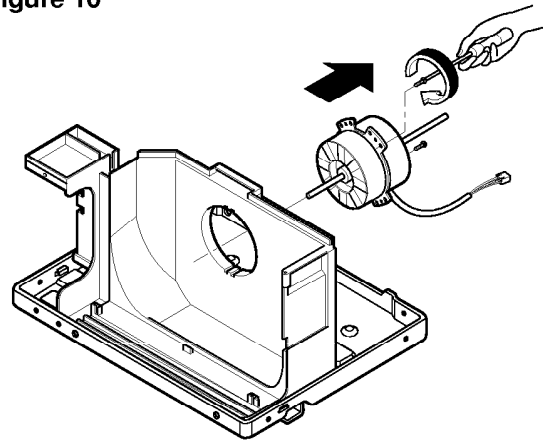
Figure 9



2.2.3 MOTOR

1. Disconnect the unit from the power source.
2. Remove the front grille. (Refer to Section 2.1.1)
3. Remove the cabinet. (Refer to Section 2.1.2)
4. Remove the control box.
(Refer to Section 2.1.3)
5. Remove the air guide upper.
(Refer to Section 2.2.1)
6. Remove the compressor, turbo fan, fan and shroud. (Refer to Section 2.2.2)
7. Remove 2 screws that secure the motor to the airguide. (See figure 10)
8. Remove the motor.
9. Re-install by referring to the procedures above.

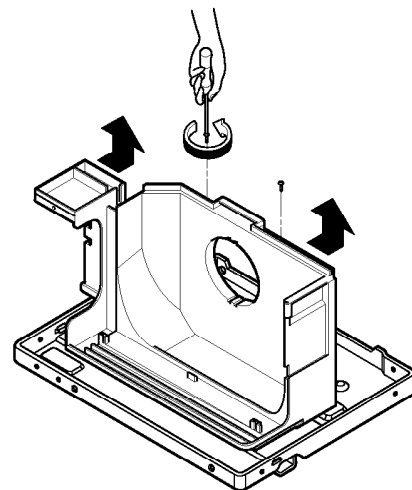
Figure 10



2.2.4 AIR GUIDE

1. Disconnect the unit from the power source.
2. Remove the front grille. (Refer to Section 2.1.1)
3. Remove the cabinet. (Refer to Section 2.1.2)
4. Remove the control box.
(Refer to Section 2.1.3)
5. Remove the air guide upper.
(Refer to Section 2.2.1)
6. Remove the compressor, turbo fan, fan and shroud. (Refer to Section 2.2.2)
7. Remove the motor. (Refer to Section 2.2.3)
8. Remove 2 screws that secure the air guide to the base pan. (See Figure 11)
9. Push the air guide backward and lift it upward.
(See Figure 11)
10. Re-install by referring to the procedures above.

Figure 11



2.3 ELECTRICAL PARTS

2.3.1 OVERLOAD PROTECTOR

1. Remove the front grille and cabinet.
(Refer to Section 2.1)
2. Remove the nut which fastens the terminal cover.
3. Remove the terminal cover.
4. Remove all the leads from the overload protector.
5. Remove the overload protector.
6. Re-install the components by referring to the removal procedure above.
(See Figure 12 and 13)

Figure 12

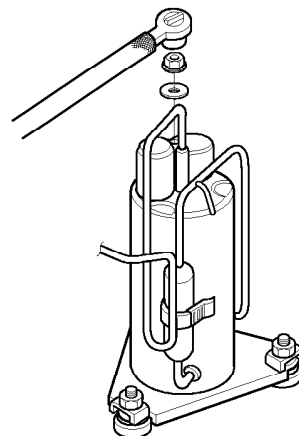
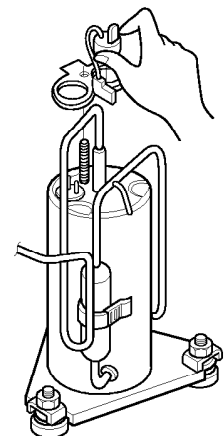


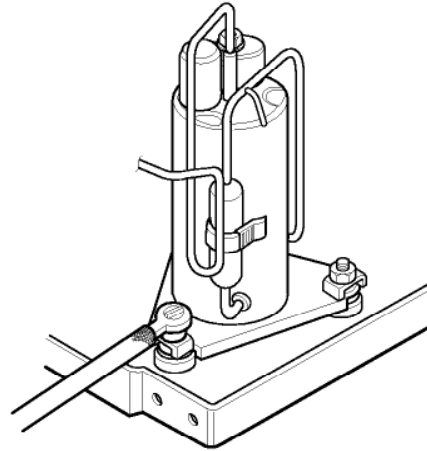
Figure 13



2.3.2 COMPRESSOR

1. Remove the front grille and cabinet.
(Refer to Section 2.1)
2. Discharge the refrigerant by using a refrigerant recovery system.
3. Remove the overload protector.
(Refer to Section 2.3.1)
4. After discharging the refrigerant from unit completely, disassemble the suction and discharge pipes at the compressor connections.
5. Remove 3 nuts which fasten the compressor.
6. Remove the compressor.
7. Re-install by referring to the removal procedure above. (See Figure 14)

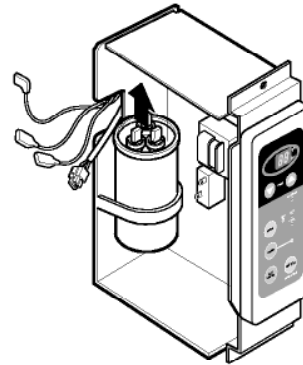
Figure 14



2.3.3 CAPACITOR

1. Remove the cabinet. (Refer to Section 2.1.2)
2. Remove the control box.
(Refer to Section 2.1.3)
3. Discharge the capacitor by placing a 20 K Ω resistor across the capacitor terminals.
4. Remove the screw which fastens the capacitor clamp.
5. Remove all the leads of capacitor terminals.
6. Re-install the components by referring to the removal procedure above. (See Figure 15)

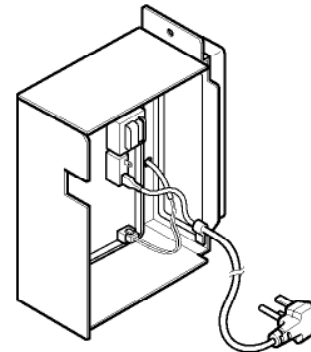
Figure 15



2.3.4 THERMISTOR

1. Remove the control box. (Refer to section 2.1.3)
2. Open the control box. (Refer to section 2.3.3)
3. Disconnect the thermistor terminals from main P.C.B assembly.
4. Remove the thermistor.
5. Re-install the components by referring to the above removal procedure. (See Figure 16)

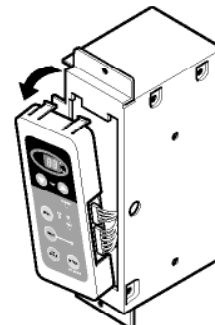
Figure 16



2.3.5 CONTROL PANEL

1. Remove the cabinet. (Refer to Section 2.1.2)
2. Remove the control box.
(Refer to Section 2.1.3)
3. Pull the control panel forward and pull it out.
4. Remove 2 lead wire terminals.
5. Re-install the components by referring to the removal procedure above. (See Figure 17)

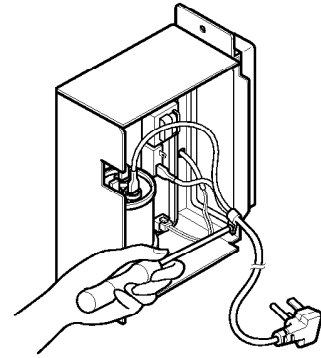
Figure 17



2.3.6 POWER CORD

1. Disconnect the unit from source of power.
2. Remove the front grille. (Refer to Section 2.1.1)
3. Remove the cabinet. (Refer to Section 2.1.2)
4. Remove a screw that secures control box to base pan. (Refer to Section 2.1.3)
5. Pull the control box toward you.
6. Disconnect the 2 receptacles and remove the grounding screw.
7. Remove a screw securing the clip with cord to the control box.
8. Pull the power cord.
9. Re-install by referring to procedures above.

Figure 18

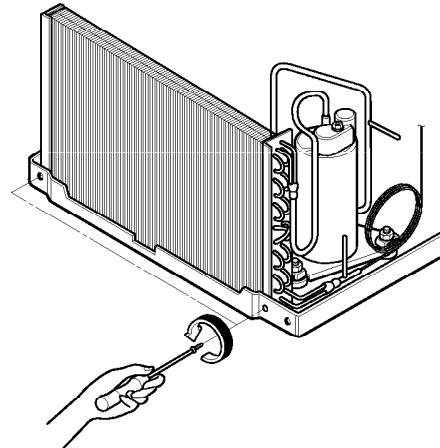


2.4 REFRIGERANT CYCLE

2.4.1 CONDENSER

1. Remove the cabinet. (Refer to Section 2.1.2)
2. Discharge the refrigerant by using a refrigerant recovery system.
3. Remove the air guide. (Refer to Section 2.2.1)
4. Remove 2 screws which fasten the condenser.
5. After discharging the refrigerant completely, unbraid the interconnecting tube at the condenser connections.
6. Remove the condenser.
7. Re-install by referring to the procedures above.

Figure 19



2.4.2 EVAPORATOR

1. Remove the cabinet.
2. Discharge the refrigerant by using a refrigerant recovery system.
3. Remove the air guide upper. (Refer to Section 2.2.1)
4. After discharging the refrigerant completely, unbraid the interconnecting tube at the condenser connections.
5. Remove the evaporator.
6. Re-install by referring to the procedures above.

2.4.3 CAPILLARY TUBE

1. Remove the cabinet.
2. Discharge the refrigerant by using a refrigerant recovery system.
3. Remove the air guide upper. (Refer to Section 2.2.1)
4. After discharging the refrigerant completely, unbraid the interconnecting tube of the capillary tube.
5. Remove the capillary tube.
6. Re-install by referring to the procedures above.

NOTES

Replacement of the refrigeration cycle.

1. When replacing the refrigerating cycle, be sure to discharge the refrigerant by using a refrigerant recovery system.
2. After discharging the refrigerant from unit completely, remove the desired components, and unbraid the pinch-off tubes.
3. Braze service valves into the pinch-off tube ports, leaving the valves open.
4. Braze the pinch-off tubes with service valves.
5. After completing the above procedures, the valve must be closed and left in place on the system for any subsequent procedures.
6. Evacuate as follows:
 - 6-1. Connect the vacuum pump, as illustrated in figure 21A.
 - 6-2. Start the vacuum pump. Slowly open manifold valves A and B with two full turns counter-clockwise and leave the valves closed. The vacuum pump is now pulling through valves A and B up to valve C (figure 21B) by means of manifold and the entire system.

CAUTION : If high vacuum equipment is used, just slightly loosen the valves A and B for a few minutes, then open slowly with the two full turns

counter-clockwise. This will keep oil from foaming and being drawn into the vacuum pump.

- 6-3. Operate the vacuum pump for 20 to 30 minutes, until 600 micron vacuum is obtained. Close valves A and B and observe vacuum gauge for a few minutes. A rise in pressure would indicate a possible leak or moisture remaining in the system. With valves A and B closed, stop the vacuum pump.
- 6-4. Remove the hose from the vacuum pump and place it on the charging cylinder. See figure 21B. Open valve C. Discharge the line at the manifold connection.
- 6-5. The system is now ready for final charging.
7. Recharge as follows:
 - 7-1. Rotary compressor systems are charged from the high-side. If the total charge cannot be put in the high-side, the balance will be put in the suction line through the access valve which is installed as the system is opened.
 - 7-2. Connect the charging cylinder as shown in figure 21B. With valve C open, discharge the hose at the manifold connection.
 - 7-3. Open valve A and allow the proper charge to enter the system. Valve B is still closed.
 - 7-4. If more charge is required, the high-side will not take it. Close valve A.
 - 7-5. With the unit running, open valve B and add the balance of the charge.
 - a. Do not add the liquid refrigerant to the low-side.
 - b. Watch the low-side gauge, allow pressure to rise to 30 lbs(0.2MP).
 - c. Turn off valve B and allow the pressure to drop.
 - d. Repeat steps B and C until the balance of the charge is in the system.
 - 7-6. When the unit is operating correctly, use the pinch-off tool with the unit still running and the clamp on the pinch-off tube. Using a tube cutter, cut the pinch-off tube about 5cm(2") from the pinch-off tool. Use sil-fos brazing rod and braze the pinch-off tube closed. Turn off the unit, allow setting for a while and then test the leakage of the pinch-off connection.

Equipment needed: Vacuum pump, charging cylinder, manifold gauge, brazing equipment, pinch-off tool capable of making a vapor proof seal, leak detector, tubing cutter, hand tools to remove components and service valve.

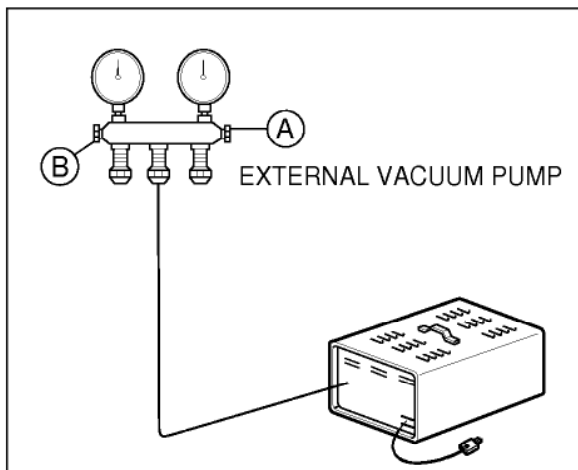
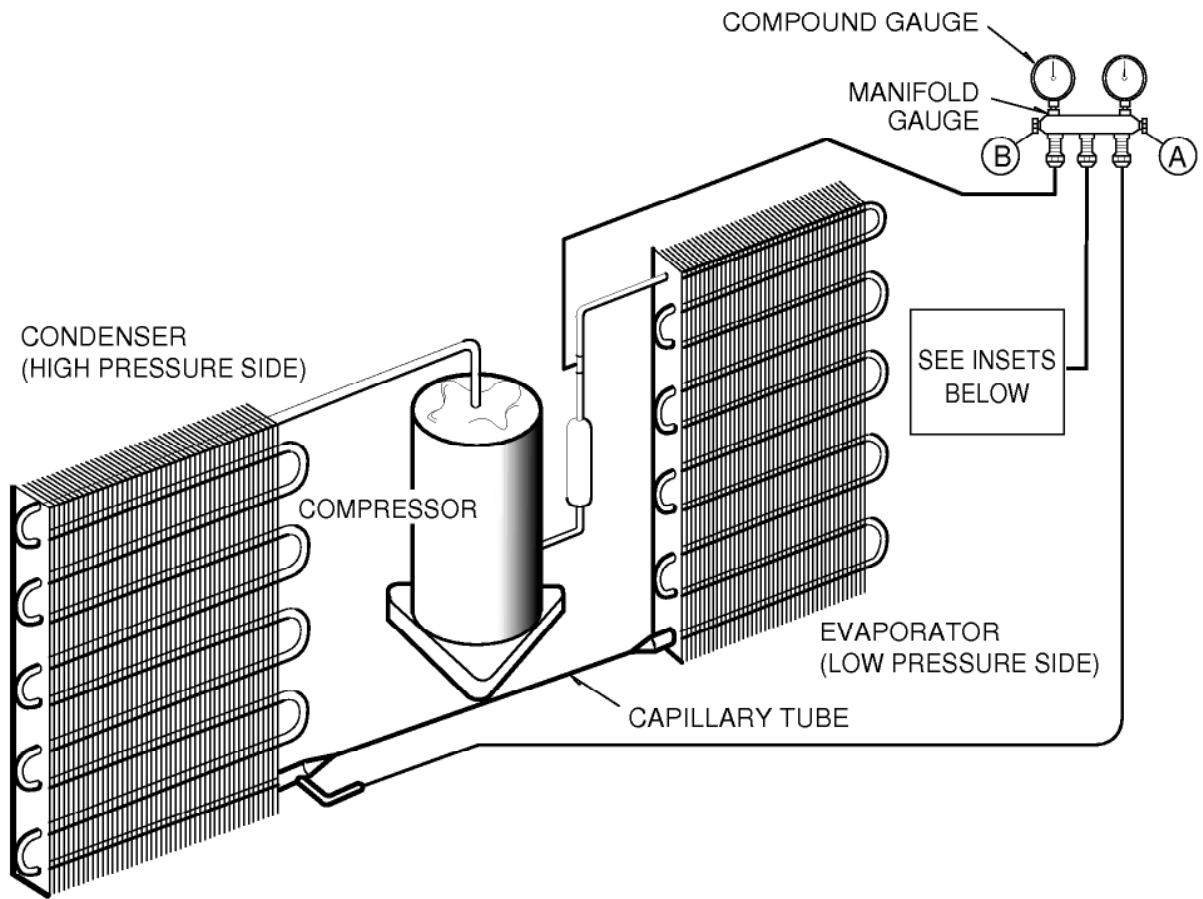


Figure 21A-Pulling Vacuum

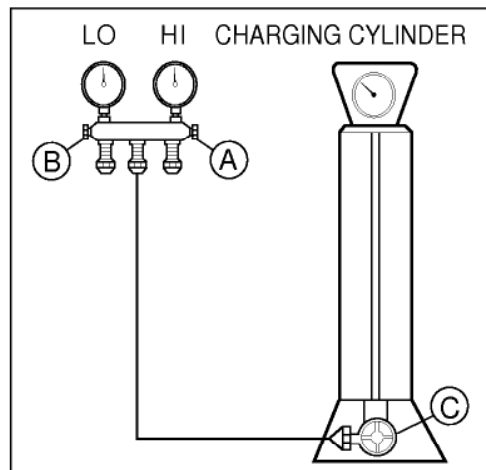


Figure 21B-Charging

3. INSTALLATION

This air conditioner is designed with a button-down chassis so it can be easily installed in a window.

3.1 SELECT THE BEST LOCATION

1. To prevent vibration and noise, make sure the unit is installed securely and firmly.
2. Install the unit where the sun does not shine directly on the unit.
3. The outside of the cabinet must extend outward for at least 25.4cm(10") and there should be no obstacles, such as a fence or wall, within 50.8cm(20") from the back of the cabinet because it will prevent heat radiation of the condenser. Restriction of outside air will greatly reduce the cooling efficiency of the air conditioner.

CAUTION

All side louvers of the cabinet must remain exposed on the outside of the structure.

4. Install the unit slanted slightly so the back is slightly lower than the front (about 6.35mm(1/4")). This will force condensed water to the outside.
5. Install the unit with the bottom about 76.2cm(30")~152.4cm(60") above the floor level.

3.2 HOW TO INSTALL

3.2.1 WINDOW REQUIREMENTS

NOTE: All supporting parts should be secured to firm wood, masonry, or metal.

1. This unit is designed for installation in standard double hung windows with actual opening widths of 55.88cm(22") to 91.44cm(36"). The upper and lower sash must open sufficiently to allow a clear vertical opening of 13cm(5") from the bottom of the sash to the window stool.
2. If a storm window presents interference, fasten a 5.08cm(2") wide wood strip to the inner window sill across the full width of the sill. The wood strip should be thick enough to raise the height of the window sill so that the unit can be installed without interference by the storm window frame. See Fig. 24. Top of the wood strip should be approximately 1.9cm(3/4") higher than the storm window frame (STORM WINDOW FRAME) or wood strip (OUTDOORS) to help condensation to drain properly to the outside.
3. Install a second wood strip (approximately 15.24cm(18") long by 3.81cm(1 1/2") wide and same thickness as first strip) in the center of the outer sill flush against the back off the inner sill. This will raise the L bracket as shown Fig. 24. The thickness of the second wood strip may not be the same as the first wood strip. The thickness of the second wood strip must be defined to keep the 1.9cm(3/4") distance between the inner sill or the top of the first wood strip and the outer sill.

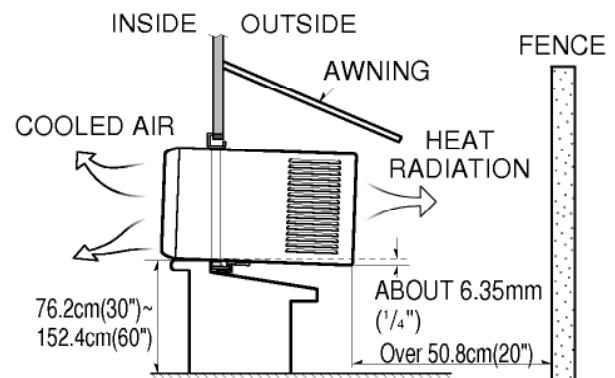


Figure 22

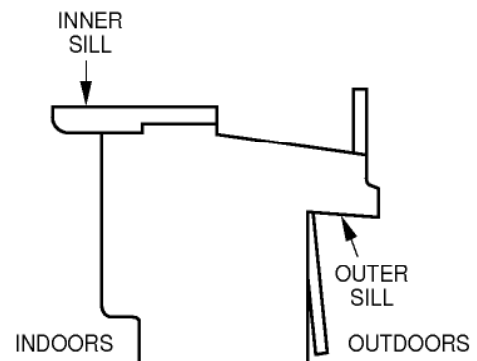


Figure 23

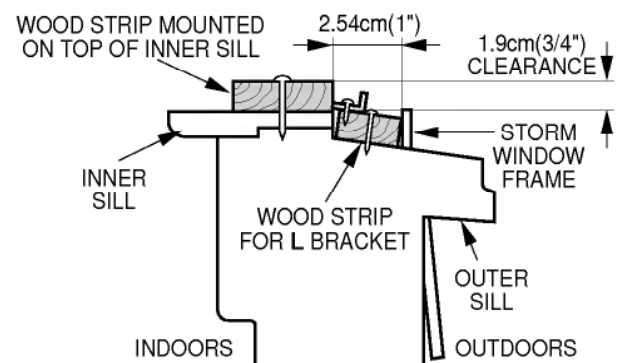
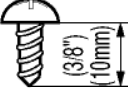



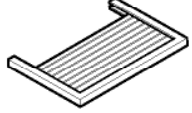



Figure 24

Installation

HARDWARE			
TYPE A: Qty:11 (SHORT SCREW)	TYPE B: Qty:5 (WOOD SCREW)	TYPE C: Qty:5 (L BRACKET)	DRAIN PIPE: Qty:1
			
TYPE D: Qty:1 (SEAL STRIP)	TYPE E: Qty:1 (SASH SEAL)	TYPE F: Qty:2 (GUIDE PANEL)	TYPE G: Qty:1 (SUPPORT BRACKET)
(Adhesive backed)	(Not adhesive backed)		

3.2.2 BEFORE INSTALLATION

1. Insert the guide panels into the guides of the air conditioner. Fasten the curtains to the unit with screws (TYPE A), as shown Fig. 25.
2. Cut the adhesive-backed seal strip (TYPE D) to the window width. Remove the backing from the seal strip and attach the seal strip to the underside of the bottom window. (Fig. 26)

3.2.3 NOW START INSTALLATION

1. LOCATING UNIT IN A WINDOW

Open the window and mark center line on the center of the inner sill, as shown in Fig. 27.

2. ATTACH L BRACKET

- a. Install the L brackets behind the inner window sill, with the short side of bracket as shown. Use the 2 screws (TYPE A) provided.
- b. The bracket helps to hold unit securely in place. Be sure to place bracket edge flush against back of inner sill. See Fig. 27.

CAUTION

During the following step, hold unit firmly until window sash is lowered to top channel behind side panel frames. Personal injury or property damage may result if unit falls from window.

3.2.4 HOW TO INSTALL WIRE NET ON THE BACKSIDE OF THE CABINET (Optional : CW353020031B)

- Insert the rear grille wire ends into the 4 respective slots provided along the groove at the back of unit.

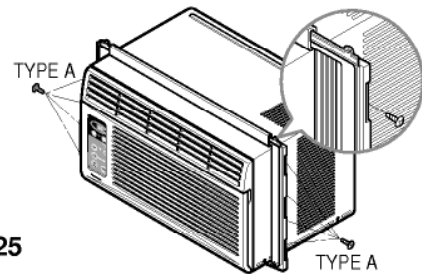


Figure 25

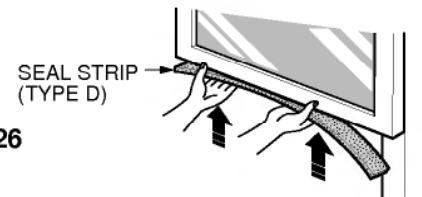


Figure 26

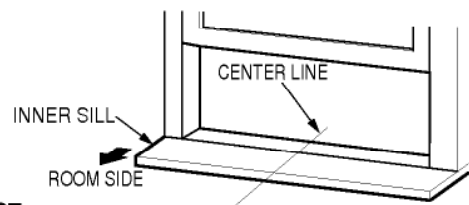
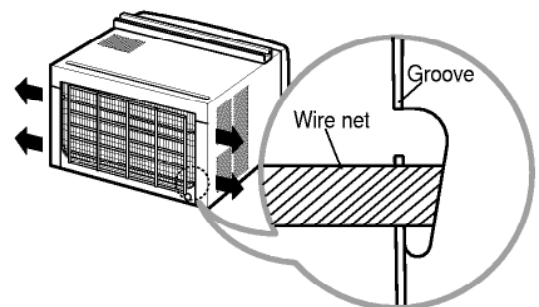


Figure 27



3. INSTALL THE AIR CONDITIONER IN THE WINDOW

- a. Carefully lift the air conditioner and slide it into the open window. Make sure the bottom guide of the air conditioner drops into the notches of the L bracket. See Fig. 28.

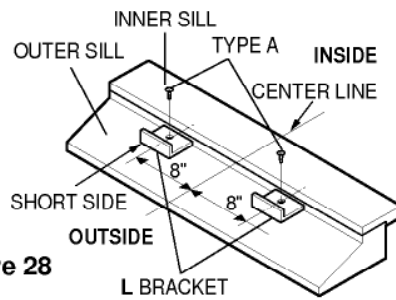


Figure 28

IMPORTANT :

When the air conditioner drops into the L bracket, the air conditioner will be centered in window opening as shown in Fig. 29.

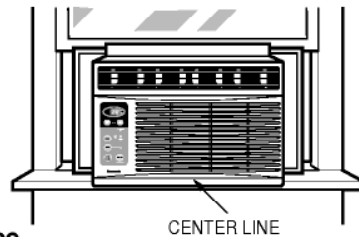


Figure 29

- b. While steadying the air conditioner, carefully bring the window sash down behind the upper guide of the air conditioner, as shown in Fig. 30.

4. SECURE THE GUIDE PANELS

Extend the guide panels (TYPE F) to fill the window opening using 4 screws (TYPE B) to secure them, as shown in Fig. 31.

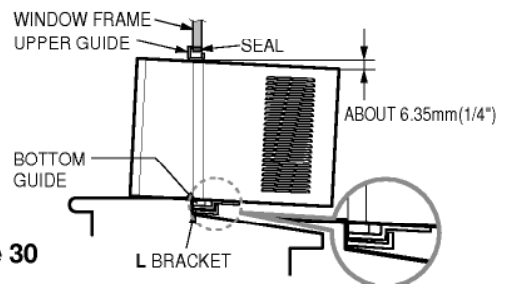


Figure 30

5. INSTALL THE SASH SEAL AND SASH LOCK

- a. Cut the sash seal (TYPE E) to the window width. Stuff the sash seal between the glass and the window to prevent air and insects from getting into the room, as shown in Fig. 31.
- b. Fasten the L bracket using a screw (TYPE A), as shown in Fig. 31.

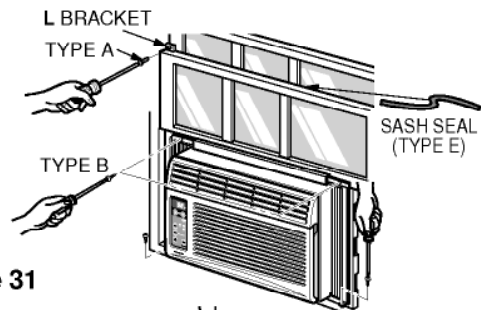


Figure 31

- 6. a. Remove the screws that secure the cabinet and base pan in the right side.
- b. Fasten the suport bracket (TYPE G) using a removed screw. Attach the suport bracket (TYPE G) in the inner window sill with a screw (TYPE B), as shown Fig. 32.

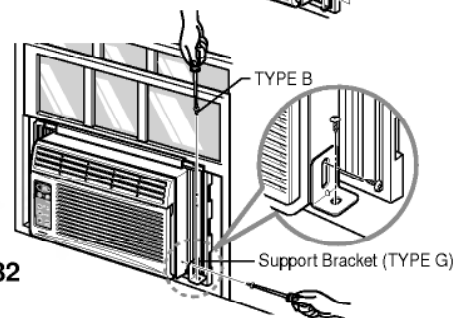


Figure 32

7. Window installation of room air conditioner is now completed. See ELECTRICAL DATA for attaching power cord to electrical outlet.

3.2.4 How to Secure the Drain pipe

In humid weather, excess water may cause the BASE PAN to overflow. To drain the water, remove the DRAIN CAP and secure the DRAIN PIPE to the rear hole of the BASE PAN. (Fig. 33) Press the drain pipe into the hole by pushing down and away from the fins to avoid injury.

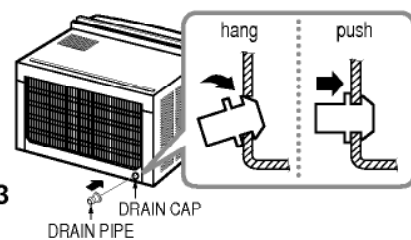
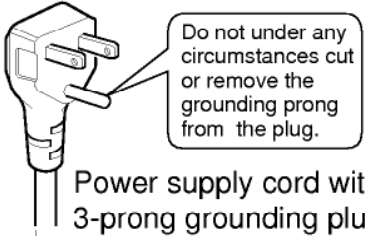



Figure 33

REMOVAL FROM WINDOW

Turn the air conditioner off, disconnect the power cord, remove the Support Bracket, L bracket and the screws installed through the top and bottom of the guide panels, and save for reinstallation later. Close the guide panels. Keeping a firm grip on the air conditioner, raise the sash, and carefully tilt the air conditioner backward, draining any condensate. Lift the air conditioner from the window and remove the sash seal from between the windows.

3.3 ELECTRICAL DATA

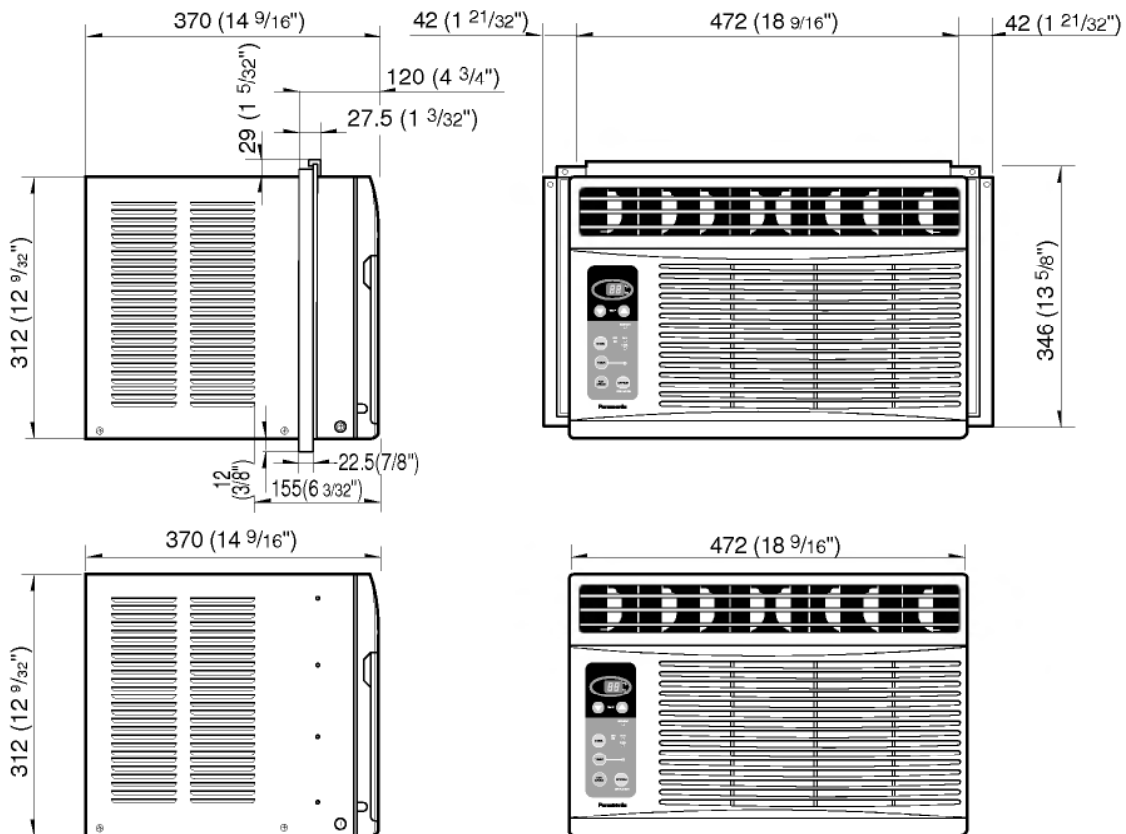
Line Cord Plug	Use Wall Receptacle	Power Supply
 <p>Do not under any circumstances cut or remove the grounding prong from the plug.</p> <p>Power supply cord with 3-prong grounding plug</p>	 <p>Standard 125V, 3-wire grounding receptacle rated 15A, 125V AC</p>	<p>Use 15 AMP, time delay fuse, or circuit breaker.</p>

USE OF EXTENSION CORDS

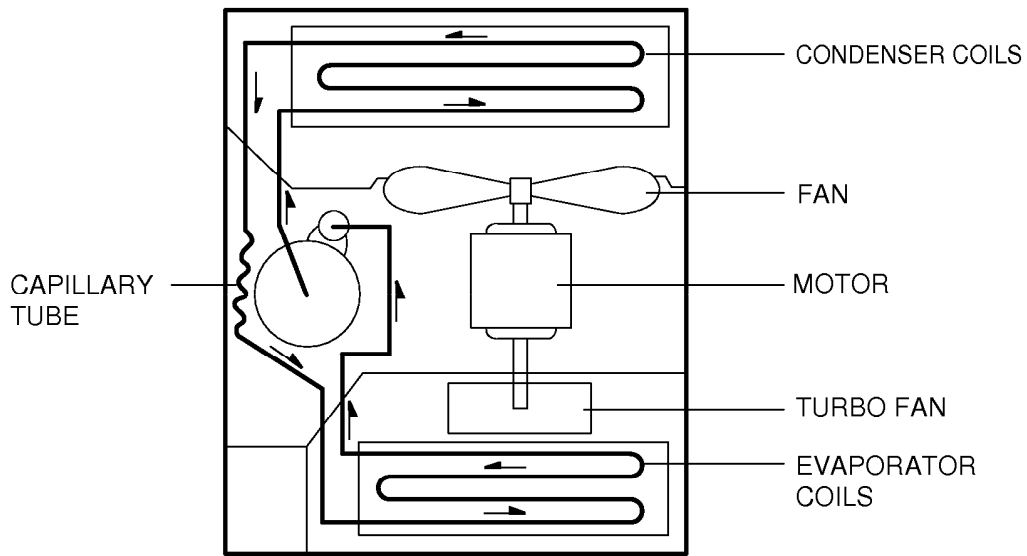
Because of potential safety hazards, we strongly discourage the use of an extension cord. However, if you wish to use an extension cord, use a CSA certified/UL-listed 3-wire (grounding) extension cord, rated 15A, 125V.

4. TROUBLESHOOTING GUIDE

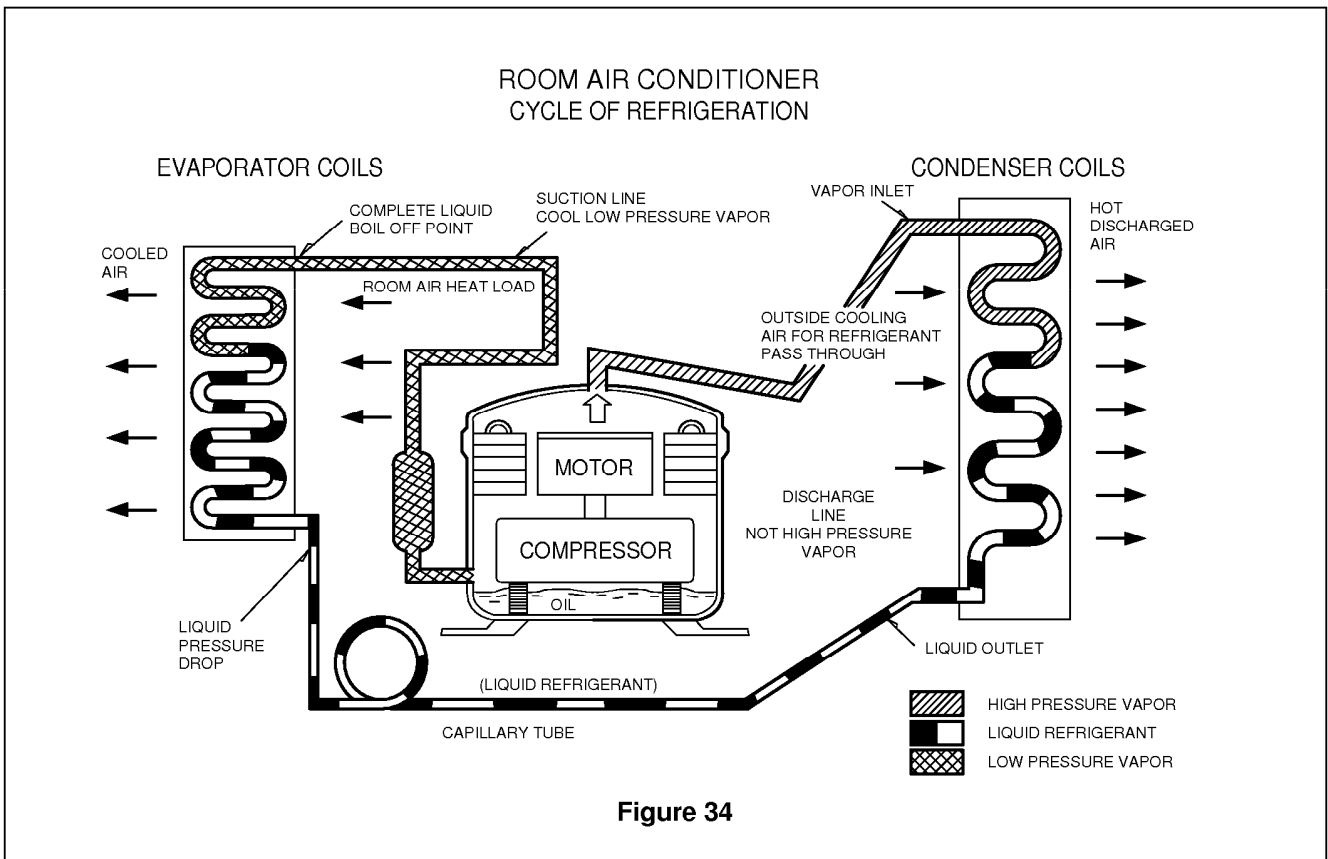
4.1 OUTSIDE DIMENSIONS (unit: mm [in])



4.2 PIPING SYSTEM



Following is a brief description of the important components and their function in what is called the refrigeration system. Reference should be made to Figure 34 to follow the refrigerating cycle and the flow of the refrigerant in the cooling cycle.

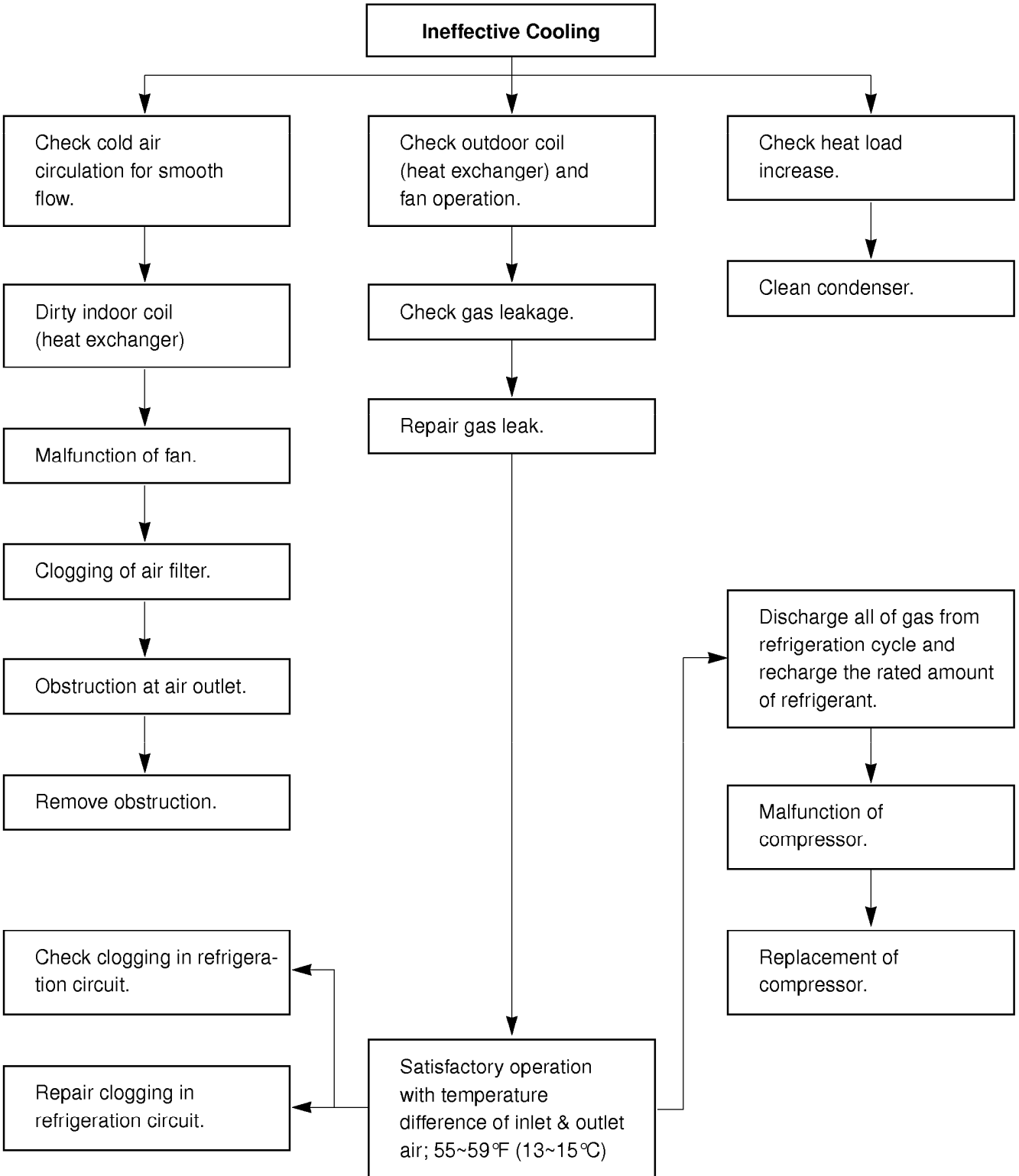


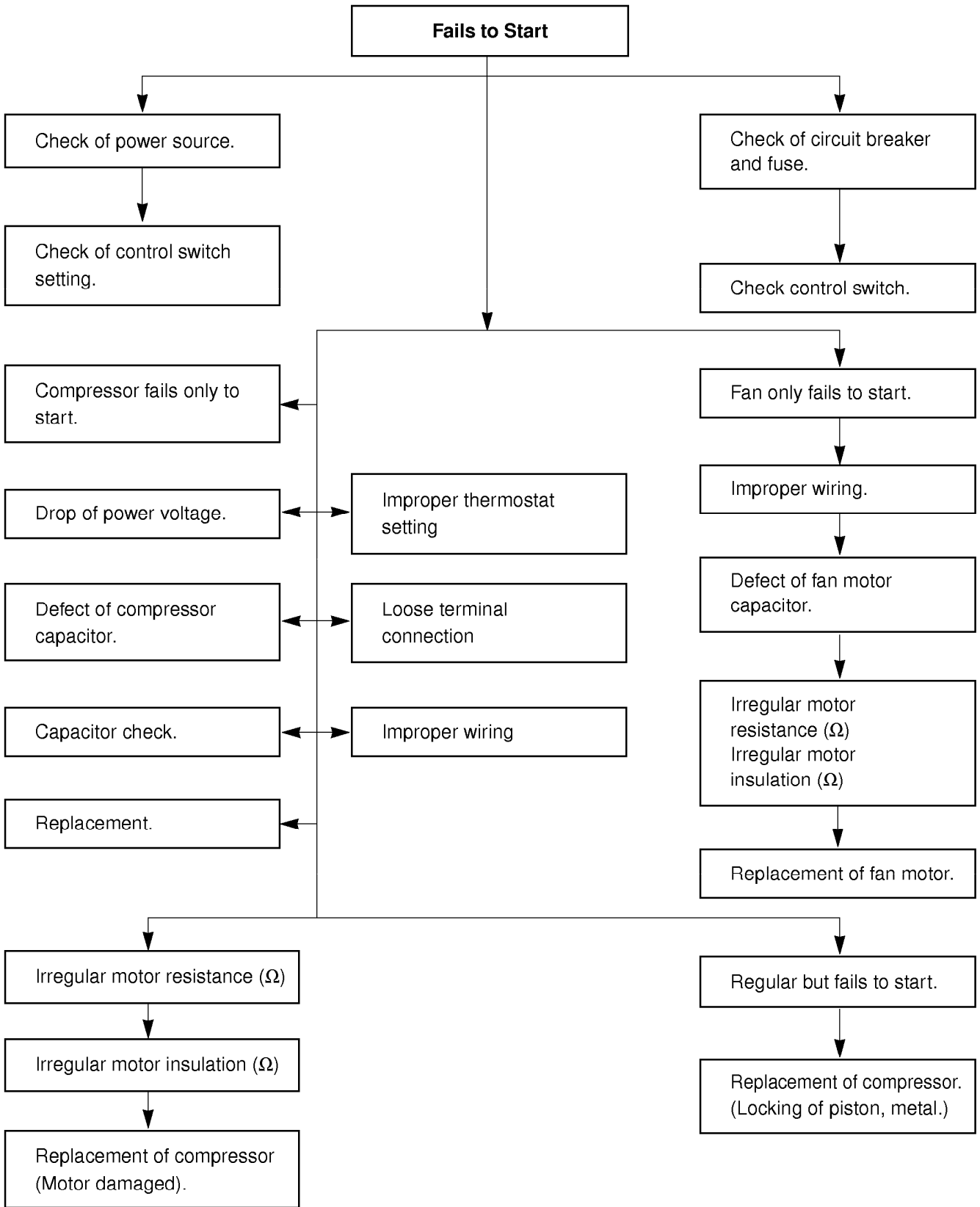
4.3 TROUBLESHOOTING GUIDE

In general, possible trouble is classified in two kinds.

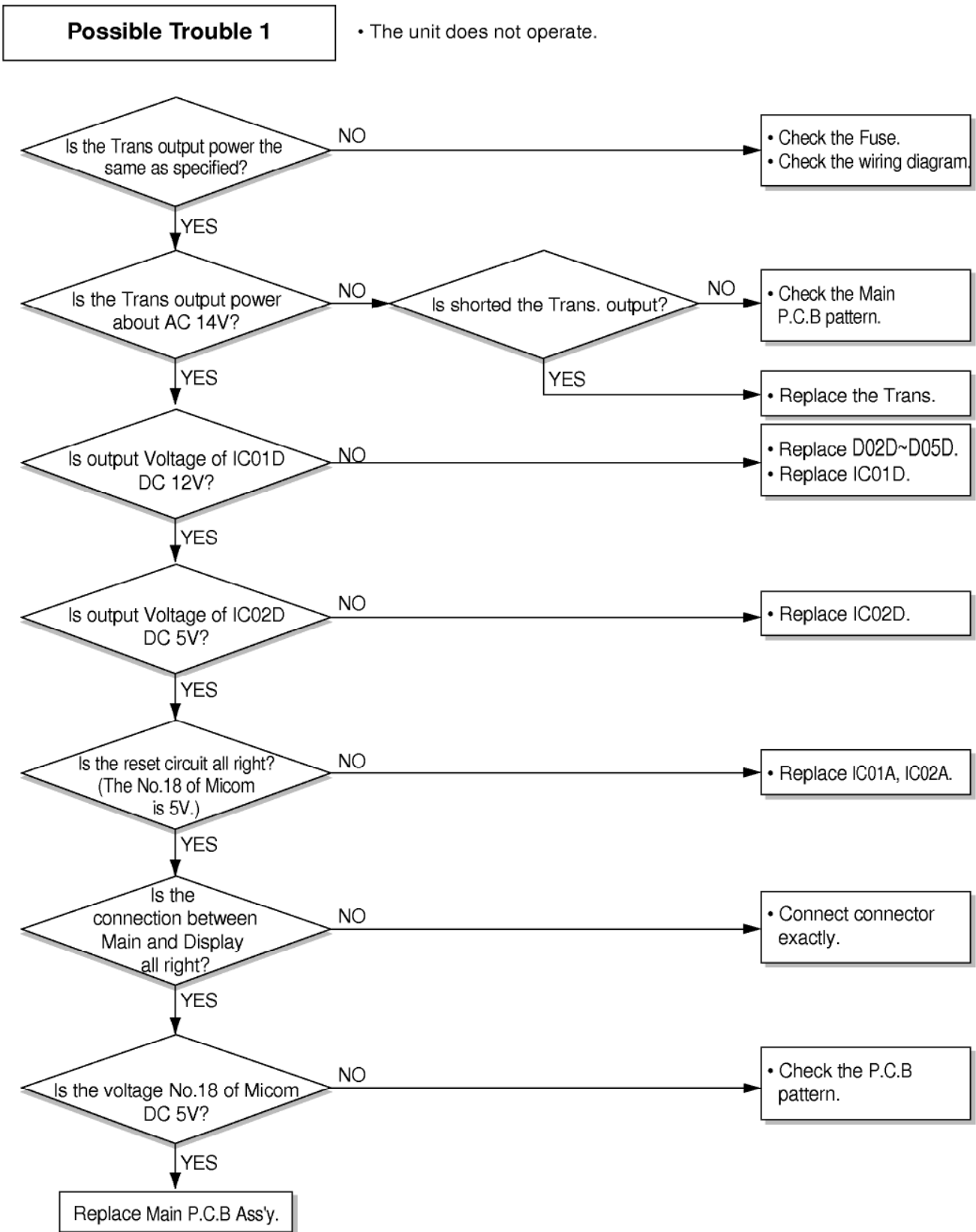
The one is called **Starting Failure** which is caused by an electrical defect. The other is **Ineffective Air Conditioning** caused by a defect in the refrigeration circuit and improper application.

Unit is running but cooling is ineffective.



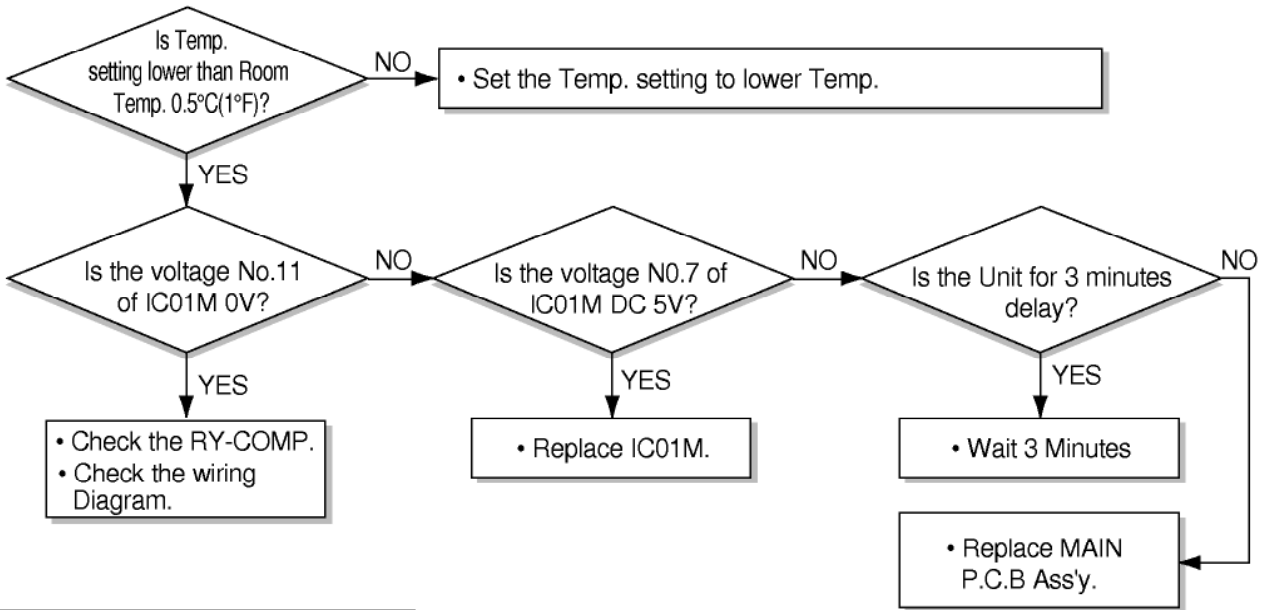


ELECTRIC PARTS TROUBLESHOOTING GUIDE:



Possible Trouble 2

• The compressor does not operate.



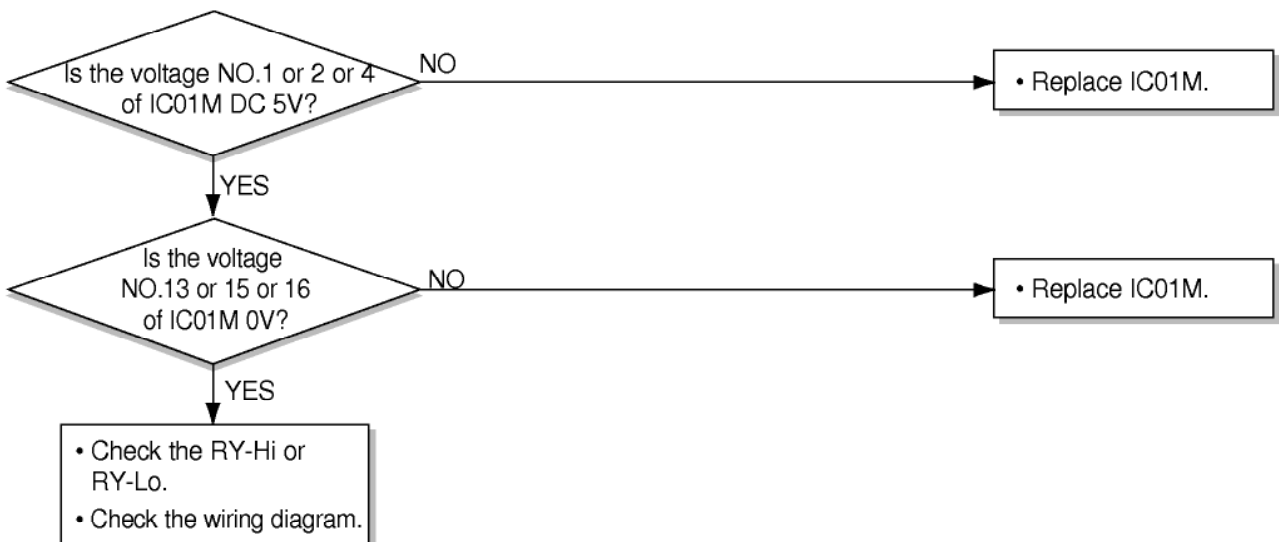
Possible Trouble 3

• The compressor always operate.



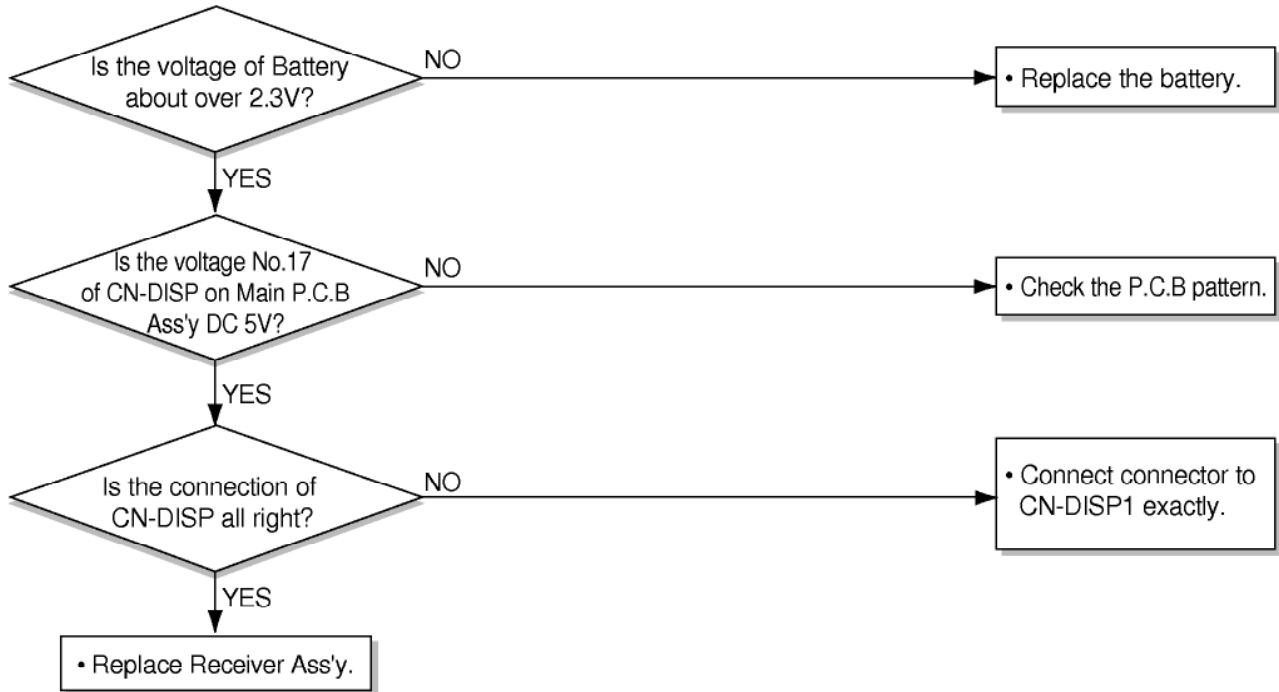
Possible Trouble 4

• Fan does not operate.



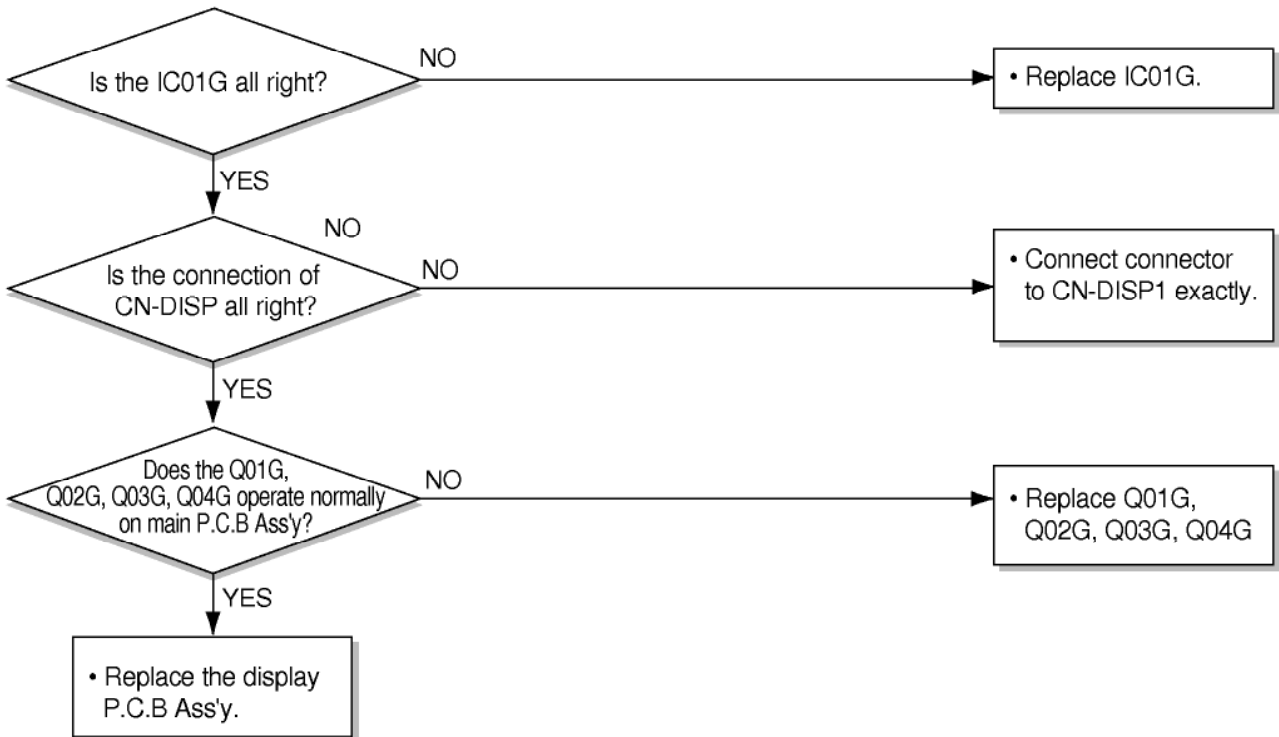
Possible Trouble 5

• Remote controller does not operate.



Possible Trouble 6

• It displays abnormally on Display P.C.B Ass'y.



ROOM AIR CONDITIONER VOLTAGE LIMITS

NAME PLATE RATING	MINIMUM	MAXIMUM
AC 115V ± 10%	AC 103.5V	AC 126.5V

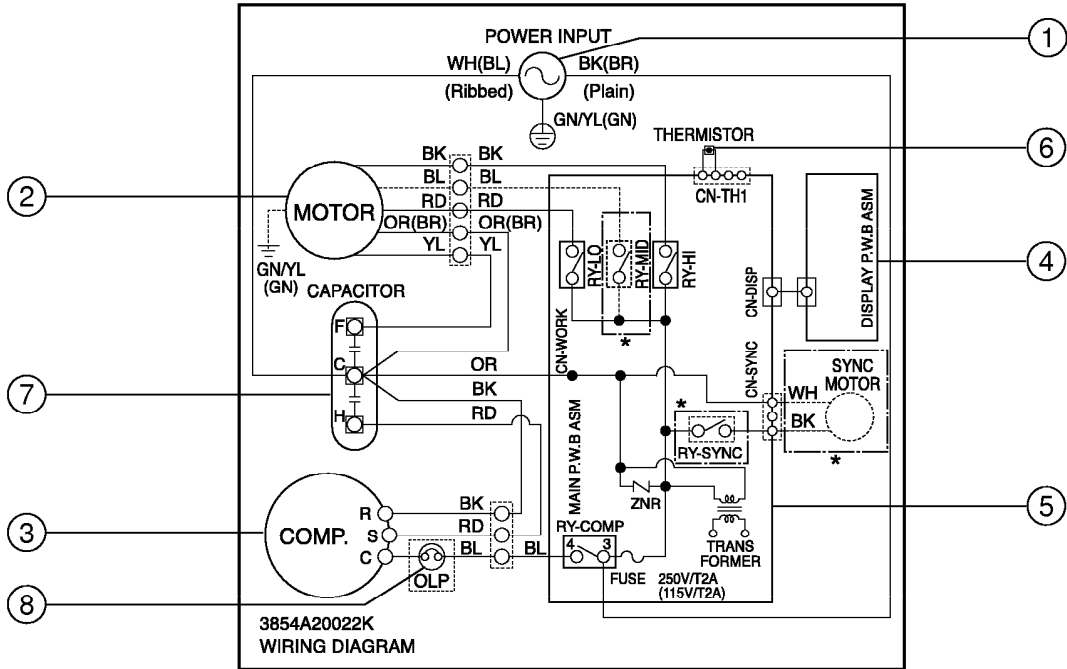
COMPLAINT	CAUSE	REMEDY
Fan motor will not run.	No power	Check voltage at outlet. Correct if none.
	Power supply cord	Check voltage to control box. If none, check power supply cord. Replace cord if circuit is open.
	Wire disconnected or connection loose	Connect wire. Refer to wiring diagram for terminal identification. Repair or replace loose terminal.
	Capacitor (Discharge capacitor before testing.)	Test capacitor. Replace if not within ±10% of manufacturer's rating. Replace if shorted, open, or damaged.
	Will not rotate	Fan blade hitting shroud or blower wheel hitting scroll. Re-align assembly. Units using slinger ring condenser fans must have 5.6mm(7/32")~6.35mm(1/4") clearance to the base. If necessary, shim up the bottom of the fan motor with mounting screw(s). Check fan motor bearings; if motor shaft will not rotate, replace the motor.
Fan motor runs.	Revolves on overload	Check voltage. See limits on this page. If not within limits, call an electrician. Test capacitor. Check bearings. Does the fan blade rotate freely? If not, replace fan motor. Pay attention to any change from high speed to low speed. If the speed does not change, replace the motor.

COMPLAINT	CAUSE	REMEDY
Fan motor noise.	Fan	If cracked, out of balance, or partially missing, replace it.
	Turbo	If cracked, out of balance, or partially missing, replace it.
	Loose set screw	Tighten it.
	Worn bearings	If knocking sounds continue when running or loose, replace the motor. If the motor hums or noise appears to be internal while running, replace motor.
Compressor will not run, fan motor runs.	Voltage	Check voltage. See the limits on the preceding page. If not within limits, call an electrician.
	Wiring	Check the wire connections; if loose, repair or replace the terminal. If the wires are disconnected, refer to wiring diagram for identification, and replace the wires. Check the wire connections; If not according to the wiring diagram, correct the connections.
	Thermistor	Check the TEMP control. If not at the lowest number, set TEMP control to this setting and restart the unit.
		Check the continuity of the thermistor. Replace the thermistor if the circuit is open.
	Capacitor (discharge capacitor before servicing.)	Check the capacitor. Replace if not within $\pm 10\%$ of manufacturer's rating, replace if shorted, open, or damaged.
	Compressor	Check the compressor for open circuit or ground. If open or grounded, replace the compressor.
Overload	Check the compressor overload if externally mounted. Replace if open. (If the compressor temperature is high, remove the overload, cool, and retest.)	
Compressor cycles on overload.	Voltage	Check the voltage. See the limits on the preceding page. If voltage is not within these limits, call an electrician.
	Overload	Check overload, if externally mounted. Replace if open. (If the compressor temperature is high, remove the overload, cool, and retest.)

COMPLAINT	CAUSE	REMEDY
Compressor cycles on overload.	Fan motor	If not running, determine the cause. Replace if required.
	Condenser air flow restriction	Remove the cabinet, inspect the interior surface of the condenser. If restricted, clean carefully with a vacuum cleaner (do not damage fins) or brush. Clean the interior base before re-assembling.
	Condenser fins (damaged)	If the condenser fins are closed over a large area on the coil surface, head pressures will increase, causing the compressor to cycle. Straighten the fins or replace the coil.
	Capacitor	Test the capacitor.
	Wiring	Check the terminals. If loose, repair or replace.
	Refrigeration system	Check the system for a restriction.
Insufficient cooling	Air filter	If restricted, clean or replace.
	Unit undersized	Determine if the unit is properly sized for the area to be cooled.
Excessive noise	Turbo or fan	Check the set screw, or clamp. If loose or missing, correct. If the turbo or fan is hitting scroll or barrier, rearrange the air handling parts.
	Copper tubing	Remove the cabinet and carefully rearrange the tubing not to contact the cabinet, compressor, shroud, and barrier.

5. SCHEMATIC DIAGRAM

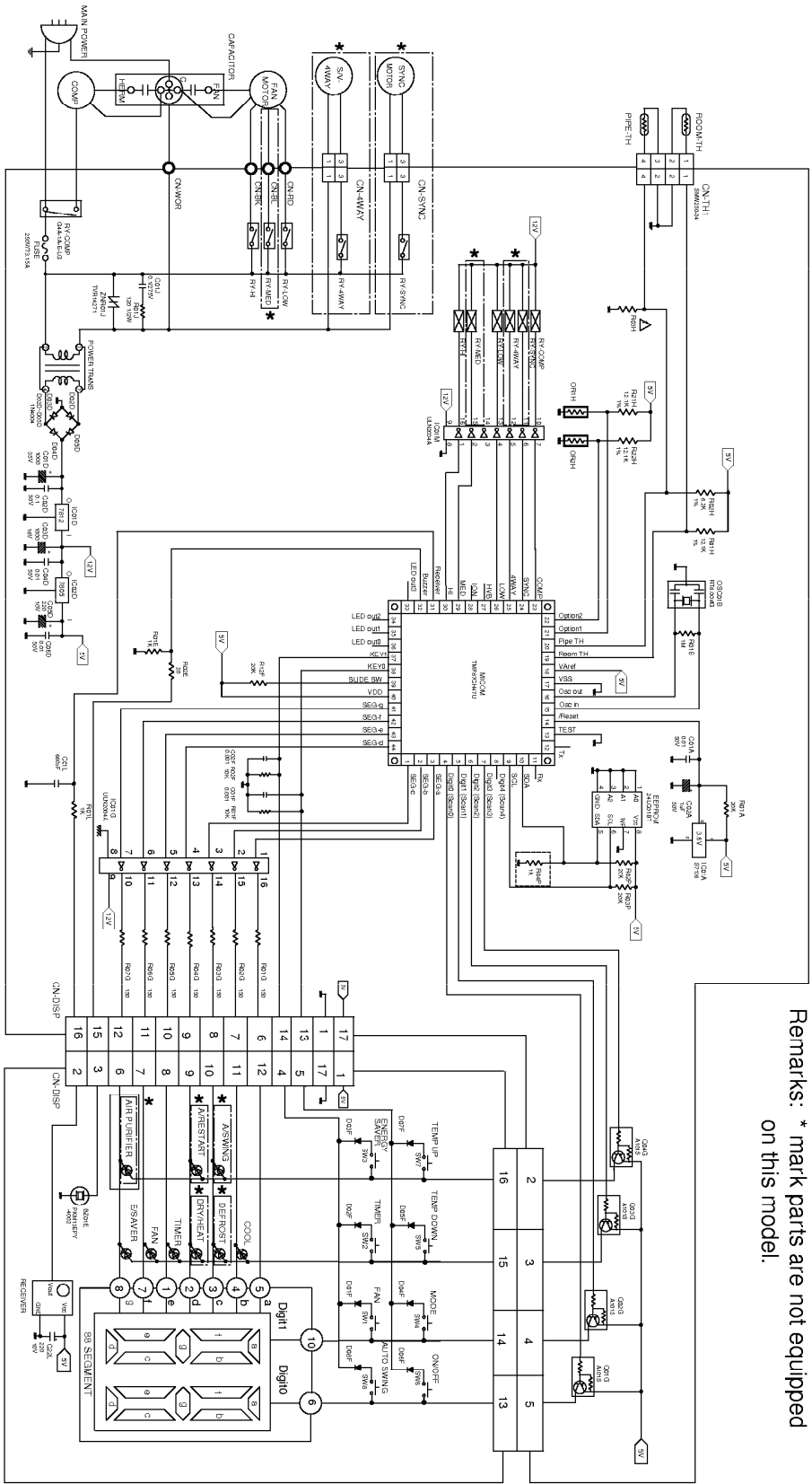
5.1 CIRCUIT DIAGRAM



Remarks: * mark parts are not equipped on this model.

LOCATION NO.	DESCRIPTION	Q'TY PER SET
1	POWER CORD ASSEMBLY	1
2	FAN MOTOR	1
3	COMPRESSOR	1
4	DISPLAY P.C.B ASSEMBLY	1
5	MAIN P.C.B ASSEMBLY	1
6	THERMISTOR	1
7	CAPACITOR	1
8	OVERLOAD PROTECTOR	1

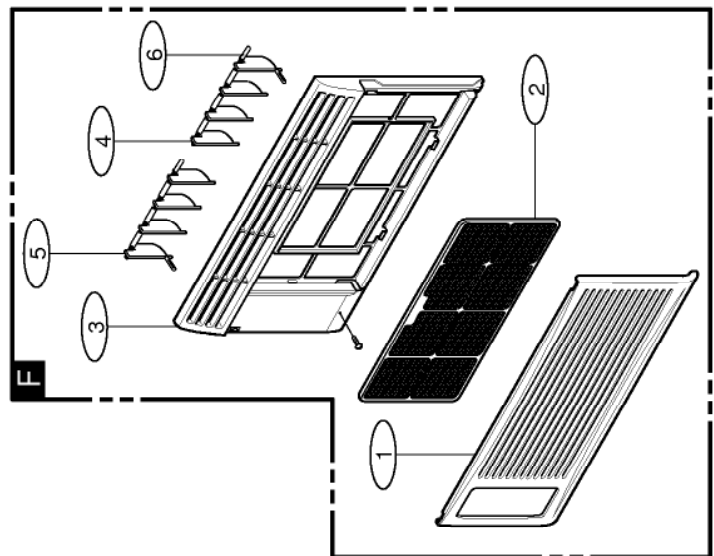
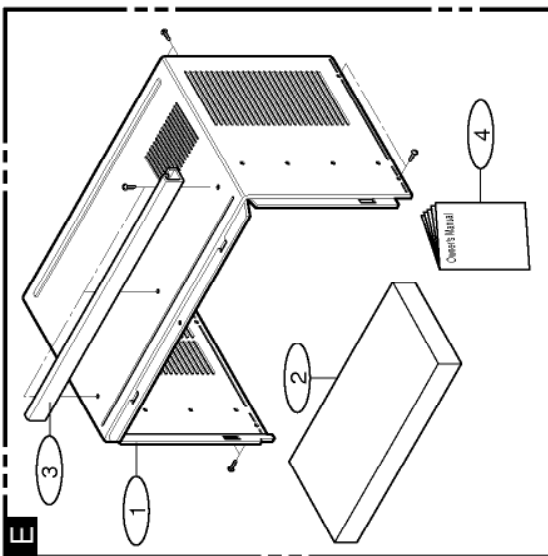
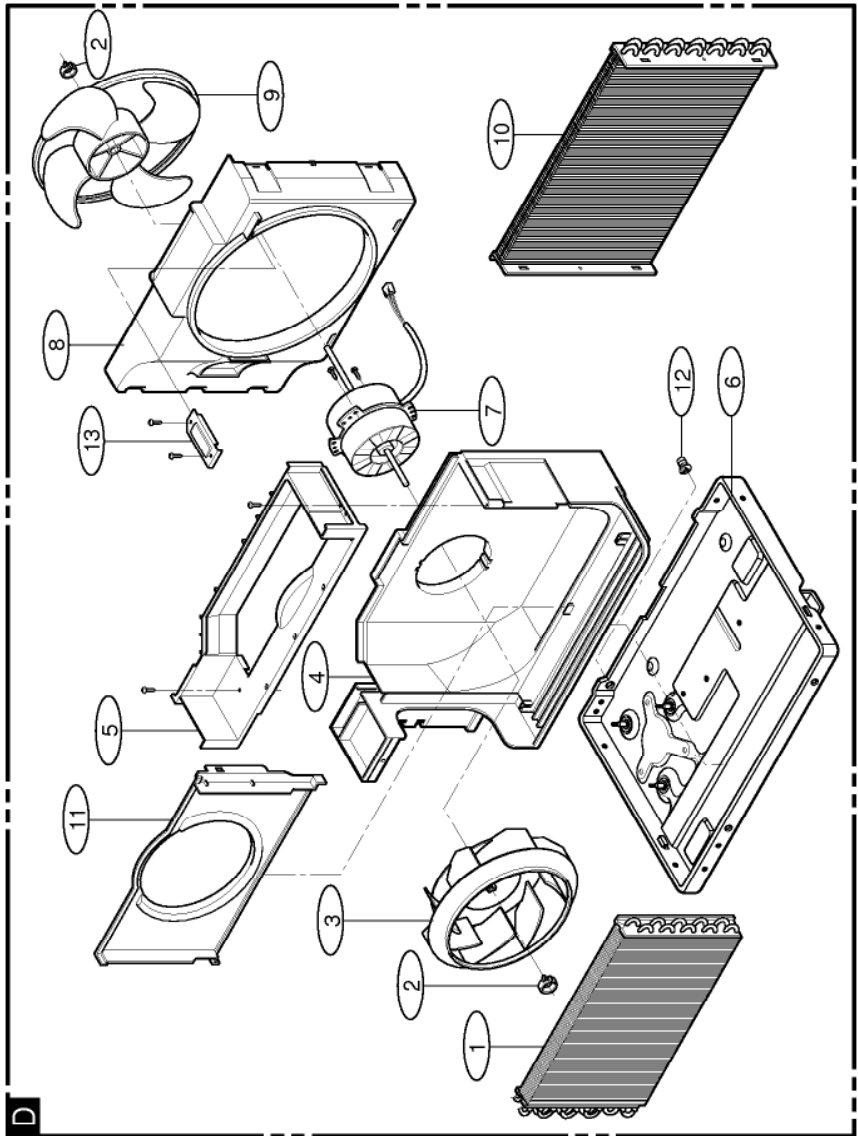
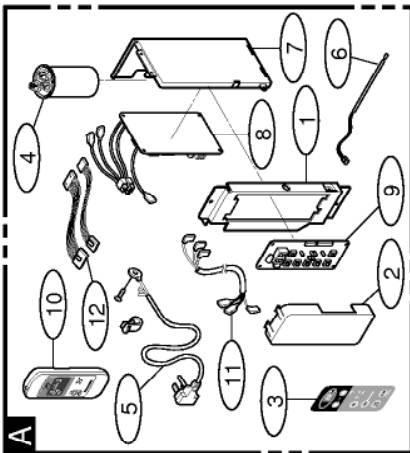
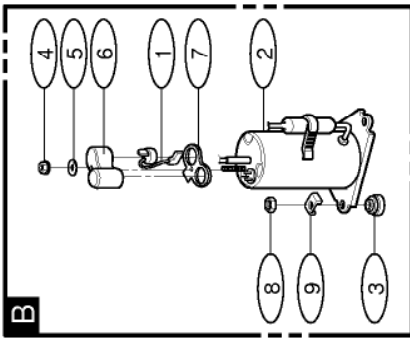
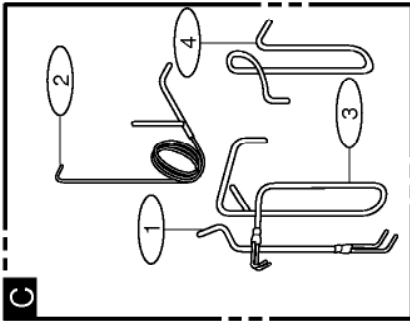
5.2 ELECTRONIC CONTROL DEVICE



Remarks: * mark parts are not equipped on this model.

NOTE
 1 The unit of inductance resistance is ohm (Ω), W, %.
 2 The unit of inductance capacitor is nF, μF.

6. EXPLODED VIEW



7. SERVICE PARTS LIST

R: RECOMMANDABLE PARTS

REF. NO	DESCRIPTION & NAME	Q'TY	CW-XC54HK	CW-XC54HU	REMARKS
A	CONTROL BOX ASSEMBLY	1	CW499520127W	CW499520127V	
A-1	CONTROL BOX, SINGLE	1	CW499420020A	CW499420020A	
A-2	CONTROL PANEL	1	CW372020017A	CW372020017A	
A-3	ESCUTCHEON	1	CW383110001V	CW383110001T	
A-4	CAPACITOR	1	CWL00005	CWL00005	R
A-5	POWER CORD ASSEMBLY	1	CWL00002	CWL00002	
A-6	THERMISTOR	1	CW632320002D	CW632320002D	R
A-7	COVER	1	CW499420021A	CW499420021A	
A-8	MAIN P.C.B ASSEMBLY	1	CW687110070W	CW687110070V	R
A-9	DISPLAY P.C.B ASSEMBLY	1	CW687120193F	CW687120193E	R
A-10	REMOTE CONTROLLER ASSEMBLY	1	CW671190018B	CW671190018B	R
A-11	CONNECTOR ASSEMBLY	1	CW6631R3843R	CW6631R3843R	
A-12	CABLE, FLAT	1	CW685090001H	CW685090001H	
B-1	OVERLOAD PROTECTOR	1	CW675030001U	CW675030001U	R
B-2	COMPRESSOR	1	CW541620014D	CW541620014D	R
B-3	RUBBER,MOUNTING	3	CWL00015	CWL00015	
B-4	NUT,TERMINAL COVER	1	CWL00016	CWL00016	
B-5	GASKET-NUT	1	CWL00017	CWL00017	
B-6	COVER	1	CW355030048A	CW355030048A	
B-7	GASKET	1	CW498630001A	CW498630001A	
B-8	HEXAGON NUT	3	CWL00020	CWL00020	
B-9	BRACKET,WASHER	3	CWL00021	CWL00021	
C-1	TUBE ASSEMBLY,EVAPORATOR	1	CW521110063C	CW521110063C	
C-2	TUBE,CAPILLARY	1	CW5424R3411A	CW5424R3411A	
C-3	TUBE ASSEMBLY,SUCTION	1	CW521110062B	CW521110062B	
C-4	TUBE ASSEMBLY,DISCHARGE	1	CWL00025	CWL00025	
D-1	EVAPORATOR ASSEMBLY	1	CW542120016G	CW542120016G	
D-2	CLAMP SPRING	2	CWL00027	CWL00027	
D-3	FAN,TURBO	1	CW590010005A	CW590010005A	R
D-4	AIR GUIDE	1	CWL00029	CWL00029	
D-5	AIR GUIDE	1	CW523910005B	CW523910005B	
D-6	BASE ASSEMBLY	1	CW304110011E	CW304110011E	

R: RECOMMANDABLE PARTS

REF. NO	DESCRIPTION & NAME	Q'TY	CW-XC54HK	CW-XC54HU	REMARKS
D-7	MOTOR ASSEMBLY	1	CW468110002Q	CW468110002Q	R
D-8	SHROUD	1	CWL00033	CWL00033	
D-9	FAN,PROPELLER	1	CWL00034	CWL00034	R
D-10	CONDENSER ASSEMBLY	1	CW540320009E	CW540320009E	
D-11	ORIFICE	1	CWL00036	CWL00036	
D-12	DRAIN PIPE	1	CWL00037	CWL00037	
D-13	BRACE	1	CWL00071	CWL00071	
E-1	CABINET	1	CW309110020C	CW309110020C	
E-2	INSTALLATION KIT	1	CW312720016B	CW312720016B	R
E-3	GUIDE	1	CWL00040	CWL00040	
E-4	OPERATING INSTRUCTION	1	CW382820391A	CW382820391A	
F	FRONT GRILLE ASSEMBLY	1	CW353110182C	CW353110182C	
F-1	GRILLE,INLET	1	CW353010133A	CW353010133A	
F-2	AIR FILTER	1	CW5231R2148H	CW5231R2148H	
F-3	GRILLE,FRONT	1	CW353010132B	CW353010132B	
F-4	VANE	6	CWL00047	CWL00047	
F-5	VANE	2	CWL00048	CWL00048	
F-6	LINK	2	CWL00049	CWL00049	

