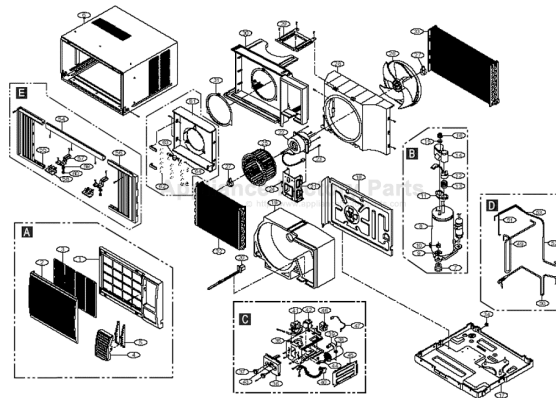


This Owner's Manual is provided and hosted by [Appliance Factory Parts](#).



HAMPTON BAY HBLG120 Owner's Manual

[Shop genuine replacement parts for HAMPTON BAY
HBLG120](#)



[Find Your HAMPTON BAY Air Conditioner Parts - Select From 332 Models](#)

----- Manual continues below -----

3. INSTALLATION

3.1 SELECT THE BEST LOCATION

1. To prevent vibration and noise, make sure the unit is installed securely and firmly.
2. Install the unit where the sunlight does not shine directly on the unit.
3. The outside of the cabinet must extend outward for at least 12" and there should be no obstacles, such as a fence or wall, within 20" from the back of the cabinet because it will prevent heat radiation of the condenser. Restriction of outside air will greatly reduce the cooling efficiency of the air conditioner.

CAUTION
All side louvers of the cabinet must remain exposed to the outside of the structure.

4. Install the unit a little slanted so the back is slightly lower than the front (about 1/2"). This will help force con-densed water to the outside.
5. Install the unit from the bottom about 30"~60" above the floor level.

3.2 CHECK OF INSTALLATION

The setting conditions must be checked prior to initial starting.

The undermentioned items are especially important checking points when the installation is finished.

1. Grounding wire (Green or Green and Yellow) is provided in the power cord. The green wire must be grounded.
2. Connect to a single-outlet 15A circuit. (or 20A circuit for Electric Heater Model)
3. To avoid vibration or noise, make sure the air conditioner is installed securely.
4. Avoid placing furniture or draperies in front of the air inlet and outlet.

3.3. HOW TO DRAIN (When using drain pipe)

The air conditioner must be installed horizontally or tilted slightly to the outside for proper water drainage.

On exceptionally hot and humid days the air conditioner may overflow condensed water. If the air conditioner is used in hot and a high humidity zone, exchange the ㉑ HOLE RUBBER for the ㉒ DRAIN PIPE. (See figure 20, figure 21.)

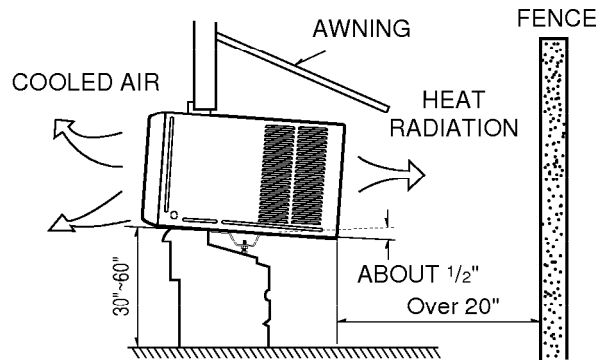


Figure 19

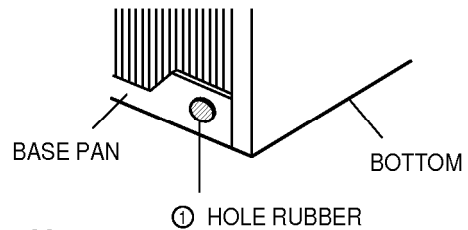


Figure 20

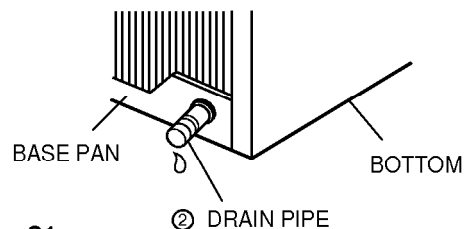
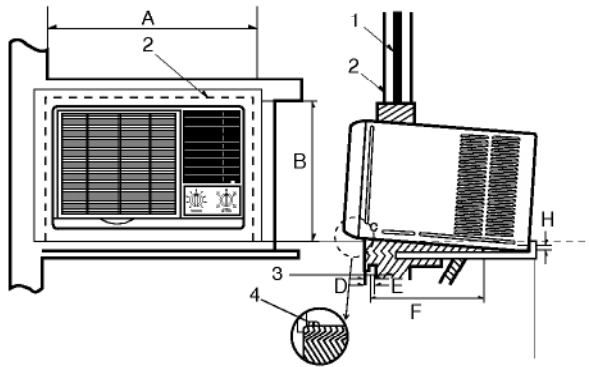


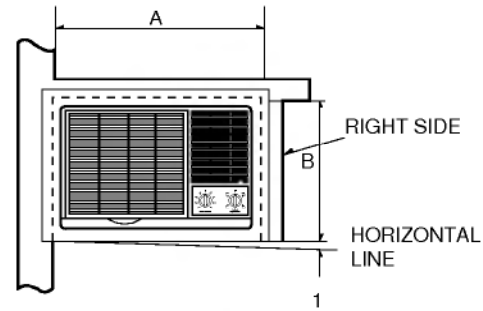
Figure 21

3.4 HOW TO INSTALL

3.4.1 WHEN USING GASKET



- 1. WINDOW (WIDTH-A, HEIGHT-B)
- 2. GASKET
- 3. WALL



- 4. DETAILS 5.1 x 30 ROUND HEAD WOOD SCREWS

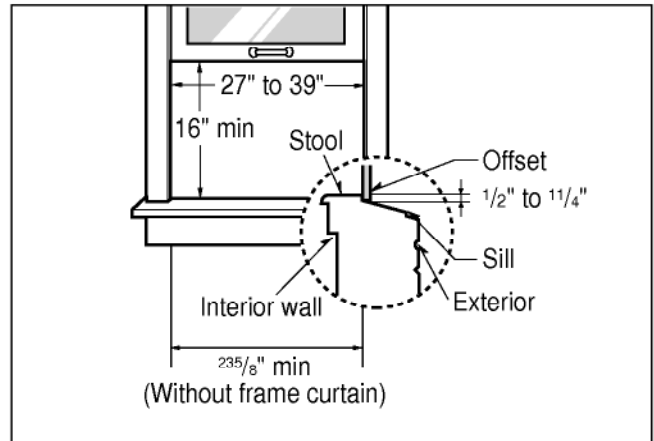
A	B	C	D	E	F	H	I
625mm (24 ⁵ / ₈ "	392mm (15 ⁷ / ₁₆ "	280mm (11 ¹ / ₃₂ "	30mm (1 ¹ / ₁₆ "	0~25mm (0~1")	OVER 420mm (OVER 16 ¹⁷ / ₃₂ "	5~10mm (³ / ₁₆ "~ ³ / ₈ "	-5~5mm (- ³ / ₁₆ "~ ³ / ₁₆ "

3.4.2 WHEN USING INSTALLATION KITS

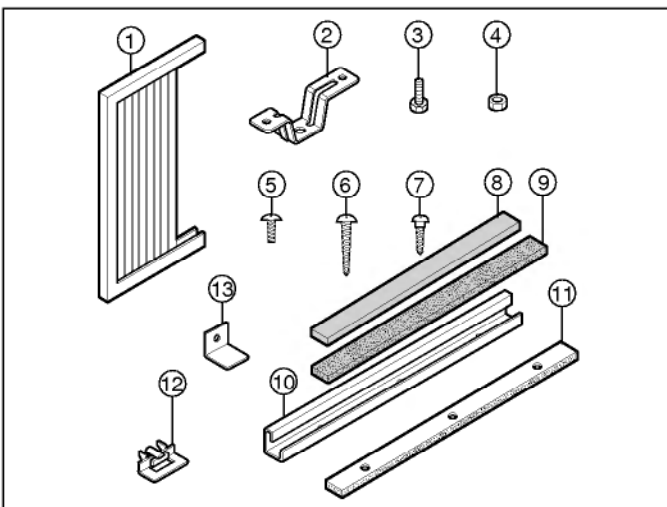
A. WINDOW REQUIREMENTS

This unit is designed for installation in standard double hung windows with actual opening widths from 27" to 39".

The top and bottom window sash must open sufficiently to allow a clear vertical opening of 16" from the bottom of the upper sash to the window stool.



B. INSTALLATION KITS CONTENTS



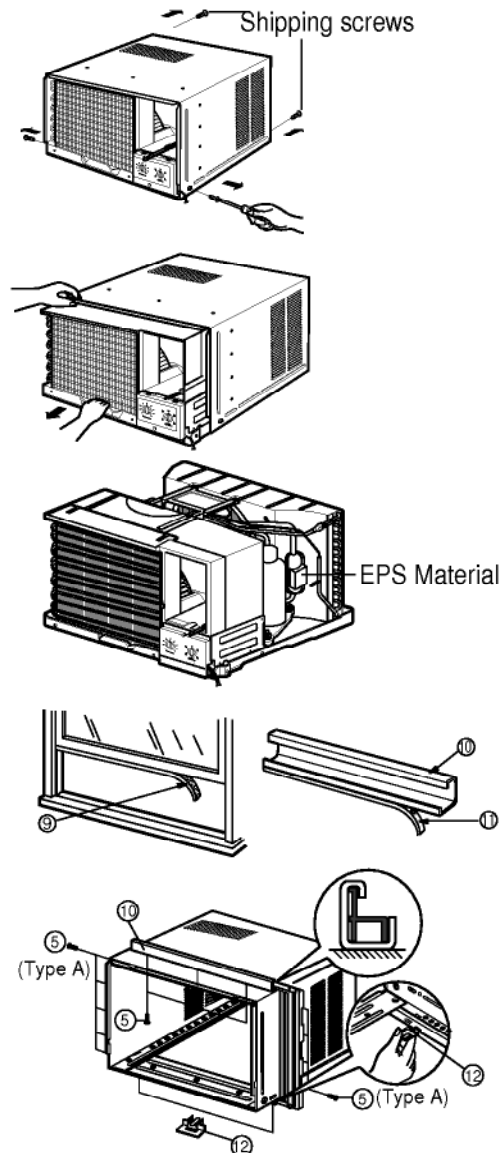
NO.	NAME OF PARTS	Q'TY
1	FRAME CURTAIN	2
2	SILL SUPPORT	2
3	BOLT	2
4	NUT	2
5	SCREW(TYPE A)	16
6	SCREW(TYPE B)	3
7	SCREW(TYPE C)	5
8	FOAM-STRIP	1
9	FOAM-PE	1
10	UPPER GUIDE	1
11	FOAM-PE	1
12	FRAME GUIDE	2
13	WINDOW LOCKING BRACKET	1

SUGGESTED TOOL REQUIREMENTS

SCREWDRIVER(+, -), RULER, KNIFE, HAMMER, PENCIL, LEVEL

PREPARATION OF CHASSIS

1. Remove the screws which fasten the cabinet at both sides and at the back.
2. Slide the unit out from the cabinet by gripping the base pan handle and pulling forward while bracing the cabinet.
3. Remove EPS Material.
4. Cut the window sash seal to the proper length. Peel off the backing and attach the foam-pe to the underside of the window sash.
5. Remove the backing from the top upper guide Foam PE and attach it to the bottom of the upper guide.
6. Attach the upper guide onto the top of the cabinet with 3 type A screws.
7. Insert the frame guides into the bottom of the cabinet.
8. Insert the Frame Curtain into the upper guide and frame guides.
9. Fasten the curtains to the unit with 4 Type A screws at the both sides.

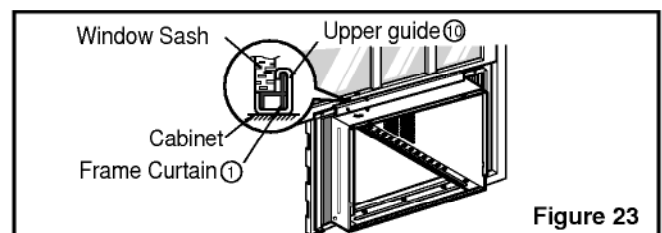
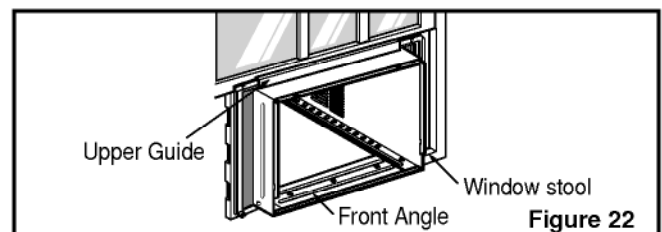


CABINET INSTALLATION

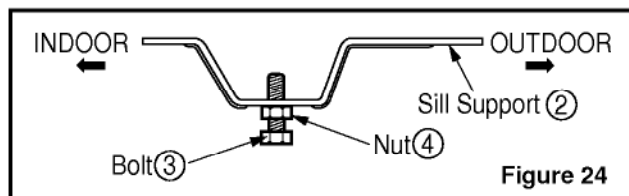
1. Open the window. Mark a line on center of the window stool(or desired air conditioner location). Carefully place the cabinet on the window stool and align the center mark on the bottom front with the center line marked in the window stool.
2. Pull the bottom window sash down behind the upper guide until it meets.

NOTE:

- Do not pull the window sash down so tightly that the movement of Frame Curtain is restricted.



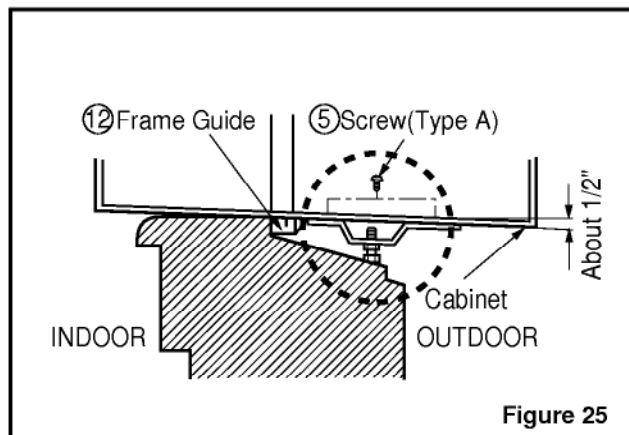
3. Loosely assemble the sill support using the parts in Figure 24.



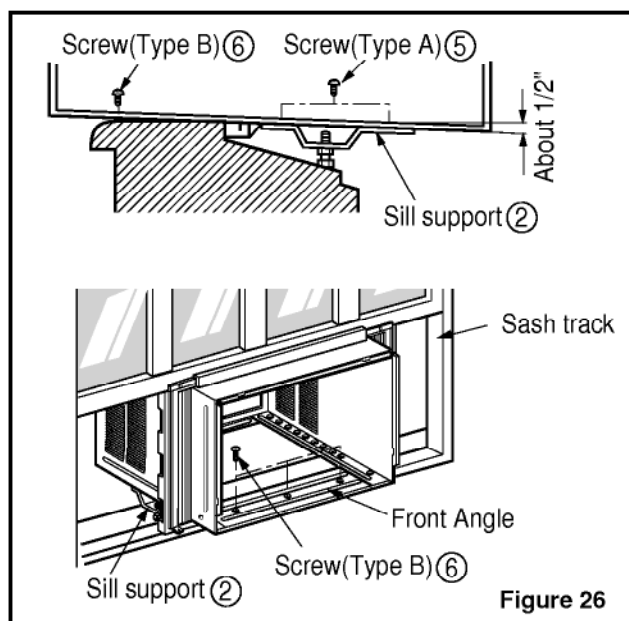
4. Select the position that will place the sill support near the outer most point on sill (See Figure 24)

NOTE: Be careful when you install the cabinet (frame guides ✕ are broken easily).

5. Attach the sill support to the cabinet track hole in relation to the selected position using 2 Type A screws in each support (See Figure 25).



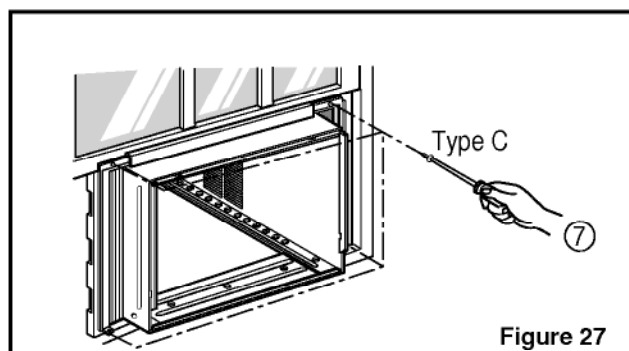
6. The cabinet should be installed with a very **slight tilt (about 1/2") downward** toward the outside (See Figure 26).
Adjust the bolt and the nut of sill support for balancing the cabinet.



7. Attach the cabinet to the window stool by driving the screws ✕ (Type B: Length sixteen millimeters and below.) through the front angle into window stool (5/8").

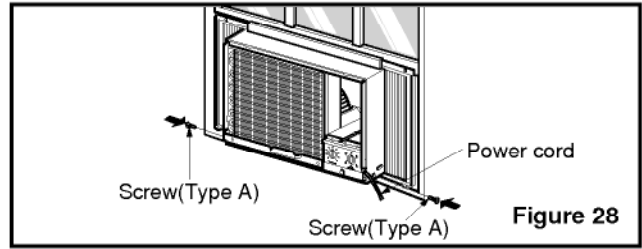
8. Pull each Frame curtain properly to each window sash track, and repeat step 2.

9. Attach each Frame curtain to the window sash by using screws ✕ (Type C). (See Figure 27)

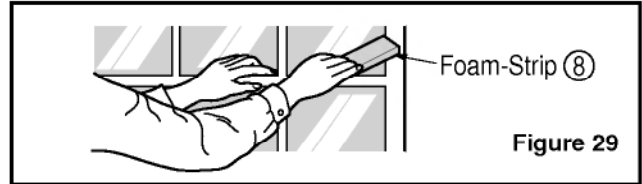


10. Slide the unit into the cabinet.(See Fig. 28)

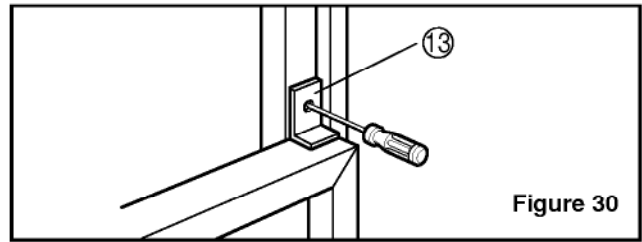
CAUTION: For security purpose, reinstall screws(Type A) at the cabinet's sides.



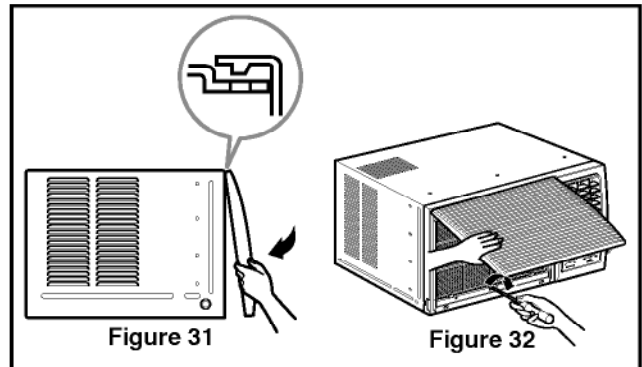
11. Cut the foam-strip α to the proper length and insert between the upper and lower window sash. (See Fig. 29)



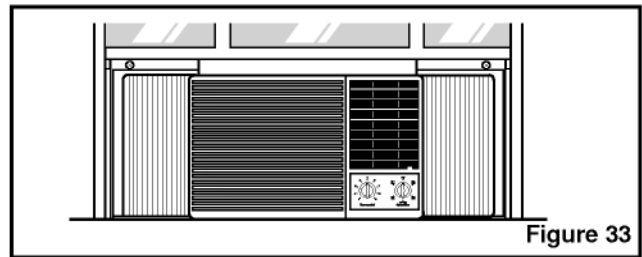
12. Attach the window locking bracket α with a type C screw. (See Fig. 30)



13. Attach the front grille to the cabinet by inserting the tabs on the grille into the tabs on the front of the cabinet. Push the grille in until it snaps into place.(See Fig. 31)



14. Lift the inlet grille and secure it with a type A screw through the front grille.(See Fig. 32)



4. TROUBLESHOOTING GUIDE

4.1 OUTSIDE DIMENSIONS

unit: mm(inch)

