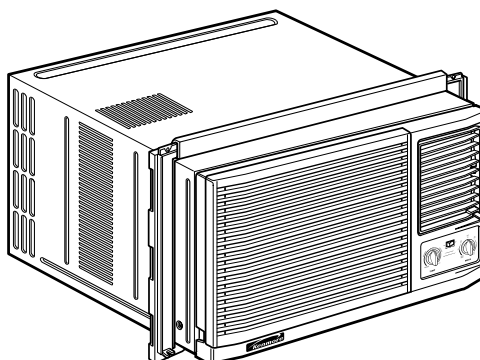


SEARS

Kenmore[®]
ROOM AIR CONDITIONER

REPAIR PARTS LIST

Model No.
580.72187300



To Call
Toll Free
For Parts:

1-800-366-PART
(1-800-366-7278)

For Service:

1-800-4-MY-HOME
(1-800-469-4663)

The model number of your Air Conditioner can be found on the right side of the cabinet.

All repair parts listed are available for immediate purchase or special order when you visit your nearest Sears Service Center, or the Service Department at most Sears stores. To order parts by phone, call the toll free parts number listed to the left.

When requesting service or ordering parts, always provide the following information:

- ◆ Product Type
- ◆ Part Number
- ◆ Model Number
- ◆ Part Description

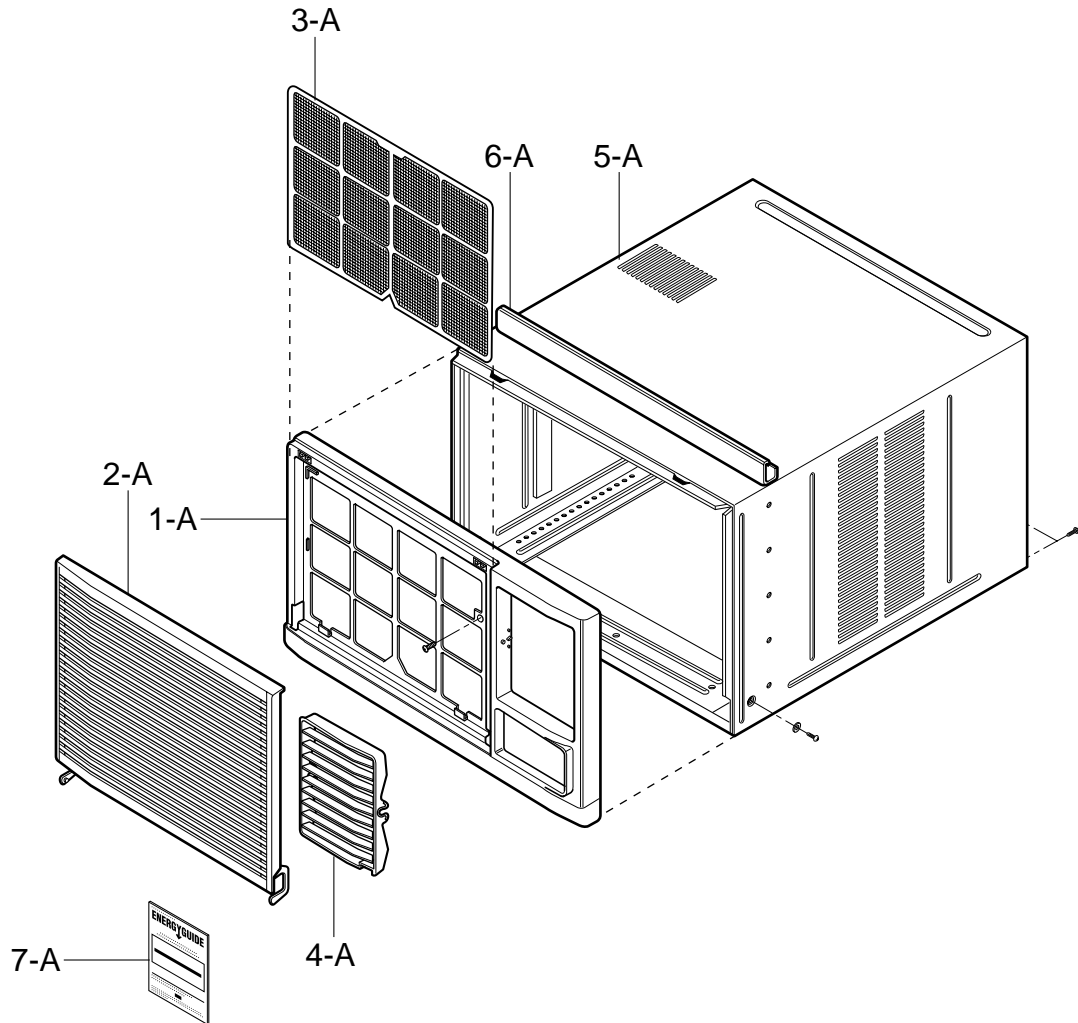
REPAIR PARTS

Room Air Conditioner
Model No. 580.72187300

To order Parts call Toll Free
1-800-4-MY-HOME®(1-800-469-4663)

CAUTION: Use the Kenmore part number on all orders, **not** the illustration number.

CABINET & FRONT GRILLE ASSEMBLY



CAUTION: Use the Kenmore part number on all orders, **not** the illustration number.

CABINET & FRONT GRILLE ASSEMBLY

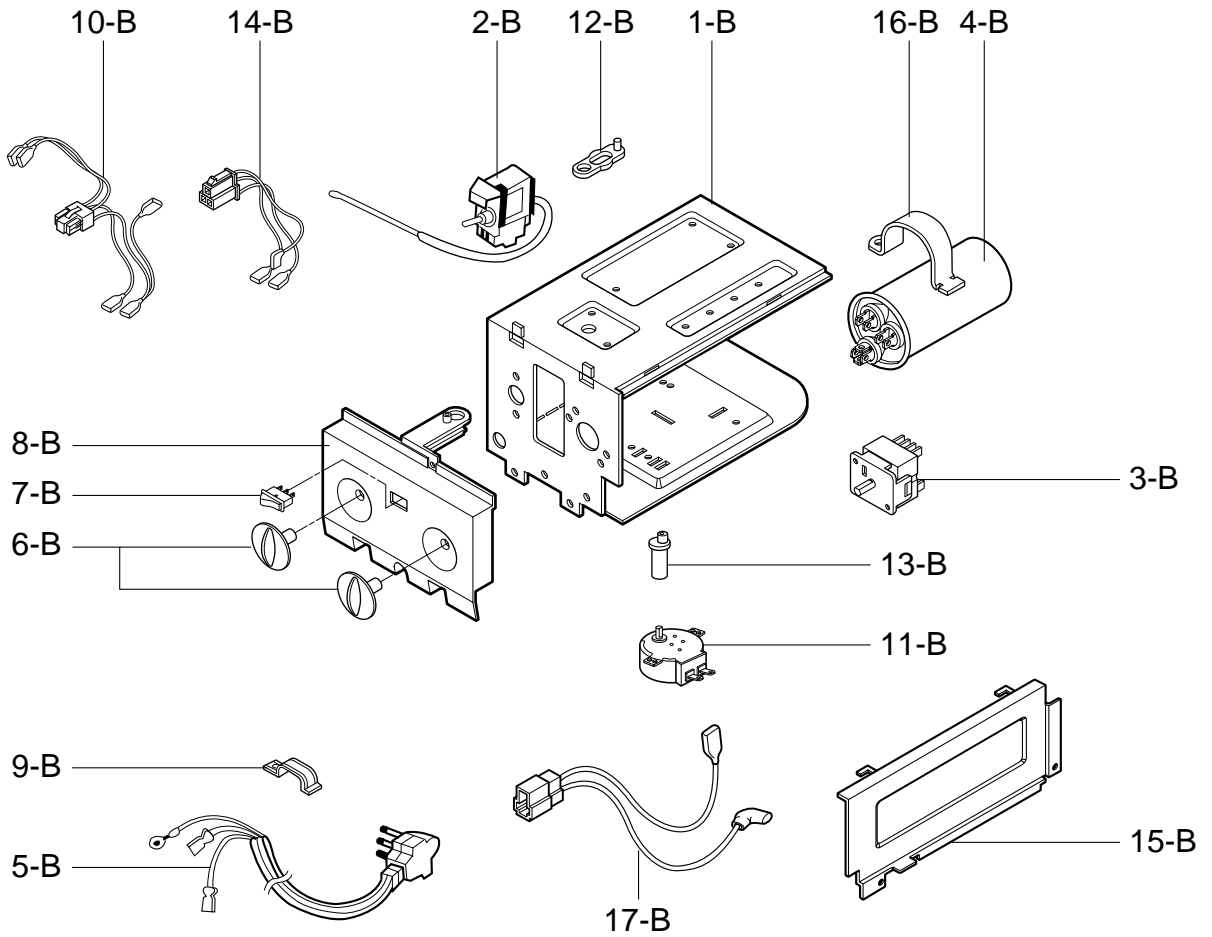
ILLUSTRATION NUMBER	PART NUMBER	DESCRIPTION
1 - A	3530AR1182A	FRONT GRILLE
2 - A	3530AR1531A	INLET GRILLE
3 - A	5230AR1327A	AIR FILTER ASSEMBLY
4 - A	5990AR2972C	VANE
5 - A	3091AR6057C	CABINET ASSEMBLY
6 - A	2H00858E	UPPER GUIDE
7 - A	3850A20423G	LABEL, ENERGY
*	3828A20292K	MANUAL OWNER'S
*	3828A30032T	MANUAL SERVICE

= Functional Parts

* = Non-illustrated Parts

CAUTION: Use the Kenmore part number on all orders, not the illustration number.

CONTROL BOX ASSEMBLY



CAUTION: Use the Kenmore part number on all orders, **not** the illustration number.

CONTROL BOX ASSEMBLY

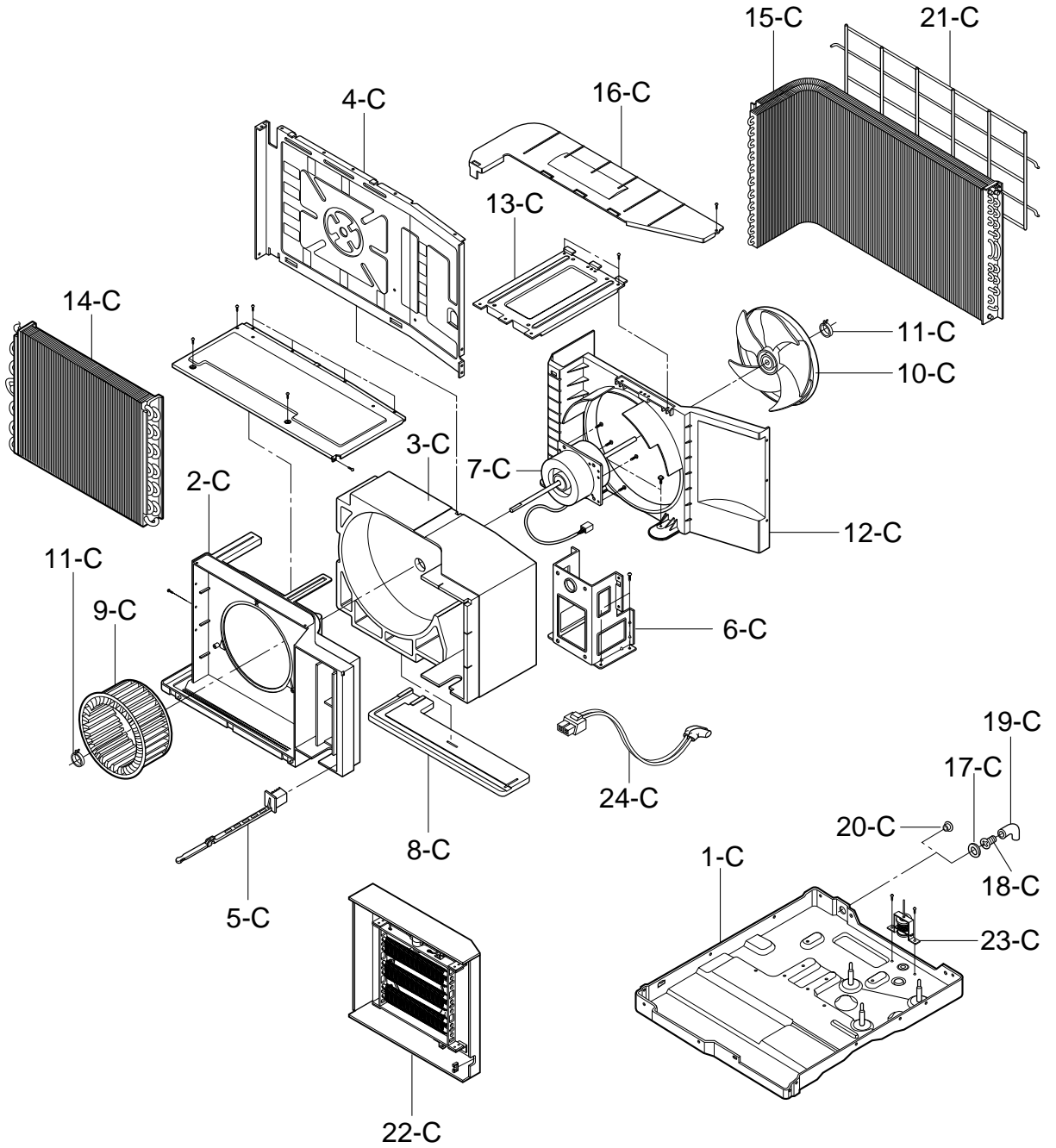
ILLUSTRATION NUMBER	PART NUMBER	DESCRIPTION
1 - B #	4994AR1587A	CONTROL BOX
2 - B	2H01127B	THERMOSTAT
3 - B	2H00598F	ROTARY SWITCH
4 - B	6120AR2359E	SH CAPACITOR
5 - B #	2H00677U	POWER CORD ASSEMBLY
6 - B	4941AR7134C	KNOB ASS'Y
7 - B	2H01316C	ROCKER SWITCH
8 - B	3721A20058K	PANEL, CONTROL
9 - B	4004AR4357A	CLIP CORD
10 - B	6631AR2687P	CONNECTOR ASSEMBLY
11 - B	2H01102A	SYNCHRONOUS MOTOR
12 - B	4520AR4386A	LINK
13 - B	4520AR4339A	CAM
14 - B	6877A20002A	CONNECTOR ASSEMBLY
15 - B	3551A30015A	COVER, CONTROL BOX
16 - B	4H00442F	CLAMP, CAPACITOR
17 - B	3661AR6149C	HOUSING ASSEMBLY(MECH)

= Functional Parts

* = Non-illustrated Parts

CAUTION: Use the Kenmore part number on all orders, not the illustration number.

AIR HANDLING & CYCLE PARTS



CAUTION: Use the Kenmore part number on all orders, **not** the illustration number.

AIR HANDLING & CYCLE PARTS

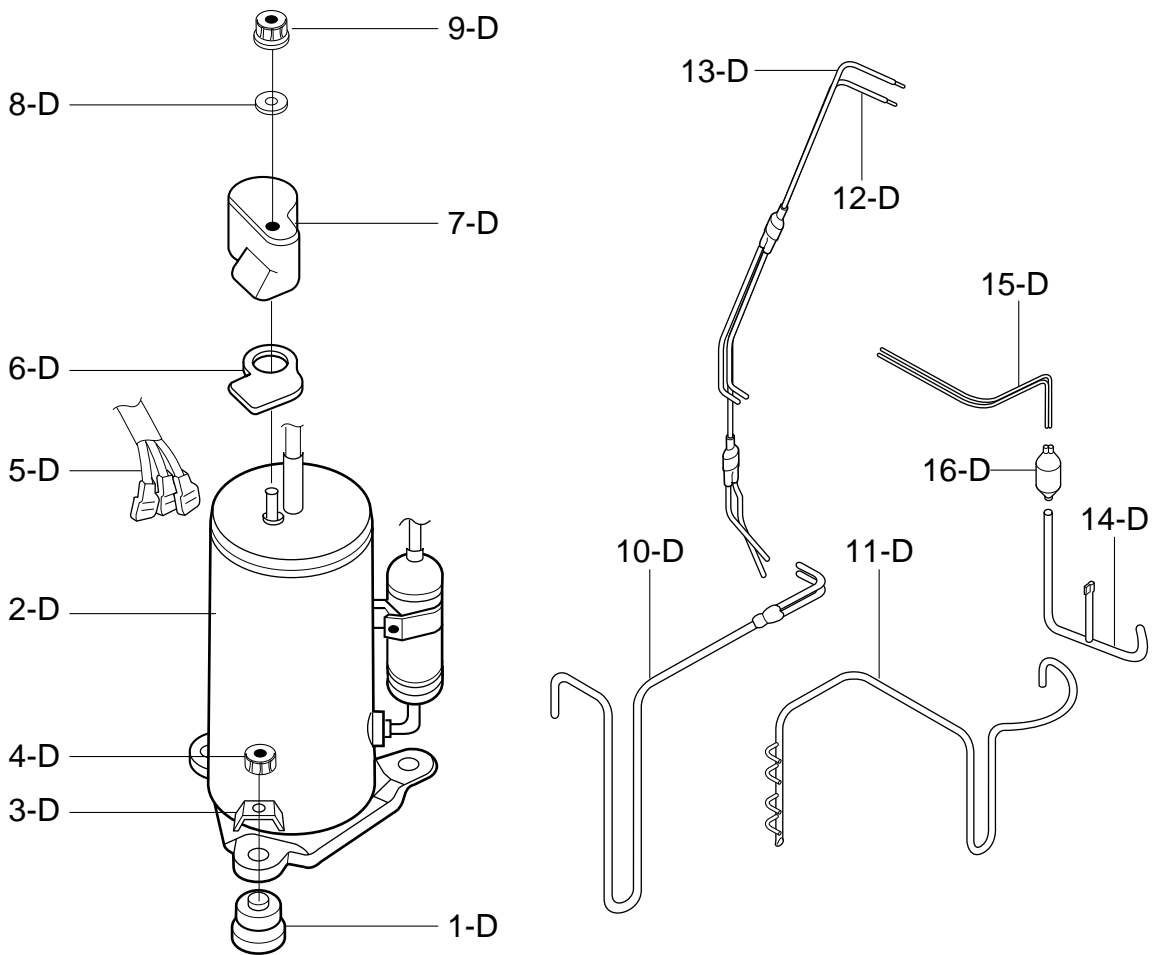
ILLUSTRATION NUMBER	PART NUMBER	DESCRIPTION
1 - C	3041A30002Y	BASE PAN WELD ASSEMBLY
2 - C	5238AR1584B	AIR GUIDE
3 - C	3072AR1583A	SCROLL
4 - C	4790AR1558A	BARRIER
5 - C	4900AR7265A	DAMPER
6 - C	4960AR1596A	MOTOR MOUNT
7 - C #	4681AR6033K	MOTOR ASSEMBLY
8 - C	3040AR6160A	INSULATION, EPS
9 - C #	5834AR1599B	BLOWER
10 - C #	5900AR1508A	FAN
11 - C	3H02932C	CLAMP SPRING
12 - C	4998AR1597A	SHROUD
13 - C	4800AR7272A	BRACE
14 - C #	5421A20059F	EVAPORATOR ASSEMBLY
15 - C #	5403A20004F	CONDENSER ASSEMBLY
16 - C	3550AR6173A	COVER, SHROUD
17 - C	4H01029F	WASHER RUBBER
18 - C	3H02773A	DRAIN PIPE
19 - C	4H00261A	PIPE ELBOW
20 - C	4H02023A	HOLE RUBBER
21 - C	3530A20042D	GRILLE, REAR
22 - C	5301A30001B	ELECTRIC HEATER ASSEMBLY
23 - C	5220A30006A	DRAIN VALVE
24 - C	3661A20014B	HOUSING ASSEMBLY(MECH)

= Functional Parts

* = Non-illustrated Parts

CAUTION: Use the Kenmore part number on all orders, **not** the illustration number.

COMPRESSOR PARTS



CAUTION: Use the Kenmore part number on all orders, **not** the illustration number.

COMPRESSOR PARTS

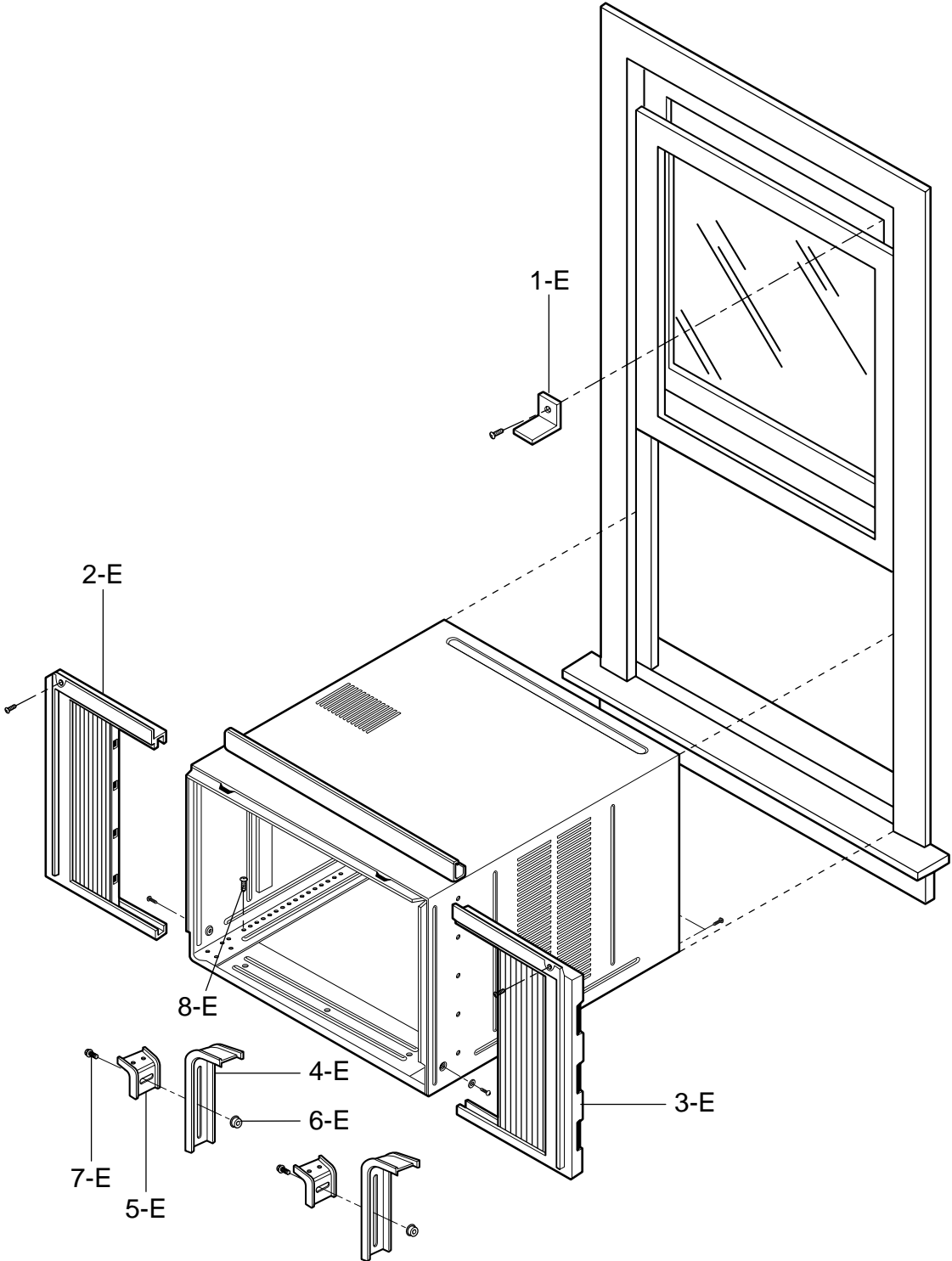
ILLUSTRATION NUMBER	PART NUMBER	DESCRIPTION
1 - D	4H00982C	ANTI-VIBRATION BUSHING
2 - D #	5416A20003J	COMPRESSOR ASSEMBLY
3 - D	4H01811C	BRACKET, WASHER
4 - D	1NHA0801206	HEXAGON NUTS
5 - D	6877A20002B	CONNECTOR ASSEMBLY
6 - D	4986U-L001D	GASKET
7 - D	3550U-L002C	TERMINAL COVER
8 - D	4H01058A	GASKET NUT
9 - D	4H00947A	TERMINAL COVER NUT
10 - D	5211A30066K	TUBE ASSEMBLY, DISCHARGE
11 - D	5211A20204C	TUBE ASSEMBLY SUCTION
12 - D	5211A20433B	TUBE ASSEMBLY, EVA IN
13 - D	5211A20434B	TUBE ASSEMBLY, EVA IN
14 - D	5211AR7059W	TUBE CONNECTION, COND. OUT
15 - D	5211A20020P	TUBE, CAPILLARY
16 - D	5851A30001F	DRIER, ASSEMBLY

= Functional Parts

* = Non-illustrated Parts

CAUTION: Use the Kenmore part number on all orders, not the illustration number.

INSTALLATION KIT ASSEMBLY



CAUTION: Use the Kenmore part number on all orders, **not** the illustration number.

INSTALLATION KIT ASSEMBLY

ILLUSTRATION NUMBER	PART NUMBER	DESCRIPTION
1 - E	4H01785B	L BRACKET
2 - E	4959AR3402E	CURTAIN ASSEMBLY
3 - E	4959AR3402F	CURTAIN ASSEMBLY
4 - E	3H01479D	SUPPORT BRACKET
5 - E	3H01395C	SILL BRACKET
6 - E	4H01516A	LOCK NUT
7 - E	4H01483A	CARRIAGE BOLT
8 - E	4H01482A	M-SCREW

= Functional Parts

* = Non-illustrated Parts

Get it fixed, at your home or ours!

Your Home

For repair – **in your home** – of **all** major brand appliances, lawn and garden equipment, or heating and cooling systems, **no matter who made it, no matter who sold it!**

For the replacement parts, accessories and owner's manuals that you need to do-it-yourself.

For Sears professional installation of home appliances and items like garage door openers and water heaters.

1-800-4-MY-HOME® (1-800-469-4663)

Call anytime, day or night (U.S.A. and Canada)

www.sears.com www.sears.ca

Our Home

For repair of carry-in items like vacuums, lawn equipment, and electronics, call or go on-line for the location of your nearest **Sears Parts & Repair Center.**

1-800-488-1222

Call anytime, day or night (U.S.A. only)

www.sears.com

To purchase a protection agreement(U.S.A.) or maintenance agreement(Canada) on a product serviced by Sears:

1-800-827-6655 (U.S.A.)

1-800-361-6665 (Canada)

Para pedir servicio de reparación a domicilio, y para ordenar piezas:

1-888-SU-HOGARSM
(1-888-784-6427)

Au Canada pour service en français:

1-800-LE-FOYER^{MC}
(1-800-533-6937)
www.sears.ca

SEARS