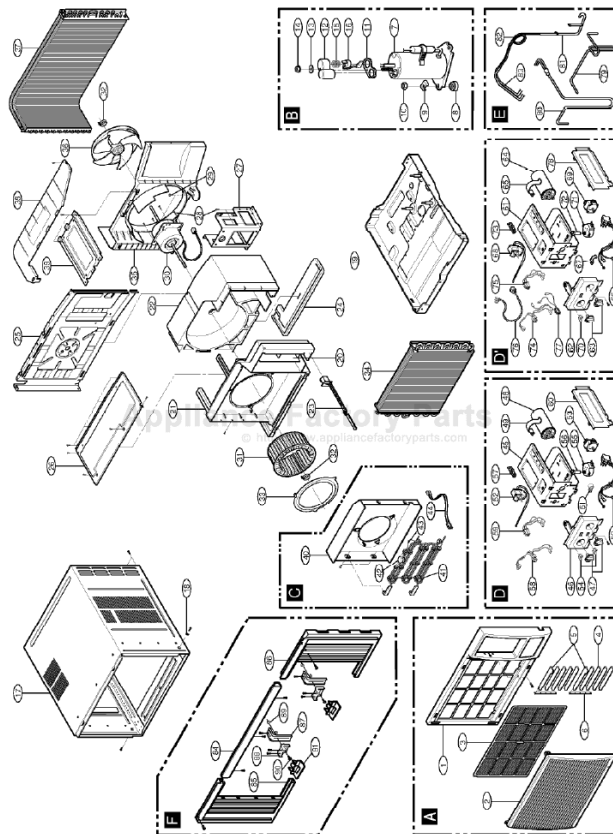


This Owner's Manual is provided and hosted by [Appliance Factory Parts](http://Appliance Factory Parts).



# HAMPTON BAY HBLG18H Owner's Manual

[Shop genuine replacement parts for HAMPTON BAY  
HBLG18H](#)



[Find Your HAMPTON BAY Air Conditioner Parts - Select From 332 Models](#)

----- Manual continues below -----

# CONTENTS

## 1. PREFACE

1.1 SAFETY PRECAUTIONS .....	2
1.2 INSULATION RESISTANCE TEST.....	2
1.3 SPECIFICATIONS .....	3
1.4 FEATURES .....	5
1.5 CONTROL LOCATIONS.....	5

## 2. DISASSEMBLY INSTRUCTIONS

2.1 MECHANICAL PARTS.....	7
2.1.1 FRONT GRILLE .....	7
2.1.2 CABINET.....	7
2.1.3 CONTROL BOX .....	7
2.2 AIR HANDLING PARTS.....	8
2.2.1 COVER (AT THE TOP).....	8
2.2.2 BLOWER.....	8
2.2.3 FAN .....	9
2.2.4 SHROUD.....	9
2.3 ELECTRICAL PARTS .....	9
2.3.1 MOTOR.....	9
2.3.2 COMPRESSOR .....	9
2.3.3 CAPACITOR .....	10
2.3.4 POWER CORD .....	10
2.3.5 THERMOSTAT .....	10
2.3.6 ROTARY SWITCH .....	11
2.3.7 SYNCHRONOUS MOTOR .....	11

2.4 REFRIGERATION CYCLE.....	12
2.4.1 CONDENSER .....	12
2.4.2 EVAPORATOR .....	12
2.4.3 CAPILLARY TUBE.....	12

## 3. INSTALLATION

3.1 HOW TO INSTALL THE UNIT .....	15
3.2 HOW TO USE THE REVERSIBLE INLET GRILLE.....	15
3.3 WINDOW REQUIREMENTS.....	16
3.4 INSTALLATION KITS CONTENTS.....	16
3.5 SUGGESTED TOOL REQUIREMENTS.....	17
3.5.1 PREPARATION OF CHASSIS.....	17
3.6 CABINET INSTALLATION .....	18

## 4. TROUBLESHOOTING GUIDE

4.1 OUTSIDE DIMENSIONS.....	20
4.2 PIPING SYSTEM .....	20
4.3 TROUBLESHOOTING GUIDE.....	21

## 5. SCHEMATIC DIAGRAM

5.1 CIRCUIT DIAGRAM .....	26
---------------------------	----

## 6. EXPLODED VIEW .....

## 7. REPLACEMENT PARTS LIST .....

## 1. PREFACE

This SERVICE MANUAL provides various service information, including the mechanical and electrical parts etc. This room air conditioner was manufactured and assembled under a strict quality control system. The refrigerant is charged at the factory. Be sure to read the safety precautions prior to servicing the unit.

### 1.1 SAFETY PRECAUTIONS

1. When servicing the unit, set the ROTARY SWITCH or POWER SWITCH to OFF and unplug the power cord.
2. Observe the original lead dress.  
If a short circuit is found, replace all parts which have been overheated or damaged by the short circuit.
3. After servicing the unit, make an insulation resistance test to protect the customer from being exposed to shock hazards.

### 1.2 INSULATION RESISTANCE TEST

1. Unplug the power cord and connect a jumper between 2 pins (black and white).
2. The grounding conductor (green or green & yellow) is to be open.
3. Measure the resistance value with an ohm meter between the jumpered lead and each exposed metallic part on the equipment at all the positions (except OFF or O) of the ROTARY SWITCH.
4. The value should be over 1M $\Omega$ .

## 1.3 SPECIFICATIONS

### 1.3.1 FOR HBLG140(LWM1411BCG)/HBLG180(LWM1833BCG)

ITEMS		MODELS		REMARK
		HBLG140(LWM1411BCG)	HBLG180(LWM1833BCG)	
POWER SUPPLY		1Ø, 115V, 60Hz	1Ø, 208/230V, 60Hz	
COOLING CAPACITY (Btu/h)		14,000	17,500/ 18,000	
INPUT (W)		1,380	1,800/ 1,850	
RUNNING CURRENT (A)		12.0	9.0/ 8.3	
REFRIGERANT (R-22) CHARGE(g)		680(24.0 OZ)	800(28.2 OZ)	
OPERATING TEMPERATURE	INDOOR (°C)	26.7(DB) 19.4(WB)		
	OUTDOOR (°C)	35(DB) 23.9(WB)		
EVAPORATOR		3 ROW 15 STACKS		LOUVERED-FIN TYPE
CONDENSER		2 ROW 19 STACKS, L-BENDED TYPE		
FAN, INDOOR		BLOWER		
FAN, OUTDOOR		PROPELLER TYPE FAN WITH SLINGER-RING		
FAN SPEEDS, FAN/COOLING		2/3		
FAN MOTOR		6 POLES		
OPERATION CONTROL		ROTARY SWITCH		
ROOM TEMP. CONTROL		THERMOSTAT		
AIR DIRECTION CONTROL		VERTICAL LOUVER(RIGHT & LEFT)		
		HORIZONTAL LOUVER(UP & DOWN)		
CONSTRUCTION		SLIDE IN-OUT CHASSIS		
PROTECTOR	COMPRESSOR	EXTERNAL OVERLOAD PROTECTOR	INTERNAL OVERLOAD PROTECTOR	
	FAN MOTOR	INTERNAL THERMAL PROTECTOR		
POWER CORD		1.8m(3WIRE WITH GROUNDING)	1.6m (3 WIRE WITH GROUNDING)	
		ATTACHMENT PLUG(CORD-CONNECTED TYPE)		
DRAIN SYSTEM		DRAIN PIPE OR SPLASHED BY FAN SLINGER		
NET WEIGHT (lbs/kg)		117/53	120/54	
OUTSIDE DIMENSION (W x H x D)		(inch)	26 x 16 <sup>27/32</sup> x 26 <sup>9/16</sup>	
		(mm)	660 x 428 x 675	

### 1.3.2 FOR HBLG18H(LWM1830BXG)

ITEMS		MODELS	HBLG18H(LWM1830BXG)	REMARK
POWER SUPPLY			1Ø, 208/ 230V, 60Hz	
COOLING	CAPACITY (Btu/h)		17,500/ 18,000	
	INPUT (W)		1,940/ 2,000	
	RUNNING CURRENT (A)		9.6/ 9.0	
	E.E.R. (Btu/W.h)		9.0	
HEATING	CAPACITY (Btu/h)		9,800/ 12,000	
	INPUT (W)		3,100/ 3,670	
	RUNNING CURRENT (A)		15.0/ 16.0	
OPERATING TEMPERATURE	COOLING	INDOOR (°C)	26.7 (DB) 19.4 (WB)	
		OUTDOOR (°C)	35 (DB) 23.9 (WB)	
	HEATING	INDOOR (°C)	21.1 (DB) 15.6 (WB)	
		OUTDOOR (°C)	8.3 (DB) 6.1 (WB)	
REFRIGERANT (R-22) CHARGE(g)			740 (26.1 OZ)	
EVAPORATOR			3 ROW 15 STACKS	LOUVERED-FIN TYPE
CONDENSER			2 ROW 19 STACKS, L-BENDED TYPE	
FAN, INDOOR			BLOWER	
FAN, OUTDOOR			PROPELLER TYPE FAN WITH SLINGER-RING	
FAN SPEEDS (FAN/COOLING/HEATING)			1/ 2/ 2	
FAN MOTOR			6 POLES	
OPERATION CONTROL			ROTARY SWITCH	
ROOM TEMP. CONTROL			THERMOSTAT	
AIR DIRECTION CONTROL			VERTICAL LOUVER (RIGHT & LEFT)	
			HORIZONTAL LOUVER (UP & DOWN)	
CONSTRUCTION			SLIDE IN-OUT CHASSIS	
ELECTRIC HEATER			3.5 KW, 230V	
PROTECTOR	COMPRESSOR		INTERNAL OVERLOAD PROTECTOR	
	FAN MOTOR		INTERANL THERMAL PROTECTOR	
	ELECTRIC HEATER		FUSE LINK, BIMETAL THERMOSTAT	
POWER CORD			1.6m (3 WIRE WITH GROUDING)	
			ATTACHMENT PLUG (CORD-CONNECTED TYPE)	
DRAIN SYSTEM			DRAIN PIPE OR SPLASHED BY FAN SLINGER	
NET WEIGHT (lbs/kg)			123/ 56	
OUTSIDE DIMENSION (W x H x D)		(inch)	26 x 16 <sup>27/32</sup> x 26 <sup>9/16</sup>	
		(mm)	660 x 428 x 675	

## 1.4 FEATURES

- Designed for cooling only.
- Powerful and quiet cooling.
- Slide-in and slide-out chassis for the simple installation and service.
- Reversible inlet grille.

- Side air-intake, side cooled-air discharge.
- Built in adjustable THERMOSTAT.
- Washable one-touch filter.
- Compact size.

## 1.5 CONTROL LOCATIONS

### 1.5.1 COOLING ONLY MODEL

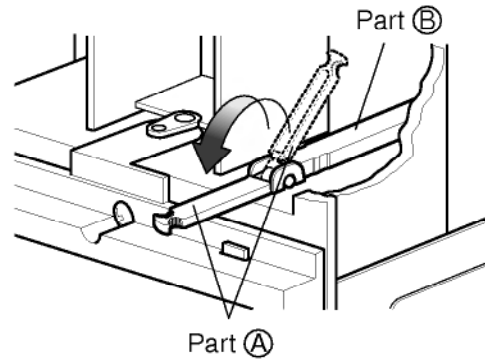
#### • VENTILATION

The ventilation lever must be in the CLOSE position in order to maintain the best cooling conditions.

When a fresh air is necessary in the room, set the ventilation lever to the OPEN position.

The damper is opened and room air is exhausted.

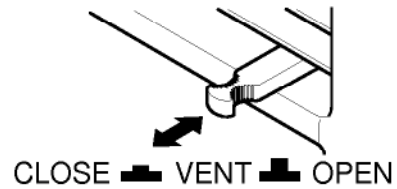
**NOTE:** Before using the ventilation feature, make the lever, as shown. First, pull down part ① to horizontal line with part ②.



#### • THERMOSTAT

Thermostat will automatically control the temperature of the room. Select the higher number for the lower temperature of the room. The temperature is selected by positioning the knob to the desired position.

The **5** or **6** position is a normal setting for average conditions.

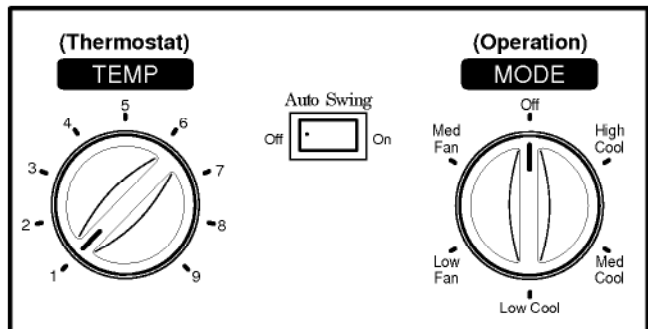


#### • OPERATION(HBLG140/HBLG180)

- OFF : Turns the air conditioner off.
- MED FAN : Permits the medium fan speed operation without cooling.
- LOW FAN : Permits the low fan speed operation without cooling.
- HIGH COOL: Permits cooling with the high fan speed operation.
- MED COOL : Permits cooling with the medium fan speed operation.
- LOW COOL: Permits cooling with the low fan speed operation.

#### • AUTO SWING

- ON : Air swing is operated while OPERATION knob is set to the COOL position.
- OFF : Stops the operation of air swing.



## 1.5.2 COOLING AND HEATING MODEL

### • CAUTION

When the air conditioner has been performing its cooling operation and is turned off or set to the fan position, wait at least 3 minutes before resetting to the cooling operation again.

### • THERMOSTAT

Turn the thermostat control to the desired setting. The control position is a normal setting for average conditions. You can change this setting, if necessary, in accordance with your temperature preference.

The thermostat automatically controls cooling or heating, but the fan runs continuously whenever the air conditioner is in operation. If the room is too warm, turn the thermostat control clockwise. If the room is too cool, turn the thermostat control anticlockwise.

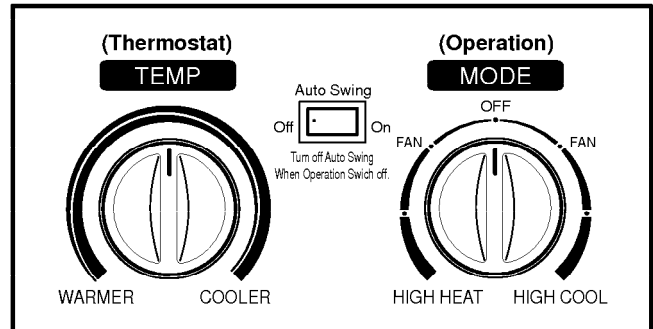
### • OPERATION(HBLG18H)

- OFF : Turns the air conditioner off.
- FAN : Permits the low fan speed operation without cooling (heating).
- LOW COOL : Permits cooling with the low fan speed operation.
- HIGH COOL : Permits cooling with the high fan speed operation.
- LOW HEAT : Permits heating with the low fan speed operation.
- HIGH HEAT : Permits heating with the high fan speed operation.

### • AUTO SWING

- ON : Starts the operation of air swing.
- OFF : Stops the operation of air swing.

- Before you turn the unit off, please press the Auto Swing switch to off.



A slight heat odor may come from the unit when first switching to HEAT after the cooling season is over. This odor, caused by fine dust particles on the heater, will disappear quickly.