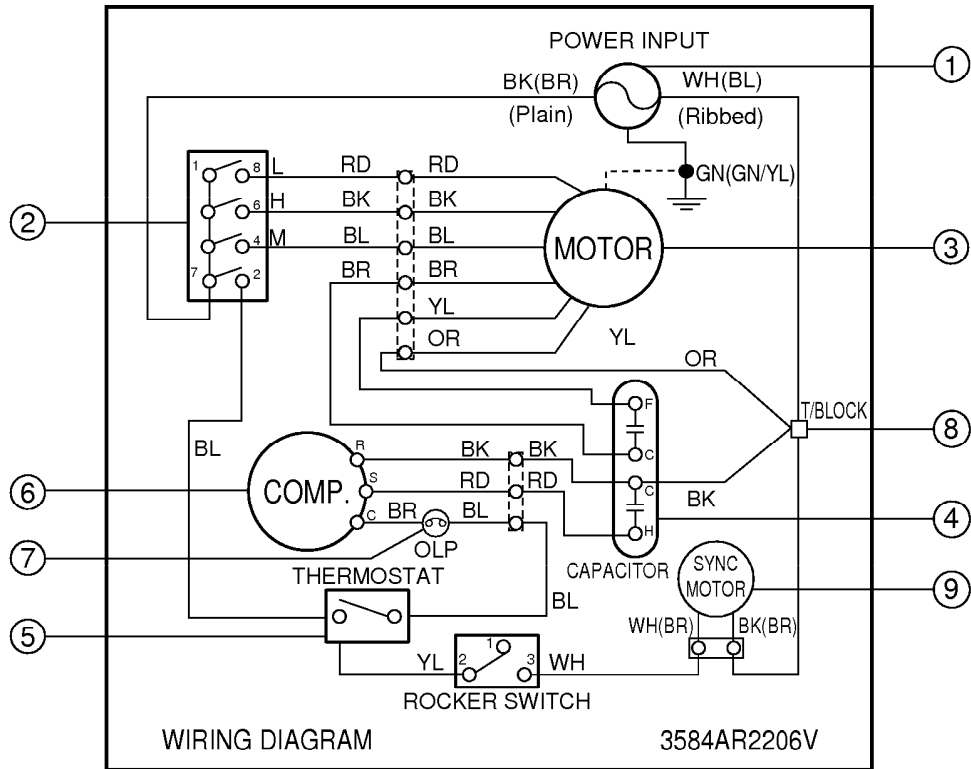


5. SCHEMATIC DIAGRAM

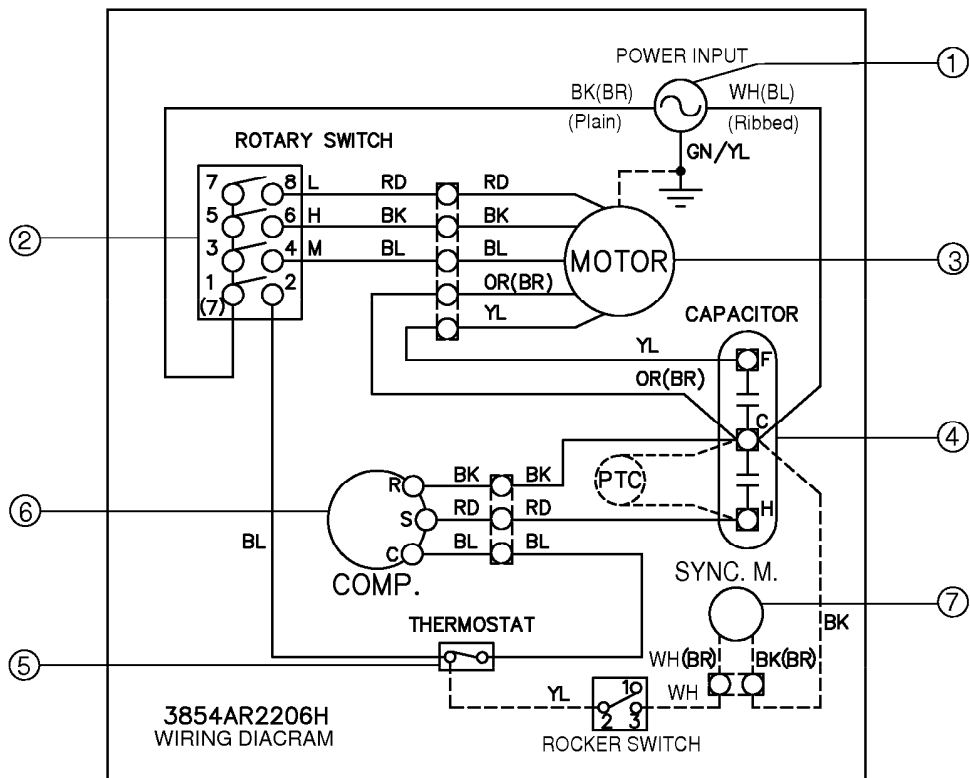
5.1 CIRCUIT DIAGRAM

• MODEL : R1402



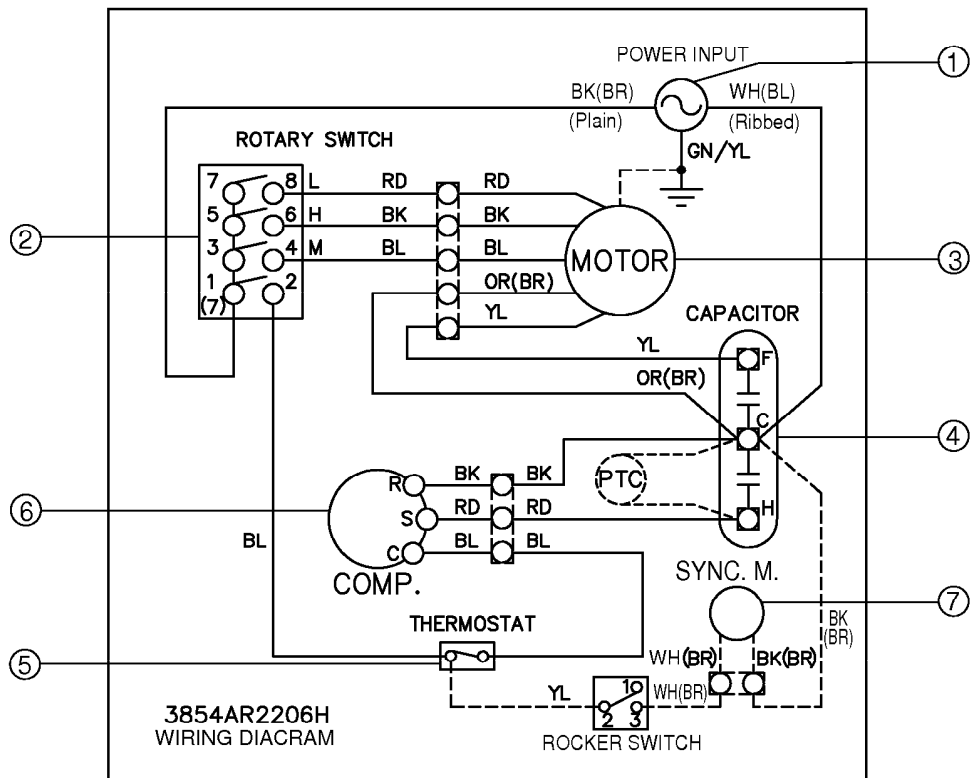
NO.	DESCRIPTION	PART NO.	Q'TY PER SET	RE-MARKS
		R1402		
1	POWER CORD	2H00677S	1	
2	ROTARY SWITCH	2H00598E	1	
3	FAN MOTOR	4681AR6033J	1	
4	CAPACITOR	6120AR2359Q	1	
5	THERMOSTAT	2H01109L	1	
6	COMPRESSOR	5416A20012A	1	
7	OVERLOAD PROTECTOR	6750U-L046A	1	
8	TERMINAL BLOCK	3H00390B	1	
9	SYNCHRONOUS MOTOR	2H01102D	1	

• MODEL : R1802/R2102/R2402



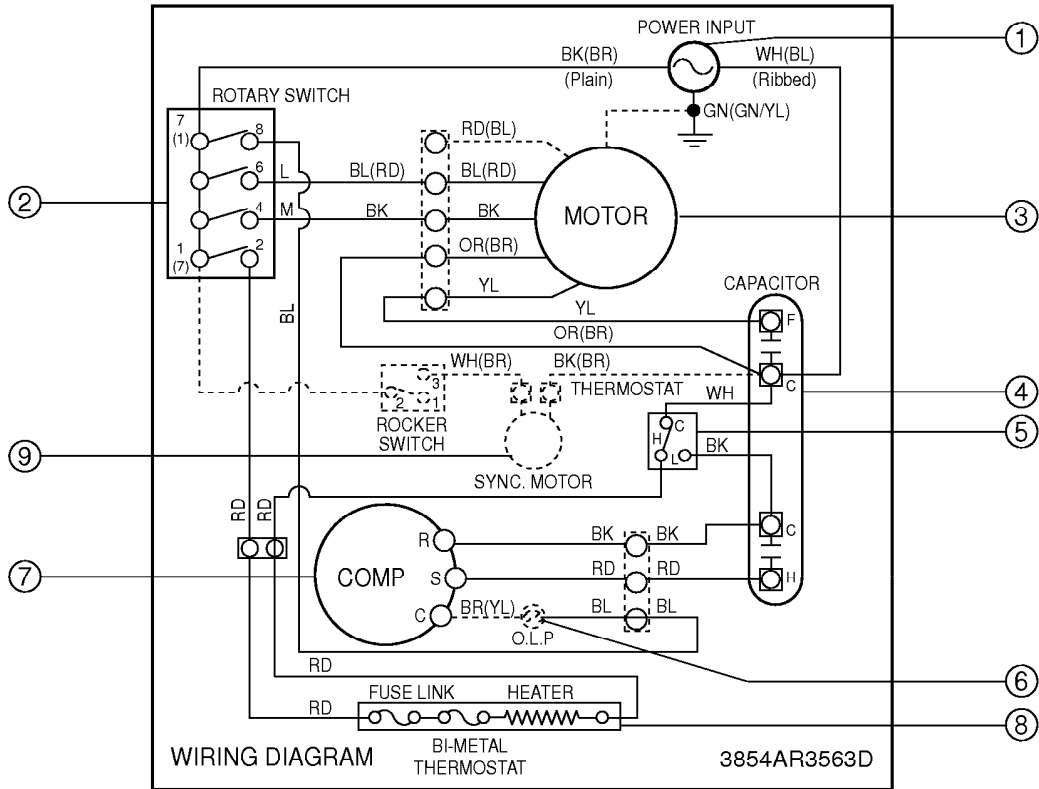
LOCATION NO.	DESCRIPTION	PART NO.			QTY PER SET	RE-MARKS
		R1802	R2102	R2402		
1	POWER CORD	2H00677Q		2H00677U	1	
2	ROTARY SWITCH	2H00598E			1	
3	FAN MOTOR	4681AR6033K	4681AR6033M	4681A20011C	1	
4	CAPACITOR	6120AR2359E	6120AR2194K	6120AR2194Q	1	
5	THERMOSTAT	2H01109L			1	
6	COMPRESSOR	5416A20003J	5416A20013E	5416A20013G	1	
7	SYNCHRONOUS MOTOR	2H01102A			1	

• MODEL : R1803/R2103/R2403



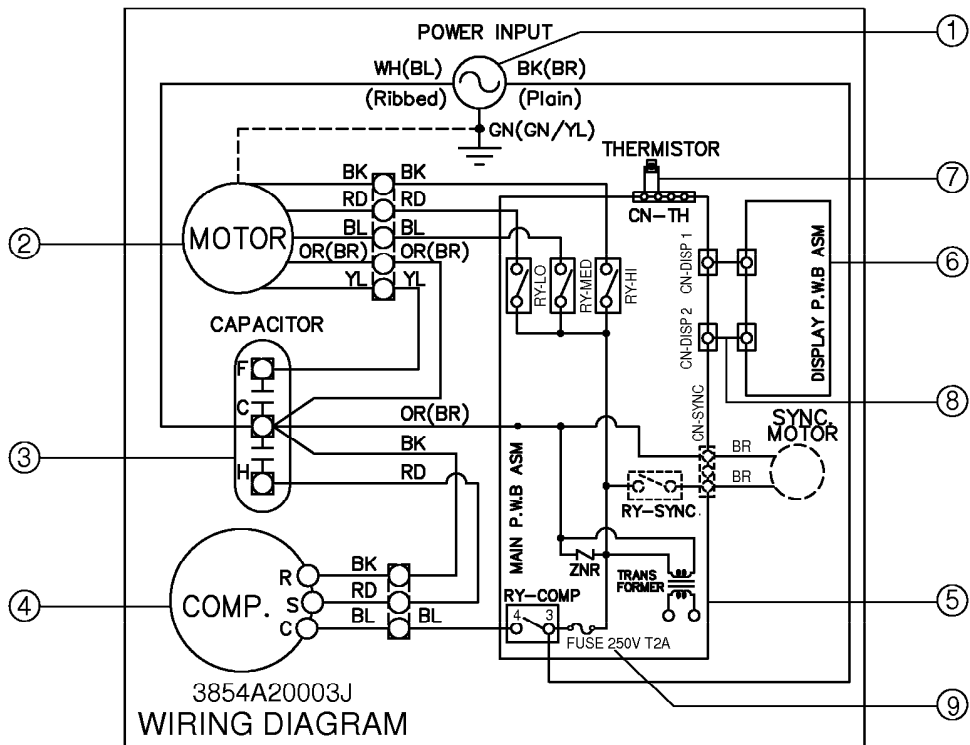
NO.	DESCRIPTION	PART NO.			Q'TY PER SET	RE-MARKS
		R1803	R2103	R2403		
1	POWER CORD	2H00677Q		2H00677U	1	
2	ROTARY SWITCH	2H00598E			1	
3	FAN MOTOR	4681AR6033K	4681AR6033M	4681A20011C	1	
4	CAPACITOR	6120AR2359E	6120AR2194K	0CZZA20001P	1	
5	THERMOSTAT	2H01109L			1	
6	COMPRESSOR	5416A20003J	5416A20013E	5416A20013P	1	
7	SYNCHRONOUS MOTOR	2H01102A			1	

• MODEL :R1801H/R1803H



NO.	DESCRIPTION	PART NO.		Q'TY PER SET	RE-MARKS
		R1801H	R1803H		
1	POWER CORD	2H00677U		1	
2	ROTARY SWITCH	2H00598F		1	
3	FAN MOTOR	4681AR6033B		1	
4	CAPACITOR	6120AR2359E		1	
5	THERMOSTAT	2H01127B		1	
6	OVERLOAD PROTECTOR	-		1	
7	COMPRESSOR	5417AR2256E		1	
8	ELECTRIC HEATER	5300AR1571B		1	
9	SYNCHRONOUS MOTOR	2H01102A		1	

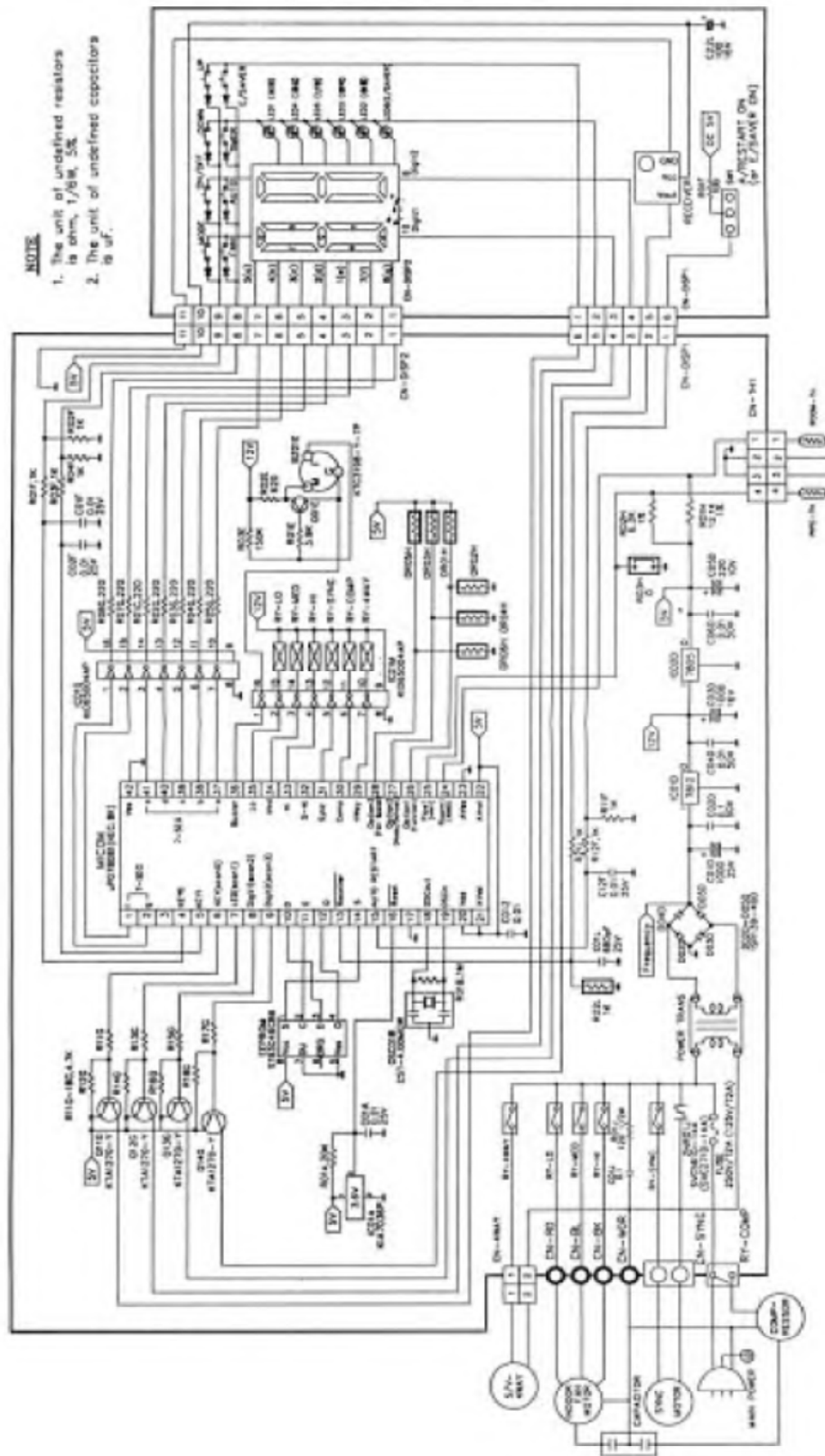
• MODEL :M1802/M1803



NO.	DESCRIPTION	PART NO.		QTY PER SET	RE-MARKS
		M1802	M1803		
1	POWER CORD	2H00677Q		1	
2	FAN MOTOR	4681AR6033K		1	
3	CAPACITOR	6120AR2194D		1	
4	COMPRESSOR	5416A20003J		1	
5	MAIN PWB ASM	6871A20061H	6871A10013E	1	
6	DISPLAY PWB ASM	6871A30005K	6871A20019A	1	
7	THERMISTOR ASM	6323AQ2333K	6323A20003A	1	
8	CONNECTOR	6631AQ3201B		1	
9	FUSE	6900AQ9028H		1	

5.2. ELECTOINC CONTROL DEVICE

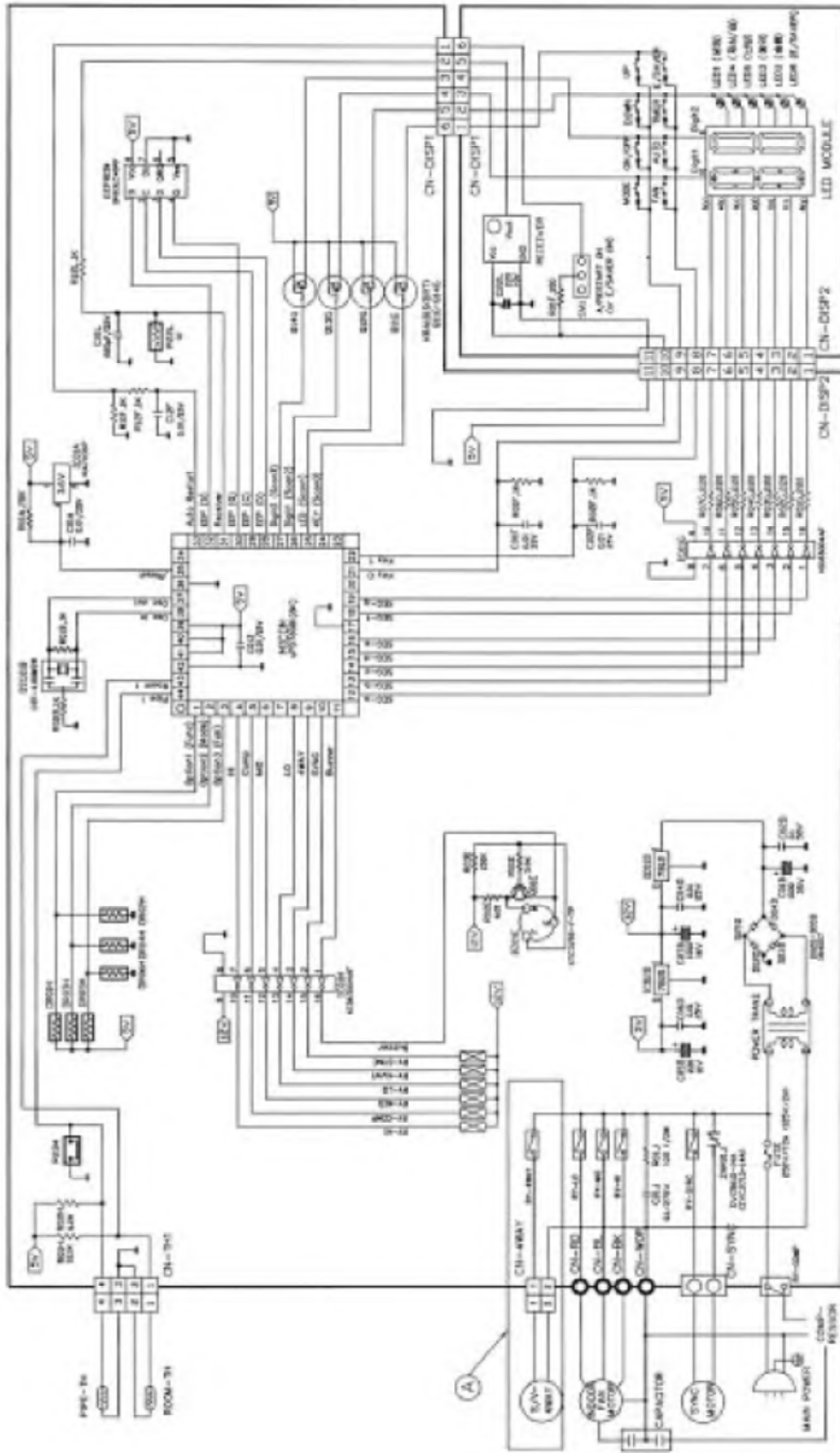
- MODEL : M1802



• MODEL : M1803

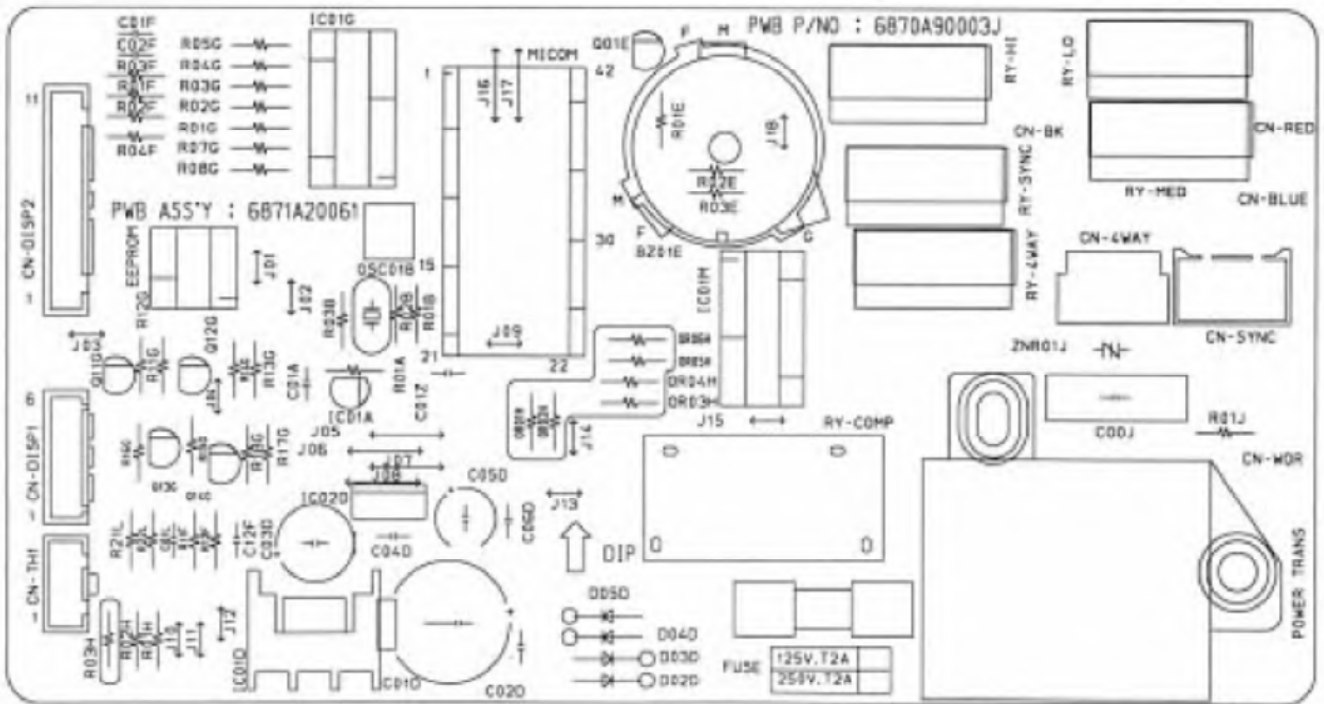
NOTE

1. The unit of undefined resistors is ohm, 1/6W, 5%.
2. The unit of undefined capacitors is uF.

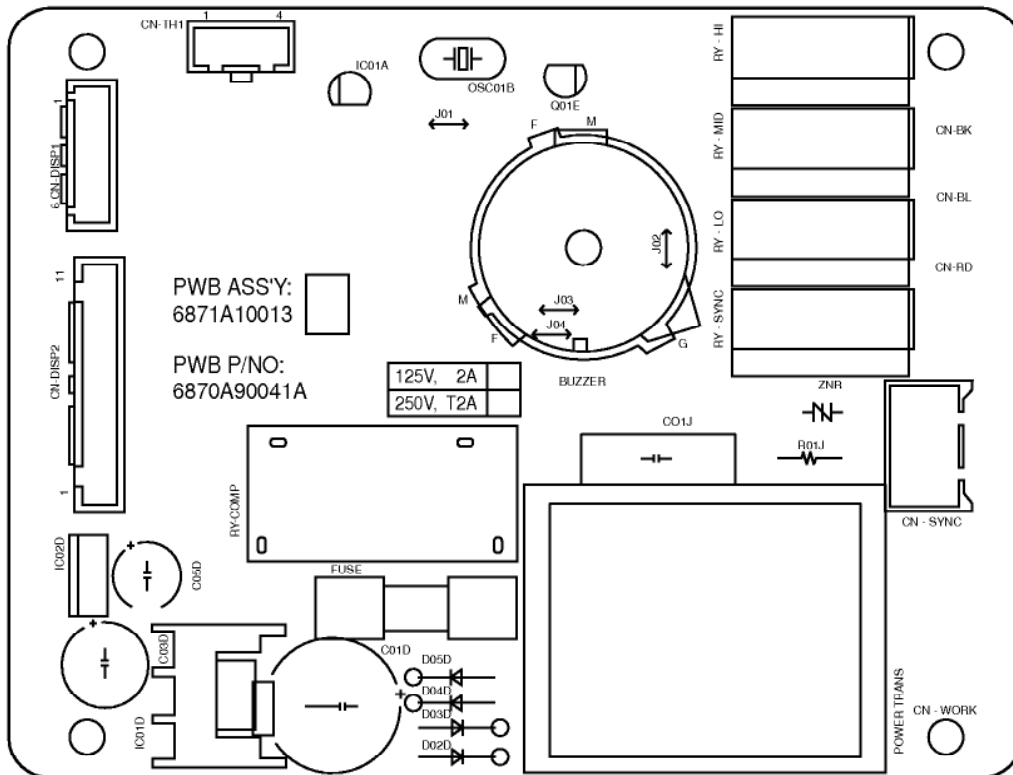


5.3. COMPONENTS LOCATION (FOR MAIN P.C.B ASM)

- MODEL : M1802

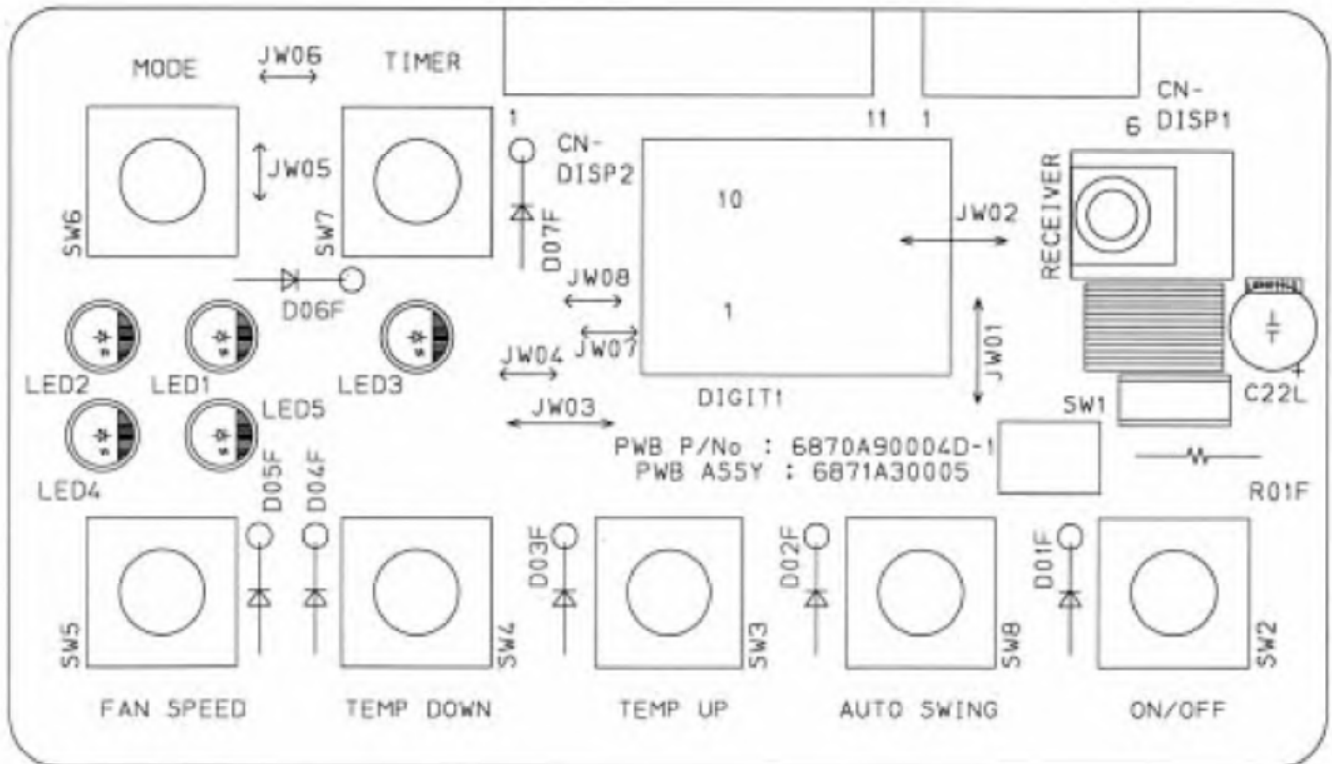


- MODEL : M1803



5.4. COMPONENTS LOCATION (FOR DISPLAY P.C.B ASM)

• MODEL : M1802



• MODEL : M1803

