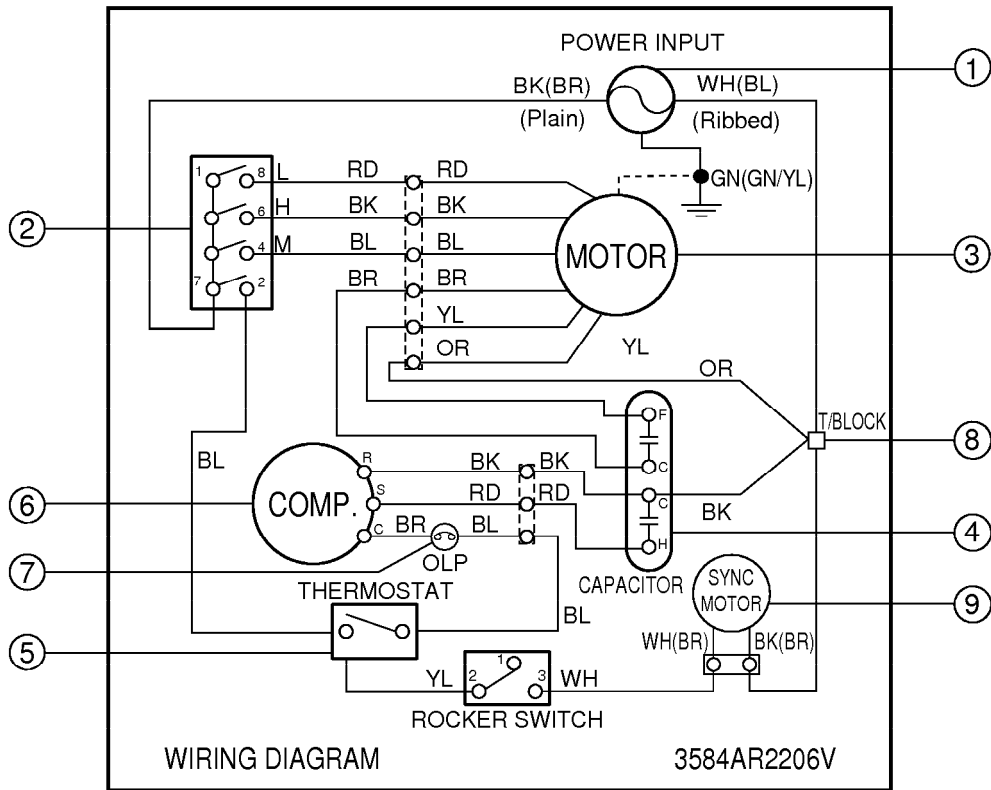


5. SCHEMATIC DIAGRAM

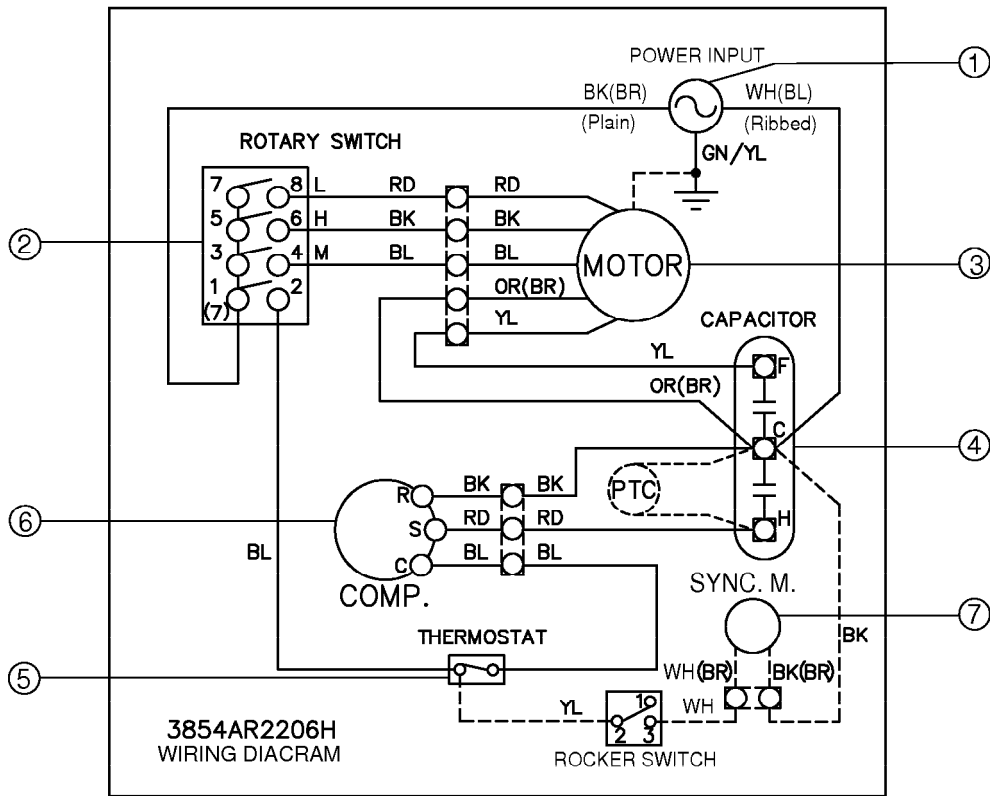
5.1 CIRCUIT DIAGRAM

• MODEL : R1402



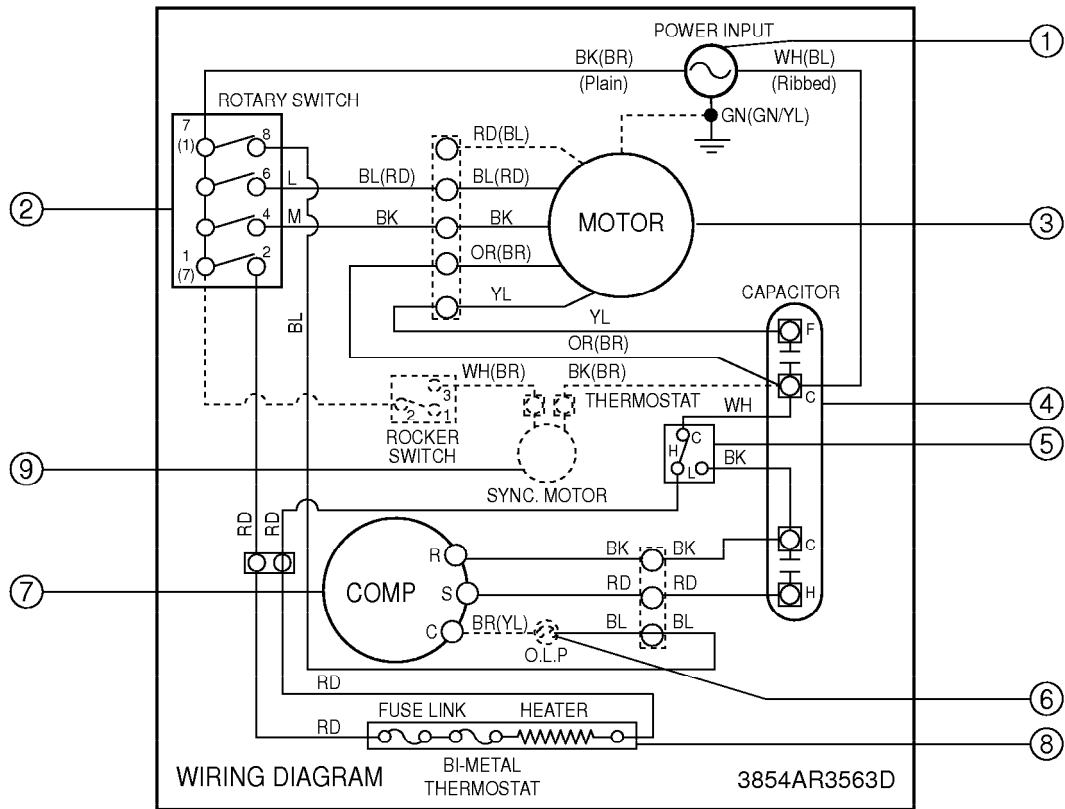
LOCATION NO.	DESCRIPTION	PART NO.	QTY PER SET	RE-MARKS
		R1402		
1	POWER CORD	2H00677S	1	
2	ROTARY SWITCH	2H00598E	1	
3	FAN MOTOR	4681AR6033J	1	
4	CAPACITOR	6120AR2359Q	1	
5	THERMOSTAT	2H01109L	1	
6	COMPRESSOR	5416A20012A	1	
7	OVERLOAD PROTECTOR	6750U-L046A	1	
8	TERMINAL BLOCK	3H00390B	1	
9	SYNCHRONOUS MOTOR	2H01102D	1	

• MODEL : R1802



LOCATION NO.	DESCRIPTION	PART NO.	QTY PER SET	RE-MARKS
		R1802		
1	POWER CORD	2H00677Q	1	
2	ROTARY SWITCH	2H00598E	1	
3	FAN MOTOR	4681AR6033K	1	
4	CAPACITOR	6120AR2359E	1	
5	THERMOSTAT	2H01109L	1	
6	COMPRESSOR	5416A20003J	1	
7	SYNCHRONOUS MOTOR	2H01102A	1	

• MODEL :R1801H



LOCATION NO.	DESCRIPTION	PART NO.	Q'TY PER SET	RE-MARKS
		R1801H		
1	POWER CORD	2H00677U	1	
2	ROTARY SWITCH	2H00598F	1	
3	FAN MOTOR	4681AR6033B	1	
4	CAPACITOR	6120AR2359E	1	
5	THERMOSTAT	2H01127B	1	
6	OVERLOAD PROTECTOR	-	1	
7	COMPRESSOR	5417AR2256E	1	
8	ELECTRIC HEATER	5300AR1571B	1	
9	SYNCHRONOUS MOTOR	2H01102A	1	